

### Features

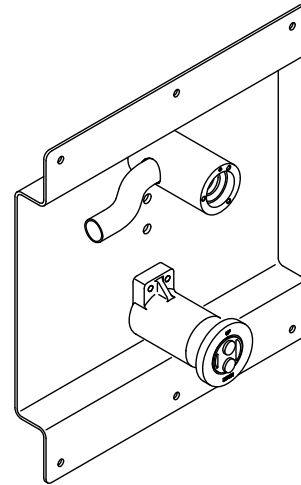
- Required for Purist® and Falling Water® wall-mount touchless faucets
- Insight™ adaptive infrared technology
- 0.5 gpm (1.9 lpm) maximum flow rate
- 30 second maximum cycle time
- Ideal for use with KOHLER vessels
- Includes one 3.6V size C Hybrid energy cell
- Low-lead (SDWA) compliant

### Material

- Brass

### Installation

- Optional spout-mounting location
- Easy installation. Hybrid battery powered. It does not require AC connection



ADA

CSA B651

OBC

### Codes/Standards

ASME A112.18.1/CSA B125.1

NSF/ANSI/CAN 372

ADA

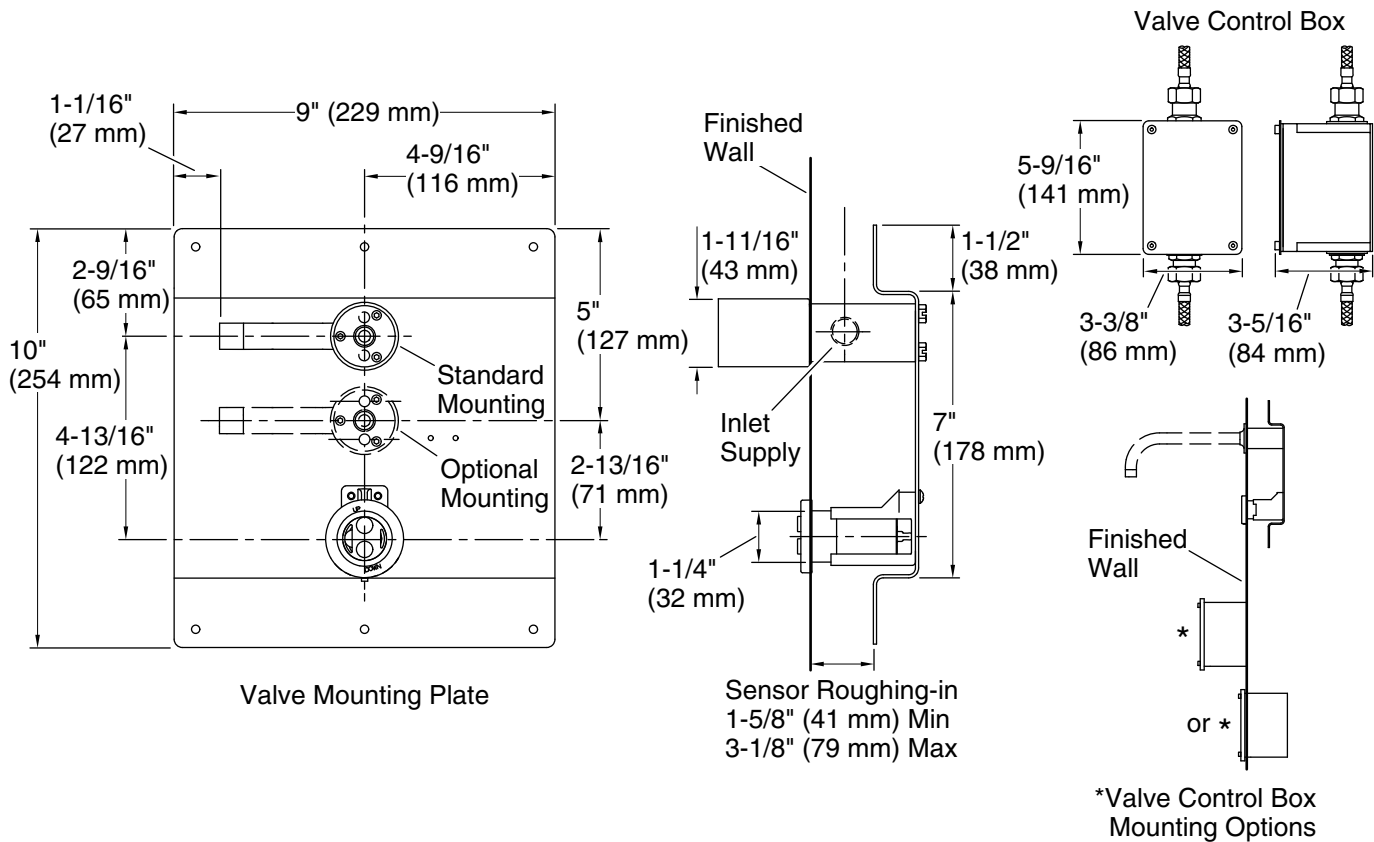
ICC/ANSI A117.1

CSA B651

OBC

### KOHLER® Faucet Lifetime Limited Warranty

See website for detailed warranty information.



### Technical Information

All product dimensions are nominal.

Power source: Hybrid Energy Cell, included

Faucet flow rate: 0.5 gal/min (1.9 l/min)

### Spout:

### Notes

Install this product according to the installation guide.

Reference the installation instructions for specific framing information.

Standard mounting for use with faucet trim: K-T11836, K-T11839, K-T11840, and K-T11841.

Standard or Optional mounting for use with faucet trim: K-T11837 and K-T11838.

ADA, OBC, CSA B651 compliant when installed to the specific requirements of these regulations.