

**SAFETY INFORMATION**

Released Date: 2024-12-18

Please read and understand this entire manual before attempting to assemble, install or operate the product.

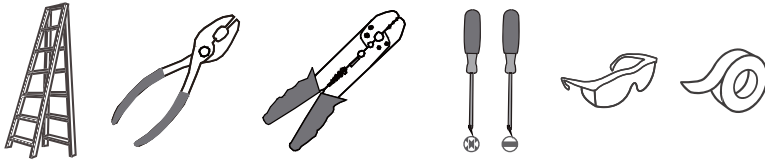
**WARNING**

- RISK OF ELECTRIC SHOCK - Before beginning installation, turn off electricity at the circuit breaker box or the main fuse box.
- RISK OF FIRE - Use bulbs specified by the markings and/or labels on the fixture.

**CAUTION**

- For your safety, read instructions completely before beginning installation.
- If in doubt about electrical installation, consult a licensed electrician.
- Turn off electricity to fixture and allow the bulbs to cool before replacing the bulb(s). When using an LED bulb, use a bulb specified for an enclosed space.
- Do not touch the bulb with bare hands use a cloth or glove.

**TOOLS REQUIRED**

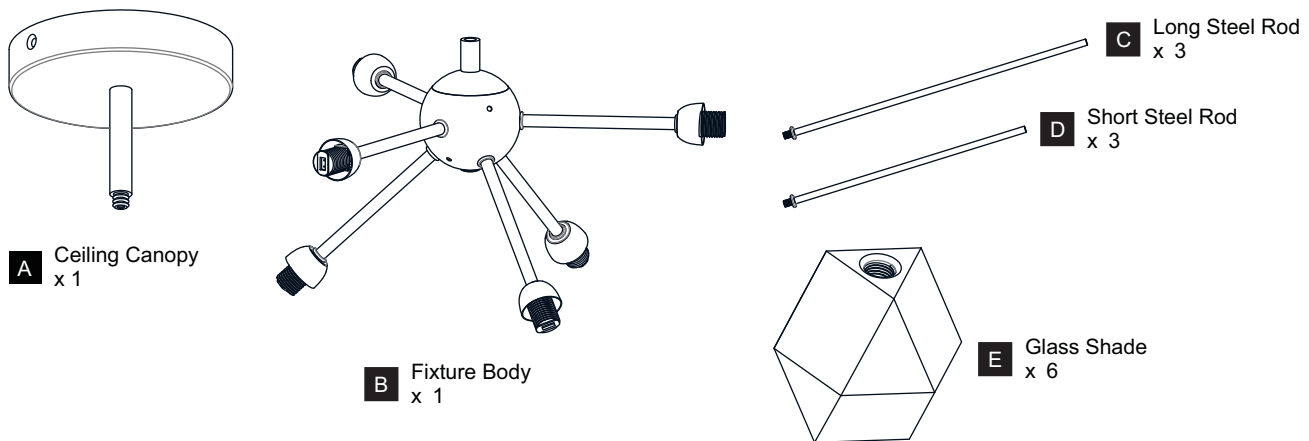


**CARE AND MAINTENANCE**

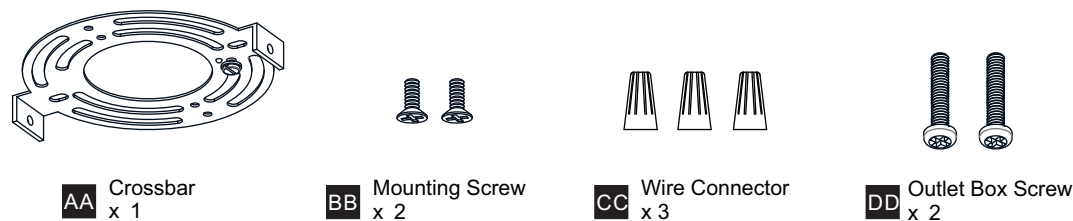
- Wipe clean using soft, dry cloth or static duster. Always avoid using harsh chemicals and abrasives to clean fixture as they may damage the finish.

If you need further assistance call Quozel Customer Care at 1-800-645-3184 (9:00am - 5:00pm EST), or visit us on-line at [www.quezel.com](http://www.quezel.com).

**PACKAGE CONTENTS**

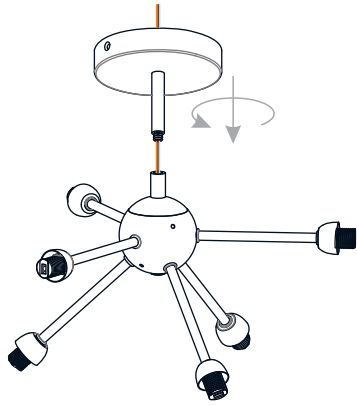


**MOUNTING HARDWARE**

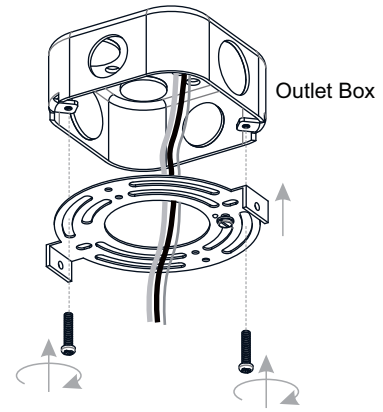


# INSTALLATION

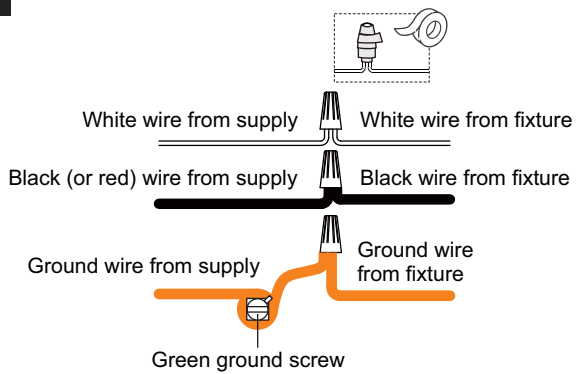
## 1 Install Rods to Fixture Body



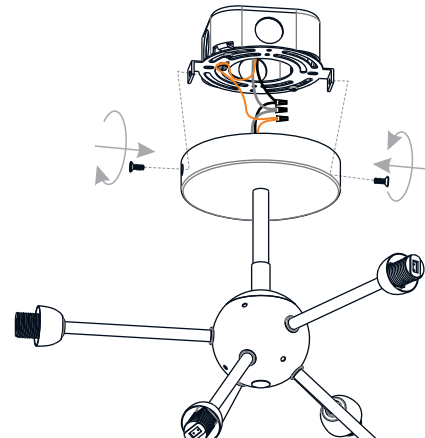
## 2 Install Crossbar



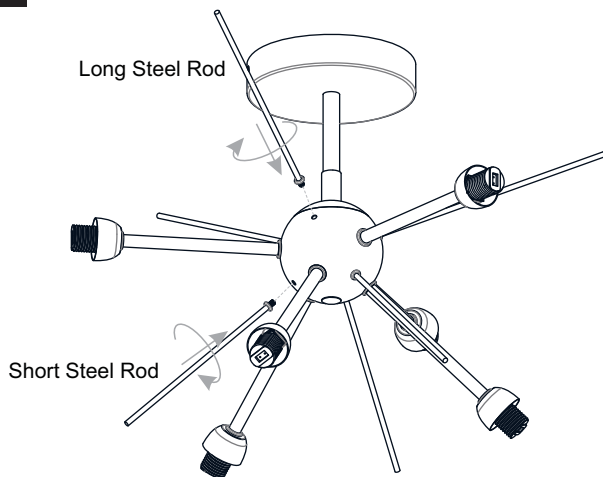
## 3 Wiring



## 4 Install Fixture to Crossbar



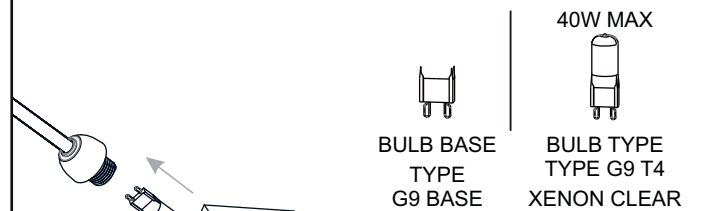
## 5 Install Steel Rods



## 6 Install G9 Bulbs and Glass Shades

Install six correct bulbs referring to fixture markings and/or labels for maximum wattage.

**Recommended Bulb type (not included):**



**NOTE:**

- When using an LED bulb, use a bulb specified for an enclosed space.
- Do not touch the bulb with bare hands use a cloth or glove.

Your installation is now complete! Restore electricity and save this sheet for future reference.