

INVISILED® PRO 2

24V LED Tape Light



Fixture Type:

Catalog Number:

Project:

Location:

PRODUCT DESCRIPTION

Ideal for task or accent lighting, InvisILED Pro 2 is a high-performing and modern light system that provides flexible, eco-friendly, and dimmable illumination. Offering three different mounting options, including the 3M construction adhesive on the back for peeling and sticking, enables it to be used in cabinets, counter tops, and coves. 80,000 hours of rated life ensures longevity and a high lumens output.

FEATURES

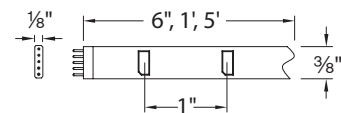
- Can be field cut, male to male adapter required to re-use female side
- Ultra thin profile at 1/8"
- Diodes spaced evenly at 1" on center
- Minimum run length of 1'
- May be field cut every 6" at the end of a run
- Three (3) mounting method provided for different surfaces
- Specially rated for installation in the storage area of a clothes closet
- 80,000 hour rated life
- 5 year WAC Lighting product warranty

SPECIFICATIONS

- Construction:** Flexible silicone cased tape light, peel and stick 3M construction adhesive on back, indicating marks for field cutting.
- Light Source:** 12 LEDs per foot output, Runs on 24V at 4W per foot
- Operating Temp:** -4°F – 122°F (-20°C – 50°C) at relative humidity 95%
- Standards:** UL & cUL Listed for Damp Locations

ORDER NUMBER – TAPE SECTION

Model	Watts/ft	Color Temp	CRI	Lumens/ft	Title 24	Length	Qty	Tape Color
LED-TX24 4	22	2200K	90	275	No	6IN 6 inches	1	WT White
	27	2700K	90	325	Yes		1	
	30	3000K	90	300	Yes		1	
	35	3500K	90	330	Yes		40	
	45	4500K	85	330	No		1	

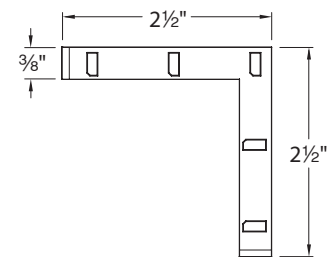


LED-TX24 ___ - ___ **-WT**

Example: **LED-TX2445-1-40-WT**

ORDER NUMBER – 5 LED "L" CONNECTOR

Model	Watts/ft	Color Temp	CRI	Lumens/ft	Title 24	Tape Color
LED-TX24 2	22	2200K	90	110	No	5L-WT White
	27	2700K	90	130	Yes	
	30	3000K	90	130	Yes	
	35	3500K	90	135	Yes	
	45	4500K	85	135	No	



LED-TX24 ___ **-5L-WT**

Example: **LED-TX2435-5L-WT**



wacighting.com	Headquarters, East Manufacturing Facility	South East Manufacturing Facility	Central Manufacturing Facility	West Manufacturing Facility
Phone (800) 526.2588	44 Harbor Park Drive	1600 Distribution Ct	1700 South J Elmer Freeway, Ste 100	1750 S Archibald Ave
Fax (800) 526.2585	Port Washington, NY 11050	Lithia Springs, GA 30122	Cedar Hill, TX 75104	Ontario, CA 91761

INVISILED® PRO 2

24V LED Tape Light

WAC

CLASS 2 POWER SUPPLY (REQUIRED)

Model		Input	Output	Max Run	Dimming	Description
	EN-2460-RB2-T EN-24100-RB2-T	<i>Remote</i>	120VAC 120VAC	24VAC / 60W 24VAC / 96W	15' 25'	100%-5% ELV UL Class 2 output.
	PS-24DC-U60R-T PS-24DC-U96R-T	<i>Remote</i>	120-277VAC	24VDC / 60W 24VDC / 96W	15' 25'	100%-5% ELV, TRIAC Includes a 6' lead wire. UL Class 2 output.
	PS-24DC-U3X96R-T	<i>Remote</i>	120-277VAC	24VDC / 3 X 96W	25' per output	100%-5% ELV, TRIAC, 0-10V Includes a 6' lead wire. Overload and short circuit protection.
	EN-24100-277-RB2-T	<i>Remote</i>	277VAC	24VDC / 96W	25'	100%-5% 0-10V Includes a 6' lead wire. UL Class 2 output.
	EN-2460-P-AR-T EN-24100-P-AR-T	<i>Plug-in</i>	120VAC 120VAC	24VAC / 60W 24VAC / 96W	15' 25'	Non Dimmable Includes a 6' lead wire. UL Class 2 output.
	EN-D24100-120-R	<i>Wall Dimmer + Driver</i>	120VAC	24VDC / 96W	25'	<i>Integral</i> • UL Class 2 Output
	EN-D24060-120-R EN-D24096-120-R	<i>Wall Dimmer + Driver</i>	120VAC	24VDC / 60W 24VDC / 96W	15' 25'	<i>Integral</i> • LED Driver & In-Wall Dimmer Switch in one unit, fits in a standard recessed electrical box. • Adjustable voltage output dial to address voltage drop. • White face plate only (nonexchangeable).

wacighting.com

Phone (800) 526.2588

Fax (800) 526.2585

Headquarters, East Manufacturing Facility

44 Harbor Park Drive

Port Washington, NY 11050

South East Manufacturing Facility

1600 Distribution Ct

Lithia Springs, GA 30122

Central Manufacturing Facility

1700 South J Elmer Freeway, Ste 100

Cedar Hill, TX 75104

West Manufacturing Facility

1750 S Archibald Ave



Ontario, CA 91761

INVISILED® PRO 2



24V LED Tape Light



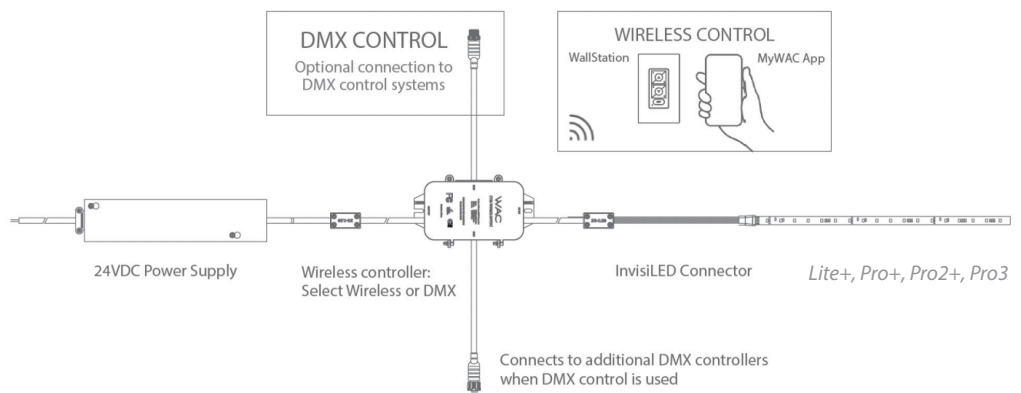
CONTROLLER

	MODEL	Input	Output	Dimension	
	CT-6A-R2	12/24 VAC/DC			Touch Panel and Motion Sensor Includes a Touch Panel, Occupancy Sensor and a Controller. AC/DC input at 24V(96W Max). Connect on secondary side of power supply
	IR-96-24VACDC-WT IR-96-24VACDC-BK	24 VAC/DC		White Black	IR Sensor IR (Infrared sensors switch works by turning the lights on when it becomes unobstructed).

SMART CONTROLLER

	MODEL	Input	Output	Dimension	
	LED-WCT-WT	120-230VAC	N/A	4 5/8" x 2 3/4" x 1 3/8"	WallStation - Multi-scene selection - Raise/Lower, dedicated Off button - Suitable for standard single NEMA wall box Setup and configuration via MyWAC mobile application - no physical adjustment needed - cUL listed
	CT-96-SM				InvisiLED® Smart Home Kit Transform your interiors with the InvisiLED® Smart Home Kit, designed exclusively for InvisiLED Lite+, Pro+, Pro2+ and Pro 3 Tape. Control your LED tape seamlessly via Wi-Fi using the MyWAC app with devices you already own, including Amazon Alexa and Google Home. Offers on/off activation and up/down dimming capability for 24VDC systems and high-output tape lighting applications. Or use DMX to control your popular control platforms. Includes a 96W 24VDC Power Supply (EN-24DC096-UNV-RB2), wireless controller (CTR-WDMX-24VDC) and a ready-to-connect lead wire with an InvisiLED Connector (LED-TC-B-2-WT)

EXAMPLE INSTALLATION FOR WIRELESS AND DMX CONTROL



INVISILED® PRO 2

24V LED Tape Light



INDOOR ELECTRICAL ACCESSORIES

	Model	Dimension	Finish	Description
	LED-TC-WEXT-144	12'	Black	In Wall Rated Extension Cable Extends distance between a hard wired power supply or a wiring box to a tape section.
	LED-TC-WEXT-144-WT	12'	White	
	LED-TC-WEXT-240	20'	Black	
	LED-TC-WEXT-240-WT	20'	White	
	LED-TC-WIC-144	12'	Black	In Wall Rated Joiner Cable Connects tape sections. 2 female ends. 1 male to male connector included.
	LED-TC-WIC-144-WT	12'	White	
	LED-TC-WIC-240	20'	Black	
	LED-TC-WIC-240-WT	20'	White	
	LED-TC-P-2	2'	Black	Lead Wire Alternative lengths for plug-in power supplies.
	LED-TC-P-2-WT	2'	White	
	LED-TC-P-12	12'	Black	
	LED-TC-P-12-WT	12'	White	
	LED-TC-EXT-144	12'	Black	Extension Cable Extends distance between a hard wired power supply or a wiring box to a tape section.
	LED-TC-EXT-144-WT	12'	White	
	LED-TC-B-2	L: 1½" W: ¾" H: ⅞"	Black	Low Voltage Wiring Box With Feed Neatly houses connections for up to two wires with 12" female feed.
	LED-TC-B-2-WT		White	
	LED-T-B	L: 1½" W: ¾" H: ⅞"	White	Low Voltage Wiring Box Neatly houses connections for up to two wires.
	TB-S	L: 6¼" W: 1⅝" H: 1¼"	White	Wiring Box With Switch Use when spanning a large gap in a system layout without leaving exposed wiring. Optional switch included.
	Model	Dimension	Finish	Description
	LED-TC-IC2	2"	Black	Joiner Cable Connects tape sections.
	LED-TC-IC2-WT	2"	White	
	LED-TC-IC6	6"	Black	
	LED-TC-IC6-WT	6"	White	
	LED-TC-IC12	12"	Black	
	LED-TC-IC12-WT	12"	White	
	LED-TC-IC36	36"	Black	
	LED-TC-IC36-WT	36"	White	
	LED-TC-IC72	72"	Black	
LED-TC-IC72-WT	72"	White		
	LED-TC-MM		Black	Connector. Male to male connector (pack of 50). Change directionality of tape runs and reuse cut ends of tape.
	Model		Finish	Description
	LED-TC-Y		Black	3-Way "Y" Connector Connects tape sections.
	LED-TC-Y-WT		White	
	LED-TC-X		Black	4-Way "X" Connector Connects tape sections.
	LED-TC-X-WT		White	
	LED-TC-L		Black	"L" Connector Connects tape sections.
	LED-TC-L-WT		White	
	LED-TC-EC		Black	End Cap 1 cut and 1 male end cap.
	LED-TC-EC-WT		White	
	T24-OD-SW60	5 ft	Black	DMX Joiner Cable - Satellite Connect between CTR-WDMX-24VDC Master to Satellite
	T24-OD-SW120	10 ft		
	T24-OD-MW60	5 ft	Black	DMX Joiner Cable - Universe Connect between DMX Universe to CTR-WDMX-24VDC
	T24-OD-MW120	10 ft		

wacighting.com
Phone (800) 526.2588
Fax (800) 526.2585

Headquarters, East Manufacturing Facility
44 Harbor Park Drive
Port Washington, NY 11050

South East Manufacturing Facility
1600 Distribution Ct
Lithia Springs, GA 30122

Central Manufacturing Facility
1700 South J Elmer Freeway, Ste 100
Cedar Hill, TX 75104

West Manufacturing Facility
1750 S Archibald Ave
Ontario, CA 91761

INVISILED® PRO 2

Trimless Recessed Slim Channel



InvisILED Pro 2 tape



- Installs within 5/8" drywall depth
- Linear channel can be field cut
- Accommodates either one or two runs of InvisILED Pro 2 tape
- Includes a frosted acrylic diffuser

8FT LINEAR CHANNEL LED-T-RCH4-WT

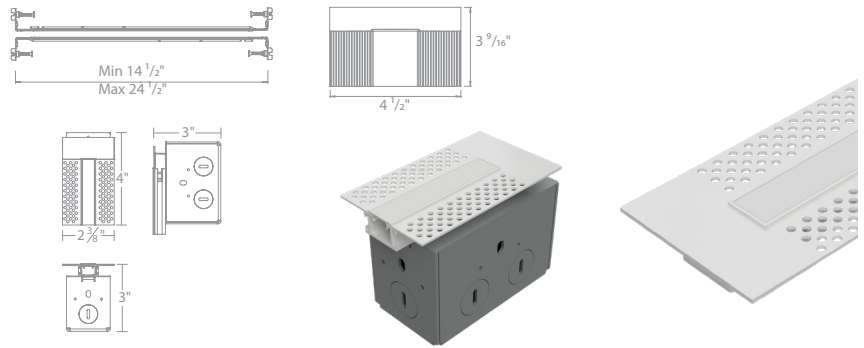
Includes: 1 frosted diffuser
8 perforated metal sheets



POWER FEED LED-T-RBOX4-WT

The end cap may be placed on either side.
Hanger bars may be installed on any side of the wiring box.

- Includes:** 1 wiring box
2 hanger bars
2 end caps
2 channel connectors
1 counter sink drill bit
1 drill bit
2 power to tape connectors



Trimmed Recessed Slim Channel

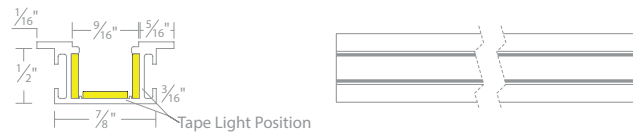
InvisILED Pro 2 tape



- Installs within 5/8" drywall depth
- Linear channel can be field cut
- Accommodates either one or two runs of InvisILED Pro 2 tape
- Includes a frosted acrylic diffuser

8FT LINEAR CHANNEL LED-T-RCH5-BK LED-T-RCH5-WT LED-T-RCH5-AL

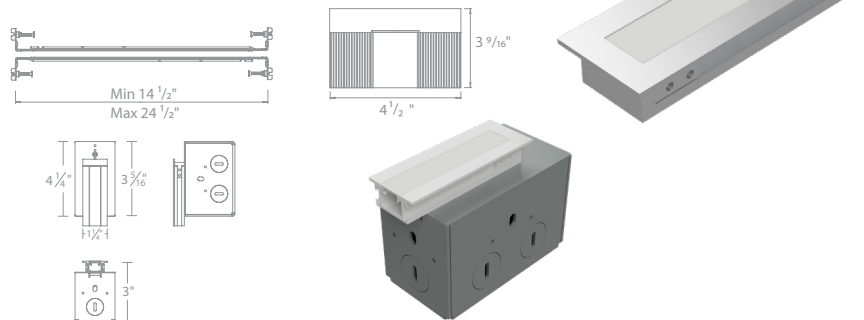
Includes: 1 frosted diffuser
8 perforated metal sheets



POWER FEED LED-T-RBOX5-BK LED-T-RBOX5-WT LED-T-RBOX5-AL

The end cap may be placed on either side.
Hanger bars may be installed on any side of the wiring box.

- Includes:** 1 wiring box
2 hanger bars
2 end caps
2 channel connectors
1 counter sink drill bit
1 drill bit
2 power to tape connectors

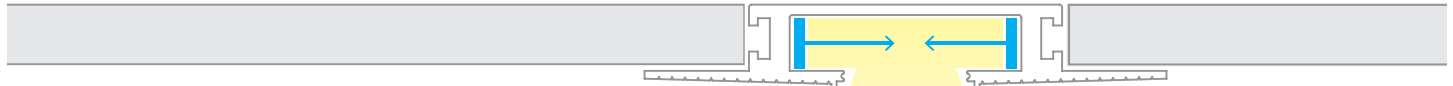


INVISIBLE® PRO 2

Symmetrical Recessed Channel

WAC

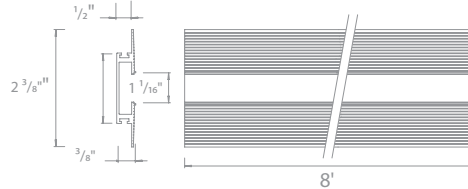
InvisiLED Pro 2 tape



- Installs within 5/8" drywall depth
- Linear channel can be field cut
- Accommodates either one or two runs of InvisiLED Pro 2 tape
- Includes a translucent white acrylic diffuser
- Dense foam insert to be removed in installation after spackling

8FT LINEAR CHANNEL LED-T-RCH1-WT

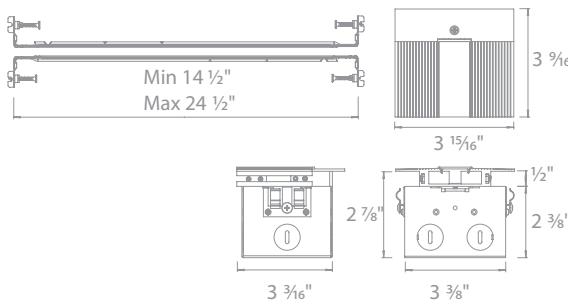
Includes: 1 diffuser
8 perforated metal sheets



POWER FEED LED-T-RBOX1-WT

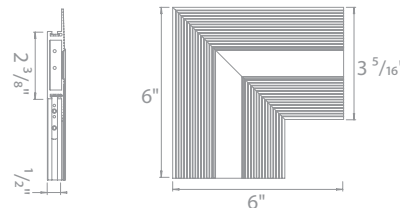
The end cap may be placed on either side.
Hanger bars may be installed on any side of the wiring box.

- Includes: 1 wiring box
2 hanger bars
4 five-pin InvisiLED® adapters
2 end caps
1 diffuser
2 channel connectors
1 counter sink drill bit
1 drill bit
1 installation tool



LATERAL CORNER LED-T-CTC1-WT

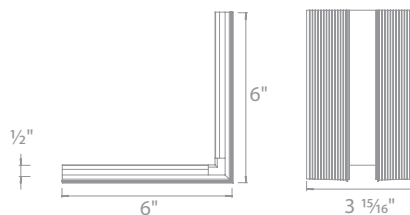
- Includes: 1 diffuser
2 channel connectors
2 perforated metal sheets



PERPENDICULAR CORNER LED-T-WTC1-WT

Transitions between walls or wall to ceiling

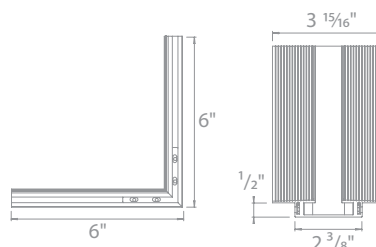
- Includes: 1 diffuser
2 channel connectors
2 perforated metal sheets



OUTSIDE CORNER LED-T-WTW1-WT

Transitions around columns, bump outs, or soffits

- Includes: 1 diffuser
2 channel connectors
2 perforated metal sheets



wacighting.com

Phone (800) 526.2588

Fax (800) 526.2585

Headquarters, East Manufacturing Facility

44 Harbor Park Drive

Port Washington, NY 11050

South East Manufacturing Facility

1600 Distribution Ct

Lithia Springs, GA 30122

Central Manufacturing Facility

1700 South J Elmer Freeway, Ste 100

Cedar Hill, TX 75104

West Manufacturing Facility

1750 S Archibald Ave

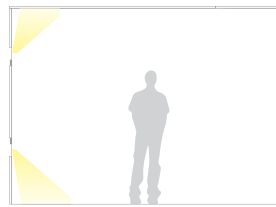
Ontario, CA 91761

INVISILED® PRO 2

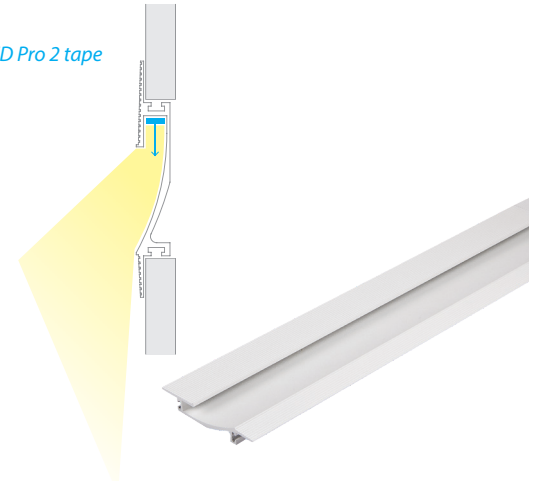
Asymmetrical Recessed Channel

WAC

- Installs within $\frac{5}{8}$ " drywall depth
- Linear channel can be field cut
- Accommodates one run of InvisILED Pro 2 tape
- Dense foam insert to be removed in installation after spackling
- Recommended installation within 15 inches of surface to be illuminated

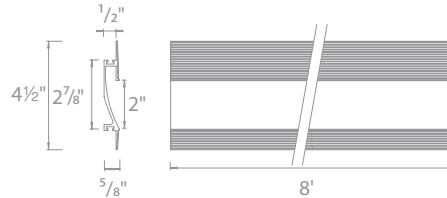


InvisILED Pro 2 tape



8FT LINEAR CHANNEL LED-T-RCH2-WT

Includes: 8 perforated metal sheets
2 channel connectors

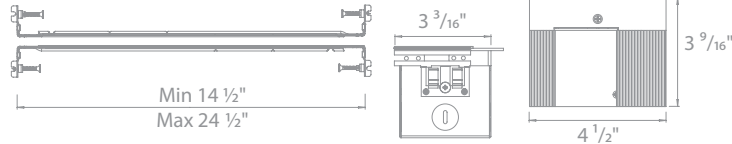


POWER FEED

LED-T-RBOX2-WT

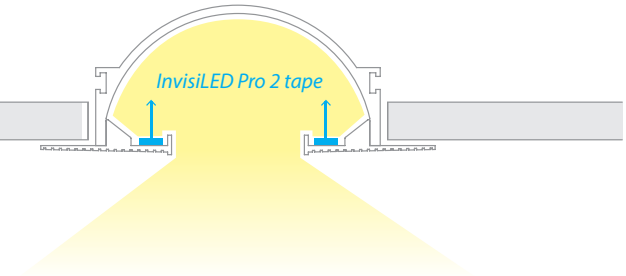
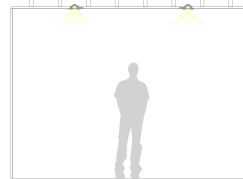
The end cap may be placed on either side. Hanger bars may be installed on any side of the wiring box.

- Includes: 1 wiring box
2 hanger bars
2 five-pin InvisILED® adapters
2 end caps (left and right)
2 channel connectors
1 counter sink bit
1 drill bit



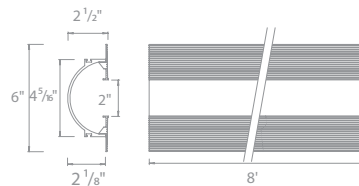
Indirect Recessed Slim Channel

- Linear channel can be field cut
- Dense foam insert to be removed in installation after spackling
- Allows option to use different color InvisILED Pro 2 tape in one channel and switch them separately



8FT LINEAR CHANNEL LED-T-RCH3-WT

Includes: 10 perforated metal sheets
2 channel connectors

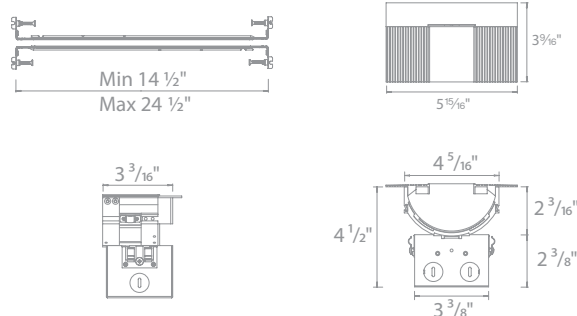


POWER FEED

LED-T-RBOX3-WT

The end cap may be placed on either side.
Hanger bars may be installed on any side of the wiring box.

- Includes: 1 wiring box
2 hanger bars
4 five-pin InvisILED® adapters
1 end cap
2 channel connectors
1 counter sink bit
1 drill bit



wacighting.com

Phone (800) 526.2588

Fax (800) 526.2585

Headquarters, East Manufacturing Facility

44 Harbor Park Drive

Port Washington, NY 11050

South East Manufacturing Facility

1600 Distribution Ct

Lithia Springs, GA 30122

Central Manufacturing Facility

1700 South J Elmer Freeway, Ste 100

Cedar Hill, TX 75104

West Manufacturing Facility

1750 S Archibald Ave

Ontario, CA 91761

INVISILED® PRO 2

Angled Recessed Channel



InvisiLED Pro 2 tape



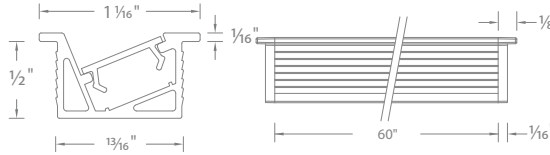
- Recessed asymmetrical distribution provides a clean wash of illumination
- Linear channel can be field cut
- Accommodates one run of InvisiLED Pro 2 tape
- Includes a frosted acrylic diffuser

5FT LINEAR CHANNEL

LED-T-CH6-BK
LED-T-CH6-WT
LED-T-CH6-AL

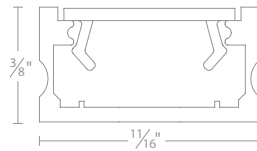
ADDITIONAL END CAPS

LED-T-CH6-EC-BK
LED-T-CH6-EC-WT
LED-T-CH6-EC-AL



Includes: 1 frosted diffuser
2 end caps

Indoor Aluminum Channels



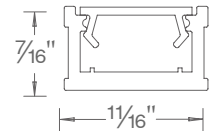
SHALLOW ALUMINUM CHANNEL

LED-T-CH5-BK
LED-T-CH5-WT
LED-T-CH5-AL

ADDITIONAL END CAPS

LED-T-CH5-EC-BK
LED-T-CH5-EC-WT
LED-T-CH5-EC-AL

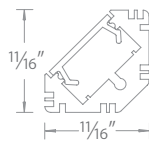
Includes a diffuser, 2 end caps, and 5 screws.



ALUMINUM CHANNEL ADDITIONAL END CAPS

LED-T-CH 5'
LED-T-CH-EC 2 pcs

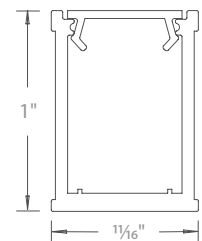
Diffuses light from Gemini tape.
Includes a diffuser, 2 end caps, and 5 screws.



45° ANGLED ALUMINUM CHANNEL ADDITIONAL END CAPS

LED-T-CH2 5'
LED-T-CH2-EC 2 pcs

Includes a diffuser, 2 end caps, and 5 screws.



DEEP ALUMINUM CHANNEL ADDITIONAL END CAPS

LED-T-CH1 5'
LED-T-CH1-EC 2 pcs

Eliminates visible hot spots.
Includes a diffuser, 2 end caps, and 5 screws.

wacighting.com

Phone (800) 526.2588

Fax (800) 526.2585

Headquarters, East Manufacturing Facility

44 Harbor Park Drive

Port Washington, NY 11050

South East Manufacturing Facility

1600 Distribution Ct

Lithia Springs, GA 30122

Central Manufacturing Facility

1700 South J Elmer Freeway, Ste 100

Cedar Hill, TX 75104

West Manufacturing Facility

1750 S Archibald Ave

Ontario, CA 91761

INVISILED® PRO 2

Indoor Mounting Accessories



ALUMINUM RETROFIT CHANNEL LED-T-RC 3 feet



ADJUSTABLE CHANNEL CLIP LED-T-CL2-PT

Includes 2 pieces, 4 screws. Used to mount Aluminum Channel. Adjust 50° from center either way.



FIXED ANGLE CHANNEL CLIP LED-T-CL3-PT



Clip LED-T-CL **Curve Clip** LED-T-CL1

For surfaces that are difficult to adhere. Includes: 10 pcs plastic clips and 10 pcs screws. Compatible with InvisiLED Lite+, Pro+ and Pro2+ only.

Clips to hold indoor InvisiLED tapes sections. Includes: 10 pcs plastic clips and 10 pcs screws. Compatible with InvisiLED Lite+, Pro+ and Pro2+ only

Optical Channels and Lens Accessories



FROSTED DIFFUSER LED-T-CH5-COV-FR 5'
LED-T-CH8-COV-FR 8'

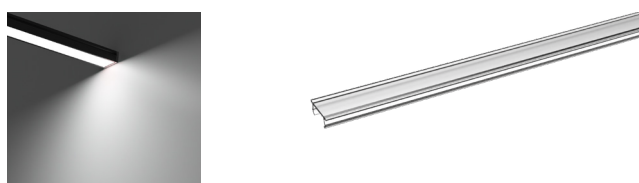
Standard diffuser included with channel.



SPOT OPTIC DEEP CHANNEL LED-T-CH3-SP 5'
ADDITIONAL END CAPS LED-T-CH1-EC 2 pcs

Eliminates visible hot spots. Includes a diffuser, 2 end caps, and 5 screws.

Spot 9° Beam Angle



SEMI-CLEAR DIFFUSER LED-T-CH5-COV-SF 5'
LED-T-CH8-COV-SF 8'

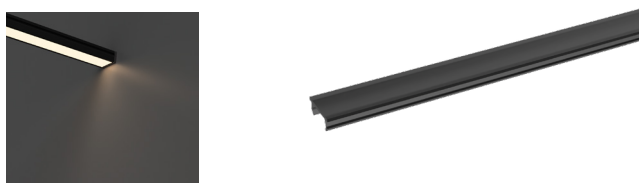
Optional diffuser available, order separately.



FLOOD OPTIC DEEP CHANNEL LED-T-CH3-FL 5'
ADDITIONAL END CAPS LED-T-CH1-EC 2 pcs

Eliminates visible hot spots. Includes a diffuser, 2 end caps, and 5 screws.

Flood 54° Beam Angle



BLACK DIFFUSER LED-T-CH5-COV-BK 5'
LED-T-CH8-COV-BK 8'

Optional diffuser available, order separately.



WIDE FLOOD OPTIC DEEP CHANNEL LED-T-CH3-WF 5'
ADDITIONAL END CAPS LED-T-CH1-EC 2 pcs

Eliminates visible hot spots. Includes a diffuser, 2 end caps, and 5 screws.

Wide Flood 84° Beam Angle

wacighting.com	Headquarters, East Manufacturing Facility	South East Manufacturing Facility	Central Manufacturing Facility	West Manufacturing Facility
Phone (800) 526.2588	44 Harbor Park Drive	1600 Distribution Ct	1700 South J Elmer Freeway, Ste 100	1750 S Archibald Ave
Fax (800) 526.2585	Port Washington, NY 11050	Lithia Springs, GA 30122	Cedar Hill, TX 75104	Ontario, CA 91761