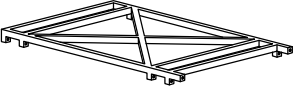

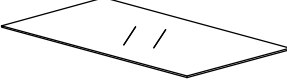
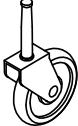
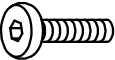


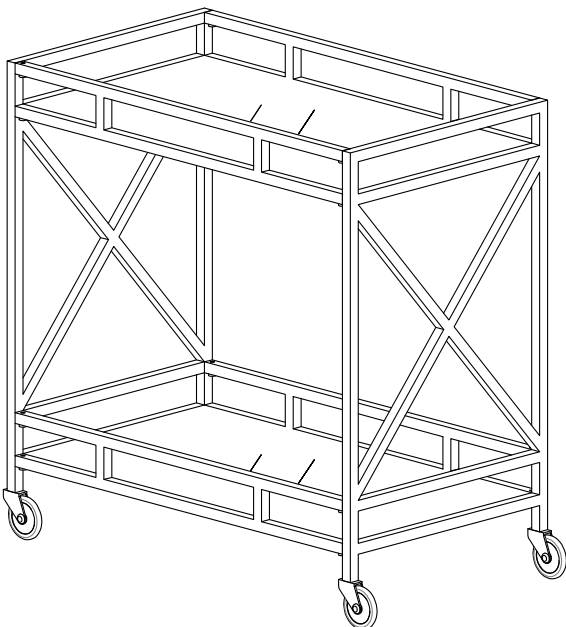


ASSEMBLY INSTRUCTION

MIRRORED GLASS METAL KITCHEN CART

A	Side Frame	B	Shelf Frame	C	Mirror	D	Wheel
							
2pcs		4pcs		2pcs		4pcs	
E	Bolt	F	Glass Support	G	Allen Wrench		
1/4 "x1/2"		18mm		1/2"			
							
16pcs		12pcs		1pc			

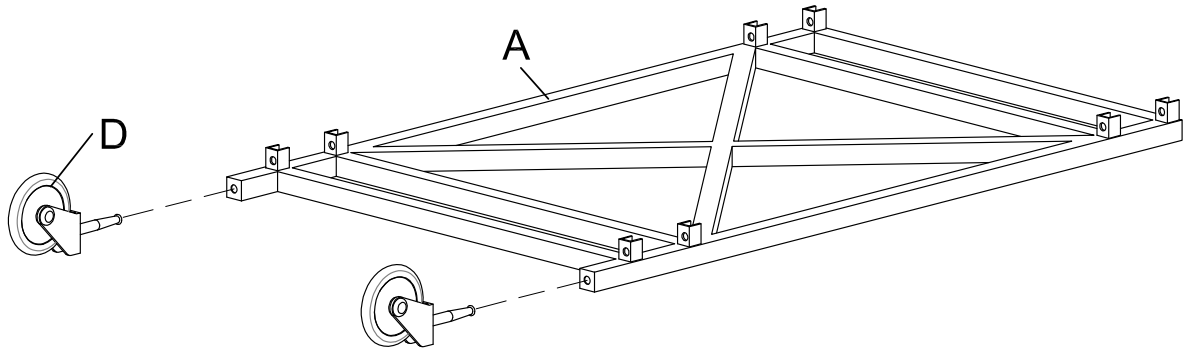


This page lists all the contents included in the box. Please take the time to identify the hardware as well as the individual components to this product. As you unpack and prepare for assembly, place the contents on a carpeted or padded area to protect them from damage.

***** Do not tighten screws & bolts until the entire unit is completely assembled.**

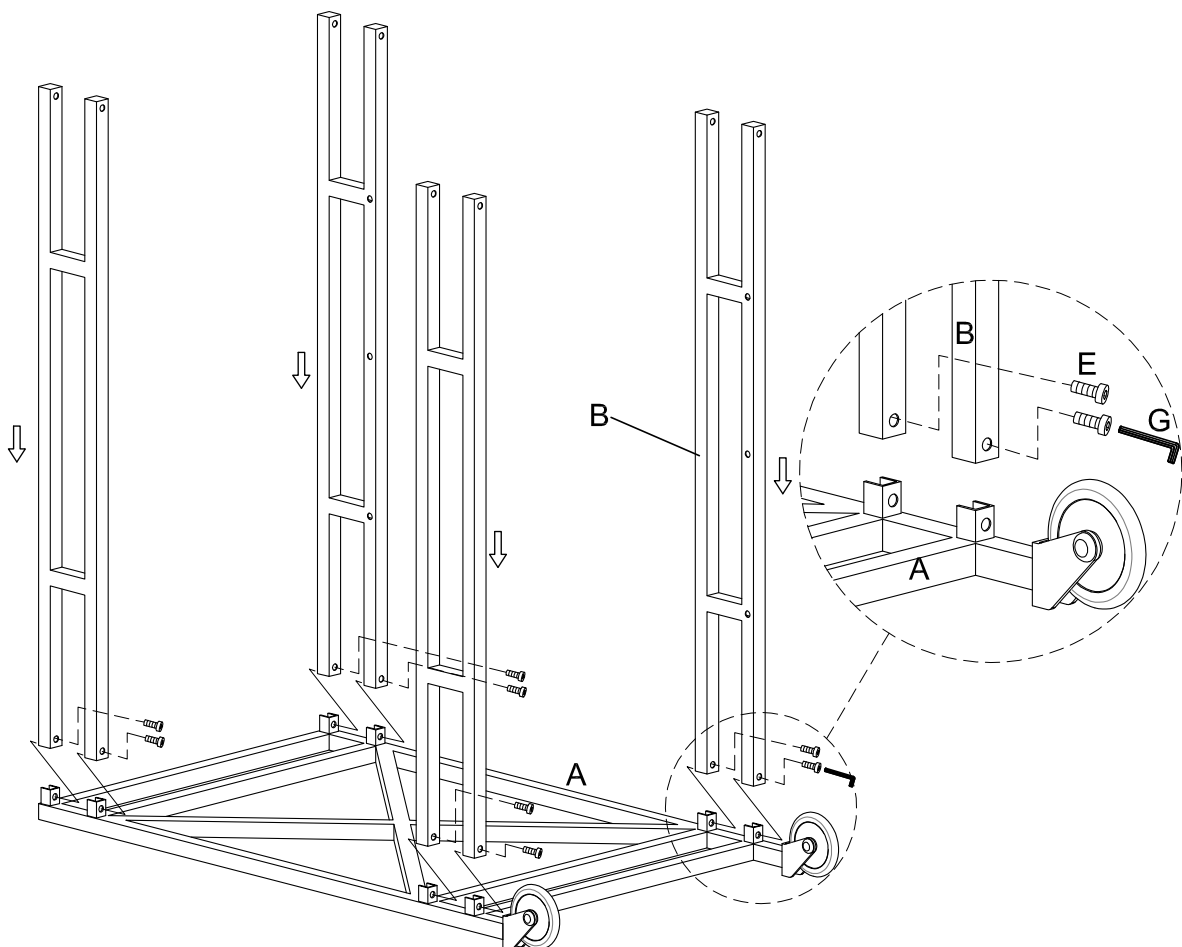
1

Attach wheel (D) to side frame (A) as shown.

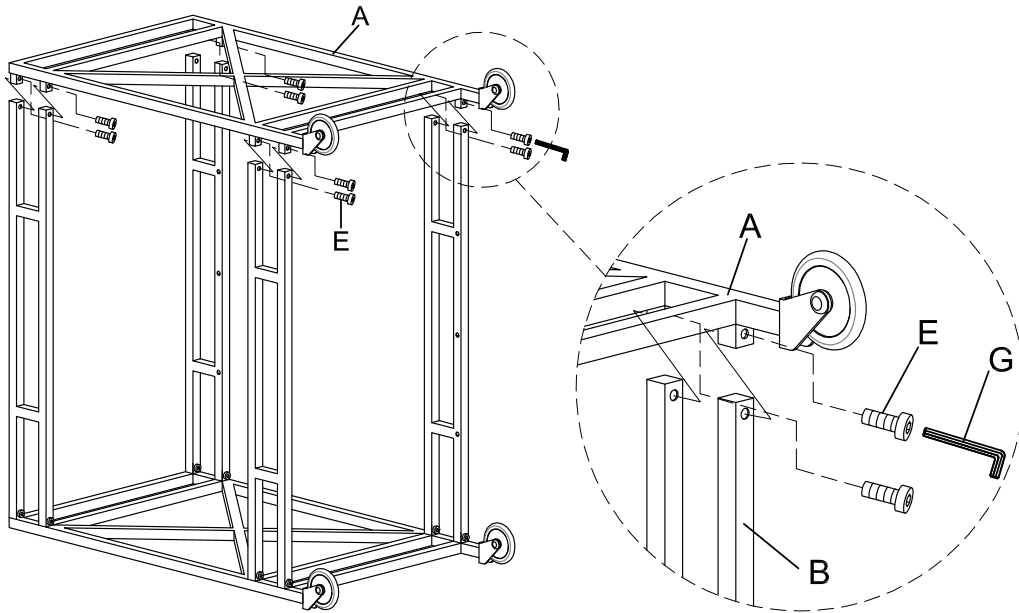


2

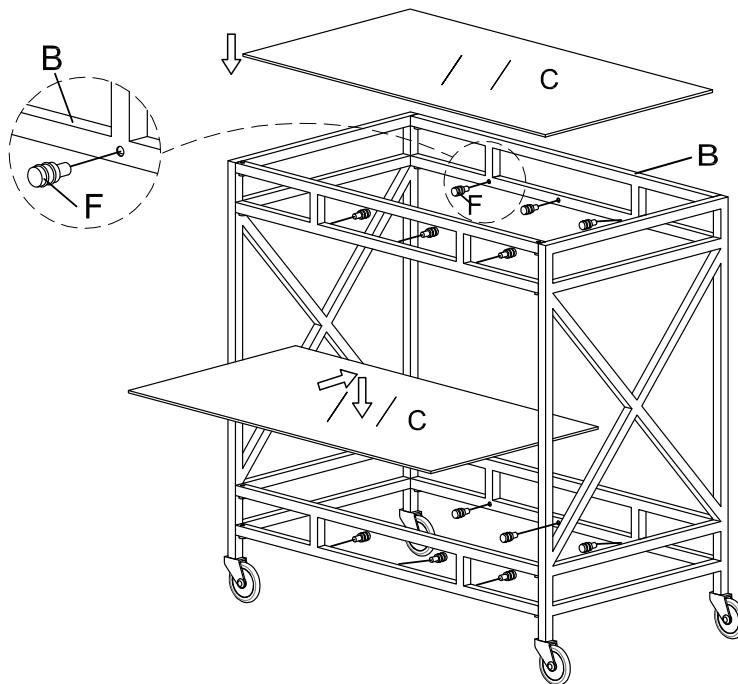
Attach shelf frame (B) to side frame (A) by bolt (E) and tighten with allen wrench (G) as shown.



- 3** Attach another side frame (A) to shelf frame (B) by bolt (E) and tighten with allen wrench (G) as shown.



- 4** Attach glass support (F) to shelf frame (B), then put mirror (C) into shelf frame (B) as shown.



Cleaning & Care

Treat surface with care. Surface is resistant to scratches but is not scratch resistant. Clean surfaces with a dry or damp soft cloth. Do not use abrasive cleaners. Hardware may loosen over time. Periodically check that all connections are tight.