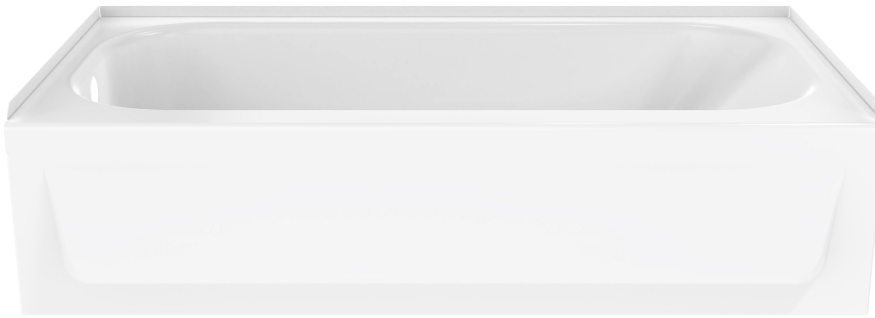


011-3364 / 011-3365

60 X 30 ALHOA PORCELAIN ENAMELED STEEL BATHTUB RH OR LH DRAIN

Exterior Dimensions: 60W x 30D
Note: Dimensions may vary +/- 1/4"



Material to be stacked
on pallets.



COLOR & TRIM OPTIONS

Standard Color	Code
White	-00

FEATURES

- Tub size: 60" x 30" Apron
- Height: 14-1/4"
- Soaking Depth: 8-1/2"
- Construction:
 - Porcelain-finished steel construction
 - Full textured slip-resistant floor surface
 - Recessed bath with integral apron
 - Integral tile-flange for leak-prevention
 - 40 degree lumbar support for comfortable bathing headrest
 - Pre-leveled support pad for easier installation
 - Easy to clean, resistant to: bacteria, mold, mildew and stains
 - Limited lifetime residential warranty
 - 3-Year commercial warranty

STANDARDS AND RATINGS

- National Plumbing Code of Canada
- International Residential Code
- International Plumbing Code
- Uniform Plumbing Code
- MAS Certified Green
- ASME A112.19.1
- ICC/ANSI A117.1
- ASTM C282
- ASTM C448
- ASTM E162
- ASTM E662
- ASTM F462
- ASTM E303-22
- CSA B45.2
- WWP-541
- UL -969
- Applicable for LEED Credits
- ADA
- HUD
- FHA
- VA

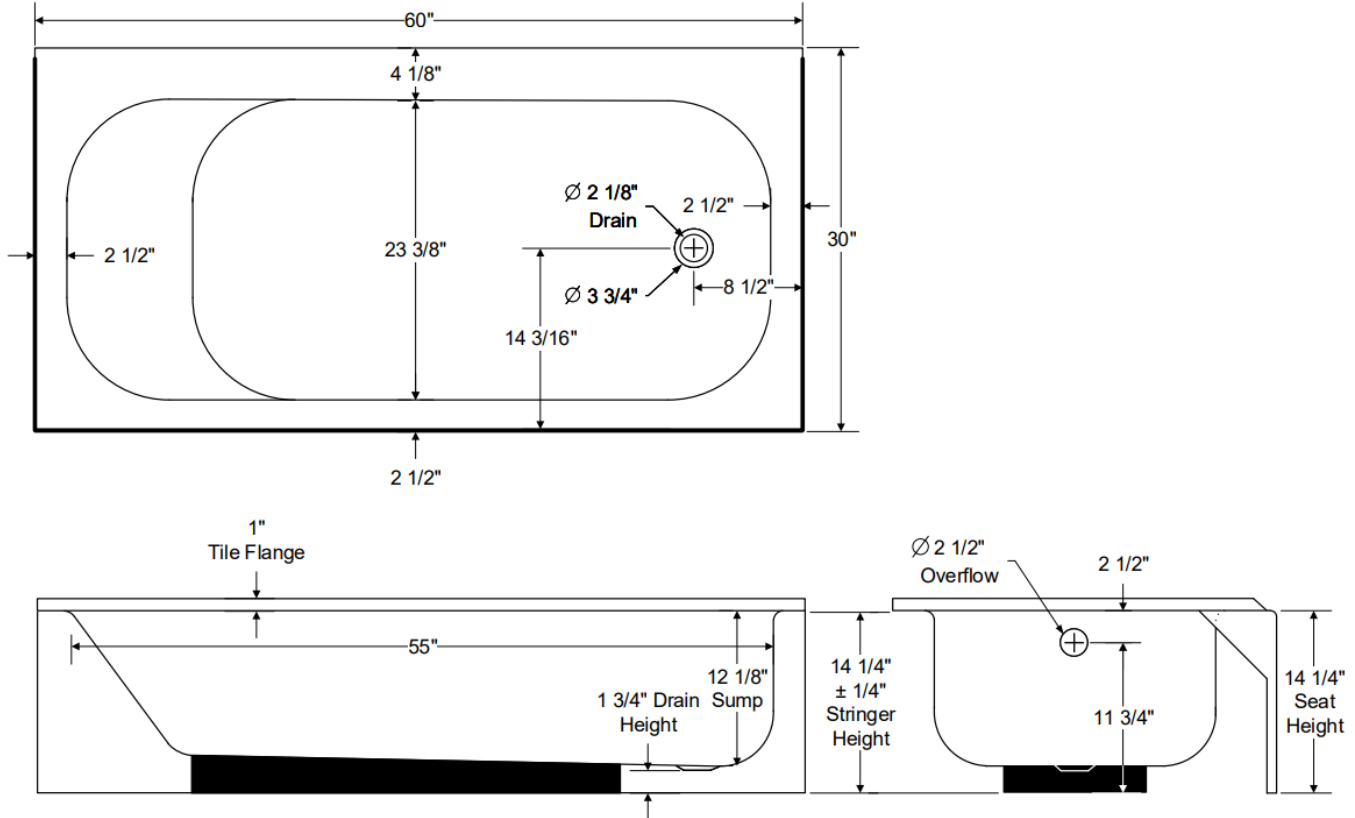
*Compliance effective where applicable
and installed accordingly



011-3364 / 011-3365

60 X 30 ALOHA PORCELAIN ENAMELED BATHTUB RH OR LH DRAIN

Note: Base dimensions may vary +/- 1/4"



- All dimensions are approximate. Measurements should be verified against the unit to ensure proper fit


FEATURES Dimensional Tolerance $\pm 1/4$ ". Dimensions needed for site preparation should be measured from the unit. American Bath Group assumes no responsibility for preparatory work.

Type and Model #	Drain Side	Material	Surface
Bathtub #011-3364	Right	Porcelain on Steel	Porcelain Enamel w/ Anti-slip
Bathtub #011-3365	Left	Porcelain on Steel	Porcelain Enamel w/ Anti-slip

DIMENSIONS

Specifications	inches
Bathtub Depth:	30
Bathtub Length:	60
Apron Height:	14-1/4
Step-Over Depth:	4-1/8
Shower Door Mountable Surface Depth*:	4-1/8

SUGGESTED DRAINS

Image	Description
	Standard Bathtub Drain

Shower doors can only be attached to the bathtub surface via adhesive, and cannot be drilled/nailed to the bathtub surface