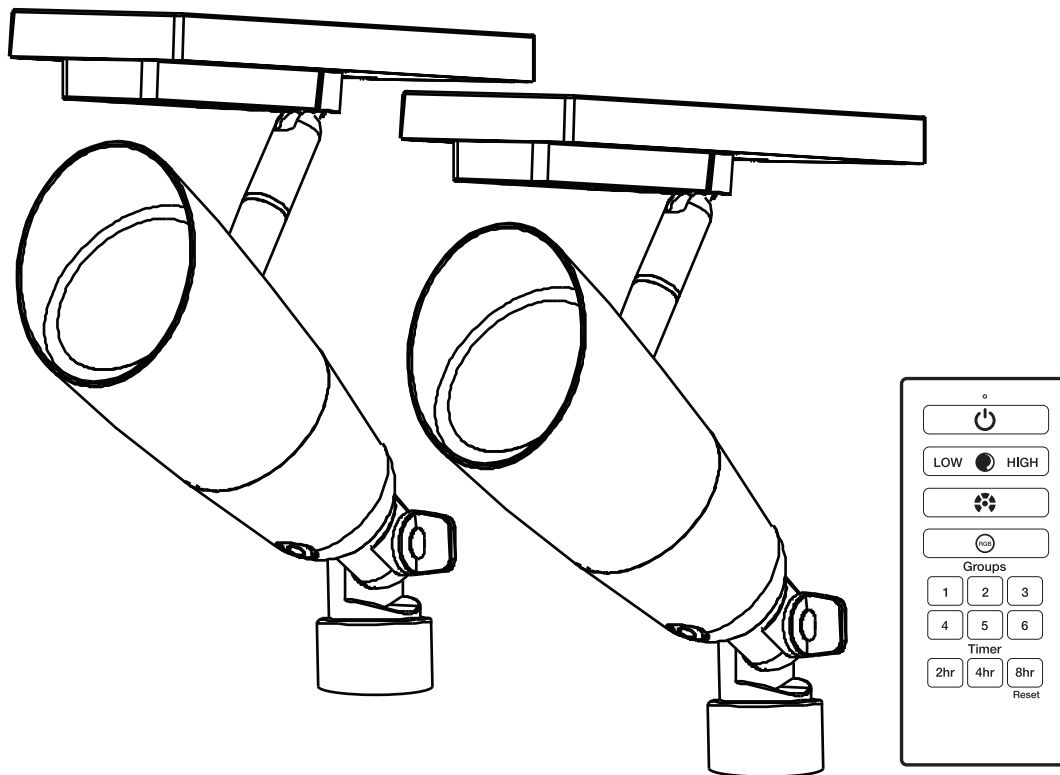




Model: SPOT/SYNC/SOL/NK/2

# USE AND CARE GUIDE

## LED SOLAR SPOTLIGHTS + REMOTE



Questions, problems, missing parts?

Before returning to store, visit [feit.com/help](http://feit.com/help) for further assistance.



*We appreciate the trust and confidence you have placed in Feit Electric through the purchase of these LED Solar Spotlights + Remote. We strive to continually create quality products designed to enhance your home. Visit us online to see our full line of products available for your home improvement needs. Thank you for choosing Feit Electric.*

# Table of Contents

Table of Contents	2	Operation without Remote	6
Safety Information	2	Operation with Remote	6
Warranty	2	OneSync Remote Operation	7
Pre-Installation	3	Battery Replacement	7
Tools Required	3	Pairing Remote to a OneSync Fixture	8
Hardware Included	3	Setup with Smart Bridge	8
Backplate Screw Installation	4	Transferring group from Smart Bridge to Remote	9
Backplate Adhesive Installation	4	Transferring groups from Remote to Smart Bridge	9
Spotlight Installation	5		

## Safety Information

### READ BEFORE INSTALLATION AND SAVE THESE INSTRUCTIONS

#### HOW SOLAR LIGHTS WORK

Solar light has a solar panel that converts sunlight into electricity. During the day, the electricity converted by the solar panel is stored in the rechargeable battery. At night, the solar light is powered by the battery using the electricity stored during the day. The operating time depends on geographical location, daily weather conditions and season.

#### CHOOSING THE RIGHT LOCATION

Select a location with full, direct sunlight. Do not install in shady areas as these areas will not allow the battery to be fully charged and will reduce nighttime working hours. Be sure that the selected location is not close to other nighttime light sources such as streetlights or porch lights. These light sources may keep the solar lights from turning on automatically.



**CAUTION:** Contains two 18650 rechargeable lithium-ion batteries. Risk of fire, explosion, or burns. Do not disassemble. Do not crush or damage the batteries. Do not heat or incinerate. Do not open or disassemble. Do not make modifications to this product.



**WARNING:** Dispose of used battery promptly according to local recycling or waste regulations. Keep battery out of reach of children and its original package until ready to use. Clean battery contacts and device contacts prior to installing new battery. Ensure that the battery is installed correctly with regard to polarity (+ and -).

#### DUSK TO DAWN OPERATION:

The light will automatically turn on at dusk and remain on through the night for 6 hours. The light will remain off throughout the day, until dusk.  
**NOTE:** To make sure this function works properly, always have the switch in the 'ON' position (including daytime).

## FCC STATEMENT

This device complies with part 15 of the FCC Rules. Operation is subject to the following two conditions: (1) This device may not cause harmful interference, and (2) this device must accept any interference received, including interference that may cause undesired operation. Note: This equipment has been tested and found to comply with the limits for a Class B digital device, pursuant to part 15 of the FCC Rules. These limits are designed to provide reasonable protection against harmful interference in a residential installation. This equipment generates, uses and can radiate radio frequency energy and, if not installed and used in accordance with the instructions, may cause harmful interference to radio communications. However, there is no guarantee that interference will not occur in a particular installation. If this equipment does cause harmful interference to radio or television reception, which can be determined by turning the equipment off and on, the user is encouraged to try to correct the interference by one or more of the following measures: Reorient or relocate the receiving antenna. Increase the separation between the equipment and receiver. Connect the equipment into an outlet on a circuit different from that to which the receiver is connected. Consult the dealer or an experienced radio/TV technician for help. Any changes or modifications not expressly approved by the manufacturer could void the user's authority to operate the equipment.

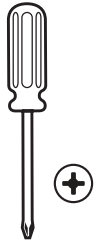
**Supplier's Declaration of Conformity:**  
47 CFR § 2.1077 Compliance Information  
**Responsible Party:**  
Feit Electric Company  
4901 Gregg Road,  
Pico Rivera, CA 90660, USA  
**Unique Identifier:**  
SP0T/SYNC/SOL/NK/2

## Limited Warranty

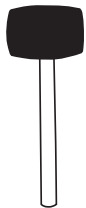
This product is warranted to be free from defects in workmanship and materials for up to three years from date of purchase. If the product fails within the warranty period, please contact Feit Electric at [info@feit.com](mailto:info@feit.com), visit [feit.com/contact-us](http://feit.com/contact-us) for instructions on replacement or refund. Replacement or refund is your sole remedy. Except to the extent prohibited by applicable law, any implied warranties are limited in duration to the duration of this warranty. Liability for incidental or consequential damages is hereby expressly excluded. Some states and provinces do not allow the exclusion of incidental or consequential damages, so the above limitation or exclusion may not apply to you. This warranty gives you specific legal rights, and you may also have other rights which vary from state to state or province to province.

# Pre-Installation

## TOOLS REQUIRED



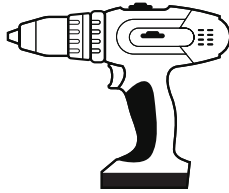
Phillips screwdriver



Rubber mallet



Pencil




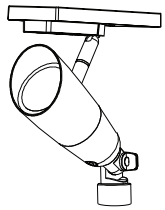
Power drill



7/32 in. Drill Bit

## HARDWARE INCLUDED

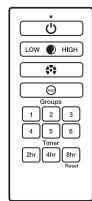
 **NOTE:** Hardware not shown to actual size.



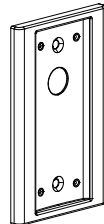
AA



BB



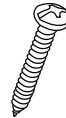
CC



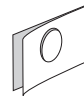
DD



EE



FF



GG



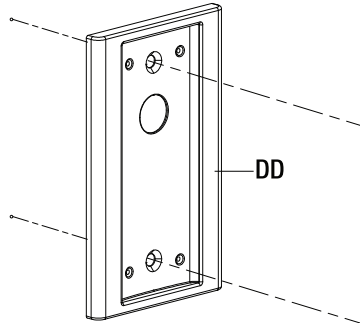
HH

Part	Description	Quantity
AA	LED Solar Spotlight	2
BB	Ground Stake	2
CC	Remote Control	1
DD	Remote Backplate	1
EE	Anchors	2
FF	Screws	2
GG	Double-Sided Adhesive	2
HH	AAA Remote Batteries	2

## Backplate Screw Installation

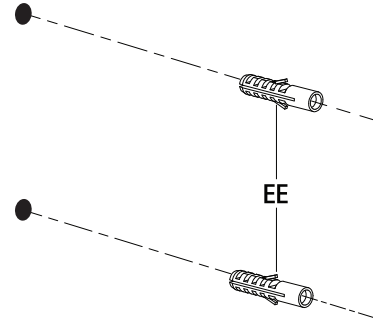
### 1 Installing the backplate

- Position the backplate (DD) in the desired location. Utilize the holes on the backplate (DD) to mark the location for the wall anchors (EE).



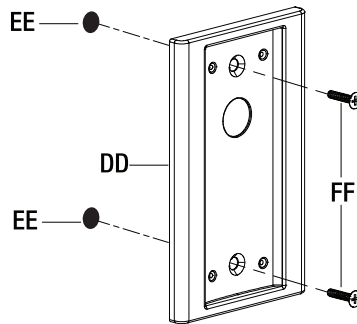
### 2 Drilling the holes

- Use a power drill to pierce two holes in the marked locations and insert the wall anchors (EE).



### 3 Attaching the backplate

- Align the backplate (DD) holes with the wall anchors (EE) and insert the screws (FF) using a Phillips screwdriver.

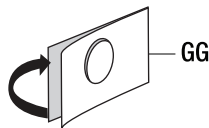


## Backplate Adhesive Installation

Wipe down surface before installation.  
For best results only install on smooth, clean surfaces.

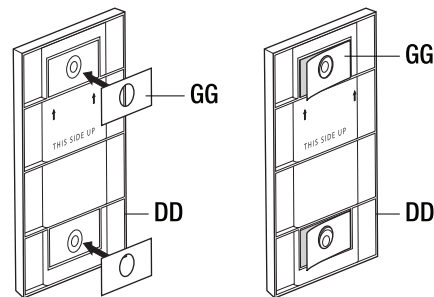
### 1 Peeling off the protective film

- Peel off the protective film from one side of the double-sided adhesive (GG).



### 2 Attaching the double-sided tape

- Attach the double-sided adhesive (GG) to the backplate (DD). Peel off the other side of the double-sided adhesive (GG).



### 3 Pressing the backplate onto the surface

- Position the backplate (DD) to the desired area. Press the backplate (DD) onto the surface and hold for 30 seconds to assure the backplate (DD) is held securely.

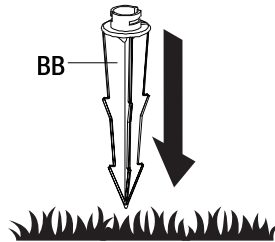
# Spotlight Installation

## 1 Installing the stake

- Push the ground stake (BB) into the ground. Using rubber mallet, insert ground stake (BB) deep enough into the ground to ensure fully assembled spotlight (AA) is stable and does not tip over.



**IMPORTANT:** Do not push on the spotlight (AA) or you may damage the device.



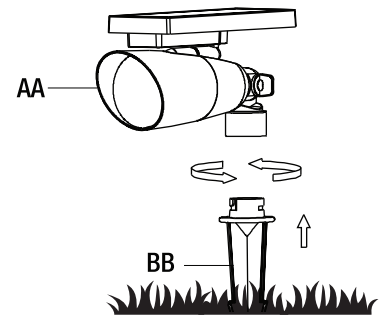
**NOTE:** When installing product in hard or dry soil, water the soil several hours beforehand to make the installation easier. You can also break up the ground lightly with a stake or a fork. Don't force stake into the ground as excess force can break or bend the stake.

## 2 Installing the spotlight

- Align the ground stake (BB) slot with the rivet indicator on the spotlight (AA) base.
- Push the spotlight (AA) base downward and then turn clockwise.

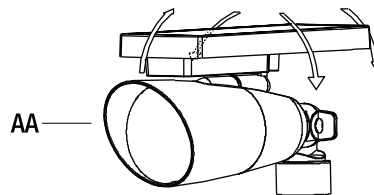


**IMPORTANT:** Do not push on the Spotlight (AA) or you may damage the device.



## 3 Adjusting the solar panel and spotlight

- Adjust the solar panel on the spotlight (AA) manually, to a position best suited for maximum direct sunlight.
- Loosen the thumbscrew to adjust the spotlight. Tighten the thumbscrew to secure position.



## 4 Removing the insulating tab

- The light will not operate without pulling out the insulating tab.



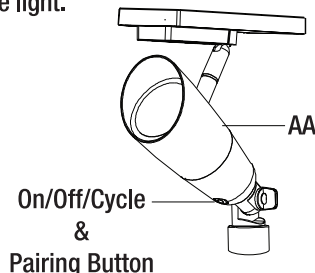
**IMPORTANT:** After removing the insulating tab tighten the screws on the battery cover.

## Operation without Remote

This OneSync fixture works on its own or with remote/smart bridge for grouping and expanded control.

### 1 Turning on the fixture

- Turn the on the spotlight (AA) by pressing the button located under the light.



#### DUSK TO DAWN OPERATION:

The light will automatically turn on at dusk and remain on through the night for 6 hours. The light will remain off throughout the day, until dusk.

### 2 Selecting a Color

- To cycle through the colors, push the Cycle button.
- Colors are: Soft White, Bright White, Cool White, Daylight, Deluxe Daylight, Red, Blue, Green, Yellow, Orange, Purple, Teal, and Pink.
- The spotlight (AA) will remember the color setting when next turned on.



**IMPORTANT:** Light brightness is determined by the charge level of the batteries. Brightness will decrease during operation to extend battery life.

## Operation with Remote

The OneSync remote has a 100ft control range and will command all paired fixtures within 100ft of the remote.

All OneSync fixtures are equipped with a signal repeater that will repeat any remote commands to all other fixtures within 100ft. Placing fixtures within 100ft of at least one other fixture creates a control network and allows for unlimited remote control range, as long as there is a functioning OneSync fixture within 100ft to relay the command.

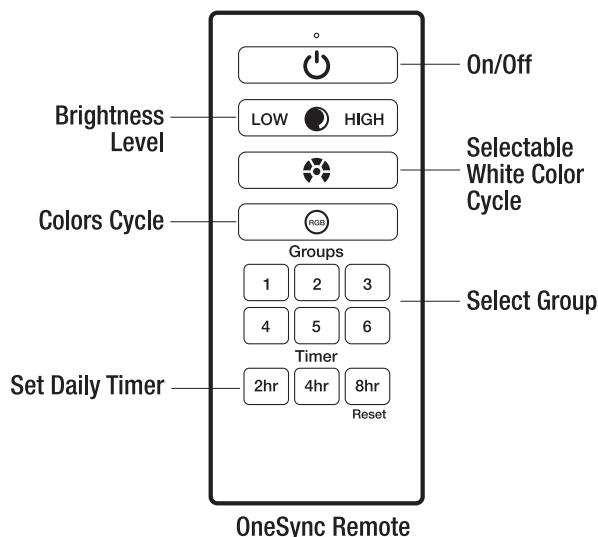
**Example:** You can install a OneSync fixture, then another OneSync fixture 100ft away from the first unit. Continue to install 3 more OneSync fixtures in this way so that the last fixture is 500ft away. Using this relay technology, the remote will control the farthest fixture that is 500ft away.

The OneSync Spotlight and OneSync remote are pre-paired to the universal group one. The Spotlight will respond to any OneSync remote operating on group 1, including the packaged remote.

### 1 Remote Control Button Configurations

- **LED Indicator Light:** LED indicator light will flash when a button is pressed to signify that the battery is still charged.
- **On / Off:** Press this button to turn all connected lights on & off.
- **Brightness Level:** Press the left and right sides of the dimming button to adjust the brightness.
- **Selectable White Color Cycle:** Press this button to rotate through Soft White (2700K), Bright White (3000K), Cool White (4000K), Daylight (5000K) and Deluxe Daylight (6500K).
- **Color Cycle:** Press this button to rotate through Red, Blue, Green, Yellow, Orange, Purple, Teal and Pink.
- **Select Group:** Press the group number before pressing function buttons to control the lights paired to the specific group.
- **Daily Timer:** Press the timer button to set how long the connected lights will remain on. Solar items will turn On automatically at dusk and turn off after the set amount of time. Non-solar powered devices will turn On every day at the exact time the timer was set.

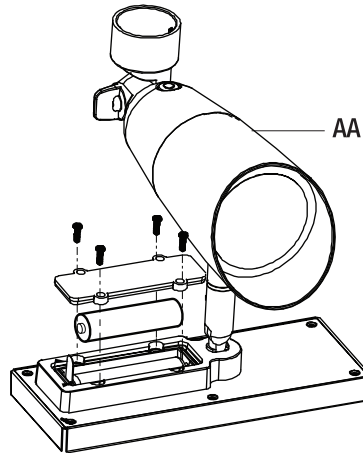
Press and hold the 8hr button for 5 seconds to reset timer back to 6hrs (default). For non-solar powered devices, the timer will be deactivated.



# Battery Installation/Replacement

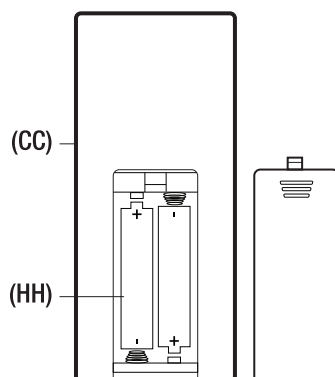
## 1 Replacing the Spotlight battery

- To replace the rechargeable battery, unscrew the lid screws (4) located under the spotlight (AA), using a Phillips head screwdriver.
- Replace with a new lithium-ion 18650 2600mAh 3.7V minimum 9.62Wh or greater. Install battery correctly with regard to the polarity (+ and -).
- Reattach the lid by securing the (4) screws using a Phillips head screwdriver.



## 2 Accessing the Remote batteries

- Slide the battery cover off of the back of the remote control (CC) to expose the battery compartment and install or replace the AAA batteries.



Remove the back cover to replace the batteries. Follow the correct polarity. Remote only uses AAA batteries.

# Pairing the Remote to a OneSync Fixture



**NOTE:** The OneSync remote is compatible with: PATH/SYNC/SOL/BZ, PATH/SYNC/SOL/NK, BOLLARD/SYNC/SOL/BZ, BOLLARD/SYNC/SOL/NK, SPOT/SYNC/SOL/BZ, SPOT/SYNC/SOL/NK, SPOT/PANEL/SYNC, LAN4SQ/SYNC/SOL/BZ, LAN4RND/SYNC/SOL/BZ, LAN11SQ/SYNC/BZ, SYNC/PLUG/REM and SYNC/LV/BOX.

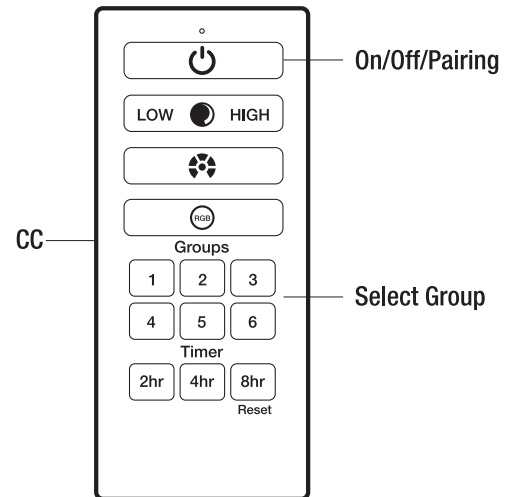
Operating with a OneSync remote (CC) allows for expanded control. Modify settings of individual OneSync fixtures or multiple fixtures by using Groups.

## 1 Entering pairing mode

- Hold down your device's pairing button for 3 seconds. Once the device starts to blink slowly, it is in pairing mode. Your device will remain in pairing mode for three minutes before timing out.

## 2 Pairing the remote to the fixture

- While the device is in pairing mode, press and hold the desired Groups button (1, 2, 3, 4, 5 or 6) for 3 seconds to pair the remote to the selected group. The light will flash once and the device will exit pairing mode.



## 3 Unpairing the remote from the device

- To unpair, first follow step 1 so that the device is in pairing mode. Once the device is in pairing mode, on the OneSync remote, press the pairing group button and hold the power button for 3 seconds.
- The light will flash once, and the device will exit pairing mode
- To unpair from all groups at once, hold down button on the OneSync device for 10 seconds. It will flash three times rapidly to indicate that that all groups have been unpaired from the fixture.



**NOTE:** The remote comes equipped with a universal Group #1. To create unique groups, pair using Groups #2-6. All fixtures are pre-paired to the universal Group #1 so that they will immediately respond with any remote Group #1 command. To deactivate this universal group, follow the unpairing instructions in Step 3.

# Setup with Smart Bridge

## 1 Downloading and installing the Feit Electric app

- Search for the Feit Electric app in the App Store or Google Play Store.
- Download and Install the Feit Electric app on your smart device.
- Connect to a 2.4GHz Wi-Fi network that covers your installation location.
- Follow the instructions in the Feit Electric app & Smart Bridge manual to pair your OneSync lights.



Feit Electric App



Only supports  
2.4GHz Wi-Fi  
Networks

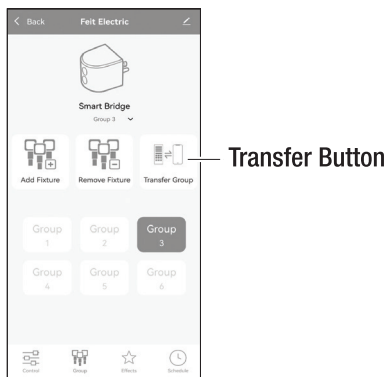


## Transferring groups from Smart Bridge to Remote

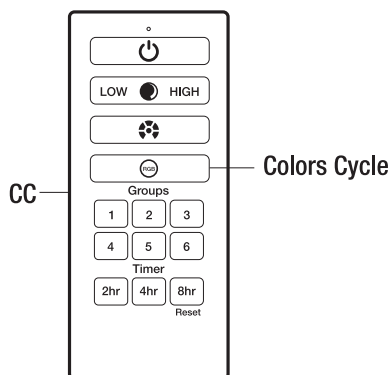
You can easily copy your existing groups from your OneSync Remote to a OneSync Smart Bridge, and vice versa, and control your lights from both your remote and your smart device.


### 1 Transferring Group steps from Smart Bridge to Remote

1. In the Feit App, select group number and press Transfer Group.
2. Smart bridge will enter transfer mode for 30 seconds.



3. On the remote (CC), press and hold the Colors Cycle button for 2 seconds.
4. The fixtures in the existing group will slowly blink once to indicate successful transfer.
5. Remote will now be able to control the fixtures under the group that has been transferred but not be able to control the fixtures under other groups.




 **NOTE:** Press and hold the Selectable White Color Cycle button on the remote for 3 seconds to delete the transferred groups.

## Transferring groups from Remote to Smart Bridge

### 1 Transferring Group steps from Remote to Smart Bridge

1. On the remote, select the group number you wish to transfer.
2. Press and hold the 2hr Timer button for 2 seconds.
3. In the Feit app, press the Transfer button.
4. The fixtures in the group will slowly blink once to indicate successful transfer.

 **NOTE:** Press and hold the Selectable White Color Cycle button on the remote for 3 seconds to delete the transferred groups.



Questions, problems, missing parts?

Before returning to store, visit [feit.com/help](http://feit.com/help) for further assistance.

