

# Installation Instructions

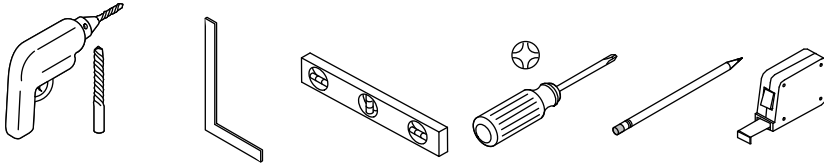
## Floor-Mount Bath Faucet

Français, page "Français-1"  
Español, página "Español-1"

THE BOLD LOOK  
OF **KOHLER**®

1443293-2-A

## Tools and Materials



Sealant Tape

**Plus:**

- 3/16" Masonry Bit (for concrete installation)
- Conventional Woodworking Tools and Materials
- Plumbing Tools and Materials

## Before You Begin

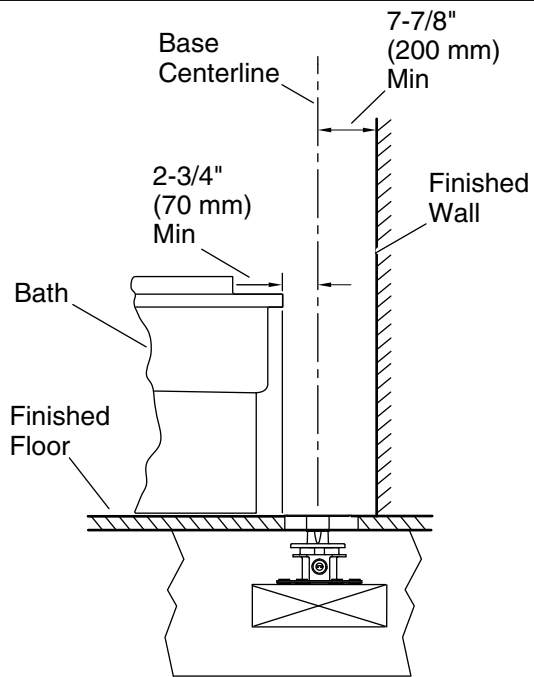
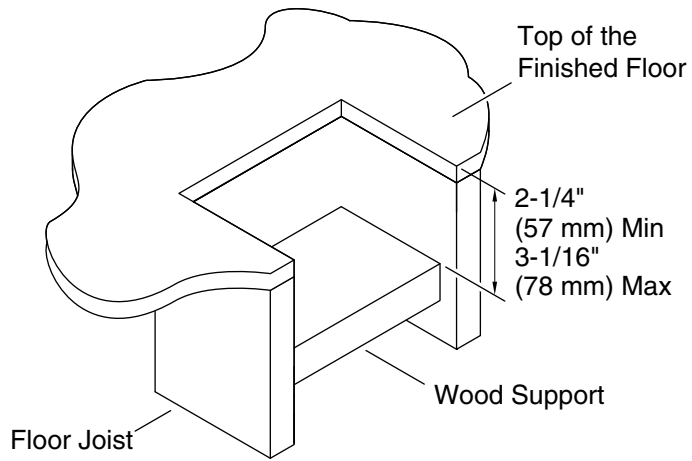


**CAUTION: Risk of personal injury.** Do not use the bath filler as a grab bar or support bar when entering or exiting the bath. The bath filler is not designed to support weight.

**NOTICE:** To avoid damage to the O-rings on the bottom of the faucet, keep the faucet vertical and use care when installing the faucet.

**NOTE:** A minimum operating pressure of 45 psi (310 kPa) is required for proper operation. If a pressure of less than 45 psi (310 kPa) is present, contact a plumber or choose another faucet.

- Follow all local plumbing and building codes.
- Turn OFF the water supply.
- To install this bath faucet with an overflowing bath, make sure that the outer rim of the bath slightly overlaps the surround framing. This will help ensure that the water stream from the spout reaches into the bath basin area.
- Installer supplied copper tubing must be 5/8"OD (1/2" Nominal).
- Carefully review this document and all appropriate roughing-in information. Design the bath enclosure accordingly.



## 1. Prepare the Site

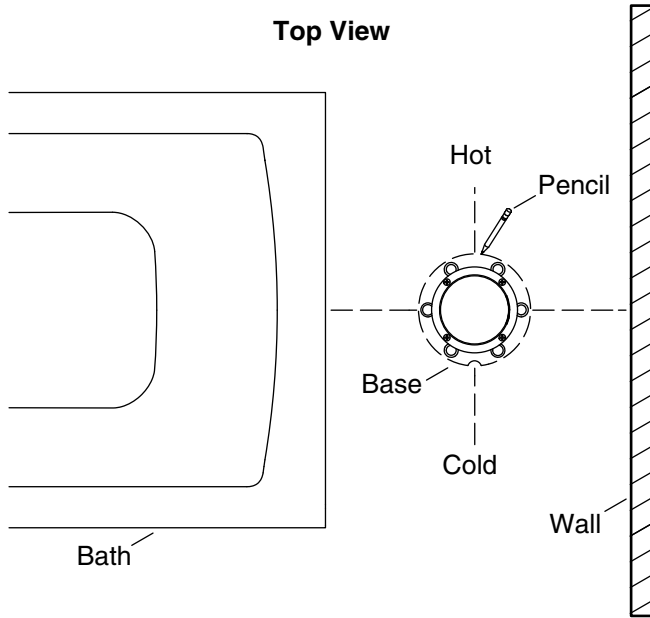
**Prepare the Site (cont.)**

**NOTICE:** Adequate floor support is required. The wood support must be a minimum of 2" (51 mm) thick by 6" (152 mm) wide. 2x6 lumber is NOT adequate for this application.

**NOTE:** Concrete can be used as the floor support, as long as the faucet base will be below the finished floor level.

- Plan out the bath filler placement based on the dimensions above.
- Cut a hole in the subfloor that is large enough to install the wood support between two floor joists.
- Secure the wood support between 2-1/4" (57 mm) to 3-1/16" (78 mm) below the top of the finished floor.

## Top View

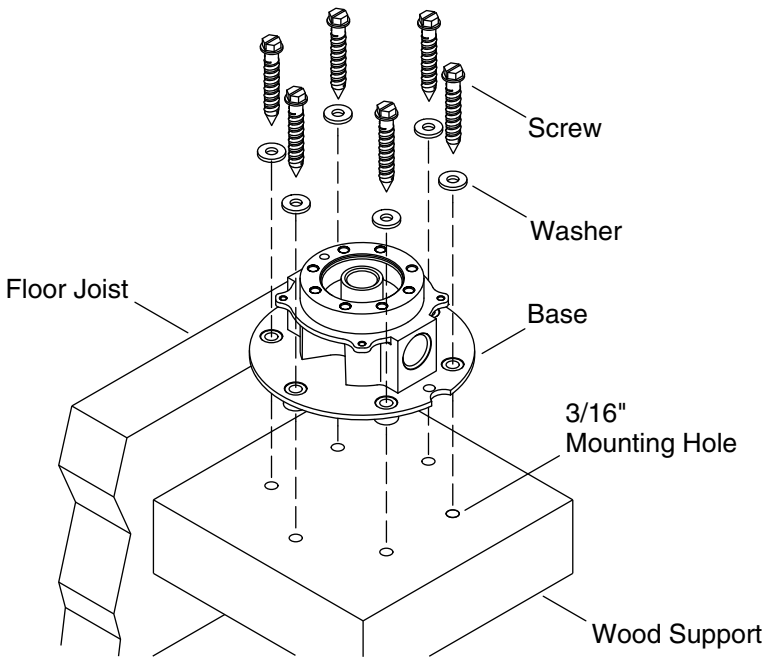


## 2. Spout Orientation

**NOTE:** Verify correct spout orientation before securing the base to the wooden support.

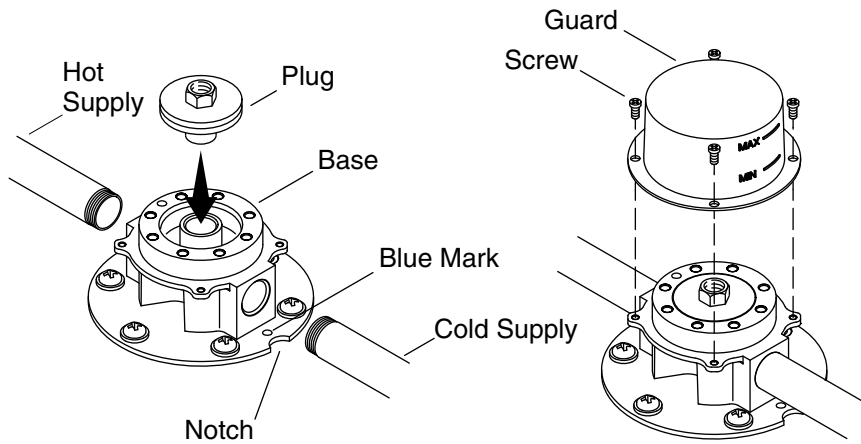
**NOTE:** The base has a blue mark and a notch on the cold supply side.

- Orient the base with the cold supply side notch placed in the direction shown.
- If possible, dry fit the faucet to the base using the screws and washers. Orient the spout to the inside of the bath.
- If your faucet is not available at this time, make sure that the base is positioned so water from the spout will properly flow into the bath.
- Mark the mounting-hole locations on the wooden support.
- Mark the orientation of the base, and where the notch is positioned on the wooden support.



### 3. Install the Base

- If attached, remove the faucet from the base.
- Use a 3/16" drill bit (provided) to drill 1-1/2" (38 mm) deep holes at the marked locations.
- If using concrete as the floor support, use a 3/16" masonry bit (not provided) to drill 1-1/2" (38 mm) deep holes at the marked locations.
- Realign the base to the position you marked. Make sure that the cold supply notch is in the correct orientation.
- Secure the base to the support with the screws and washers (provided).
- Verify that the base is level, and tighten the screws.

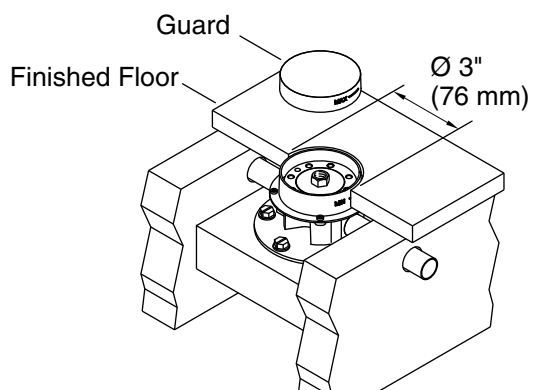
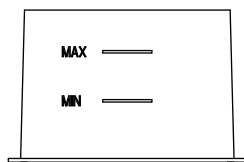


#### 4. Connect the Supplies

**NOTE:** The base has a blue mark and a notch on the cold supply side.

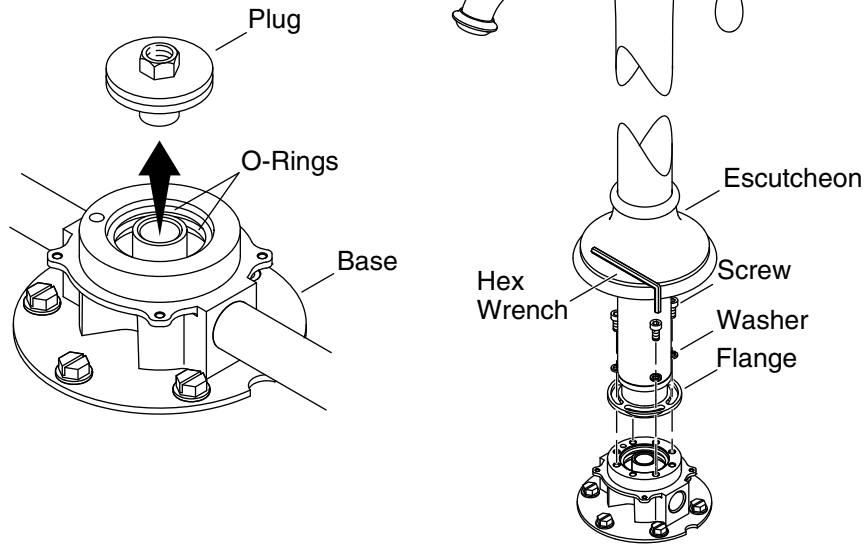
- Apply sealant tape on the 1/2" NPT hot and cold supply pipes, and thread into the base.
- Insert the plug into the base.
- Turn ON the water supply and check for leaks.
- Turn OFF the water supply.
- Secure the guard onto the base with the screws (provided).

Fit the finished floor  
between the  
Min and Max lines.



## 5. Install the Finished Floor

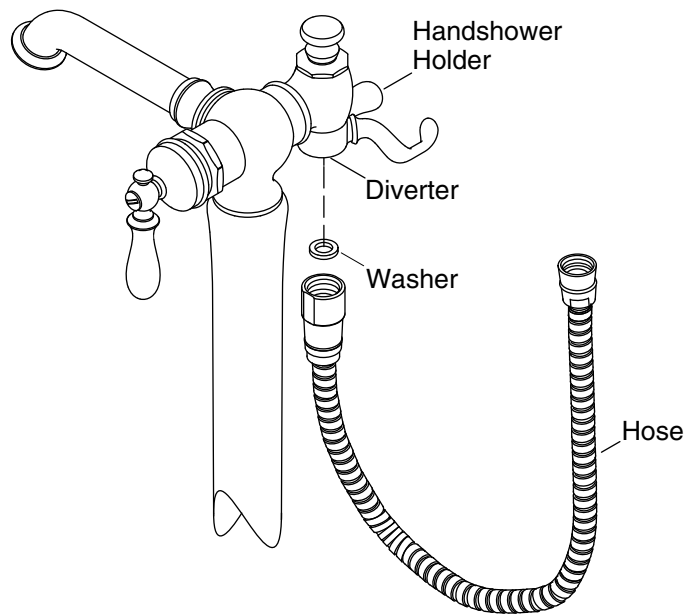
- Finish the floor leaving a 3" (76 mm) diameter hole for the guard.
- Cut the guard so it is flush with the finished floor.



## 6. Install the Faucet

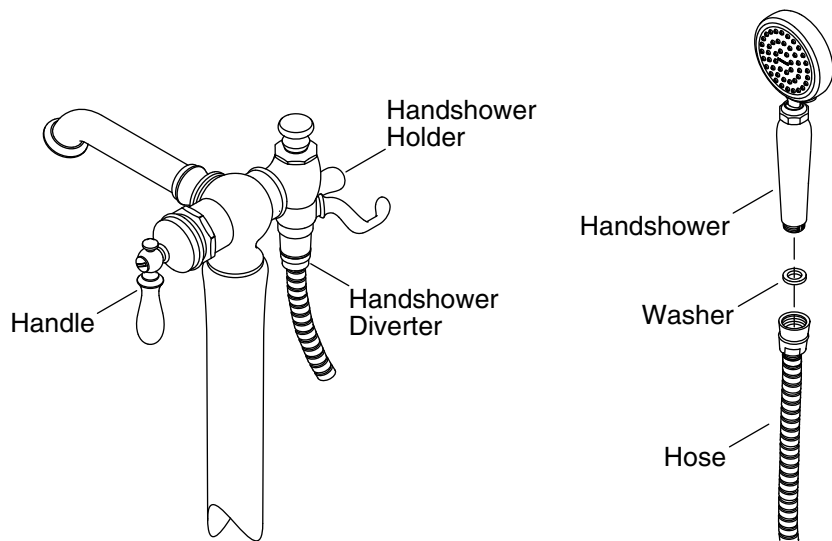
**NOTICE:** Keep the faucet vertical during installation to avoid damaging the faucet O-rings.

- Make sure that the water is turned OFF.
- Carefully relieve the water pressure.
- Remove the plug from the base.
- Remove the rubber protector (not shown) from the faucet.
- Make sure that the base is completely free of dirt and debris.
- Position the faucet on the base, and insert the screws and washers (provided) through the flange.
- Tighten the screws using the hex wrench (provided).
- Slide the escutcheon down onto the floor to cover the base.



## 7. Install the Handshower

- Install the handshower hose as shown.



## 8. Installation Checkout

- Ensure that the faucet handle is in the OFF position.
- Turn ON the water supply and check for leaks.
- Point the hose into the bath, and turn the faucet handle to the ON position.
- Pull the diverter out to send water through the hose to remove debris.
- Turn OFF the faucet to reset the diverter.
- Turn ON the faucet and run hot and cold water through the spout to remove debris.
- Check for leaks.
- Turn OFF the faucet.
- Install the handshower to the hose.
- Position the handshower into the handshower holder.