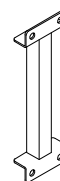
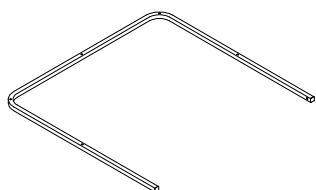
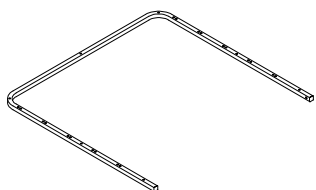


ASSEMBLY INSTRUCTION

METAL TWIN BED FRAME

A Rail Upper Section **B** Rail Down Section **C** Rail Support Bar **D** Rail Connector Bar



2PCS

2PCS

10PCS

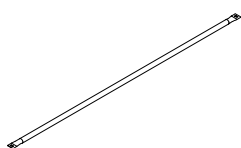
2PCS

E Slat

F Slat Connector

G Bolt
1/4"*16mm

H Bolt
1/4"*35mm



12PCS

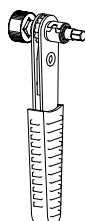
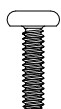
20PCS

8PCS

20PCS

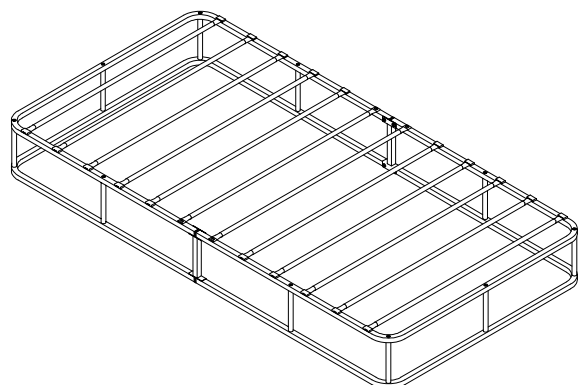
I Bolt
3/16"*16mm

J Ratchet Tool
4mm



4PCS

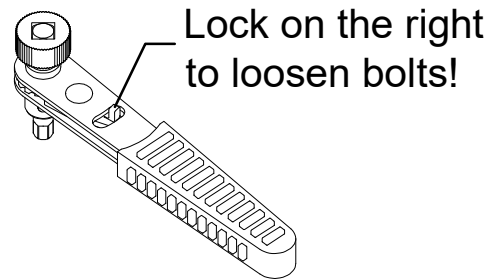
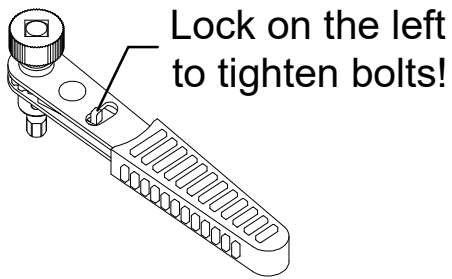
1PC



This page lists all the contents included in the box. Please take the time to identify the hardware as well as the individual components to this product. As you unpack and prepare for assembly, place the contents on a carpeted or padded area to protect them from damage.

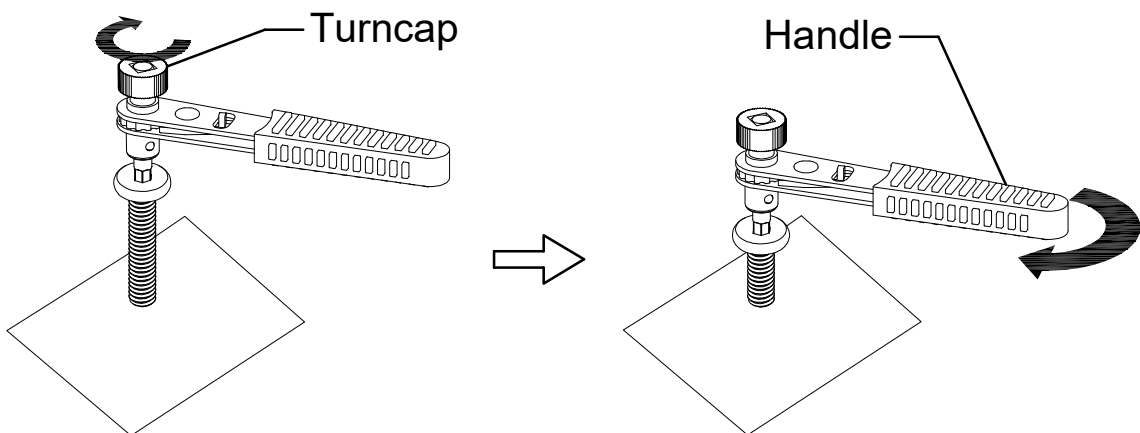
How to Use the Ratchet Tool (J)

1. Before assembling the furniture, please adjust the lock as needed.

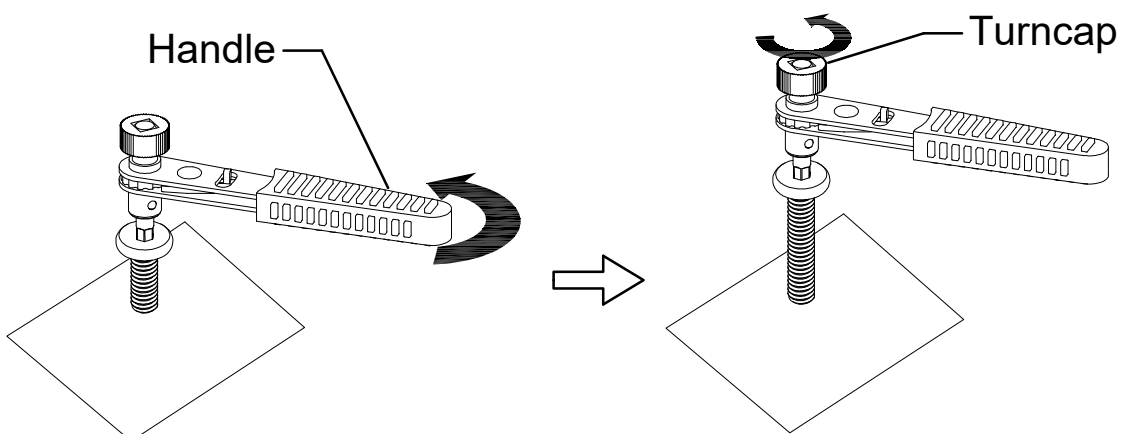


2. Tighten or loosen bolts.

- **Tighten bolts:** Locate the turncap and rotate it clockwise to screw the bolt quickly until it cannot be rotated any more. Then start rotating the handle clockwise to finalize tightening the bolt.

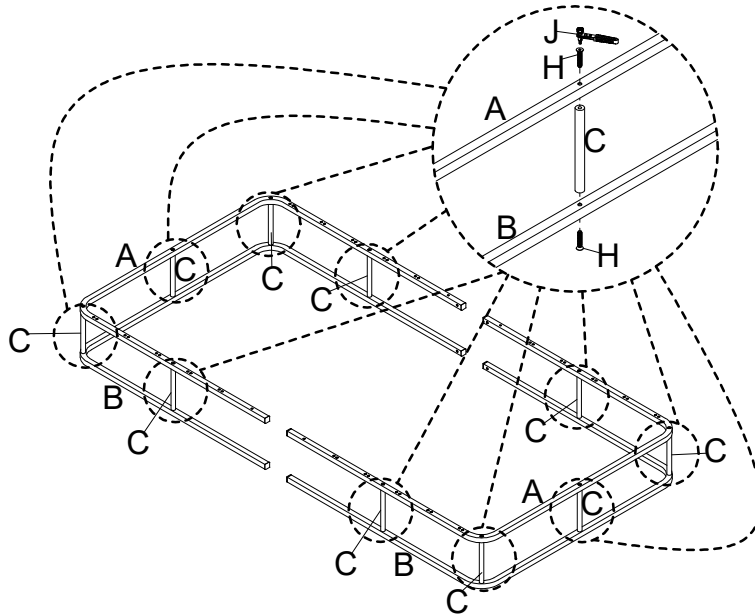


- **Loosen bolts:** Rotate the handle counterclockwise to loosen the bolt. Then continue rotating the turncap in the same direction to remove the bolt completely.

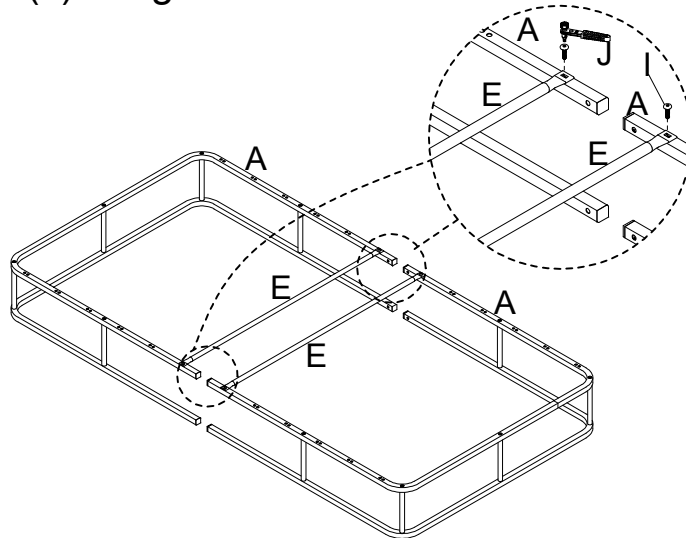


1

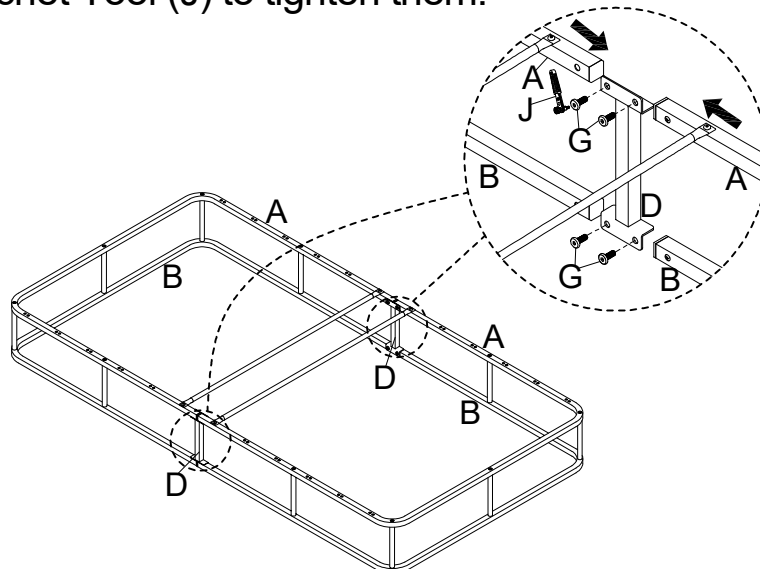
Attach Rail Support Bar (C) to Rail Sections (A) & (B), insert the Bolt (H), turn the Ratchet Tool (J) to tighten them.

**2**

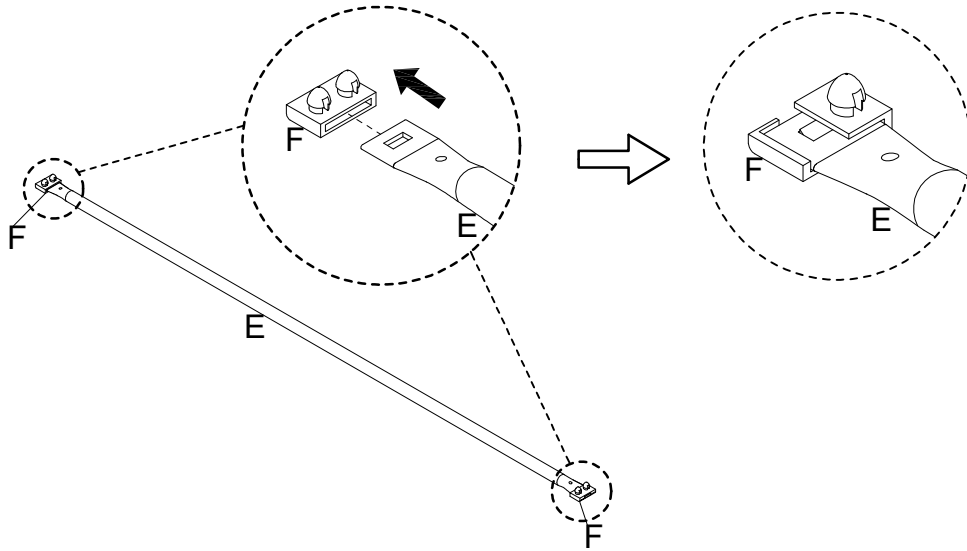
Attach the Slat (E) to the assembled rails, insert the Bolt (I), turn the Ratchet Tool (J) to tighten them.

**3**

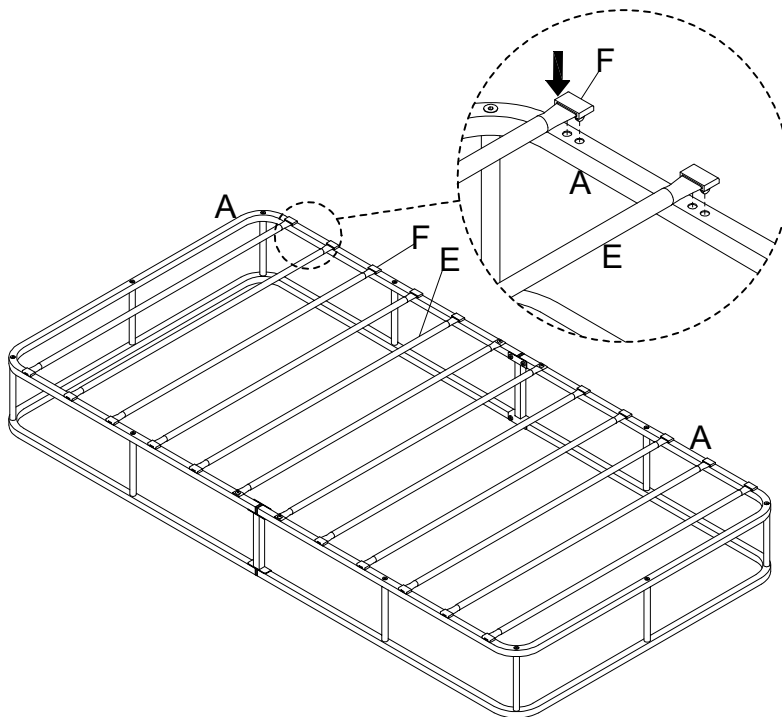
Attach the Rail Connector Bar (D) to the assembled rails, insert the Bolt (G), turn the Ratchet Tool (J) to tighten them.



4 Insert the Slat Connector (F) to the both sides of Slat (E), press the Slat (E) into the correct place.



5 Attach the Slat (E) to assembled rails, put the Slat Connectors (F) into the correct places and press them down.



Cleaning & Care

Treat surface with care. Surface is resistant to scratches but is not scratch resistant. Clean surfaces with a dry or damp soft cloth. Do not use abrasive cleaners. Hardware may loosen over time. Periodically check that all connections are tight.