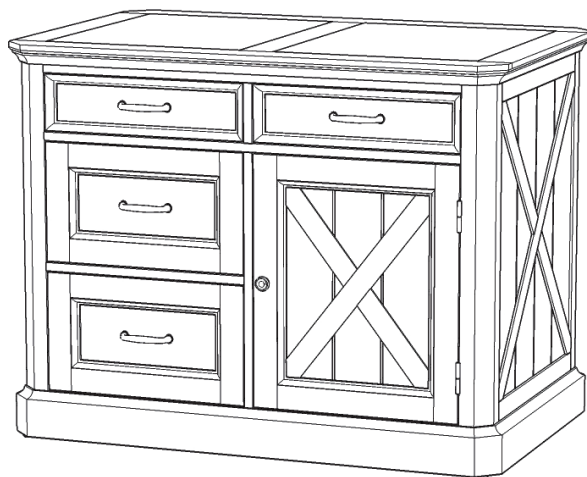


homestyles[®]

20 05525 0942 Kitchen Island



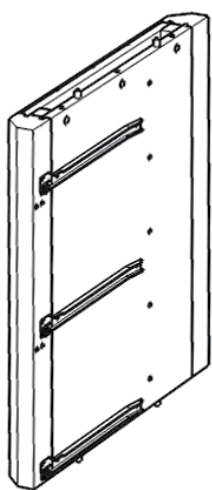
IMPORTANT

Carefully remove all the parts from the carton and place them individually on a soft cloth to prevent scratches or other damage.

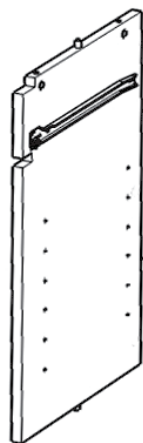
Carefully and strictly follow these assembly instructions to ensure a completed product as designed.

Do not use power tools above 8 volts to assemble.

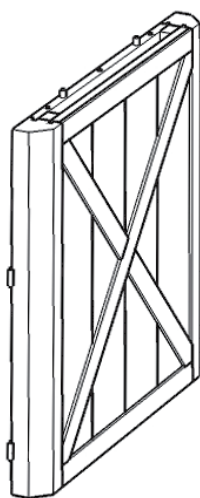
Part List



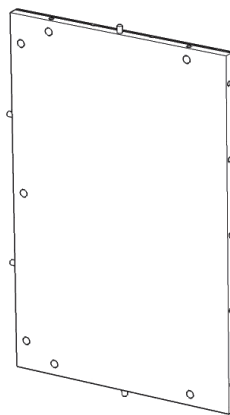
B.
Side Panel
1 pc.



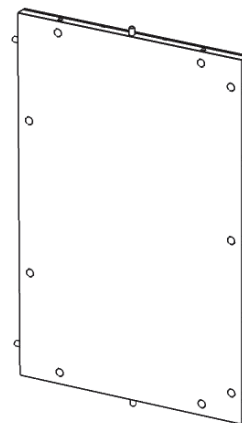
C.
Middle Panel
1 pc.



D.
Side Panel
1 pc.



E.
Back Panel
1 pc.



F.
Back Panel
1 pc.

Hardware List



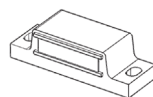
Cam Lock
28 pcs. (+6 extra)



M6x35
Long Screw
8 pcs. (+1 extra)



M3x15
Wood Screw for Magnet
2 pcs. (+1 extra)



Magnet
1 pc.



Adjustable Pin
8 pcs. (+1 extra)



Knob
1 pc.



Cam Lock Screw
28 pcs. (+2 extra)



Flat Washer
8 pcs. (+1 extra)



M3.5x16
Wood Screw (short)
16 pcs. (+1 extra)



M3.5x25
Wood Screw (long)
40 pcs. (+1 extra)



M4x28
Machine Screw
9 pcs.



Handle
4 pcs.

Cartons 20 05525 0941 and 0943 are also needed for assembly.

Tool(s) required for assembly: Phillips screwdriver, Level

Home Styles Customer Service: www.homestyles-furniture.com,
servicedesk@homestyles-furniture.com, 888-680-7460, 877-831-0319

Assembly Instructions 2/7

IMPORTANT

- Use a soft cloth between these parts and the floor.
- Do not use power tools above 8 volts to assemble.
- Do not tighten all the screws until each part is properly assembled.
- The unit must be level to work properly. Use the included adjustable levelers to level.
- Keep Hex Wrench as the bolts may need to be tightened in the future.

STEP 1

Insert Cam Lock Screws into pre-drilled holes in Top (A), Side Panels (B), (D), Middle Panel (C), Back Panel (E) and Base (I), then tighten. (See Figure 1)

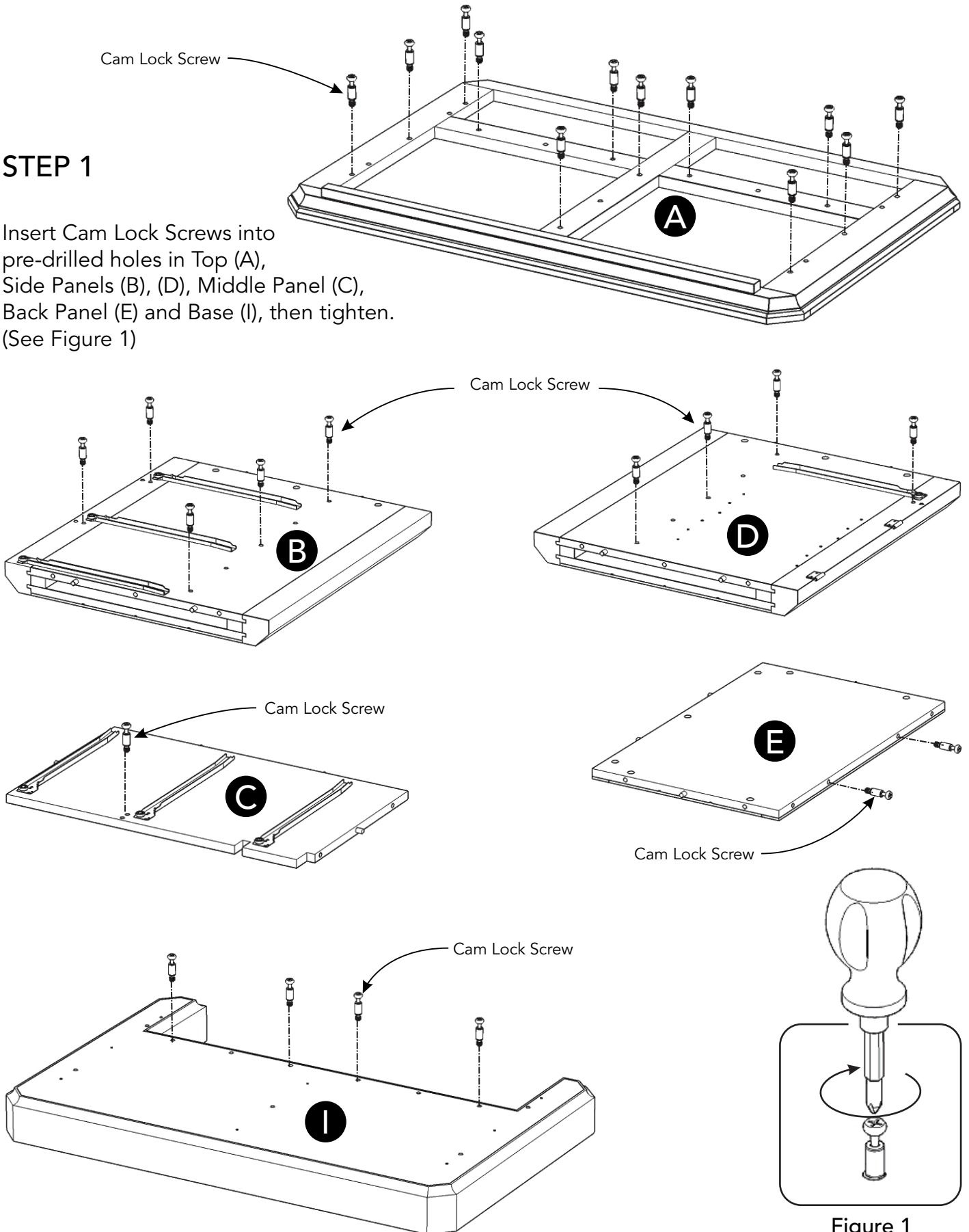
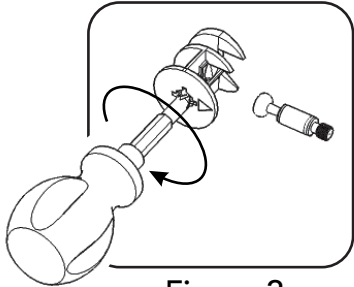
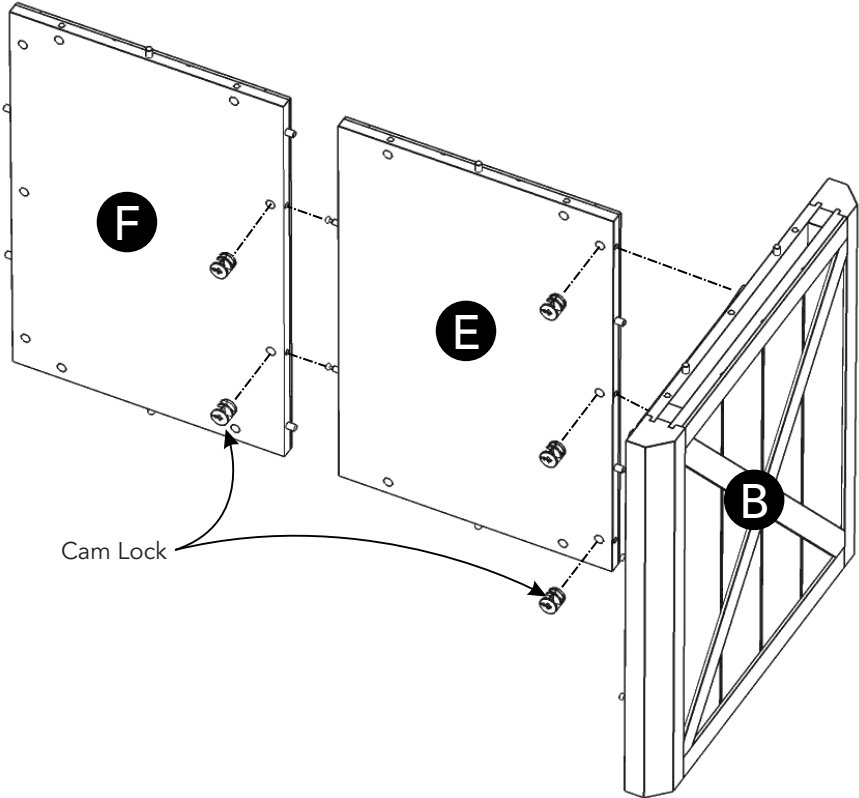


Figure 1

STEP 2

Attach Back Panel (E) to Side Panel (B) with Cam Locks.
(See Figure 2)

Attach Back Panel (F) to unit with Cam Locks.

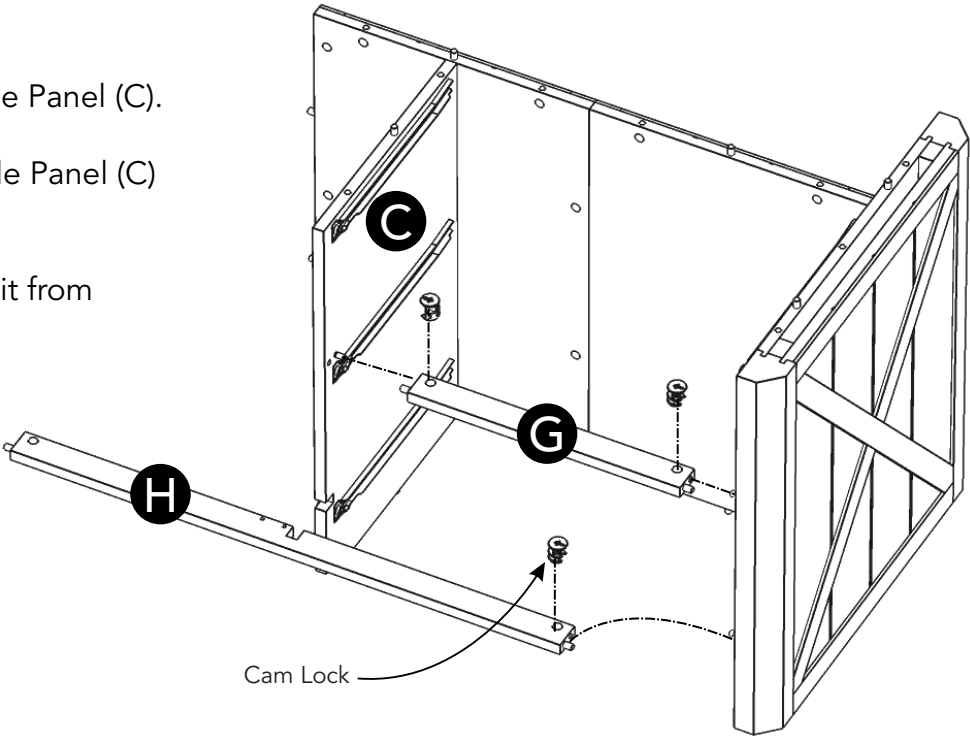


STEP 3

Attach Front Rail (H) to Middle Panel (C).

Attach Front Rail (G) to Middle Panel (C) with Cam Lock.

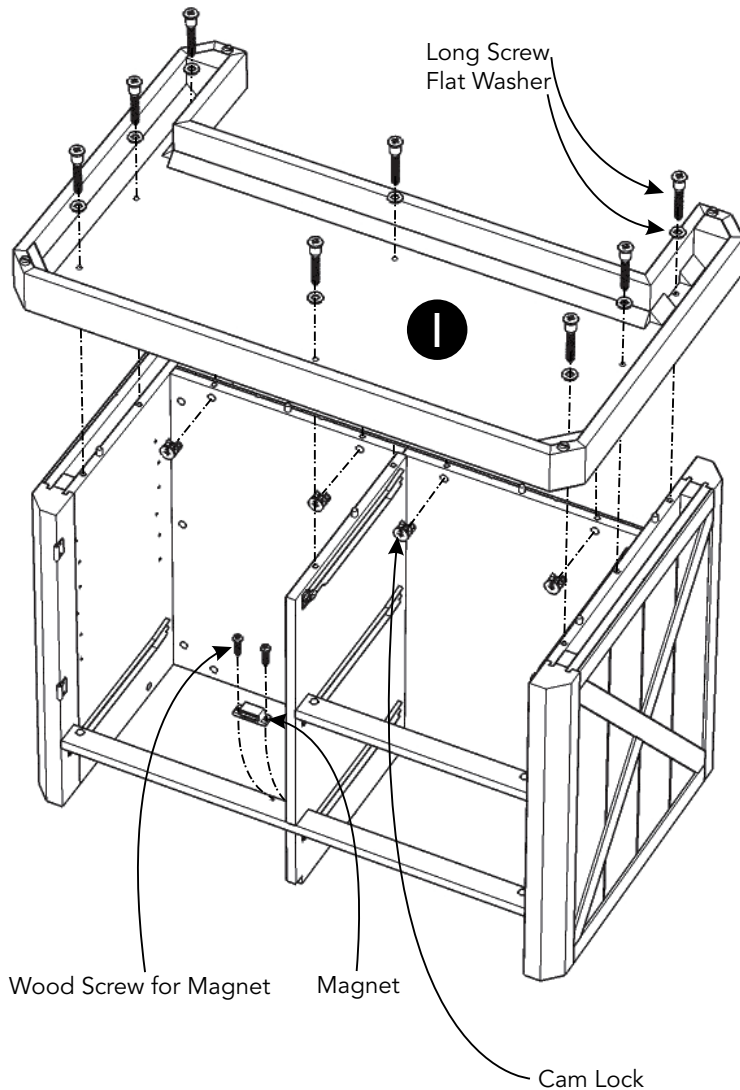
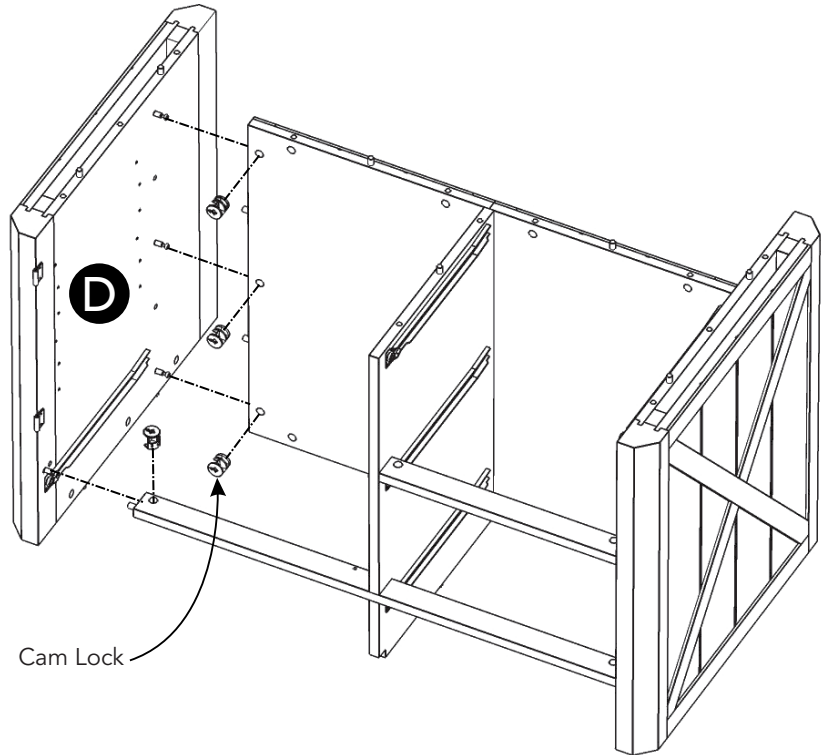
Attach unit from Step 3 to unit from Step 2 with Cam Locks.



Assembly Instructions 4/7

STEP 4

Attach Side Panel (D) to unit with Cam Locks.



STEP 5

Attach Base (I) to unit with Flat Washers, Long Screws and Cam Locks. (See Figure 3)

Attach Magnet to unit with Wood Screws for Magnet into pre-drilled holes, then tighten. (See Figure 4)

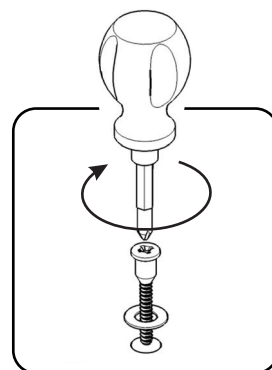


Figure 3

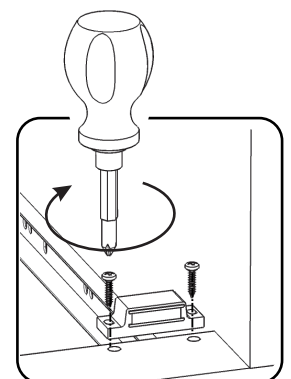
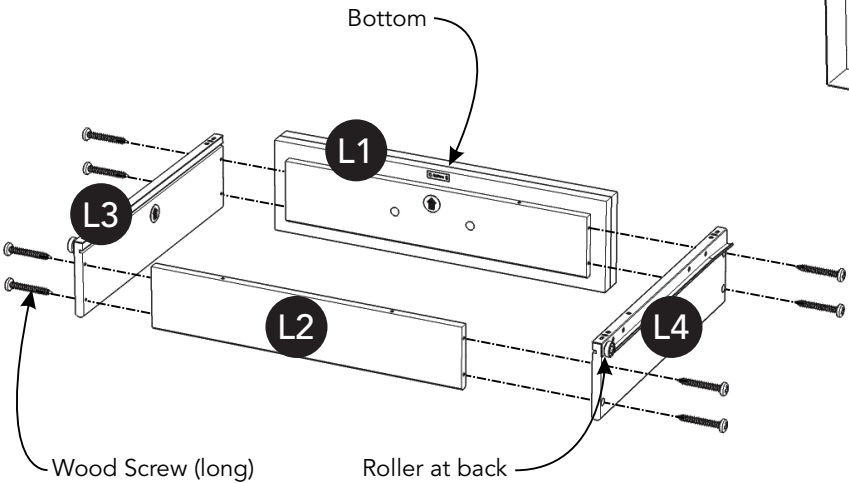


Figure 4

Assembly Instructions 5/7

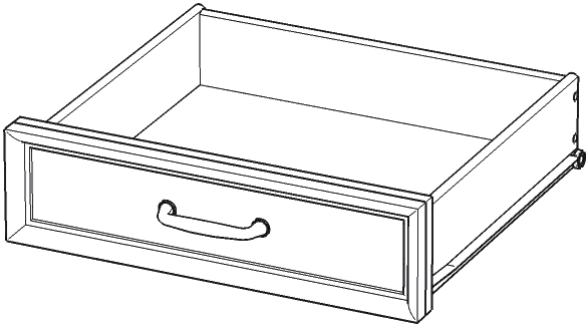
Drawer (L)



STEP 6

Attach Drawer Front (L1) and Drawer Back (L2) to Drawer Side (L3) with Wood Screws (long).

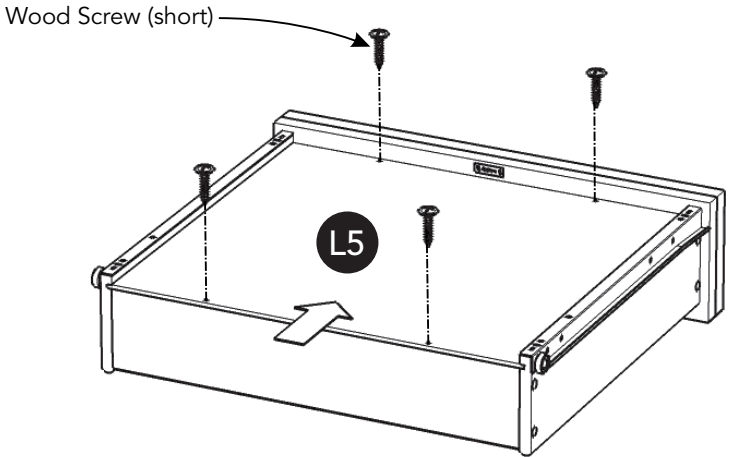
Attach Drawer Side (L4) to unit with Wood Screws (long).



STEP 7

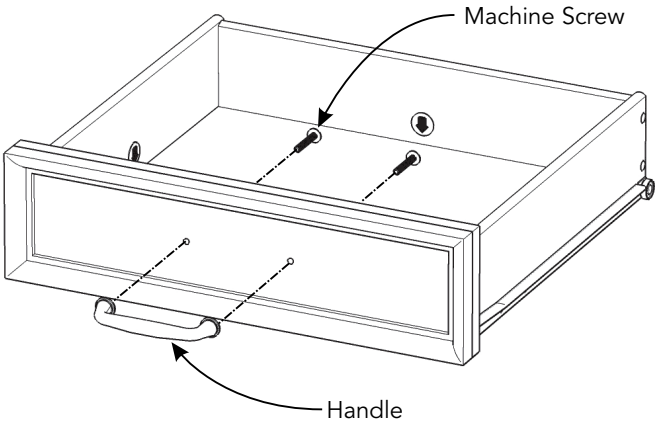
Slide Drawer Bottom (L5) into groove.

Attach Drawer Bottom (L5) to unit with Wood Screws (short).

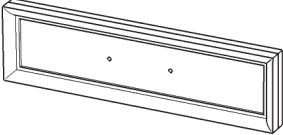
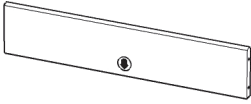
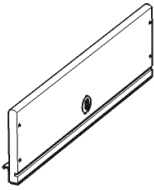
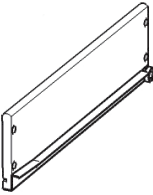
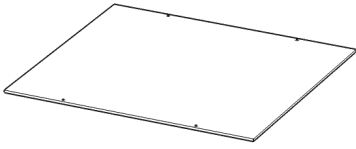


STEP 8

Attach Handle with Machine Screws.

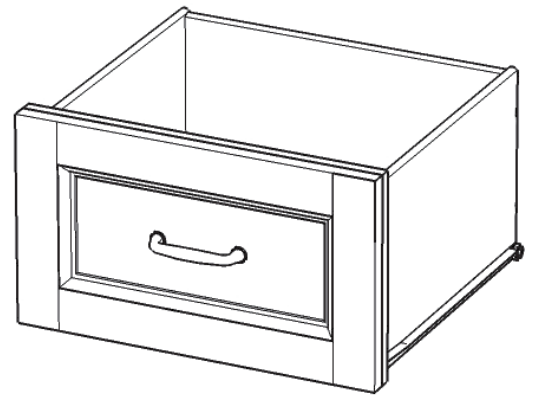
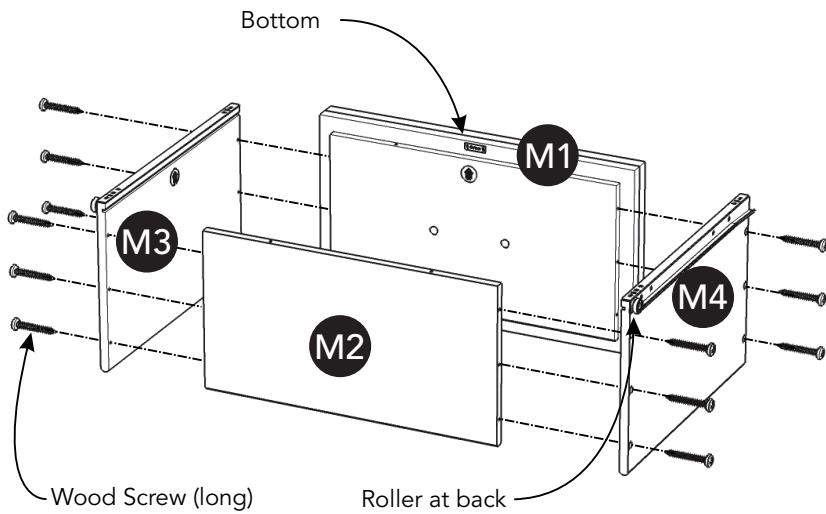


Part List

				
L1. Drawer Front 2 pcs.	L2. Drawer Back 2 pcs.	L3. Drawer Side 2 pcs.	L4. Drawer Side 2 pcs.	L5. Drawer Bottom 2 pcs.

Assembly Instructions 6/7

Drawer (M)



STEP 9

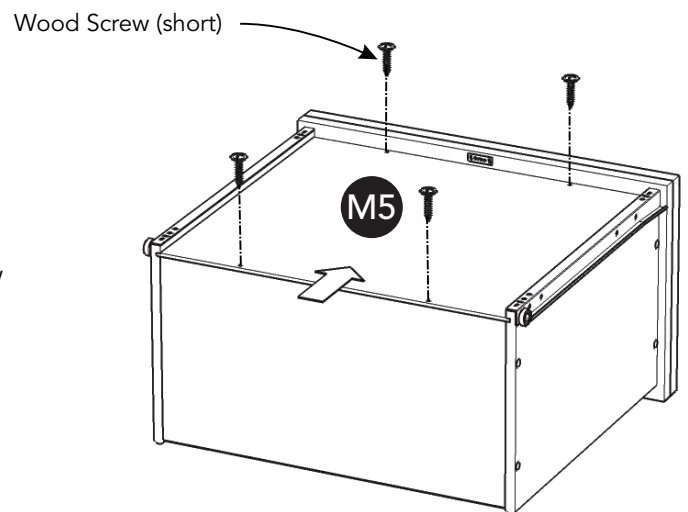
Attach Drawer Front (M1) and Drawer Back (M2) to Drawer Side (M3) with Wood Screws (long).

Attach Drawer Side (M4) to unit with Wood Screws (long).

STEP 10

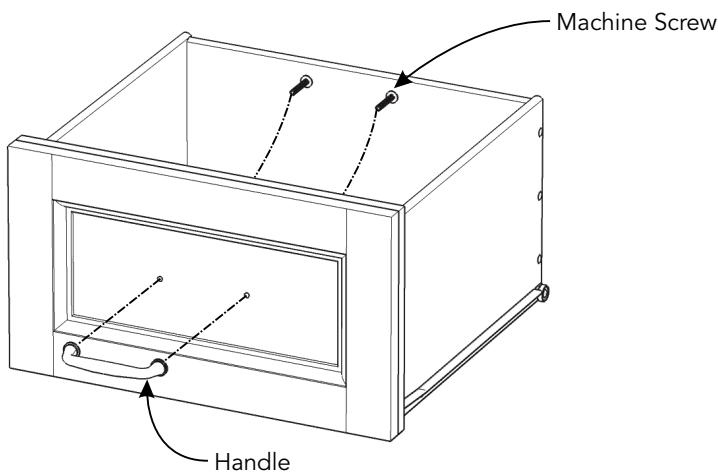
Slide Drawer Bottom (M5) into groove.

Attach Drawer Bottom (M5) to unit with Wood Screws (short).

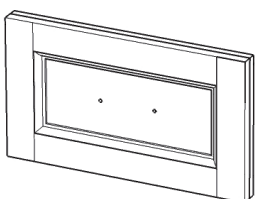


STEP 11

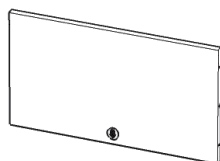
Attach Handle with Machine Screws.



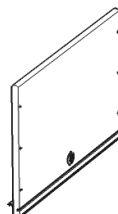
Part List



M1.
Drawer Front
2 pcs.



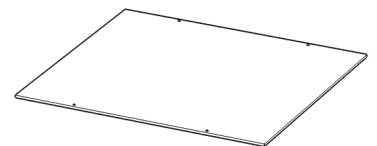
M2.
Drawer Back
2 pcs.



M3.
Drawer Side
2 pcs.



M4.
Drawer Side
2 pcs.



M5.
Drawer Bottom
2 pcs.

Assembly Instructions 7/7

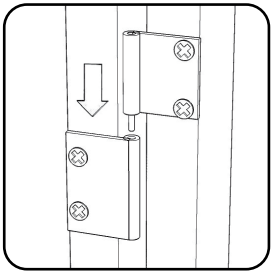
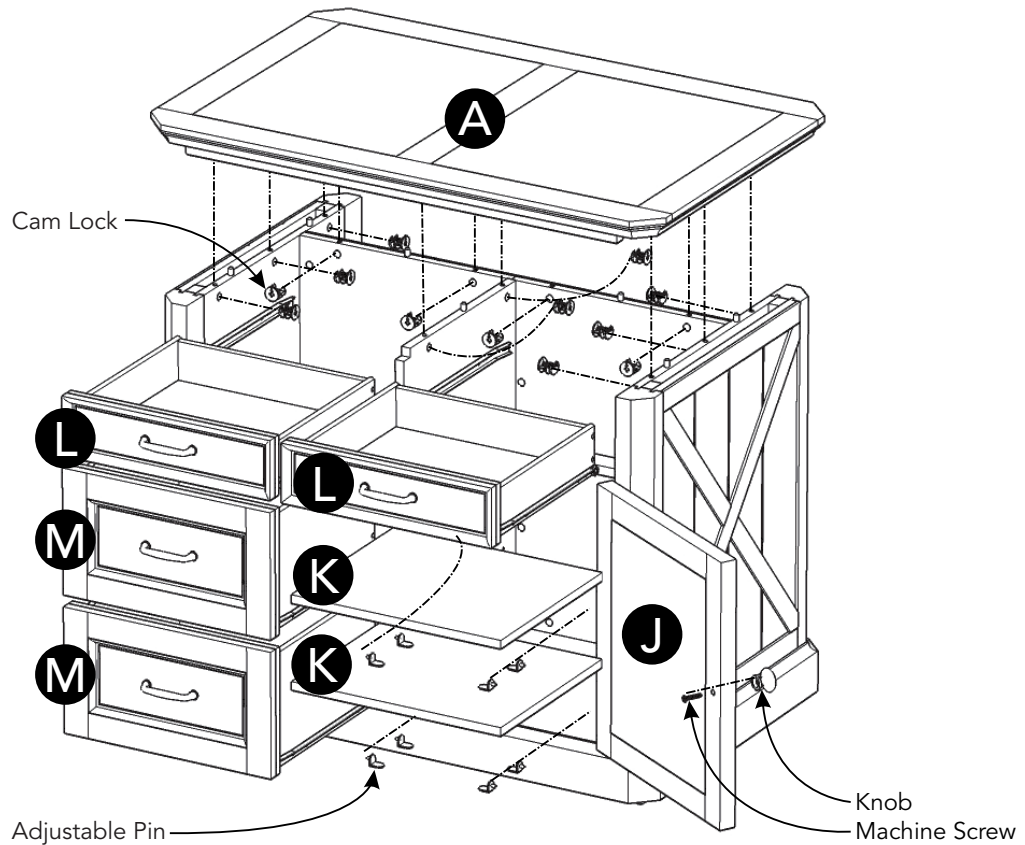


Figure 5

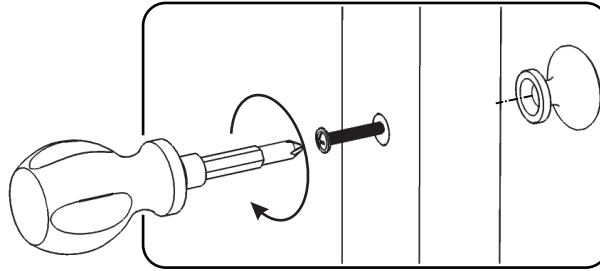


Figure 6

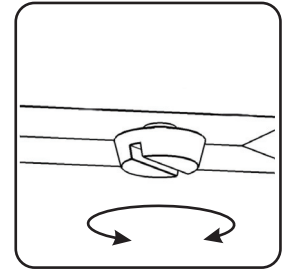


Figure 7

STEP 12

Turn unit from Step 5 over to its' upright position.

Attach Top (A) to unit with Cam Locks.

Insert Adjustable Pins into side panel and middle panel at desired level.

Place Shelves (K) into position.

Attach Door (J) to unit by sliding door hinges into side panel hinges. (See Figure 5)

Attach Knob to Door (J) with Machine Screw. (See Figure 6)

Slide Drawers (L) and (M) into position.

Level unit by adjusting the adjustable levelers on bottom of unit. (See Figure 7)

Note: Unit must be level to work properly.

CARE INSTRUCTIONS

NEVER

allow liquids to remain on furniture.
Absorption causes parts to warp
and split and finishes to delaminate.

NEVER

use glass cleaners on
finished furniture. Ammonia
chemically attacks the finish.



Do not use power tools
above 8 volts to assemble.
**PREVENT
CRACKING**



Do not place
in direct sunlight.
**PREVENT
FADING**



Do not write
directly on surface.
**PREVENT
MARKING**



Do not place hot
objects on surface.
**PREVENT
FINISH DAMAGE**



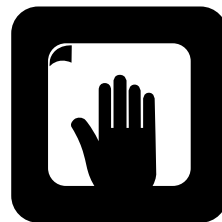
Do not use rubber
based placemats.
**PREVENT
DISCOLORING**



Do not use commercial
waxes and polishes.
**PREVENT
YELLOWING**

CLEAN

with a soft cloth moistened
in lukewarm soap and water.
Buff with a dry clean cloth.



Home Styles will provide replacements free of charge for missing or damaged hardware or parts within 30 days of purchase. Digital images of the defective parts may be required. If the product was not purchased from an authorized retail affiliate, Home Styles is under no obligation to provide replacement parts. Parts are not available for fully assembled items nor are parts available for sale. Replacements for missing or damaged hardware or parts may be requested at:

www.homestyles-furniture.com/customer-service/replacement-parts

Home Styles Customer Service: www.homestyles-furniture.com,
servicedesk@homestyles-furniture.com, 888-680-7460, 877-831-0319