



bestchoiceproducts



INSTRUCTION MANUAL

Multipurpose Modern
Bookshelf w/ Cabinet

! NOTICE

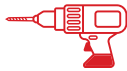
Please retain these instructions for future reference.

- Please do not exceed the weight limitations of this item.
- Do not stand on or use any part of this item as a step ladder.
- Firmly secure all bolts, screws, and knobs before use.
- Reconfirm that all bolts, screws, and knobs are secure every 90 days.
- Fasten screws loosely during initial assembly. Do not firmly tighten the screws until the item is completely assembled.
- Do not use or store this item in the proximity of open flame or flammable/combustible chemicals.
- Be aware that some parts are heavy and have sharp edges.
- If any parts are missing, broken, damaged, or worn, stop using this product until repairs are made and/or factory replacement parts are installed.
- Do not use this item in a way inconsistent with the manufacturer's instructions as this could void the product warranty.

TOOLS REQUIRED



ALLEN WRENCH
(PROVIDED)



ELECTRIC DRILL
(OPTIONAL)



66.14 LBS
CAPACITY

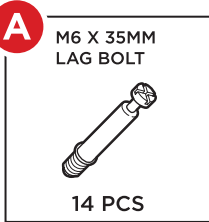


1 PERSON
ASSEMBLY

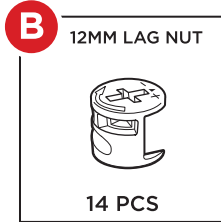


UP TO 45 MIN.
ASSEMBLY

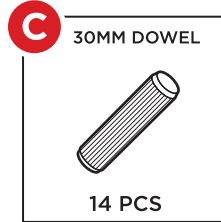
HARDWARE



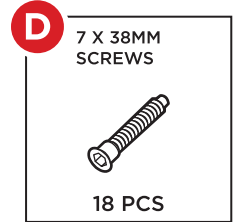
14 PCS



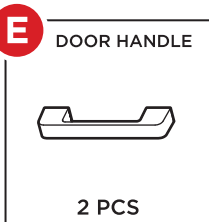
14 PCS



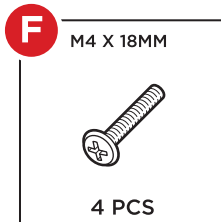
14 PCS



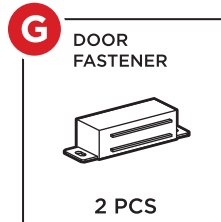
18 PCS



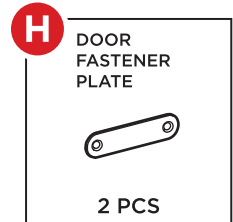
2 PCS



4 PCS



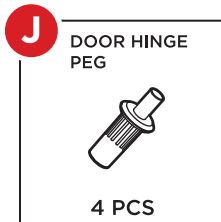
2 PCS



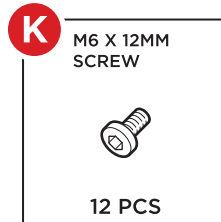
2 PCS



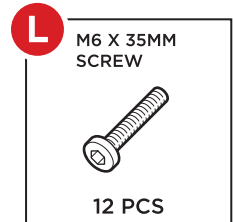
8 PCS



4 PCS

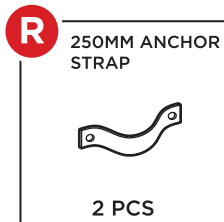
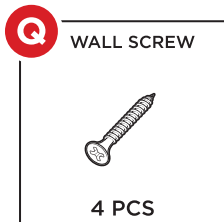
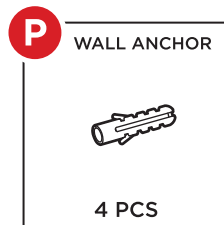
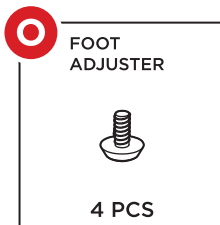
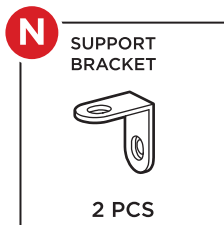
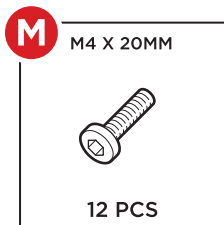


12 PCS

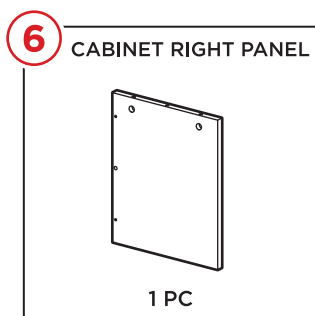
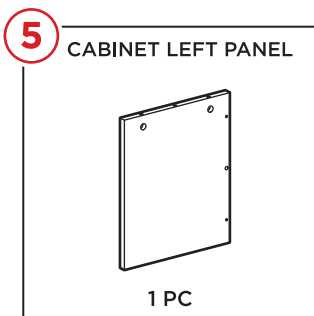
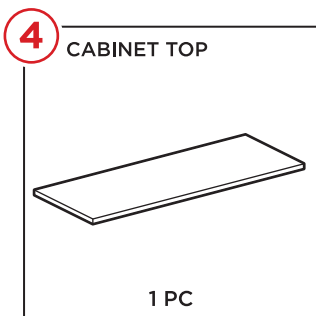
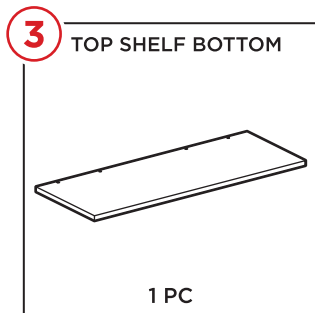
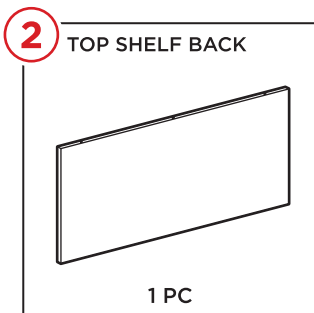
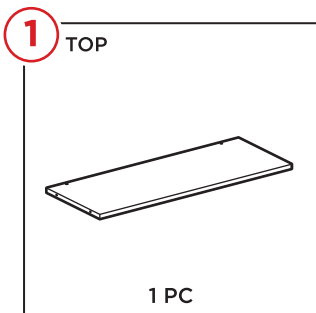


12 PCS

HARDWARE



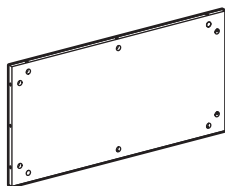
PARTS



PARTS

7

CABINET BACK



1 PC

8

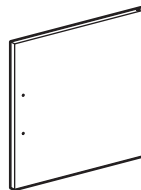
CABINET BOTTOM



1 PC

9

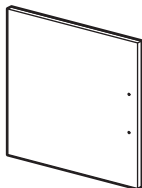
CABINET LEFT DOOR



1 PC

10

CABINET RIGHT DOOR



1 PC

11

BOTTOM SHELF



1 PC

12

LEFT TOP FRAME



1 PC

13

RIGHT TOP FRAME



1 PC

14

BOTTOM FRAME



2 PCS

15

SHELF CONNECTOR



6 PCS

CALIFORNIA PROPOSITION 65

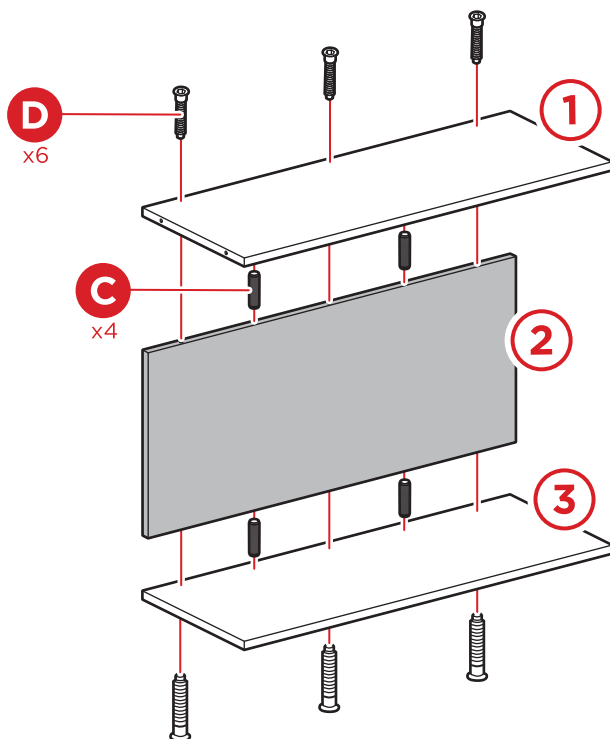
⚠️ WARNING: This product can expose you to Carbon monoxide, which is known to the State of California to cause birth defects or other reproductive harm. For more information go to www.P65Warnings.ca.gov

⚠️ WARNING: This product can expose you to chemicals including Di(2-ethylhexyl) phthalate (DEHP), which is known to the State of California to cause cancer and birth defects or other reproductive harm. For more information go to www.P65Warnings.ca.gov

PRODUCT ASSEMBLY

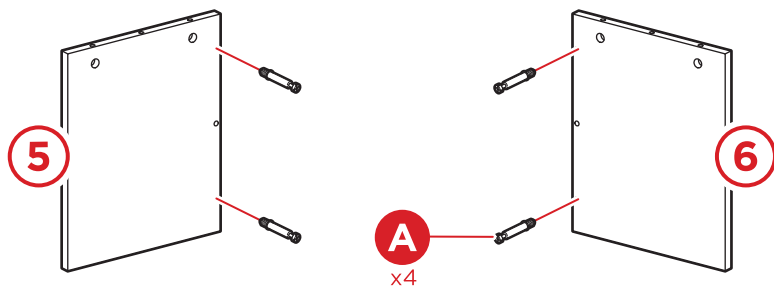
1

Attach the part 1 top and part 3 top shelf bottom to the part 2 top shelf back with four part C dowels and six part D screws. Set aside.



2

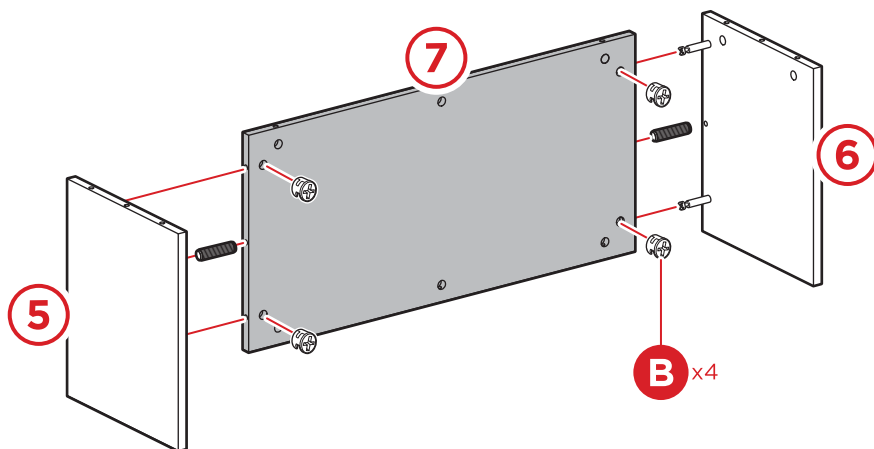
Insert four part A lag bolts into the part 5 & 6 left & right cabinet sides, two bolts per side.



PRODUCT ASSEMBLY

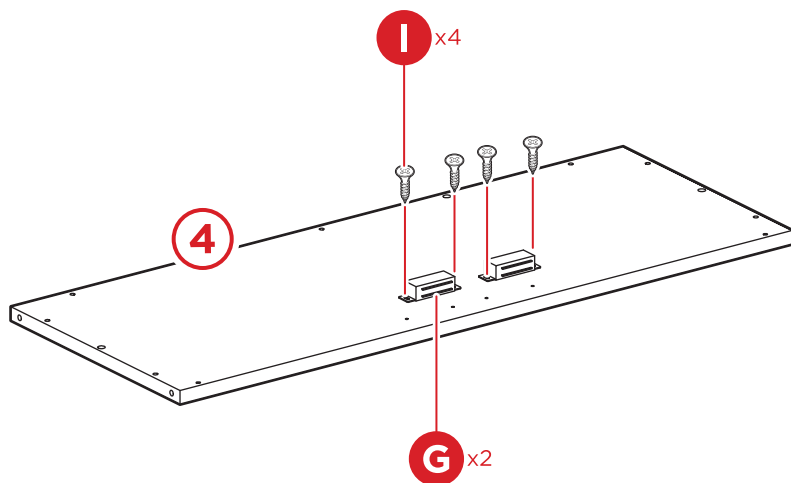
3

Insert four part B lag nuts and two part C dowels into the part 7 cabinet back, then attach the part 5 & 6 cabinet sides. Set aside.



4

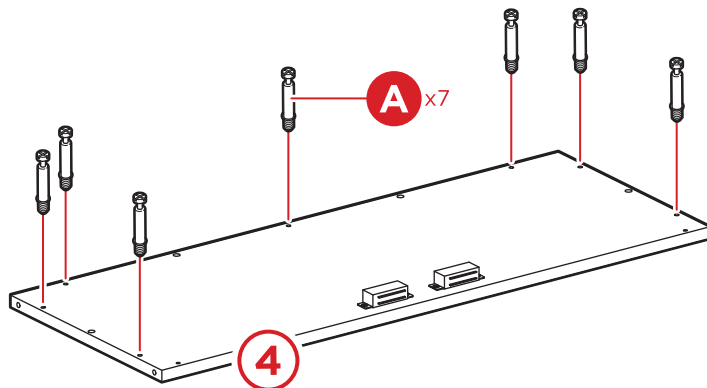
Attach two part G door fasteners to the part 4 cabinet top with four part I screws.



PRODUCT ASSEMBLY

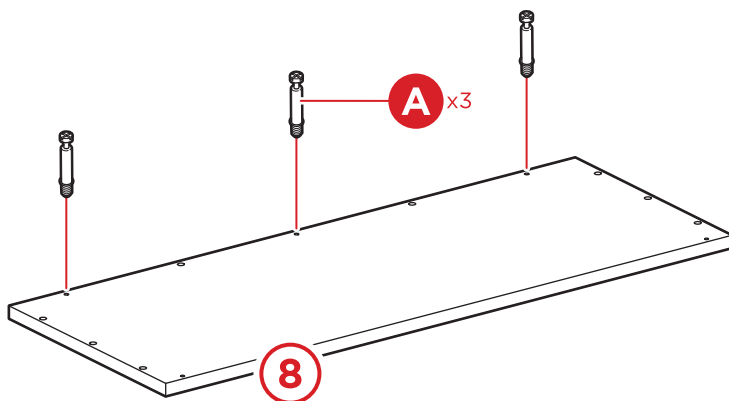
5

Insert seven part A lag bolts into the part 4 cabinet top.



6

Insert three part A lag bolts into the part 8 cabinet bottom.



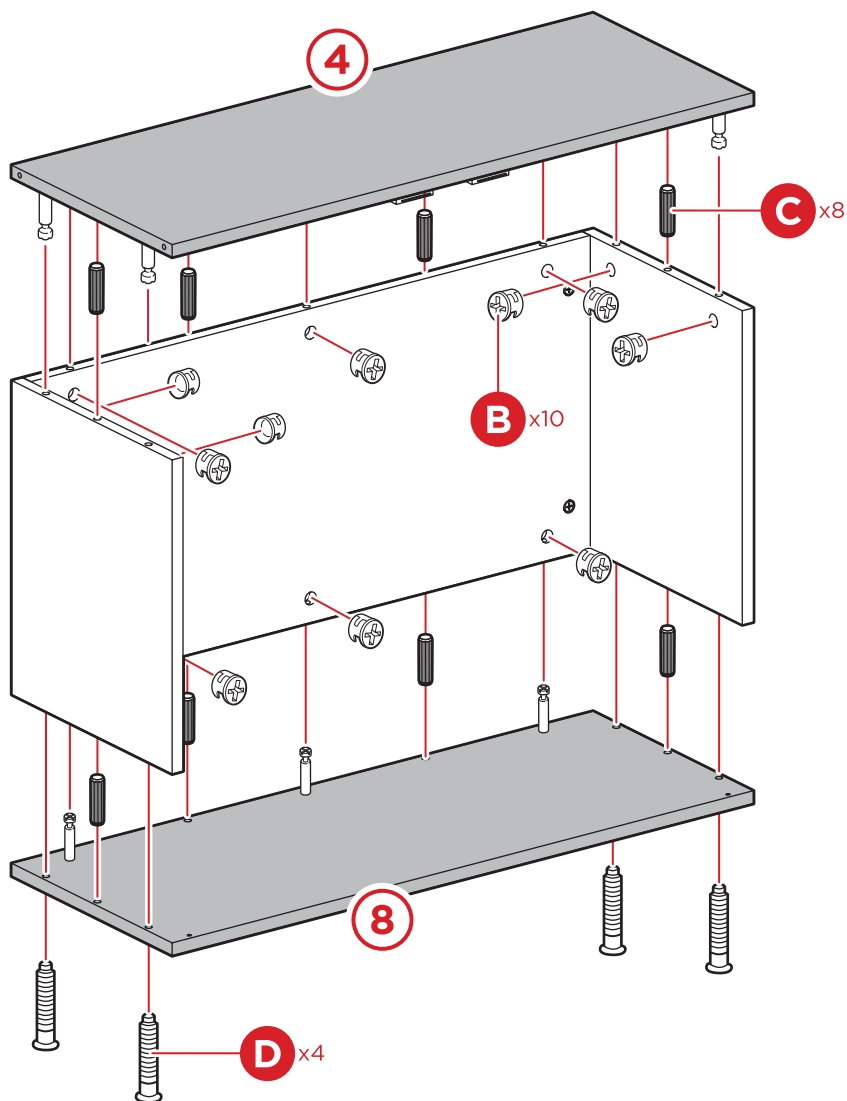
PRODUCT ASSEMBLY

7

Locate the cabinet side assembly and insert ten part B lag nuts, six nuts in the cabinet back and two each in the cabinet sides.

Attach the part 4 cabinet top to parts 5, 6, and 7 with four part C dowels. Tighten the lag bolts.

Attach the part 8 cabinet bottom to parts 5, 6, and 7 with four part C dowels and four part D screws. Tighten the lag bolts.

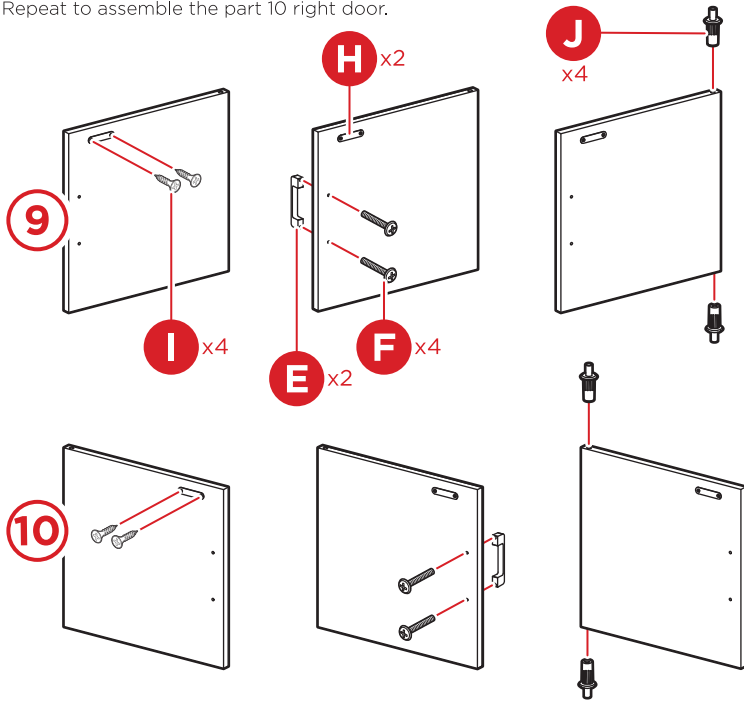


PRODUCT ASSEMBLY

8

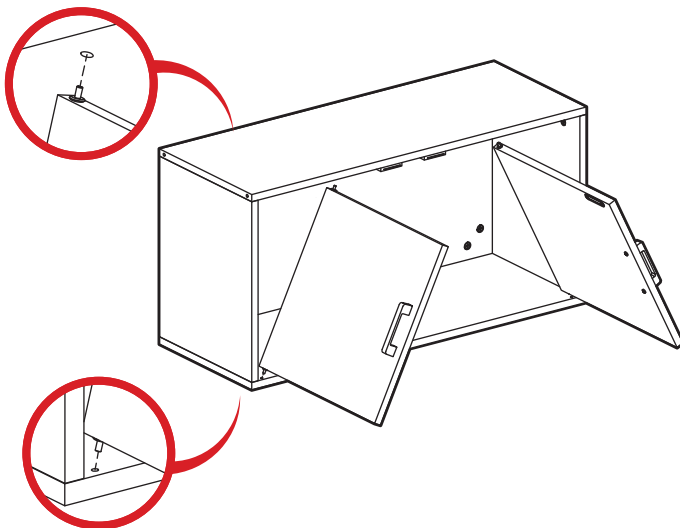
Attach one part H fastener plate to the part 9 left door with two part I screws. Attach the part E handle with two part F screws. Insert two part J hinge pegs.

Repeat to assemble the part 10 right door.



9

Locate the hinge slots in the cabinet top and bottom and insert the part 9 & 10 doors.

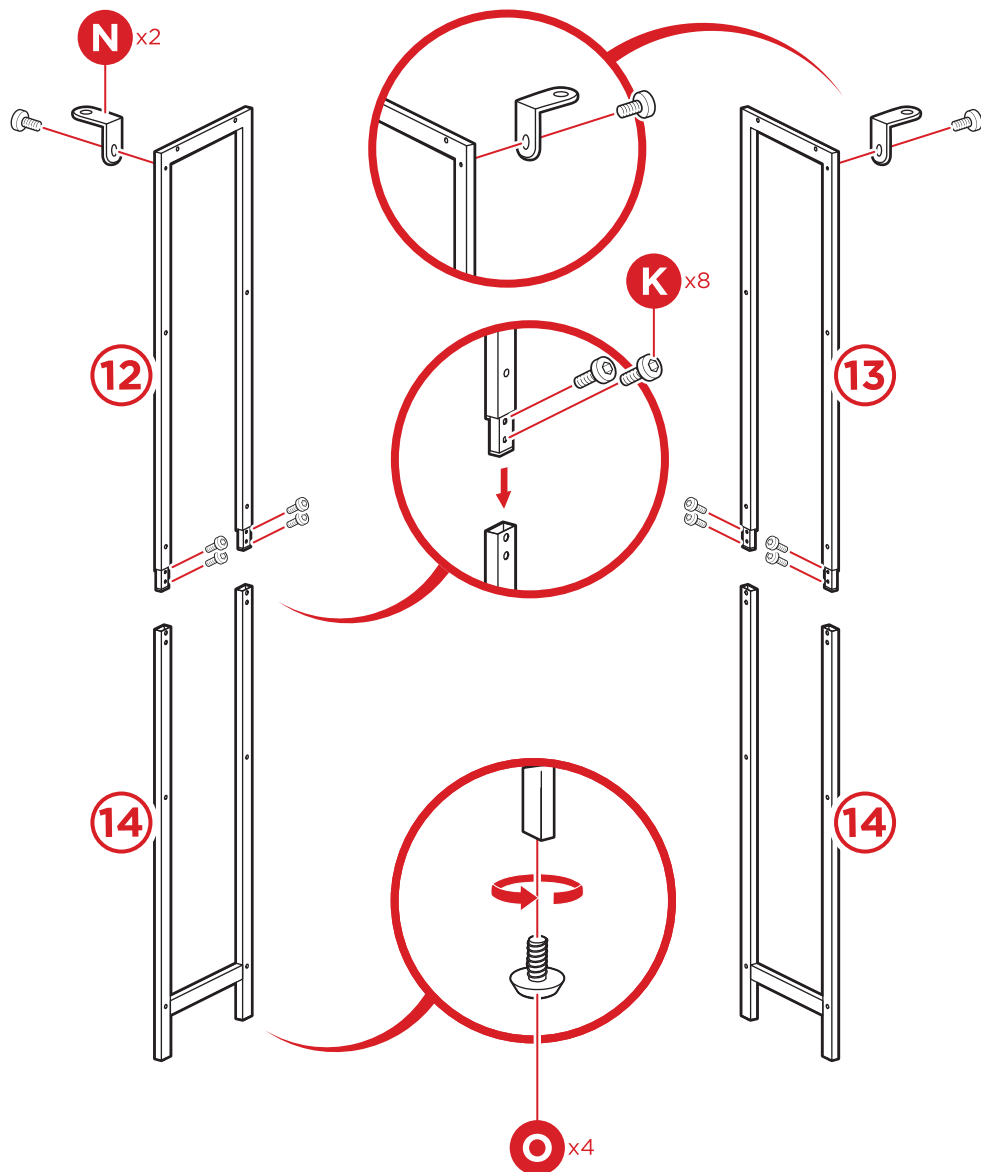


PRODUCT ASSEMBLY

10

Locate two part 14 bottom frames and insert four part O foot adjusters. Attach the bottom frames to the part 12 & 13 left and right frames with eight part K screws, four per side.

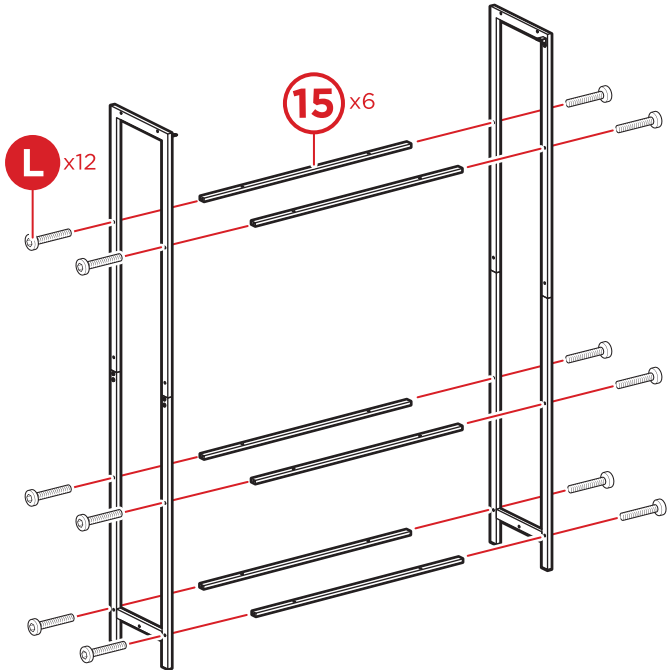
Attach two part N support brackets to the part 12 & 13 left and right frames with two part K screws.



PRODUCT ASSEMBLY

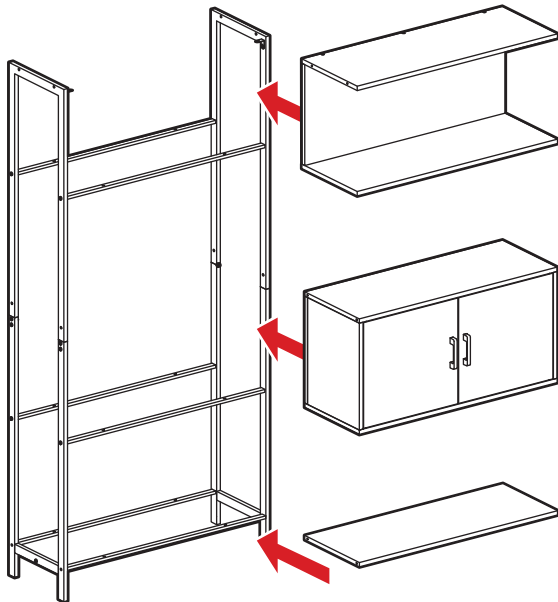
11

Connect the two side frame assemblies with six part 15 shelf connectors, secure with twelve part L screws, six screws per side.



12

Place the top shelf, cabinet, and part 11 bottom shelf onto the frame assembly.



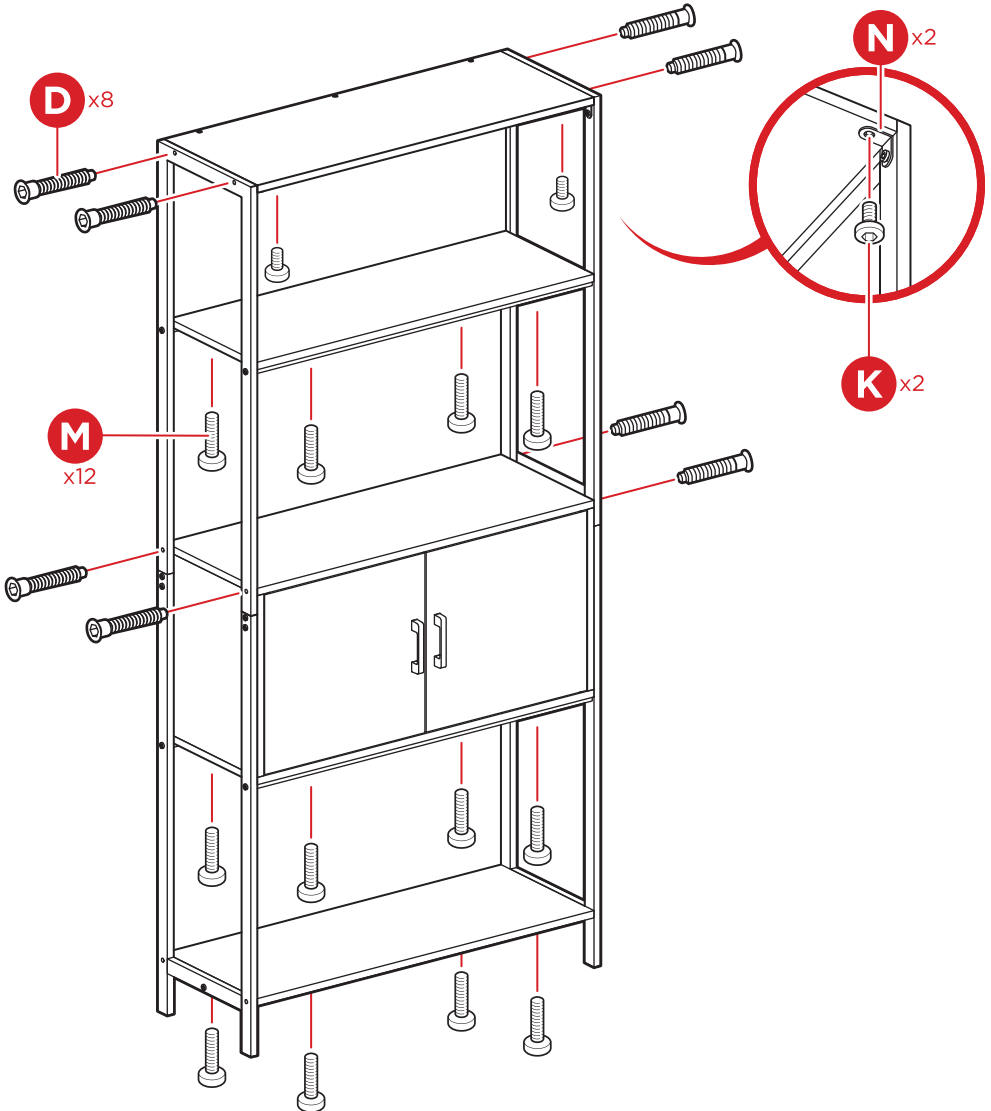
PRODUCT ASSEMBLY

13

Attach the part 1 top, part 4 cabinet top, and part 11 shelf to the frame assembly with eight part D screws.

Attach the part 3 top shelf bottom, part 8 cabinet bottom, and part 11 bottom shelf to the part 15 connectors with twelve part M screws.

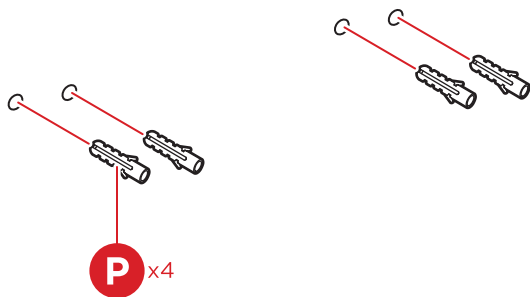
Attach the two part N support brackets to the part 1 top with two part K screws.



WALL MOUNTING

1

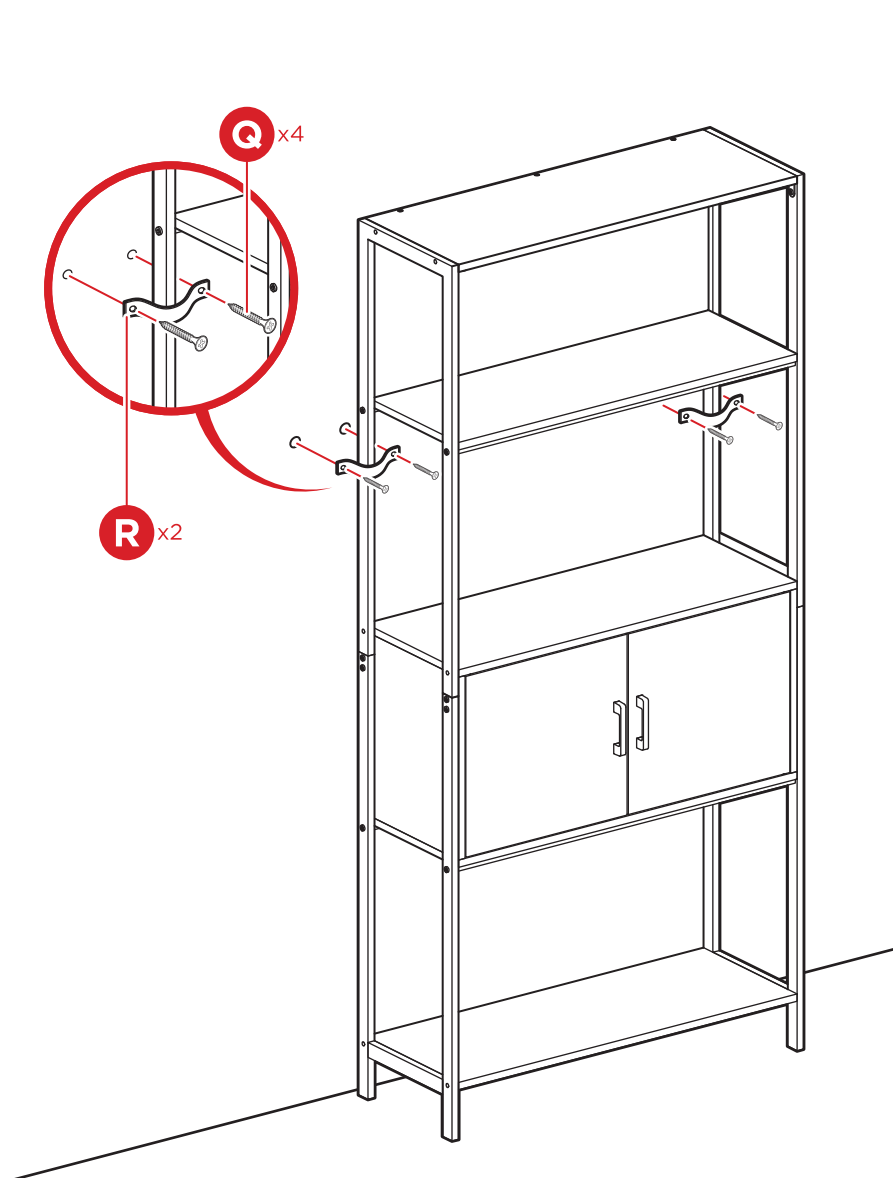
Select an appropriate location, then mark two spaces on the wall using the part R anchor straps. Use a drill on the marked spaces and insert two part P wall anchors into the inner holes.



WALL MOUNTING

2

Replace the straps, overlap the bookshelf frame, then attach the part R anchor straps with four part Q wall screws.



Earn points while you shop. Join today!

bestchoiceproducts
rewards\$

Join | Earn | Redeem

Give your friends 15% off their first order! For each successful referral you'll receive 100 points.

bestchoiceproducts.com

The logo for Best Choice Products, consisting of the lowercase letters 'bcp' in white on a red square background.

HELP CENTER



Question about your product? We're here to help. Visit us at:

help.bestchoiceproducts.com



Product Assembly



Returns & Refunds

PRODUCT WARRANTY INFORMATION

All items can be returned for any reason within 60 days of the receipt and will receive a full refund as long as the item is returned in its original product packaging and all accessories from its original shipment are included. All returned items will receive a full refund back to the original payment method. All returned items will not be charged a re-stocking fee.

All returned items require an RA (Return Authorization) number, which can only be provided by a Best Choice Products Customer Service Representative when the return request is submitted. Items received without an RA may not be accepted or may increase your return processing time. Once an item has been received by Best Choice Products, refunds or replacements will be processed within 5 business days.

All returns must be shipped back to the Best Choice Products Return Center at the customer's expense. If the reason for return is a result of an error by Best Choice Products then Best Choice Products will provide a pre-paid shipping label via email. Boxes for return shipping will not be provided by Best Choice Products, and is the customer's responsibility to either use the original shipping boxes or purchase new boxes.

Pictures may be required for some returns to ensure an item is not damaged prior to its return. Items returned are not considered undamaged until they are received by Best Choice Products and verified as such. All damages to items are the customer's responsibility until the item has been received by and acknowledge by Best Choice Products as undamaged.

WARNING

Manufacturer and seller expressly disclaim any and all liability for personal injury, property damage or loss, whether direct, indirect, or incidental, resulting from the incorrect attachment, improper use, inadequate maintenance, unapproved modification, or neglect of this product.