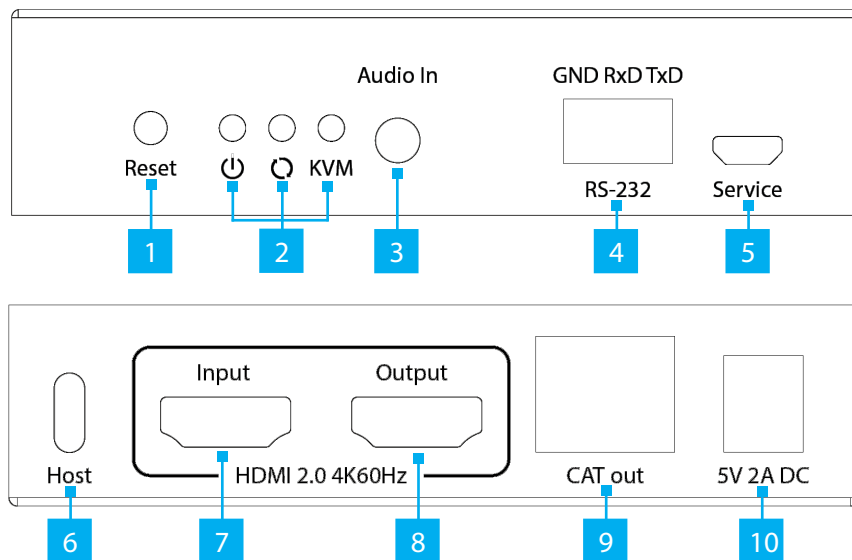


## HDMI KVM Console Extender over IP - 4K 60Hz

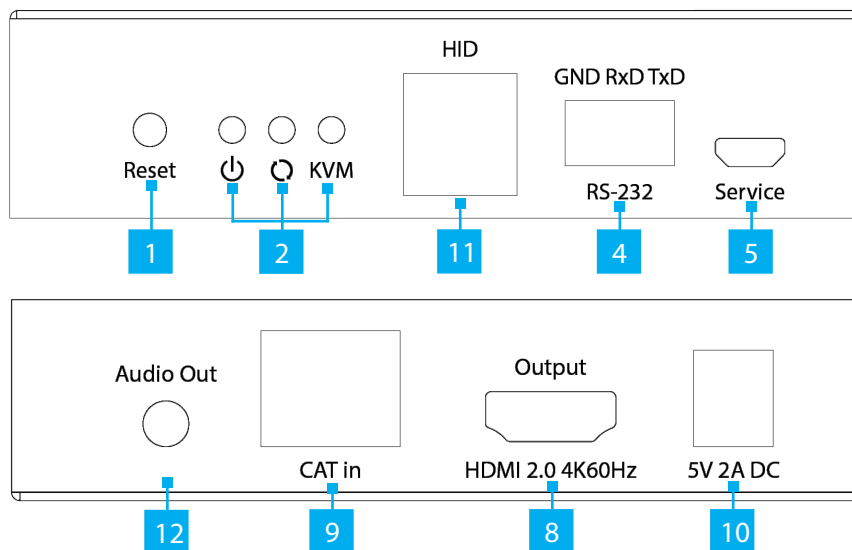
### Product ID

IH2006-KVM-EXTENDER

#### Transmitter



#### Receiver



Component	Function	
1	Reset Button	• Press to restart the Transmitter or Receiver
2	Power / Sync / KVM LED	• Refer to LED Chart
3	3.5mm Audio Input	• Connect to a 3.5mm Stereo Audio Device
4	Terminal Block Serial Connection (GND/RxD/TxD)	• <b>Transmitter and Receiver:</b> Connect a <b>RS232 Serial Device</b> to the <b>Terminal Block</b> for bidirectional communication • Supports Baud Rates of 2400, 4800, 9600, 19200, 38400, 57600, and 115200
5	Service Port	• For <b>Manufacturer</b> use only
6	USB-C Host Port	• Connect to a <b>USB-C Port</b> on the <b>Host Computer</b>
7	HDMI Input Port	• Connect to an <b>HDMI Port</b> on the <b>Host Computer</b>
8	HDMI Output Port	• Connect to an <b>HDMI Display</b>
9	Network Port	• Connect the <b>Transmitter or Receiver</b> to a <b>Network Router, Switch, or Hub</b>
10	DC Input Port	• Connect the included <b>Universal Power Adapter</b>
11	USB HID Ports	• Connect a <b>USB Mouse and/or Keyboard</b> • Supports <b>USB 480Mbps</b>
12	3.5mm Audio Output	• Connect to a <b>3.5mm Stereo Audio Device</b> (e.g. Speakers)

### Product Information

For the latest product information, technical specifications, and declarations of conformance, please visit: [www.StarTech.com/IH2006-KVM-EXTENDER](http://www.StarTech.com/IH2006-KVM-EXTENDER)

### Package Contents

- KVM Extender Transmitter x 1
- KVM Extender Receiver x 1
- RS-232 Terminal Headers x 2
- Mounting Kit x 2
- Set of Rubber Feet x 2
- Universal Power Adapter (NA/EU/UK) x 2
- Quick-Start Guide x 1

## Installation

### (Optional) Install the Mounting Bracket

1. Determine the **Mounting Surfaces** for the **KVM Extender Transmitter** and **Receiver**.
2. Place the **Mounting Brackets** on each side of the **KVM Extender Transmitter**. Align the **Holes** in the **Mounting Brackets** with the **Holes** on the sides of the **KVM Extender Transmitter**.
3. Insert two of the included **Screws** through each **Mounting Bracket** and into the **KVM Extender Transmitter**.
4. Tighten each **Screw** using a **Phillips Head Screwdriver**.
5. Mount the **KVM Extender** to the desired **Mounting Surface** using the appropriate **Mounting Hardware** (e.g. Wood Screws).
6. Repeat **Steps 2 to 5** for the **KVM Extender Receiver**.

### Installing the Transmitter and Receiver

1. Position the **Transmitter** near the **Host Computer**.
2. Connect an **HDMI Cable** (sold separately) from the **Host Computer** to the **HDMI Input Port** on the **Transmitter**.
3. Connect a **USB Type-C Cable** (sold separately) from the **Host Computer** to the **USB-C Host Port** on the **Transmitter**.
4. (Optional) Connect an **HDMI Cable** (sold separately) from the **HDMI Output Port** on the **Transmitter** to a **Local HDMI Display**.
5. (Optional) Connect a **3.5mm Audio Cable** (not included) from an **Audio Source** to the **Audio Input Port** on the **Transmitter**.
6. Position the **Receiver** near the **HDMI Display Device**.
7. Connect an **Ethernet Cable** (sold separately) from the **Network Port** on the **Transmitter** to a **Network Hub, Switch, or Router**.

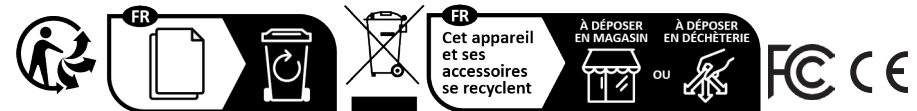
**Note:** For optimal performance, it is recommended to use gigabit networking equipment and CAT6 cabling between the transmitter and receiver.

**Note:** Your router must support IGMP snooping and 9K Jumbo frames. Please refer to your network switch or router documentation to ensure IGMP snooping is supported and enabled.

8. Connect an **HDMI Cable** (sold separately) from the **HDMI Output Port** on the **Receiver** to the **HDMI Display Device**.
9. Connect a **USB Mouse** and **Keyboard** to the **USB HID Ports** on the **Receiver**.
10. (Optional) Connect a **3.5mm Audio Cable** (sold separately) from the **Audio Output Port** on the **Receiver** to an **Audio Device** (e.g. Speakers).
11. Connect an **Ethernet Cable** (sold separately) from the **Network Port** on the **Receiver** to a **Network Hub, Switch, or Router**.
12. Connect the included **Universal Power Adapters** to the **DC Input Port** on the **Transmitter** and **Receiver** and to an **Electrical Outlet**.

## LED Chart

LED	Status
Power Indicator	<ul style="list-style-type: none"> <li>• <b>Solid Blue:</b> Indicates the unit is receiving Power</li> </ul>
Sync Indicator	<ul style="list-style-type: none"> <li>• <b>Off:</b> Transmitter and Receiver have no established a connection</li> <li>• <b>Slow Orange Flash:</b> Transmitter and Receiver are connected via Gigabit Ethernet but no Video is transmitting</li> <li>• <b>Quick Orange Flash:</b> Transmitter and Receiver are connected via 100Mbps Ethernet but no Video is transmitting</li> <li>• <b>Solid Orange:</b> Video is transmitting</li> </ul>
KVM Indicator	<ul style="list-style-type: none"> <li>• <b>Flashing:</b> KVM data is transmitting</li> <li>• <b>Solid:</b> Computer and USB Port are connected</li> </ul>



Points de collecte sur [www.quefairedemesdechets.fr](http://www.quefairedemesdechets.fr)  
Privilégiez la réparation ou le don de votre appareil !

**StarTech.com Ltd.**  
45 Artisans Crescent  
London, Ontario  
N5V 5E9  
Canada

**StarTech.com LLP**  
4490 South Hamilton  
Road  
Groveport, Ohio  
43125  
U.S.A.

**StarTech.com Ltd.**  
Unit B, Pinnacle 15  
Gowerton Road  
Brackmills,  
Northampton  
NN4 7BW  
United Kingdom

**StarTech.com Ltd.**  
Siriusdreef 17-27  
2132 WT Hoofddorp  
The Netherlands

FR: startech.com/fr  
DE: startech.com/de  
ES: startech.com/es  
NL: startech.com/nl  
IT: startech.com/it  
JP: startech.com/jp