

# 5269-N



Color:  Black

UPC Code: 07847785157

Country Of Origin: Mexico

*\*Eligible for ARRA funded projects > \$7,443,000*

NEMA:  
5-15R



# 5269-N

## Brand Features

When it comes to the demanding nature of today's commercial and industrial electrical environments, ruggedness and ease of installation are the features you look for first in any line of plugs and connectors. Leviton's Python straight-blade plugs and connectors hold up under the most exacting requirements, the toughest conditions, the roughest handling. Python's exceptional design features meet your needs for a quick, easy-to-wire plug and connector system, a must in today's faced-paced world where lost minutes on a job can translate into lost profits.

## Item Description

15 Amp, 125 Volt, NEMA 5-15R, 2P, 3W, Connector, Straight Blade, Industrial Grade, Grounding - Black

## Technical Information

### Electrical Specifications

**Dielectric Voltage:** Withstands 2000V per UL498

**Grounding:** Grounding

**Temperature Rise:** Max 30C after 250 cycles OL at 200 percent rated current

**Voltage:** 125 Volt

**Current Interrupting:** Certified for current interrupting at full rated current

**Amperage:** 15 Amp

**Wire:** 3

**Pole:** 2

### Environmental Specifications

**Operating Temperature:** -40C to 60C

**Flammability:** Rated HB or better UL94

### Material Specifications

**Body Material:** Impact Modified Nylon

**Back Cover:** Thermoplastic

**Terminal Screws:** Brass

**Wire Module:** Nylon

**Color:** Black

**Cord-Clamp:** Nylon

**Blades/Contacts:** Solid Brass

**Clamp Insert:** Nylon

**Assembly Screws:** Steel, Zinc Plated

### Mechanical Specifications

**Product ID:** Ratings and NEMA I.D. permanently marked on device

**Terminal ID:** Brass-Hot, Green-Ground, Silver-Neutral

**Terminal Accom.:** 18-10 AWG

**Cord Range:** .245 - .700

### Product Features

**Color:** Black

**NEMA:** 5-15R

### Standards and Certifications

**UL 498:** File E13399

**Warranty:** Lifetime Warranty

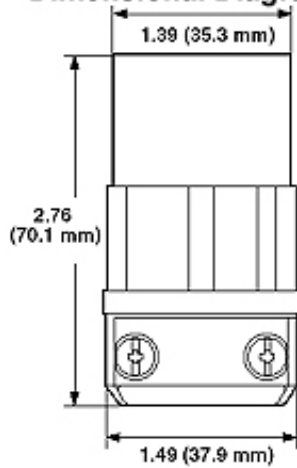
**CSA C22.2 No. 42:** File LR-406

**ANSI:** C-73

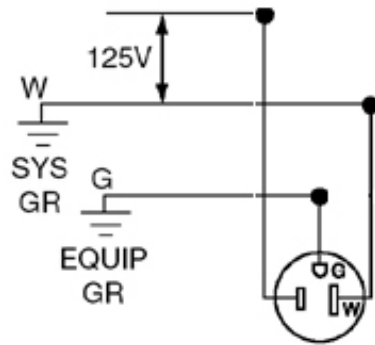
**NOM:** 057

**NEMA:** WD-6

### Dimensional Diagram



### Wiring Diagram



5-15R

### SPECIFICATION SUBMITTAL

JOB NAME:	CATALOG NUMBERS:	
<input type="text"/>	<input type="text"/>	<input type="text"/>
JOB NUMBER:	<input type="text"/>	<input type="text"/>

#### Leviton Manufacturing Co., Inc.

201 North Service Road, Melville, NY 11747

Teléfono: +1-800-323-8920 · FAX: +1-800-832-9538 · Tech Line (8:30AM-7:30PM E.S.T. Monday-Friday): +1-800-824-3005

#### Leviton Manufacturing of Canada, Ltd.

165 Hymus Boulevard, Pointe Claire, Quebec H9R 1E9 · Telephone: +1-800-469-7890 ·

FAX: +1-800-824-3005 · [www.leviton.com/canada](http://www.leviton.com/canada)

#### Leviton S. de R.L. de C.V.

Lago Tana 43, Mexico DF, Mexico CP 11290 · Tel.: (+52)55-5082-1040 · FAX: (+52)5386-

1797 · [www.leviton.com.mx](http://www.leviton.com.mx)

Visit our Website at: [www.leviton.com](http://www.leviton.com)

© 2012 Leviton Manufacturing Co., Inc. Todos los derechos reservados. Subject to change without notice.

#### Leviton has a global presence.

If you would like to know where your local Leviton office is located please go to:

[www.leviton.com/international/contacts/](http://www.leviton.com/international/contacts/)



*\*Leviton is the smart choice, providing the most comprehensive range of solutions to meet the needs of today's residential, commercial and industrial buildings. Leveraging more than a century of experience, Leviton helps customers create sustainable, intelligent environments through its electrical wiring devices, network and data center connectivity solutions, and lighting energy management systems. From switches and receptacles, to daylight harvesting controls, networking systems, and equipment for charging electric vehicles, Leviton solutions help customers achieve savings in energy, time and cost, all while enhancing safety.*