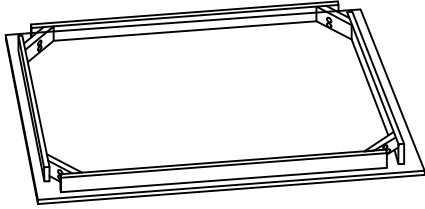


ASSEMBLY INSTRUCTION

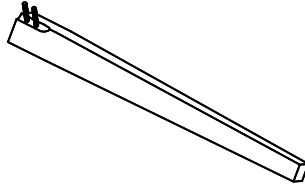
E557-60 60" DINING TABLE

A TABLE TOP



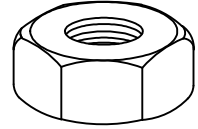
1 pc

B TABLE LEG



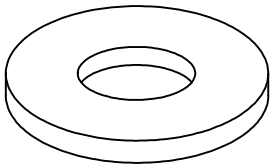
4 pcs

C HEX NUT
Ø 5/16" x 12 mm



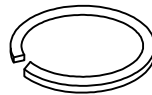
8 pcs

D FLAT WASHER
Ø 5/16" x 19 mm



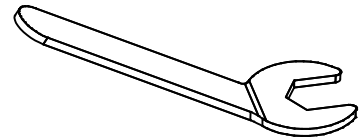
8 pcs

E LOCK WASHER
Ø 5/16" x 13 mm

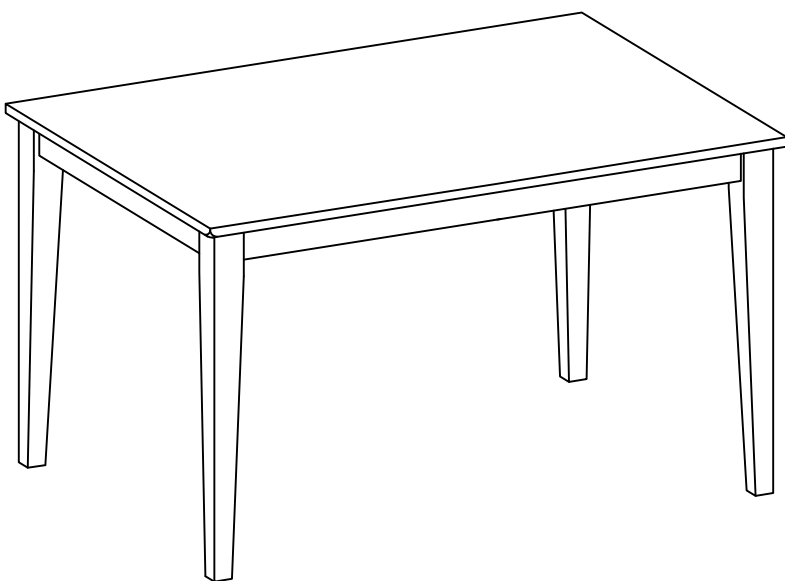


8 pcs

F WRENCH
12 mm

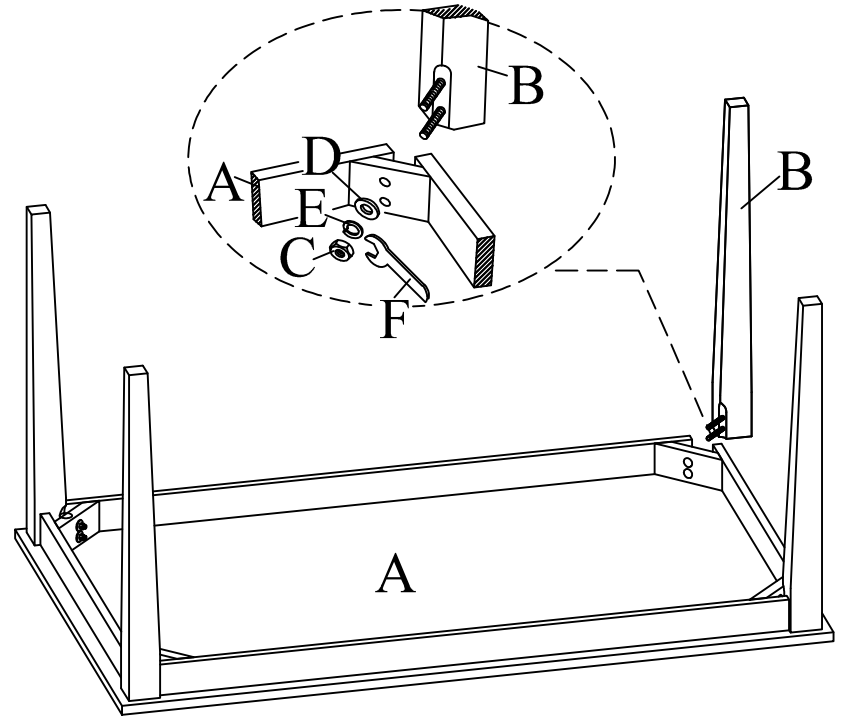


1 pc

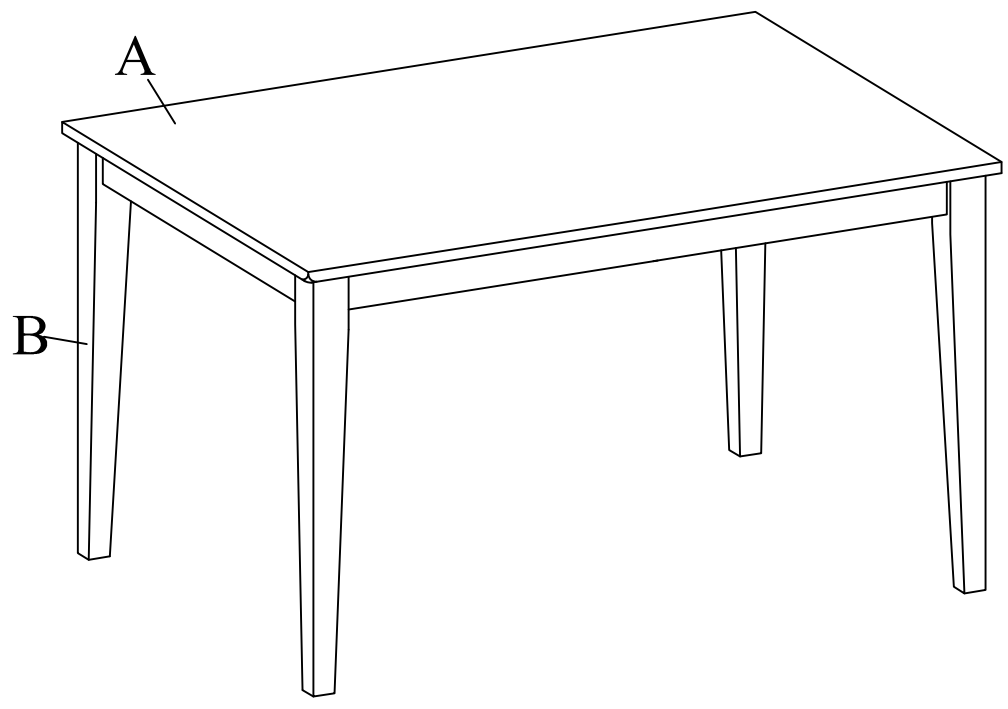


This page lists all the contents included in the box. Please take the time to identify the hardware as well as the individual components to this product. As you unpack and prepare for assembly, place the contents on a carpeted or padded area to protect them from damage.

1 Place the Table Top (A) up side down on the floor with a piece of cloth or carpet underneath to prevent the finish from scratching. Attach the Table Leg (B) to Table Top (A) using Flat Washer (D), Lock Washer (E) and Hex Nut (C) by Wrench (F). Do not fully tighten.



2 Turn the Table to upright position, place it on flat surface and adjust legs so that Table is level and does not wobble. Assembly product is now completed .

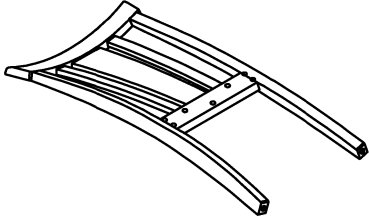


Cleaning & Care :
Treat surface with care. Surface is resistant to scratches but is not scratch resistant. Clean surface with a dry or damp soft cloth. Do not use abrasive cleaners. Hardware may loosen over time. Periodically check that all connections are tight.

ASSEMBLY INSTRUCTION

SLAT BACK SIDE CHAIR

A CHAIR BACK



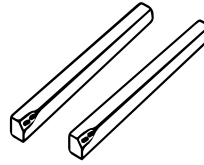
1 pc

B WOODEN SEAT



1 pc

C FRONT LEG



2 pcs

D BOLT
 $\text{\O} \frac{1}{4}'' \times 75 \text{ mm}$



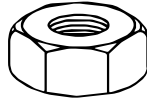
4 pcs

E BOLT
 $\text{\O} \frac{1}{4}'' \times 40 \text{ mm}$



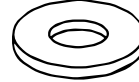
3 pcs

F HEX NUT
 $\text{\O} \frac{5}{16}'' \times 12 \text{ mm}$



4 pcs

G FLAT WASHER
 $\text{\O} \frac{5}{16}'' \times 19 \text{ mm}$



11 pcs

H LOCK WASHER
 $\text{\O} \frac{5}{16}'' \times 13 \text{ mm}$



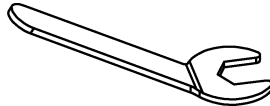
11 pcs

I ALLEN KEY
4 mm

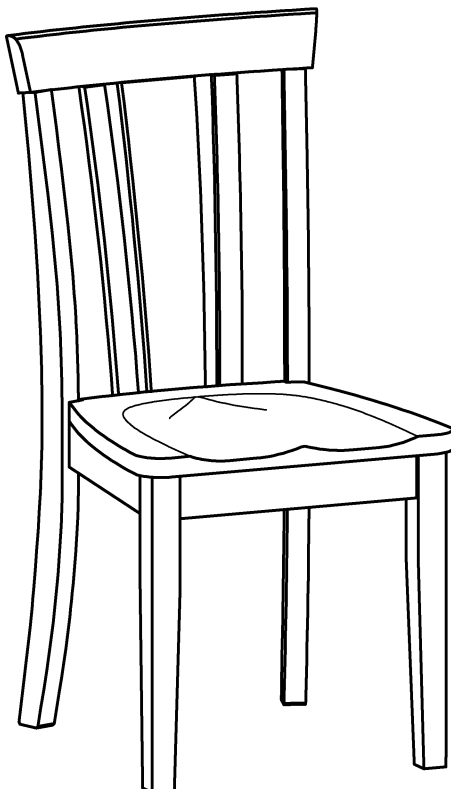


1 pc

J WRENCH
12 mm



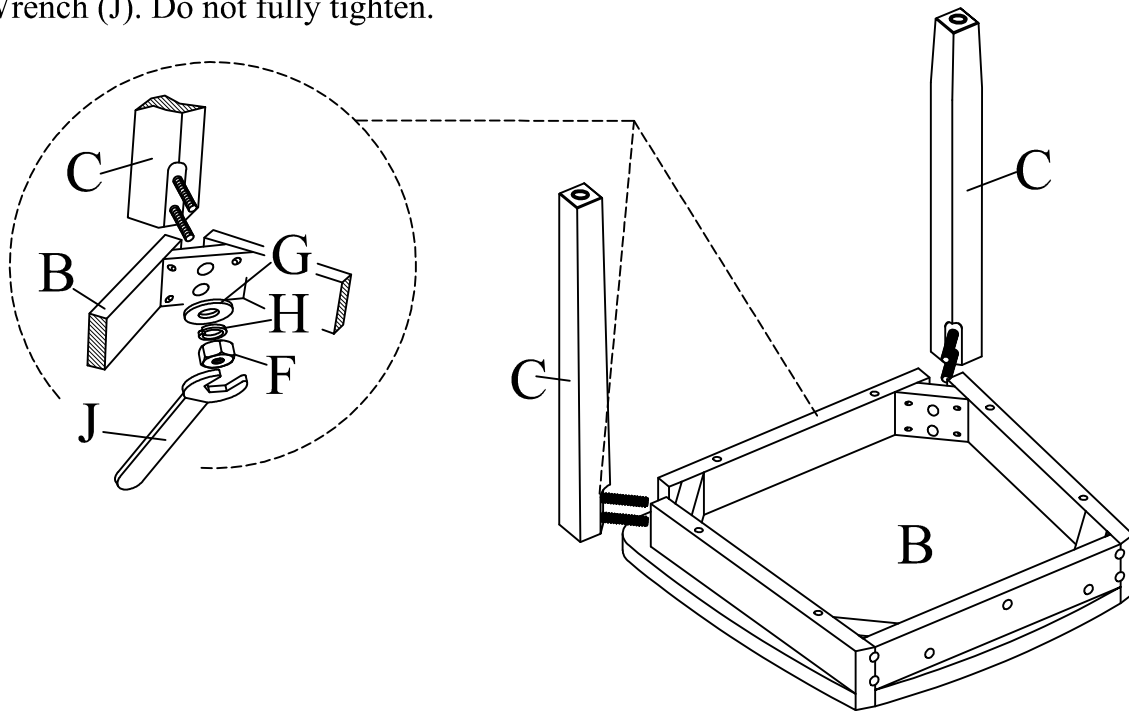
1 pc



This page lists all the contents included in the box. Please take the time to identify the hardware as well as the individual components to this product. As you unpack and prepare for assembly, place the contents on a carpeted or padded area to protect them from damage.

1

Attach the Front Leg (C) to Wooden Seat (B) using Flat Washer (G), Lock Washer (H) and Hex Nut (F) by Wrench (J). Do not fully tighten.

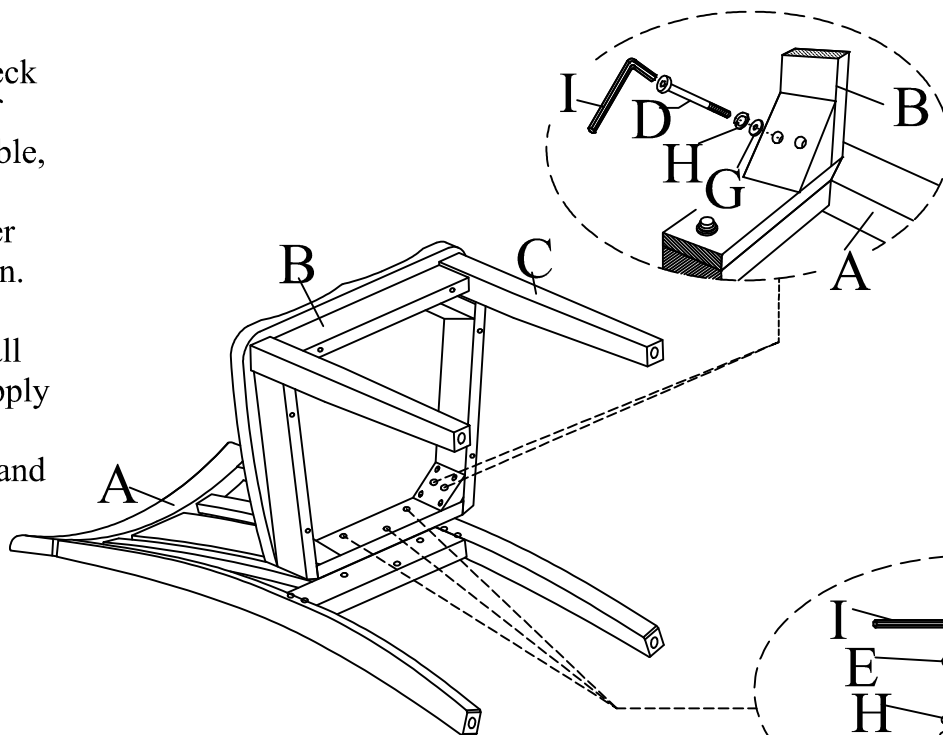


Take the Allen Wrench, and turn the bolts until the legs are secure. **DO NOT TIGHTEN COMPLETELY.** Stop when you feel you are adding force to tighten the bolt.

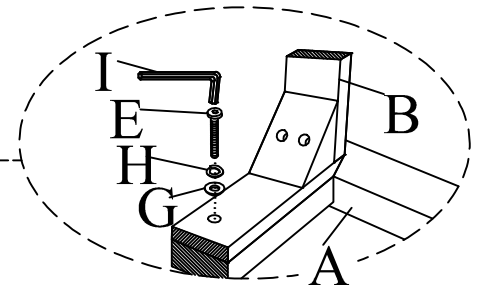
2

Attach Wooden Seat (B) to Chair Back (A) assembly by securing the Flat Washer (G), Lock Washer (H) and Bolt (D) on corner. Flat Washer (G), Lock Washer (H) and Bolt (E) onto back rail by using Allen Key (I). Hand tighten only at this moment by using Allen Key (I).

Stand chair up on an even surface and check that it is balanced. If there is a slight wobble, apply downward pressure in the corner where a leg is uneven. Keeping pressure in that corner, tighten all bolts. If balanced, apply downward pressure evenly in the center and tighten all bolts. Do not over-tighten beyond hole depth.



Helpful Tip:
-Instead of applying downward pressure while reaching under to tighten bolts, have someone sit in the chair while you tighten the bolts.



Cleaning & Care :

Treat surface with care. Surface is resistant to scratches but is not scratch resistant. Clean surface with a dry or damp soft cloth. Do not use abrasive cleaners. Hardware may loosen over time. Periodically check that all connections are tight.