

## Wellworth® | K-3948

Two-piece elongated toilet, 1.28 gpf

### Features

- Two-piece design
- Elongated bowl offers added room and comfort
- Left-hand Polished Chrome trip lever
- Combination consists of toilet bowl and tank
- Coordinates with other products in the Wellworth collection
- KOHLER's canister flush valve harnesses the natural force of gravity and optimizes flushing performance
- Eligible for consumer rebates in some municipalities
- 1.28 gpf (4.8 lpf)
- 2-1/8" (54 mm) fully glazed trapway
- Class Five® canister optimizes the flow out of the tank, harnessing gravity and the natural, powerful reducing cascade of water to increase the power and effectiveness of the flush



### Sustainability



### Available Colors/Finishes

*Color tiles intended for reference only.*

- 0 White
- 96 Biscuit
- 7 Black Black



## Codes/Standards

*Accessibility standards may require controls to be located on the open side of the toilet.*

*Plumbing codes may require elongated toilets and elongated, open-front seats in public bathrooms.*



ASME A112.19.2/CSA B45.1  
DOE - Energy Policy Act 1992  
EPA WaterSense®  
California Energy Commission (CEC)

## Warranty

See website for detailed warranty information.

KOHLER® Toilets and Seats Limited Warranty

## Technical Information

Rough-in:	14"
Flush Type:	Class Five
Flush Rate:	1.28 gpf (4.8 lpf)
Bowl Shape:	Elongated
Seat-Mounting Holes:	5-1/2" (140 mm)
Waste Outlet:	Floor
Trapway Size:	2-1/8" (54 mm)
Trapway Type:	Exposed
Water Surface Size:	11-1/4" x 8-1/4" (286 mm x 210 mm)
Rim to Water Surface:	5-1/4" (133 mm)

## Included Combo Skus

- K-4198 Elongated toilet bowl
- K-4841 Toilet tank, 1.28 gpf

## Recommended Products/Accessories

1023457 Toilet Wax Ring And Hardware Kit

1265114 12" Toilet Supply Line

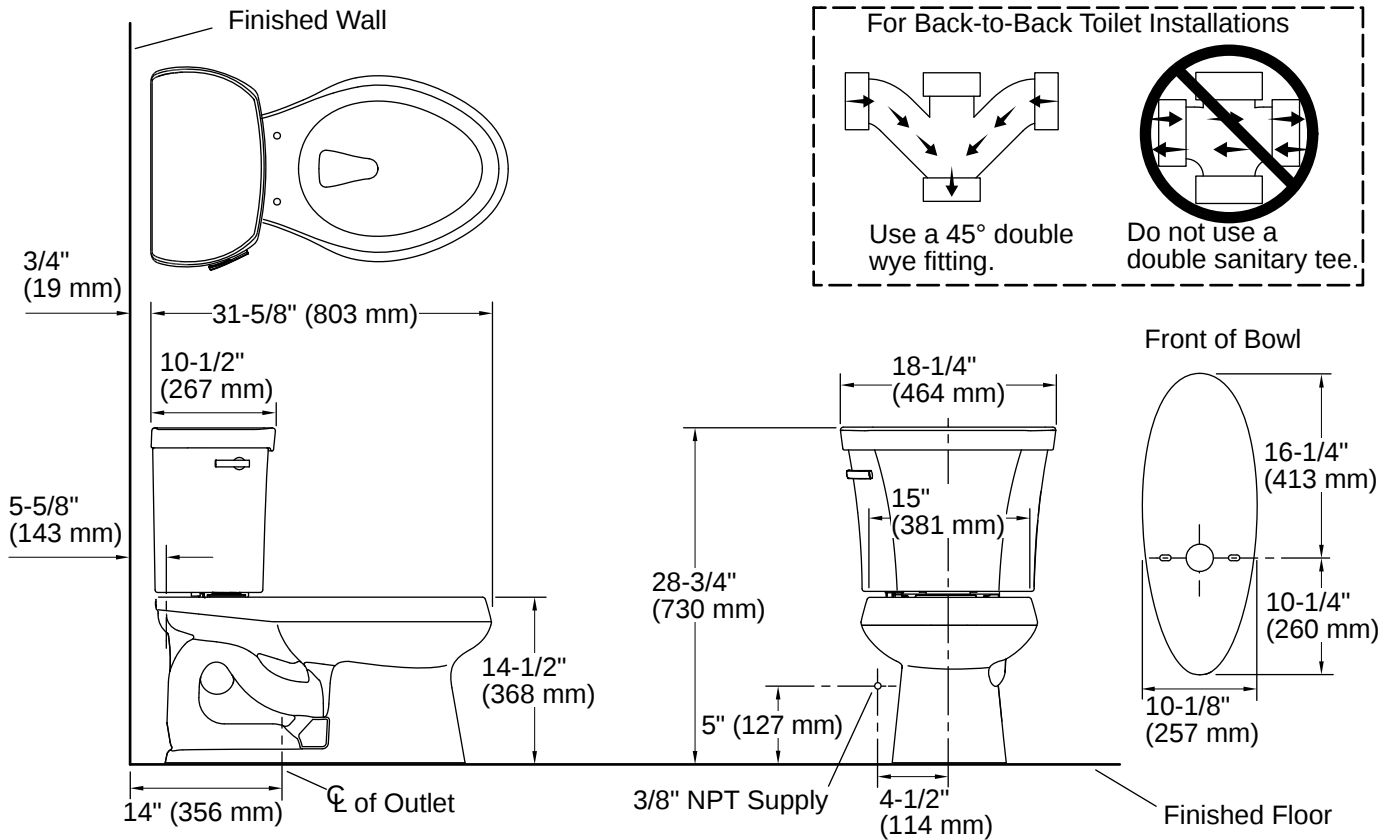
K-23726 Drain treatment

K-9379 Trip lever

K-5420 Low-profile toilet bolt caps

K-4636-RL ReadyLatch® Quiet-Close™ elongated toilet seat





**Installation**

- Three-bolt quick-connect installation
- Seat and supply line sold separately

**Installation Notes**

*Install this product according to the installation instructions.*

For back-to-back toilet installations: Use only a 45° double wye fitting.

Product dimensions are nominal and may vary per ASME A112.19.2 tolerances.

