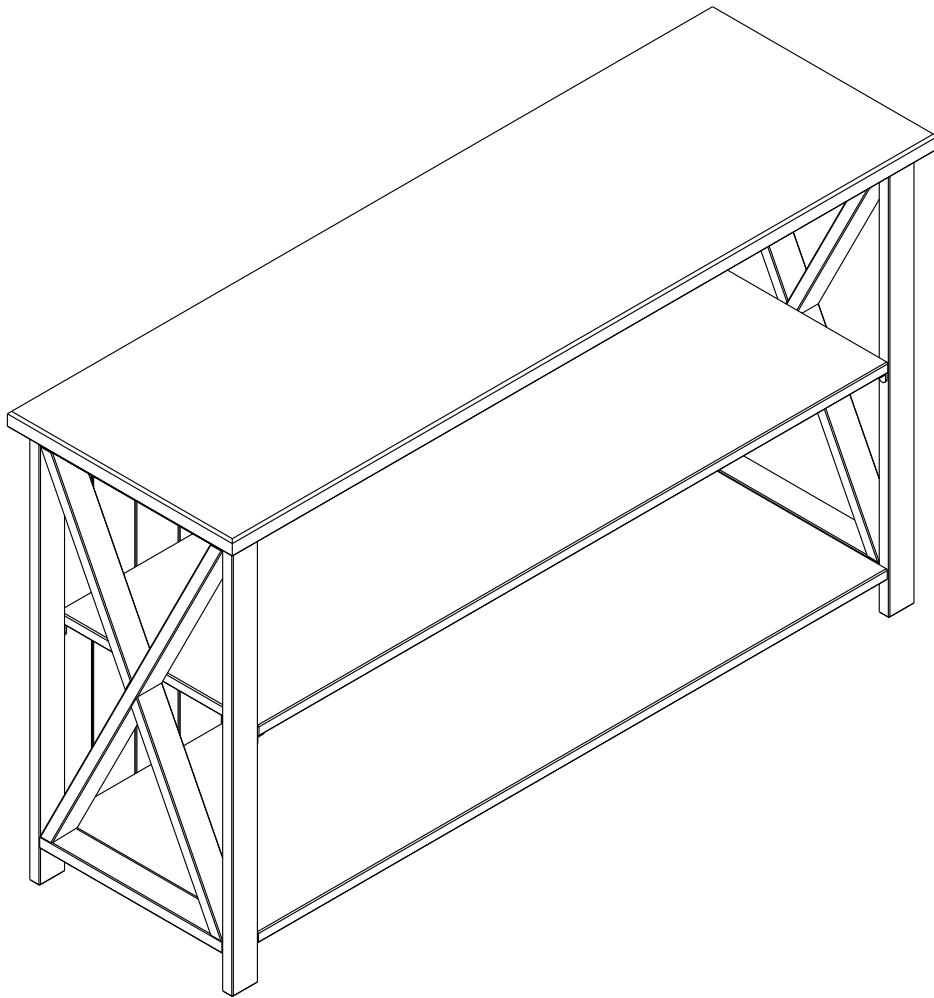


# Item #: BS52LCS

## Assembly Instructions



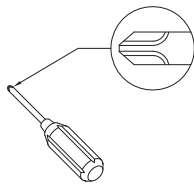
Walker  
Edison®

Please visit our website for the most current instructions, assembly tips report damage, or request parts. [www.walkerediton.com](http://www.walkerediton.com)

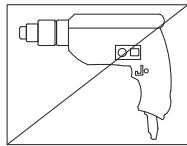
Revised 07/2019

# General Assembly Guidelines

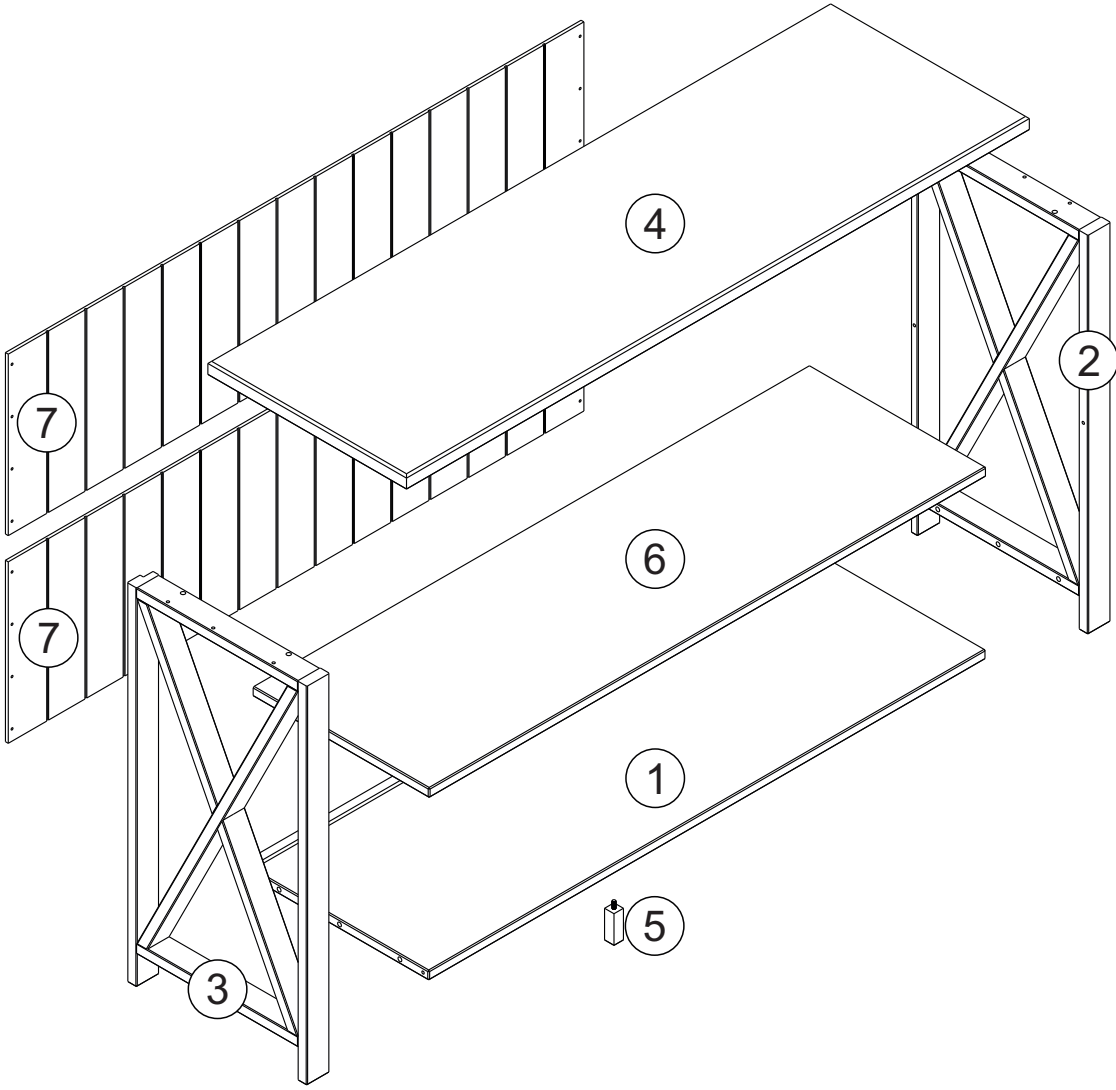
- I. Ensure that all parts and hardware are available before beginning assembly.
- II. Follow each step carefully to ensure the proper assembly of this product.
- III. Two people are recommended for ease in the assembly of this product.
- IV. The three main types of hardware used to assemble this product are : wood dowels , screws and bolts.
- V. A Phillips head screwdriver is required for the assembly of this product .



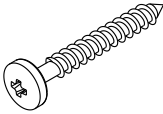
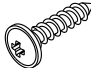
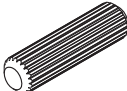
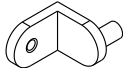

- VI. Power tools should not be used to assemble this product .

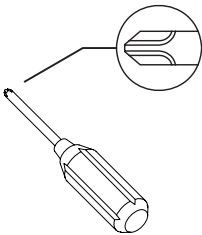


# Parts List



# Hardware List

A		Ø 4,5 x 35 mm	Screw	10 pcs
B		Ø 3,5 x 16 mm	Screw	29 pcs
C		Ø 8 x 30 mm	Wood dowel	10 pcs
D			Metal Bracket	04 pcs
E			Wall Anchor	01 pc

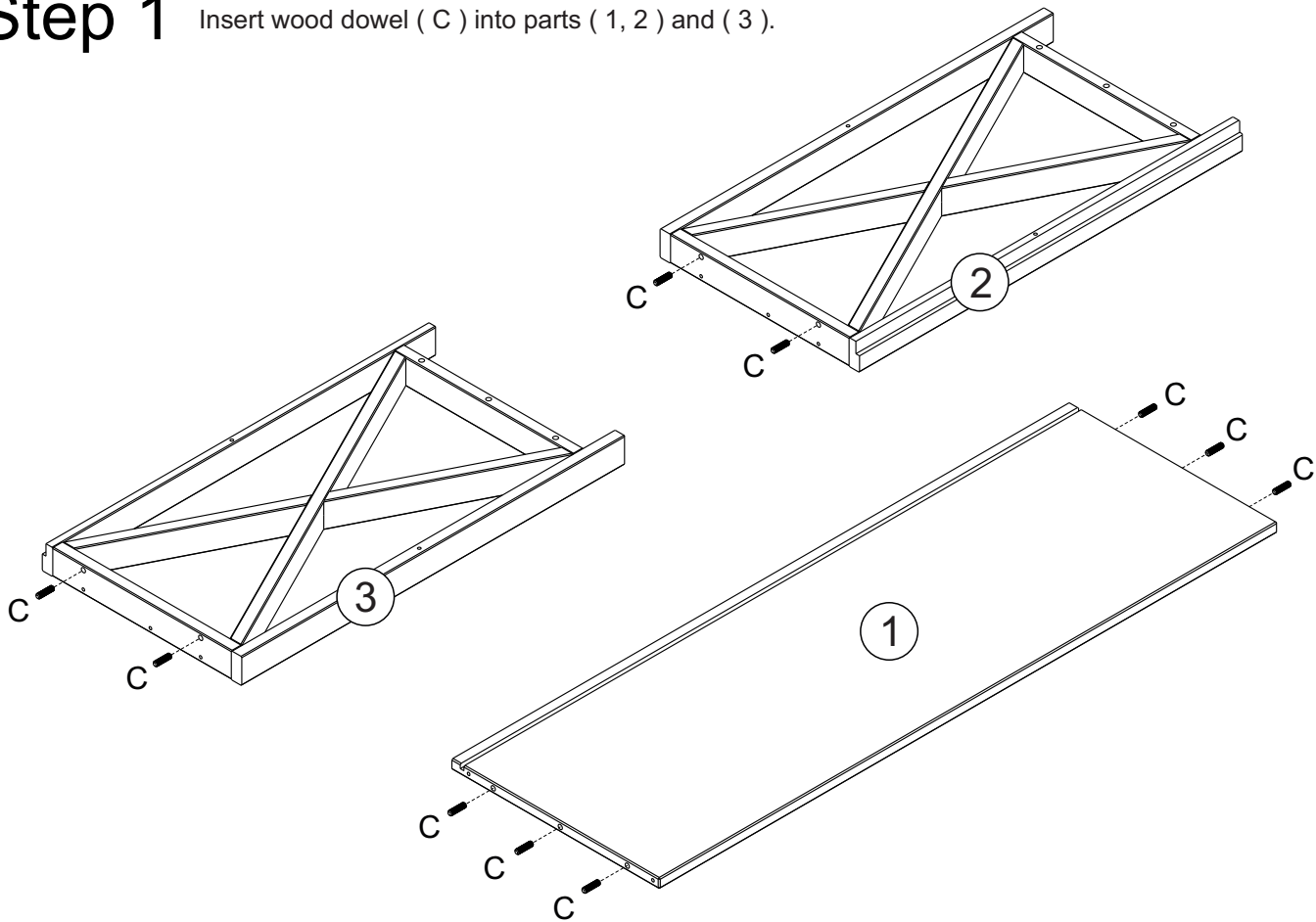


Philips head screwdriver required for assembly  
(not included)

*The hardware quantities listed above are required for proper assembly.  
Some extra hardware may also have been included.*

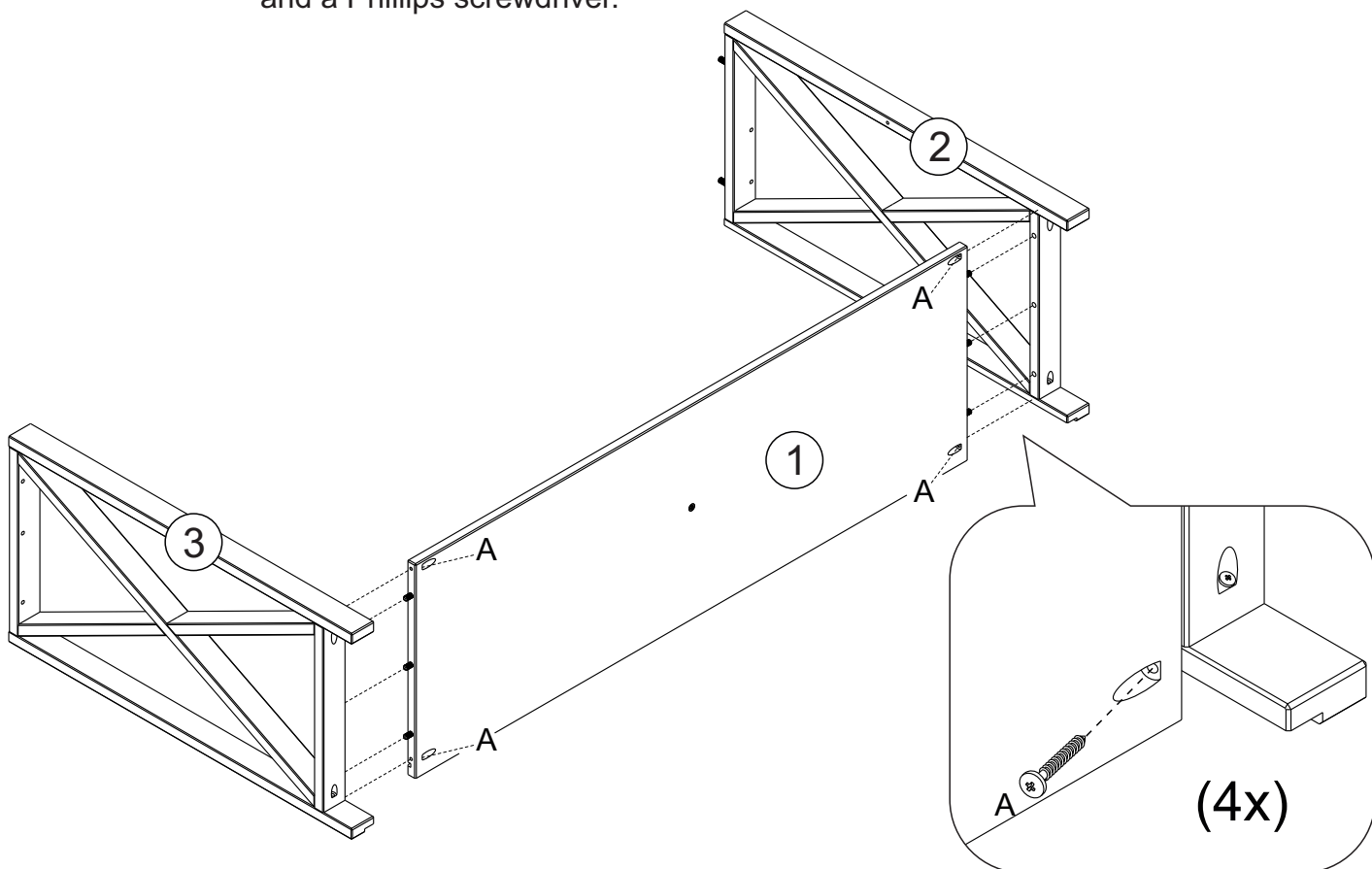
# Step 1

Insert wood dowel ( C ) into parts ( 1, 2 ) and ( 3 ).



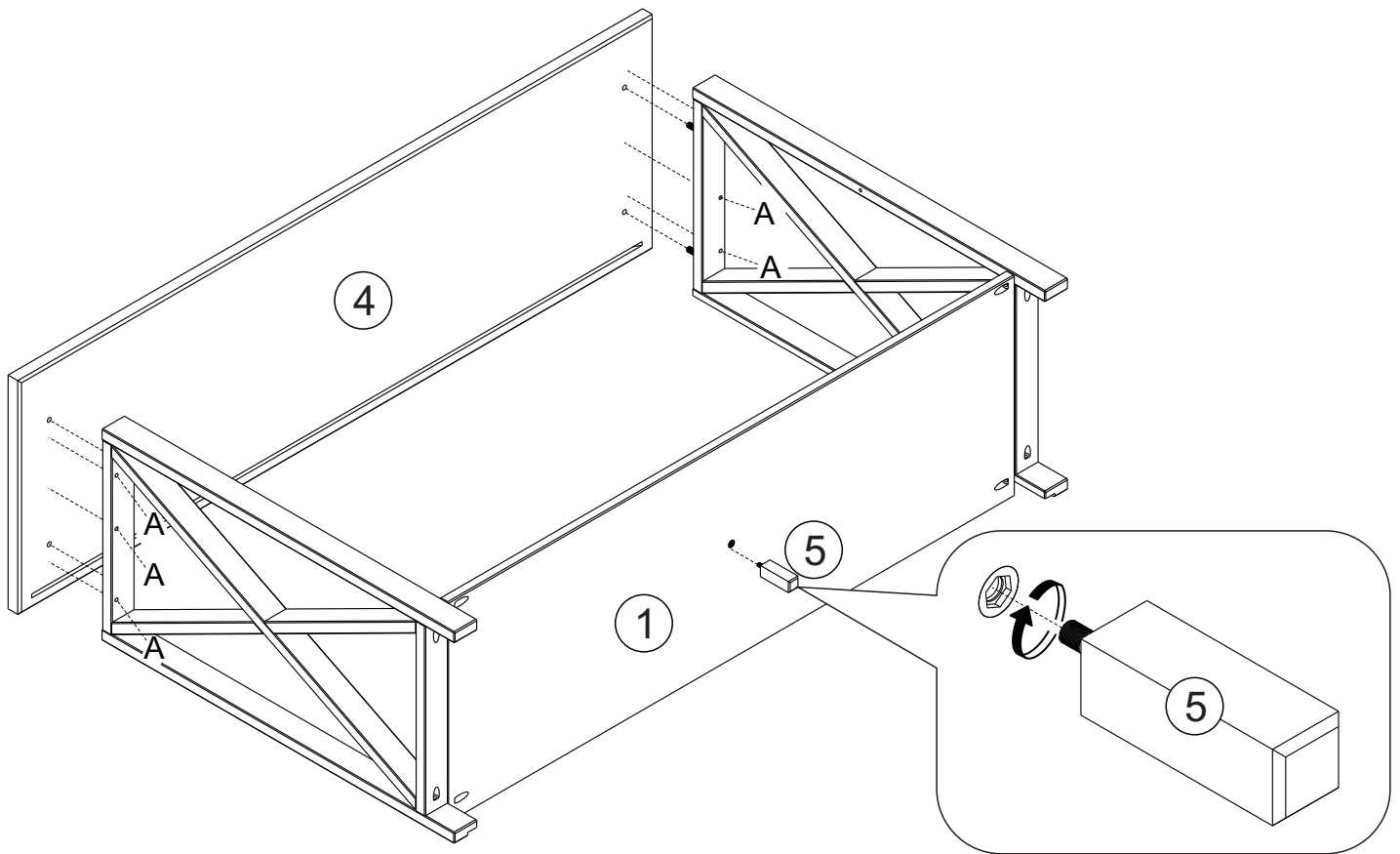
# Step 2

Attach wood dowels on the holes in the part ( 2 ) and ( 3 ).  
Attach the part ( 1 ) to part ( 2 ) and ( 3 ) using screw ( A ) and a Phillips screwdriver.



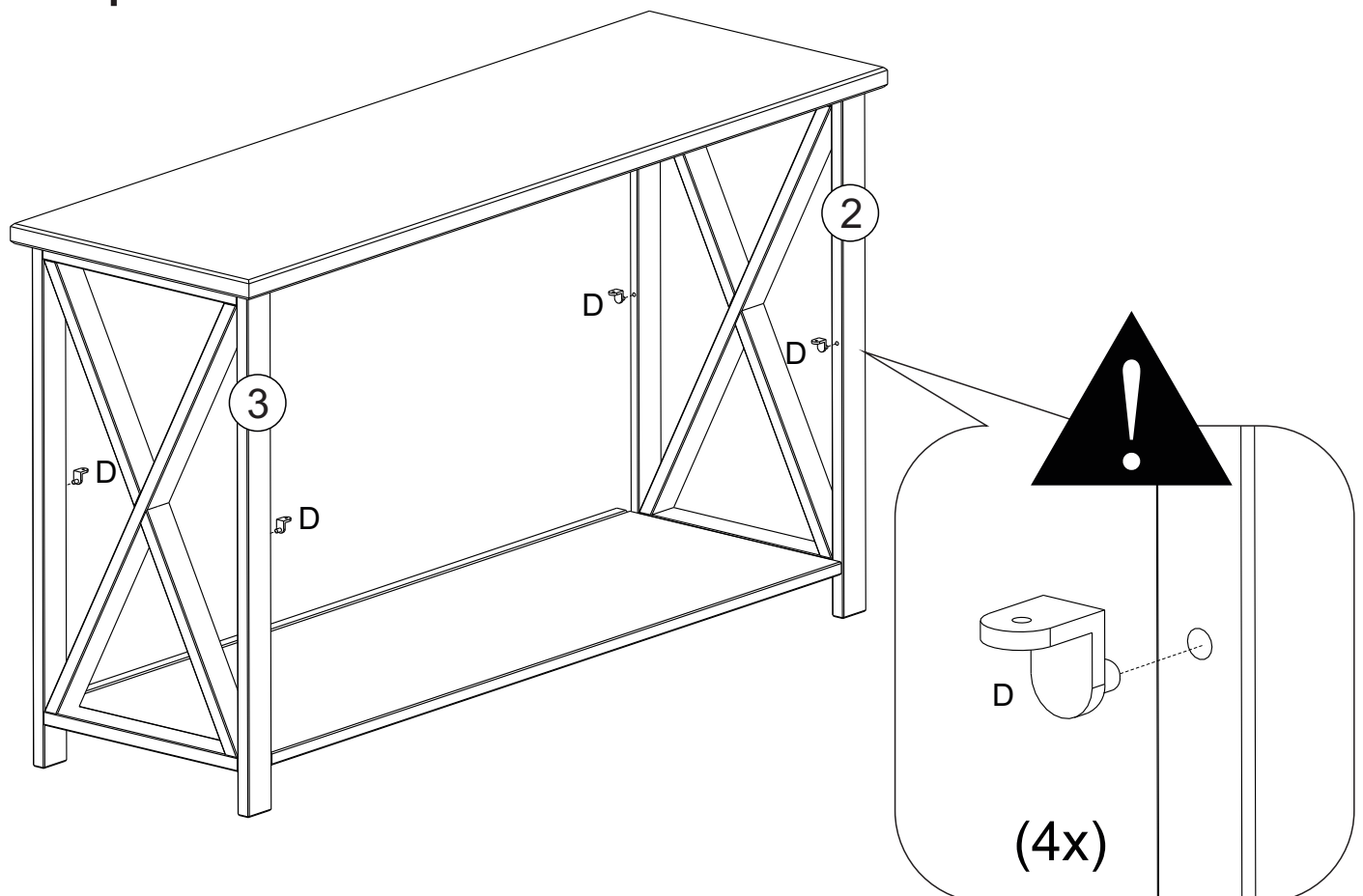
### Step 3

Attach wood dowels on the holes in the part ( 4 ).  
Attach the part ( 4 ) using screw ( A ) and a Phillips head screwdriver.  
Attach the part ( 5 ) to part ( 1 ).



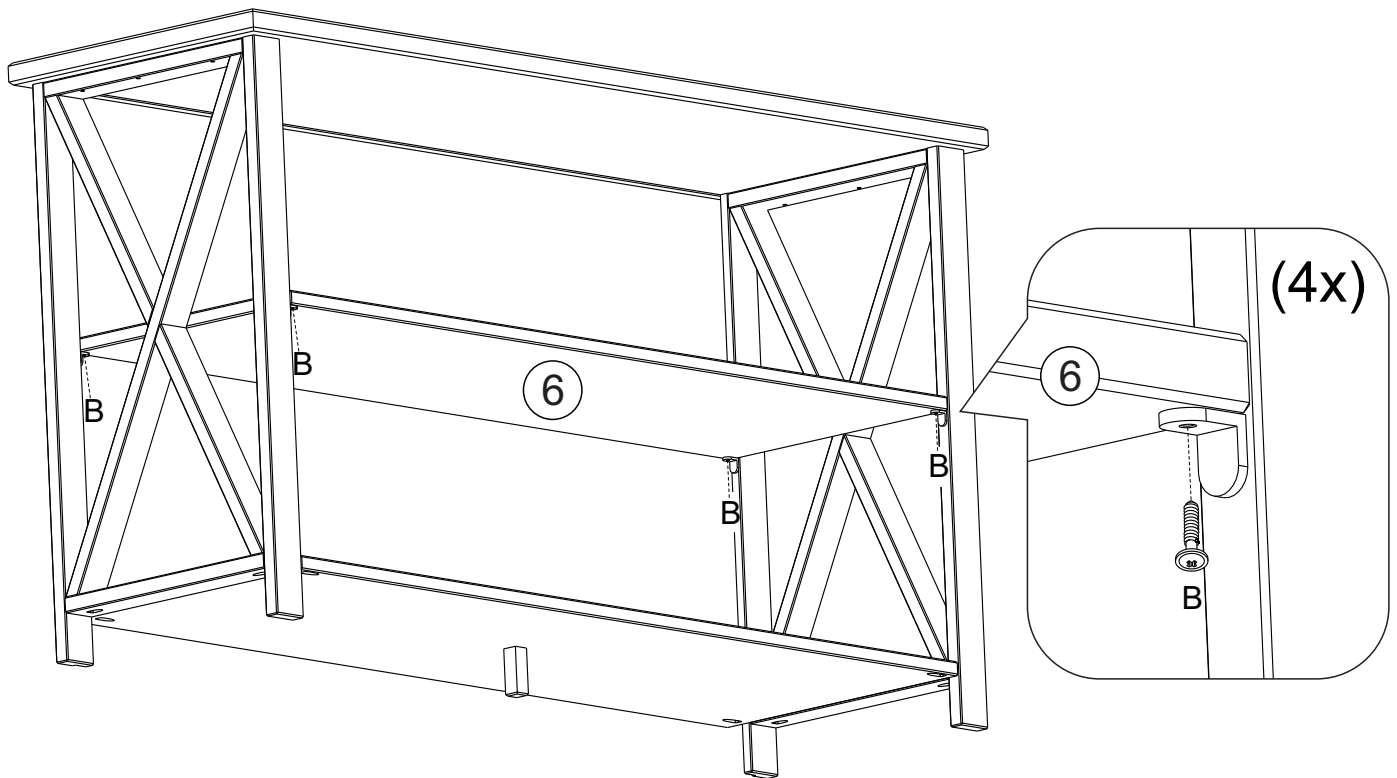
### Step 4

Attach metal bracket on the holes in the part ( 2 ) and ( 3 ).



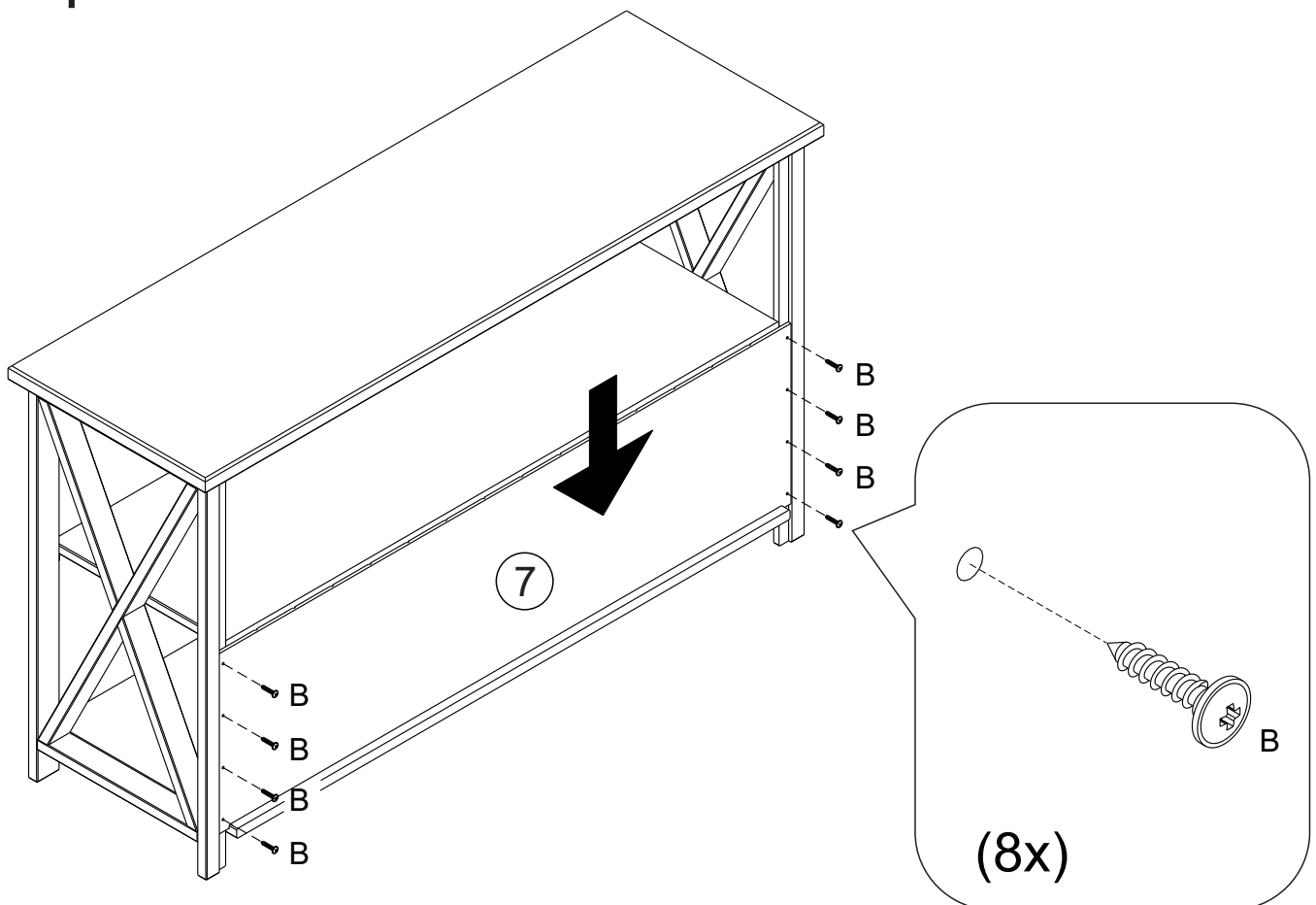
## Step 5

Attach part ( 6 ) using screw ( B ) and Phillips head screwdriver.



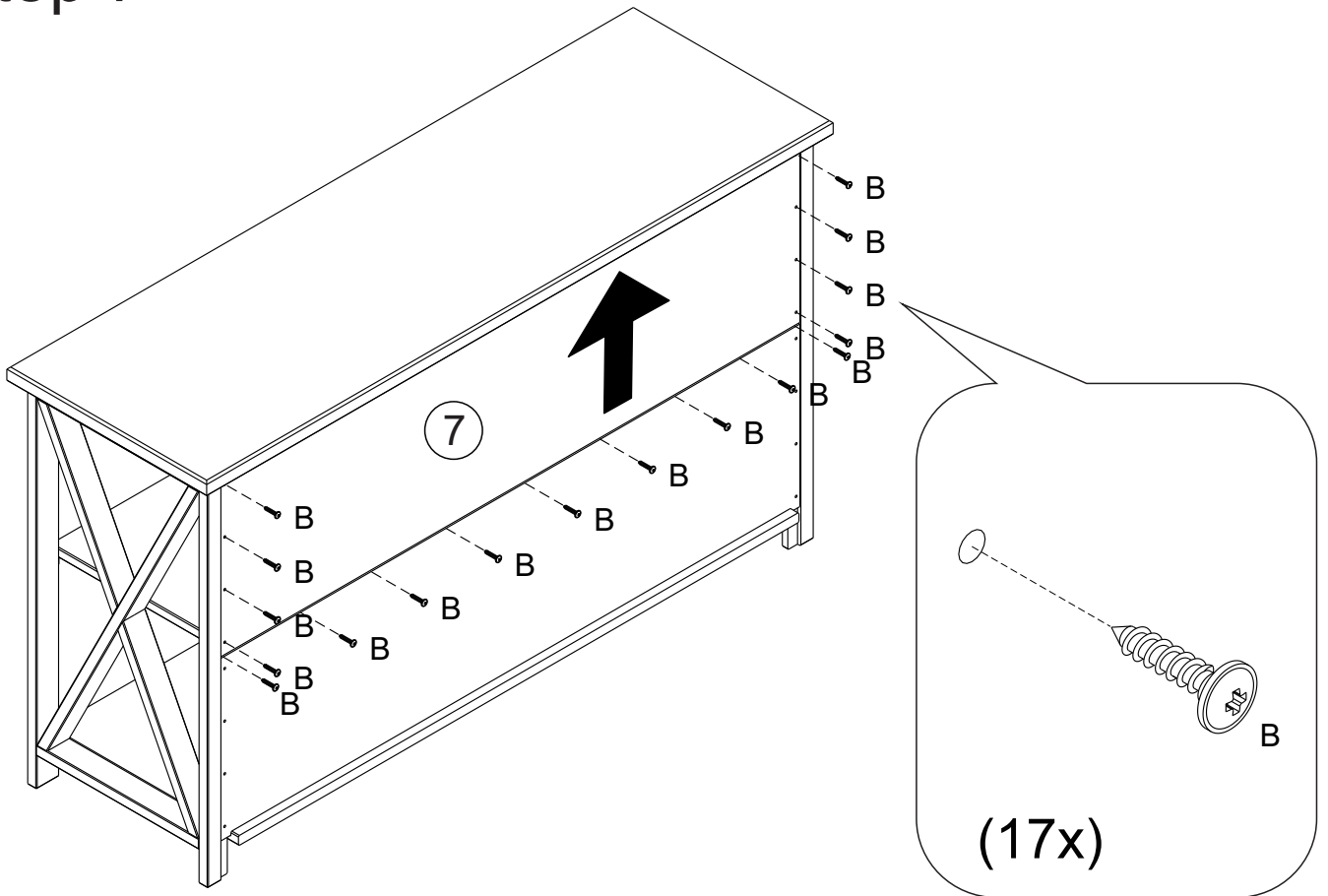
## Step 6

Attach part ( 7 ) using screw ( B ) and Phillips head screwdriver.

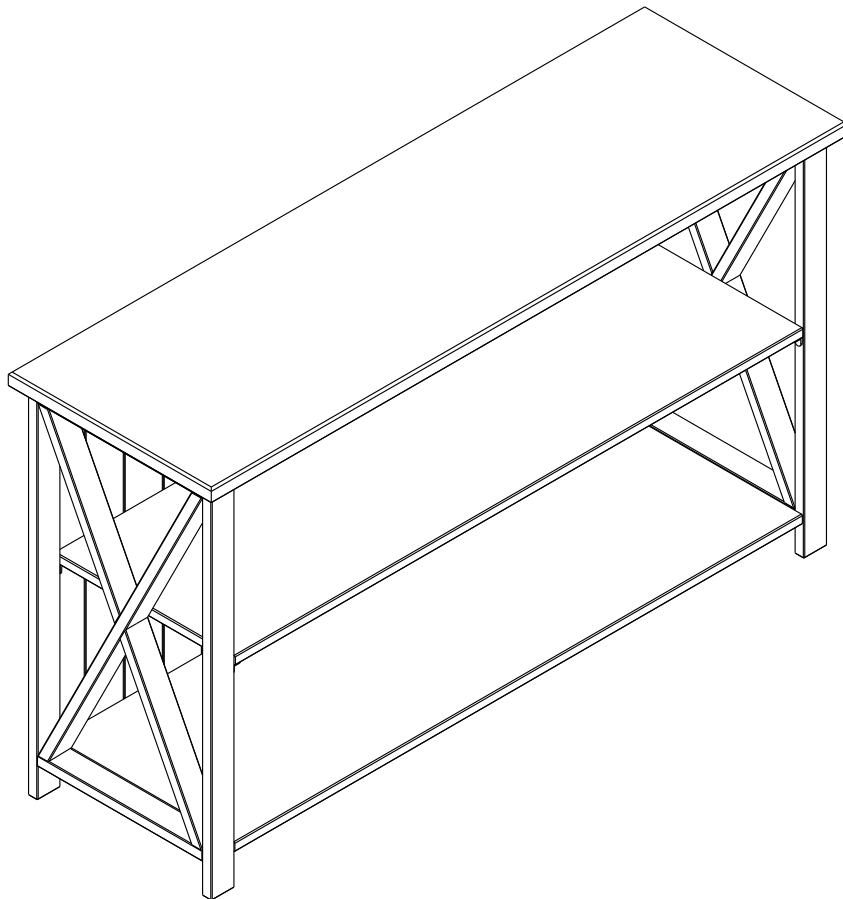


# Step 7

Attach part ( 7 ) using screw ( B ) and Phillips head screwdriver.



# Step 8

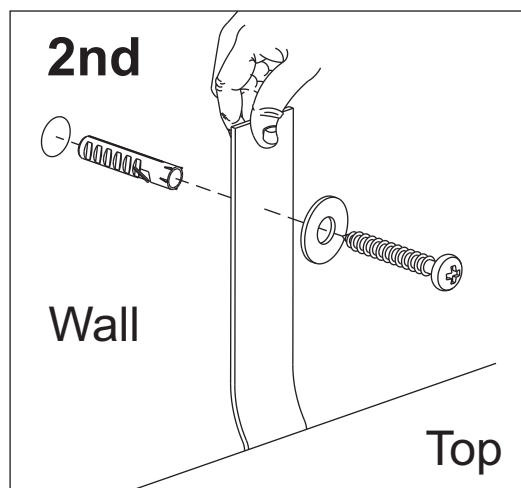
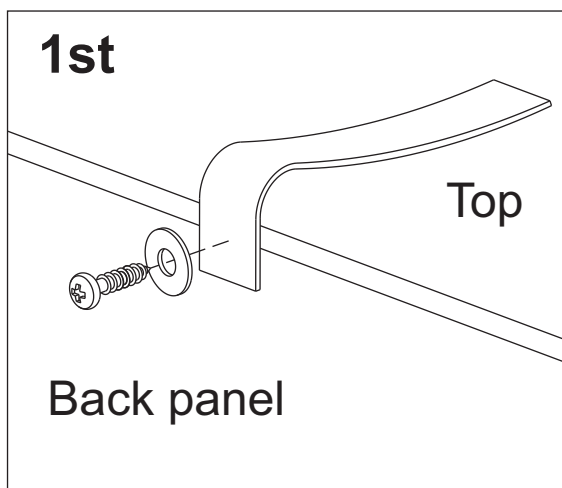




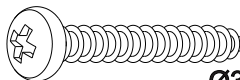
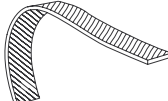
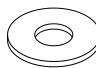


# WARNING

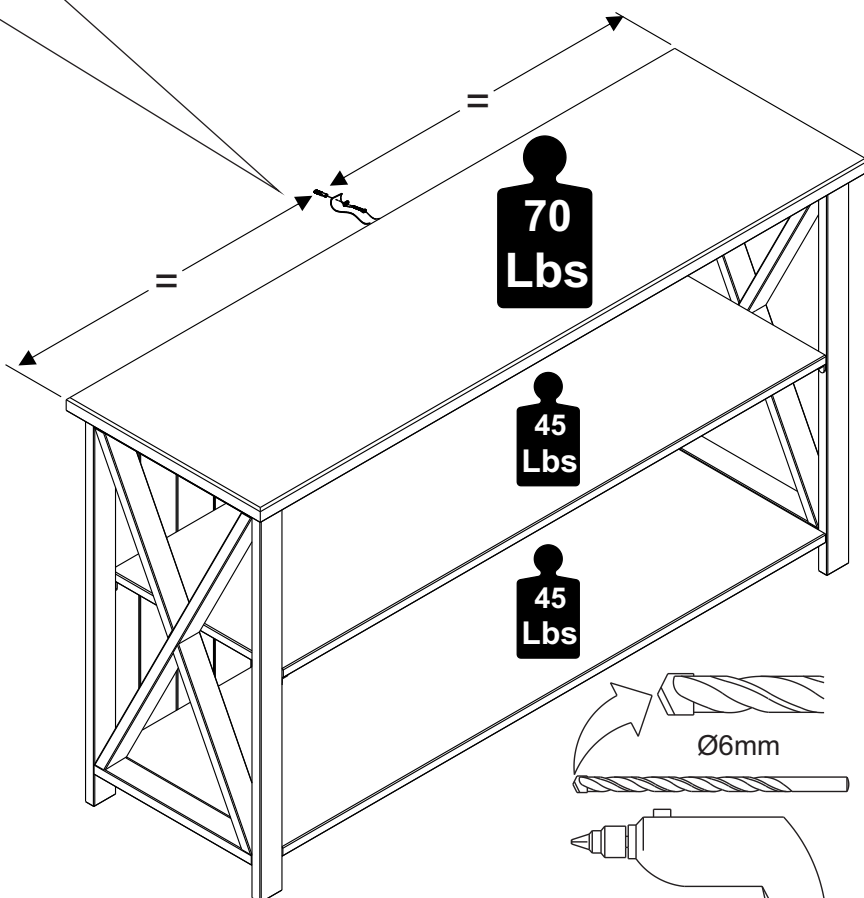
**Serious or fatal injuries can occur from furniture tipping over. To prevent the furniture from tipping over we recommend that it is permanently fixed to the wall.**

**Wall anchor and hardware are included with this product. Please make sure hardware is suitable for your walls before installing, as different wall materials may require different types of anchors.**



## Hardware of Wall Anchor E

 Ø3,5x30mm	01
	01
	02
 Ø6mm	01
 Ø3,5x16mm	01



**WARNING: CHECK FOR HIDDEN PIPES AND CABLES BEFORE DRILLING.**

## Final Assembly