

Removable Hard Disk Drawer

SCSI U3W 160 MBps Aluminum
Drive Drawer



Installation Manual

SCSIU3WDRWR

General Description

The StarTech.com U3W 160Mbps SCSI drive drawer is an aluminum drive caddy and receiving bay for internally mounting 3.5" 68 pin SCSI drives into half-height, 5.25" peripheral bays. This allows SCSI hard drives to be quickly added or removed from any PC with an available 5.25 inch drive bay without opening the computer. The 2-piece unit consists of a bay that mounts into the PC, and a removable drawer or caddy that encases the hard disk. A locking mechanism controls power to the drive to prevent it from being removed while operating. A handle activated drawer release mechanism allows the drive to be inserted or removed with minimal force. Dual front mounted ball-bearing cooling fans provide fresh cool air-flow over the hard drive, preventing overheating and data loss. The Removable Hard Disk Drawer is perfect for educational use, where the same PC needs to run several different operating systems, high speed, high capacity backups, hot-swap server drives, or any mission critical PC where downtime must be minimized.

Getting Started

This section is designed to help you prepare the removable hard disk drawer for installation. Please read through this section carefully before attempting to install the Removable Hard Disk Drawer.

Contents

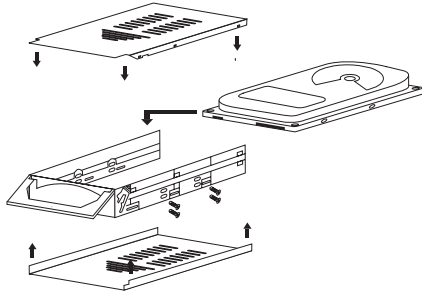
- 1 x drive bay to mount in the computer and hold the drawer
- 1 x drive drawer to mount the drive
- 2 x keys to lock / unlock the drive
- 4 x M3 x 1/4" long (fine thread) screws to mount the bay in the 5.25" bay of the computer
- 6 x 6-32 x 1/4" long (coarse thread) screws to mount the drive in the drawer

Installation

SCSI drives, like all computer equipment, are subject to static electricity. Be sure that you are properly grounded. StarTech recommends that you wear an anti-static strap and that your system is unplugged before doing any work on a computer.

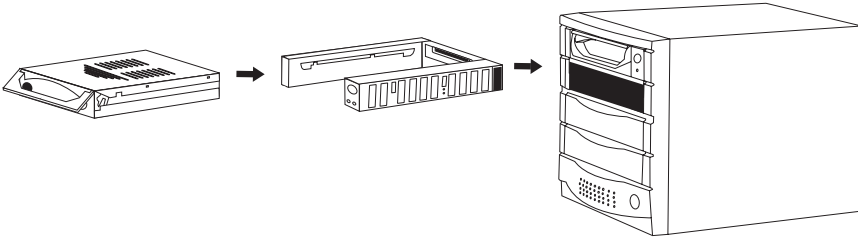
Installing the Drive Bay

1. Make sure your system is unplugged and you are grounded.
2. Remove the cover of your system.
3. Remove the front cover from a free 5 1/4" drive bay.
4. Insert the drive bay and drawer.
5. Connect the 68 pin cable from the PC to the frame.
6. Connect the power connector to the drive bay.
7. Using the M3 x 1/4" long screws (fine thread), mount the drive bay and drawer in the computer.



Installing the Drive in the Drawer

1. Insure the drive drawer is not locked. To unlock it, gently turn the key clockwise.
2. Remove the drive drawer from the drive bay.
3. Remove the metal panels on the top and bottom of the drive drawer. Use a flat screwdriver on the four indentations on each side to remove the panel.
4. Place the HDD into the drive case.
5. Use the enclosed 6-32 x 1/4" long (course thread) mount the HDD into place.
6. Replace the metal panels.
7. Slide the case into the frame, the turn the key counter clockwise to the "on" posotion.
8. Turn your system on. If the LED indicators light up, you can then use the HDD.



Inserting the drive for use

1. Insert the drive drawer and gently push into the bay until it clicks into place.
2. Insert the key and turn clockwise to lock the drive in place. **Please note that if you do not lock the drive, it will not work.**

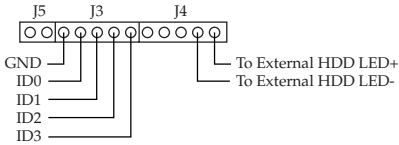
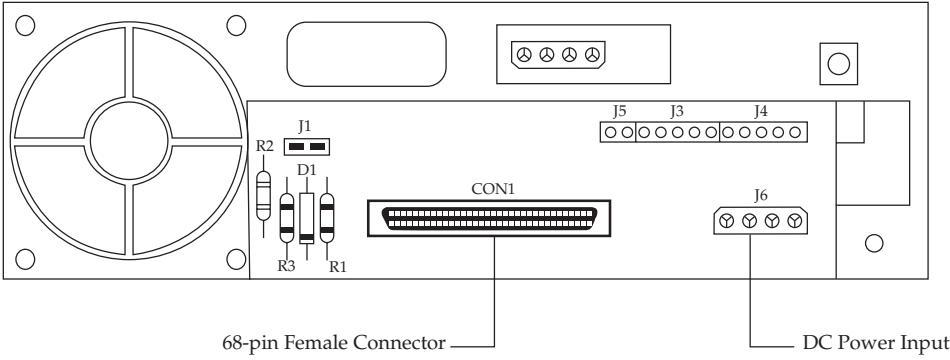
Removing the drive

1. Insert the key and turn it counterclockwise to unlock the drive drawer.
2. Lift the handle and gently remove the drive. **Please note that if you remove your boot drive while the system is operating, you may damage the file system.**

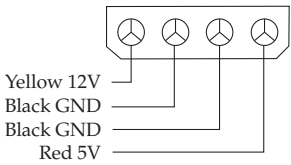
LED Indicators

1. Power LED: When the device has power the LED will be lit red.
2. Left Fan LED
 - a) Left fan working: LED is lit green.
 - b) Malfunction on left fan: LED is off.
3. Right Fan LED
 - a) Right fan working: LED is lit green.
 - b) Malfunction on right fan: LED is off.
4. Hard Drive activity LED: When active LED is lit green.

Jumper Settings



HDD Power Connector



HDD Power Connector

