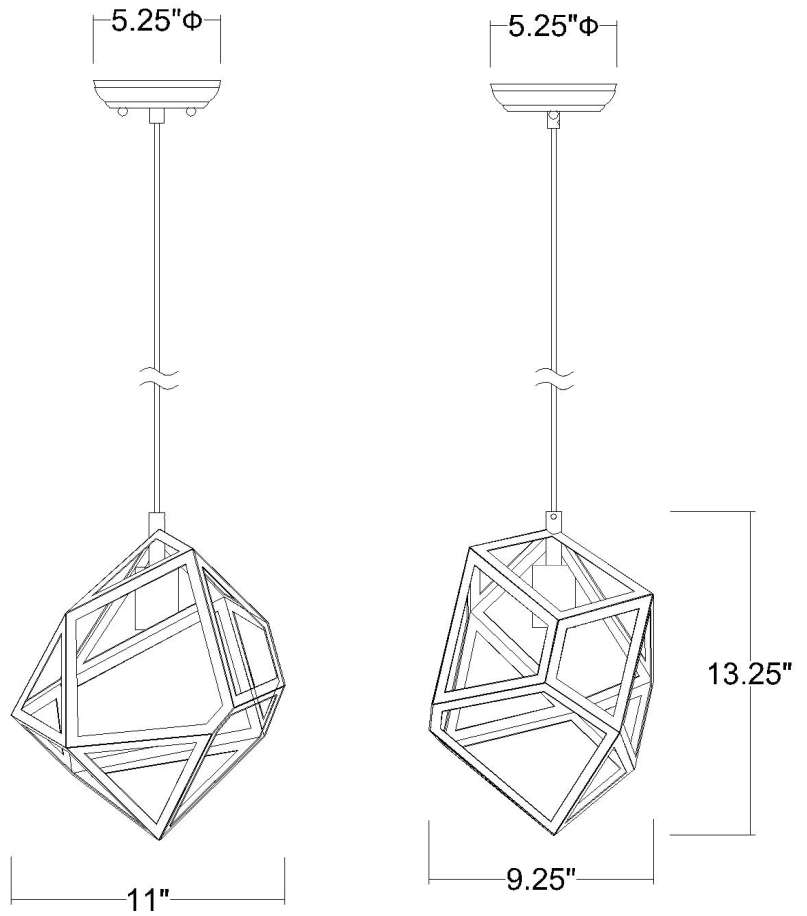


TP30080BK HEDRON 1-LIGHT PENDANT



Description:	Hedron 1-Light Pendant
Finish:	Matte Black
Dimensions:	11" W x 9-1/4" D x 13-1/4" H
Bulbs:	1-100W Med.
Installed Weight:	7 lbs.
Certification:	ETL / dry location

Material:	Steel
Shades:	Steel
Glass:	NA
Canopy Dimensions:	5-1/4" Dia.
Chain/Wire:	12' Wire
Additional Finishes:	White