

# F29720

# ADVENTURE BEND SWING SET

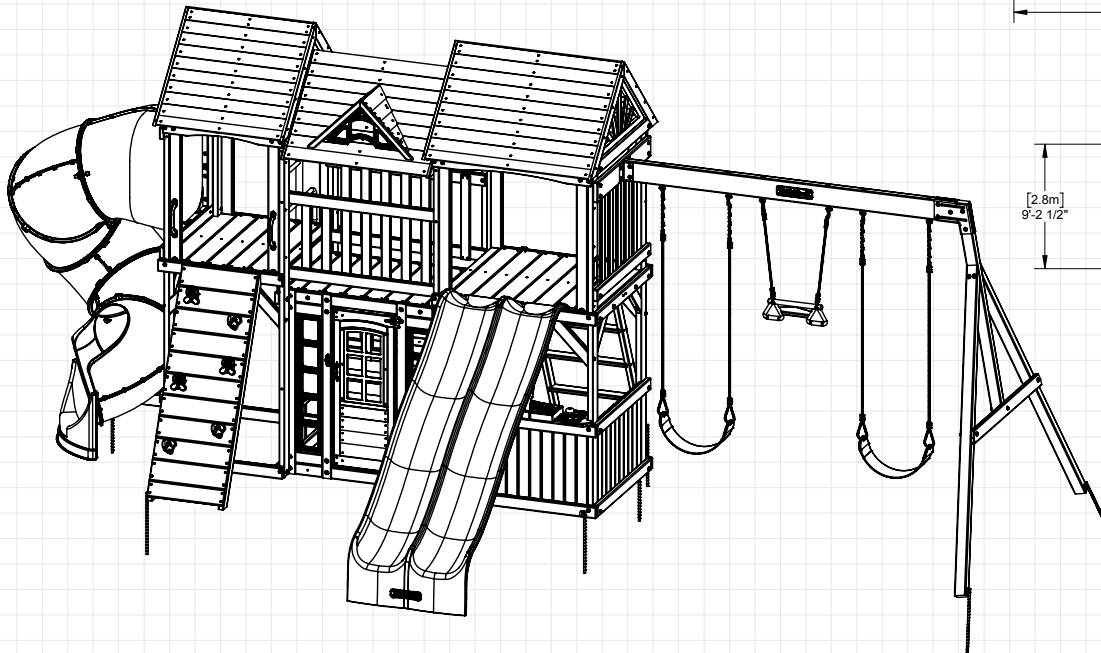
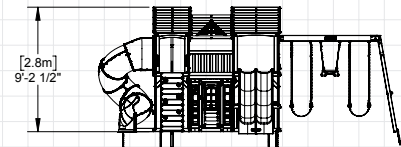
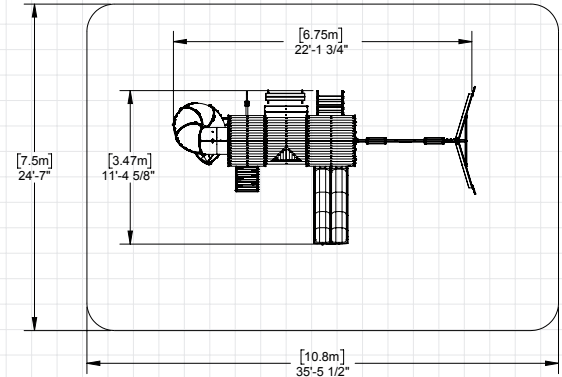


**OBSTACLE FREE SAFETY ZONE** - 35'-5 1/2" L x 24'-7" D x 16'-9" H (10.8 x 7.5 x 4.9 m) area requires Protective Surfacing. See page 4.

**MAXIMUM VERTICAL FALL HEIGHT** - 6' 6-3/4" (2 m).

**CAPACITY** - 10 Users Maximum, Ages 3 - 10; Weight Limit 110 lbs. (50 kg) per child.

**RESIDENTIAL HOME USE ONLY.** Not intended for public areas such as multi-unit residences, schools, churches, nurseries, day cares or parks.



## INSTALLATION AND OPERATING INSTRUCTIONS

### FOR 24/7 ONLINE PARTS REPLACEMENT

[parts.kidkraft.com](http://parts.kidkraft.com)

KidKraft, Inc.  
4630 Olin Road  
Dallas, Texas 75244  
USA

[customerservice@kidkraft.com](mailto:customerservice@kidkraft.com)

1.800.933.0771  
972.385.0100

[parts.kidkraft.eu](http://parts.kidkraft.eu)

KidKraft Netherlands BV  
Olympisch Stadion 8  
1076 DE Amsterdam  
The Netherlands

[europcustomerservice@kidkraft.com](mailto:europcustomerservice@kidkraft.com)

+31 20 305 8620  
M-F from 09:00 to 17:30 (GMT+1)

9409720

Rev 04/24/2023



### ⚠️ WARNING

To reduce the risk of serious injury or death, please read and follow these instructions. Keep and refer to instructions as needed and pass along to any future owners of this item.

## **Congratulations on purchasing a KidKraft product!**

**Our items are made of high-quality,  
durable Cunninghamia Lanceolata wood  
from the cypress family.**

**Lumber from these trees are known for  
their light weight and excellent strength.  
The porosity of this wood allows the  
moisture to absorb and evaporate in the  
fibers, resisting rot and bugs.**

**Engineered for great play, our products  
also go through extensive testing for safety.**

**Plus, our team has developed a series of  
proprietary methods for a simpler, more  
organized assembly. Less build time and  
more play time is our motto!**

**However, during assembly if you have any  
questions or concerns, please reach out.  
Our Customer Service can help with missing  
parts, instructions or maintenance.**





## Warnings and Safe Play Instructions



**CONTINUOUS ADULT SUPERVISION REQUIRED.** Most serious injuries and deaths on playground equipment have occurred while children were unsupervised! Our products are designed to meet mandatory and voluntary safety standards. Complying with all warnings and recommendations in these instructions will reduce the risk of serious or fatal injury to children using this play system. Go over the warnings and safe play instructions regularly with your children and make certain that they understand and follow them. Remember on-site adult supervision is required for children of all ages.



### WARNING

#### SERIOUS HEAD INJURY HAZARD

Installation over concrete, asphalt, dirt, grass, carpet and other hard surface creates a risk of serious injury or death from falls to the ground. Install and maintain shock absorbing material under and around play-set as recommended on page 4 of these instructions.

#### COLLISION HAZARD

Place play-set on level ground at least 2m from any obstruction such as a garage or house, fences, poles, trees, sidewalks, walls, landscape timbers, rocks, pavement, planters, garden borders, overhanging branches, laundry lines, and electrical wires. (See OBSTACLE FREE SAFETY ZONE on cover)

#### CHOKING HAZARD/SHARP EDGES & POINTS

Adult assembly required. This product contains small parts and parts with sharp edges and points. Keep parts away from children until fully assembled.

#### WARNING LABEL

Owners shall be responsible for maintaining the legibility of the warning labels.

#### STRANGULATION HAZARD

- NEVER allow children to play with ropes, clotheslines, pet leashes, cables, chains or cord-like items when using this play-set or to attach these items to play-set.
- NEVER allow children to wear loose fitting clothing, ponchos, hoods, scarves, capes, necklaces, items with draw-strings, cords or ties when using this play-set.
- NEVER allow children to wear bike or sport helmets when using this play-set.

Failure to prohibit these items, even helmets with chin straps, increases the risk of serious injury and death to children from entanglement and strangulation.

#### TIP OVER HAZARD

Choose a level location for the equipment. This can reduce the likelihood of the play set tipping over and loose-fill surfacing materials washing away during heavy rains.

DO NOT allow children to play on the play-set until the assembly is complete and the unit is properly anchored.

Never add extra length to chain or rope. The chains or ropes provided are the maximum length designed for the swinging element(s).



### WARNING – Safe Play Instructions

- ✓ Observe capacity limitations of your play-set. See front cover.
- ✓ Dress children with well fitting and full foot enclosing footwear.
- ✓ Teach children to sit with their full weight in the center of the swing seat to prevent erratic swing motion or falling off.
- ✓ Check for splintered, broken or cracked wood; missing, loose, or sharp edged hardware. Replace, tighten and or sand smooth as required prior to playing.
- ✓ Verify that suspended climbing ropes, rope ladders, chain or cable are secured at both ends and cannot be looped back on itself as to create an entanglement hazard.
- ✓ On sunny and or hot days, check the slide and other plastic rides to assure that they are not very hot as to cause burns. Cool hot slide and rides with water and wipe dry prior to using.
- ✓ Orientate slide such that it gets the least amount of exposure to the sun.
- ✗ Do not allow children to wear open toe or heel footwear like sandals, flip-flops or clogs.
- ✗ Do not allow children to walk, in front, between, behind or close to moving rides.
- ✗ Do not let children twist swing chains or ropes or loop them over the top support bar. This may reduce the strength of the chain or rope and cause premature failure.
- ✗ Do not let children get off rides while they are in motion.
- ✗ Do not permit climbing on equipment when it is wet.
- ✗ Do not permit rough play or use of equipment in a manner for which it was not intended. Standing on or jumping from the roof, elevated platforms, swings, climbers, ladders or slide can be dangerous.
- ✗ Do not allow children to swing empty rides or seats.
- ✗ Do not allow children to go down slide head first or run up slide.



# ⚠️ Protective Surfacing - Reducing Risk of Serious Head Injury From Falls

One of the most important things you can do to reduce the likelihood of serious head injuries is to install shock-absorbing protective surfacing under and around your play equipment. The protective surfacing should be applied to a depth that is suitable for the equipment height in accordance with ASTM F1292. There are different types of surfacing to choose from; whichever product you select, follow these guidelines:

## Loose-Fill Materials

- Maintain a minimum depth of 9 inches (23 cm) of loose-fill materials such as wood mulch/chips, engineered wood fiber (EWF), or shredded/recycled rubber mulch for equipment up to 8 feet (2.45 m) high; and 9 inches (23 cm) of sand or pea gravel for equipment up to 5 feet (1.5 m) high. NOTE: An initial fill level of 12 inches (31 cm) will compress to about a 9-inch (23 cm) depth of surfacing over time. The surfacing will also compact, displace, and settle, and should be periodically raked and refilled to maintain at least a 9-inch (23 cm) depth.
- Use a minimum of 6 inches (16 cm) of protective surfacing for play equipment less than 4 feet (1.22 m) in height. If maintained properly, this should be adequate. (At depths less than 6 inches (16 cm), the protective material is too easily displaced or compacted.)

NOTE: Do not install home playground equipment over concrete, asphalt, or any other hard surface. A fall onto a hard surface can result in serious injury to the equipment user. Grass and dirt are not considered protective surfacing because wear and environmental factors can reduce their shock absorbing effectiveness. Carpeting and thin mats are not adequate protective surfacing. Ground level equipment -- such as a sandbox, activity wall, playhouse or other equipment that has no elevated play surface -- does not need any protective surfacing.

- Use containment, such as digging out around the perimeter and/or lining the perimeter with landscape edging. Don't forget to account for water drainage.
- Periodically rake, check and maintain the depth of the loose-fill surfacing material. Marking the correct depth on the play equipment support posts will help you to see when the material has settled and needs to be raked and or replenished. Be sure to rake and evenly redistribute the surfacing in heavily used areas.
- Do not install loose fill surfacing over hard surfaces such as concrete or asphalt.

## Poured-In-Place Surfaces or Pre-Manufactured Rubber Tiles

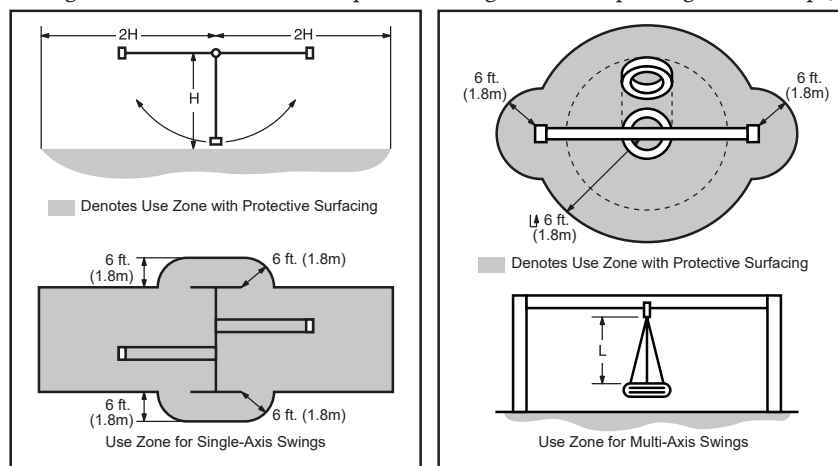
You may be interested in using surfacing other than loose-fill materials - like rubber tiles or poured-in-place surfaces.

- Installations of these surfaces generally require a professional and are not "do-it yourself" projects.
- Review surface specifications before purchasing this type of surfacing. Ask the installer/manufacturer for a report showing that the product has been tested to the following safety standard: ASTM F1292 *Standard Specification for Impact Attenuation of Surfacing Materials within the Use Zone of Playground Equipment*. This report should show the specific height for which the surface is intended to protect against serious head injury. This height should be equal to or greater than the fall height - vertical distance between a designated play surface (*elevated surface for standing, sitting, or climbing*) and the protective surfacing below - of your play equipment.
- Check the protective surfacing frequently for wear.

## Placement

Proper placement and maintenance of protective surfacing is essential. Refer to diagram on front cover. Be sure to;

- Extend surfacing at least 6 feet (1.8 m) from the equipment in all directions.
- For to-fro swings, extend protective surfacing in front of and behind the swing to a distance equal to twice the height of the top bar from which the swing is suspended.
- For tire swings, extend surfacing in a circle whose radius is equal to the height of the suspending chain or rope, plus 6 feet (1.8 m) in all directions.



From the CPSC Outdoor Home Playground Safety Handbook. At <http://www.playgroundregs.com/resources/CPSC%20324.pdf>

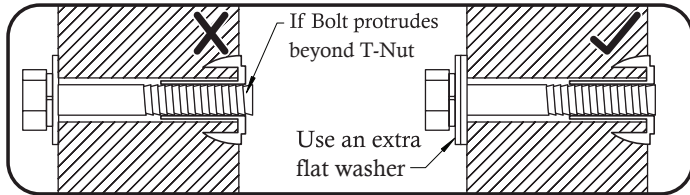
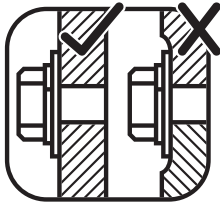
# Instructions for Proper Maintenance

Your KidKraft Play System is designed and constructed of quality materials with your child's safety in mind. As with all outdoor products used by children, it will weather and wear. To maximize the enjoyment, safety and life of your Play Set, it is important that you, the owner, properly maintain it.

## Check the following at the beginning of the play season:

### HARDWARE:

- ✓ Check metal parts for rust. If found, sand and repaint using a non-lead paint complying with 16 CFR 1303.
- ✓ Inspect and tighten all hardware. On wood assemblies **DO NOT OVER-TIGHTEN** as to cause crushing and splintering of wood.
- ✓ Check for sharp edges or protruding screw threads, add washers if required.



### SHOCK ABSORBING SURFACING:

- ✓ Check for foreign objects. Rake and check depth of loose fill protective surfacing materials to prevent compaction and maintain appropriate depth. Replace as necessary. (See Protective Surfacing, page 4)

### GROUND STAKES (ANCHORS):

- ✓ Check for looseness, damage or deterioration. Should firmly anchor unit to ground during use. Re-secure and or replace, if necessary.

### SWING HANGERS:

- ✓ Check that bolts are secure and tight. Quick clips should be completely closed and threaded clips screwed tight.
- ✓ If squeaking occurs lubricate bushings with oil or WD-40®.

### SWINGS, ROPES AND RIDES:

- ✓ Reinstall if removed during cold season. Check all moving parts including swing seats, ropes, chains and attachments for wear, rust and other deterioration. Replace as needed.
- ✓ Check that ropes are tight, secure at both ends and cannot loop back as to create an entrapment.

### WOOD PARTS:

- ✓ Check all wood members for deterioration, structural damage and splintering. Sand down splinters and replace deteriorated wood members. As with all wood, some checking and small cracks in grain is normal.
- ✓ Applying a water repellent or stain (water-based) on a yearly basis is important maintenance to maintain maximum life and performance of the product.

## Check twice a month during play season:

### HARDWARE:

- ✓ Inspect for tightness. Must be firmly against, but not crushing the wood. **DO NOT OVER-TIGHTEN.** This will cause splintering of wood.
- ✓ Check for sharp edges or protruding screw threads. Add washers if required.

### SHOCK ABSORBING SURFACING:

- ✓ Rake and check depth of loose fill protective surfacing materials to prevent compaction and maintain appropriate depth. Replace as necessary. (See Protective Surfacing, page 4)

## Check once a month during play season:

### SWING HANGERS:

- ✓ Check that they are secure and orientated correctly. Hook should rotate freely and perpendicular to support beam.
- ✓ If squeaking occurs lubricate bushings with oil or WD-40®.

### SWINGS AND RIDES:

- ✓ Check swing seats, all ropes, chains and attachments for fraying, wear, excessive corrosion or damage. Replace if structurally damaged or deteriorated.

## Check at the end of the play season:

### SWINGS AND RIDES:

- ✓ To prolong their life, remove swings and store inside when outside temperature is below 32°F/0°C. Below freezing, plastic parts may become more brittle.

### SHOCK ABSORBING SURFACING:

- ✓ Rake and check depth of loose fill protective surfacing materials to prevent compaction and maintain appropriate depth. Replace as necessary. (See Protective Surfacing, page 4)

**If you dispose of your play set:** Please disassemble and dispose of your unit so that it does not create any unreasonable hazards at the time it is discarded. Be sure to follow your local waste ordinances.

## About Our Wood

KidKraft Premium Play Systems uses only premium playset lumber, ensuring the safest product for your children's use. Although we take great care in selecting the best quality lumber available, wood is still a product of nature and susceptible to weathering which can change the appearance of your set.

### What causes weathering? Does it affect the strength of my Play System?

One of the main reasons for weathering is the effects of water (moisture); the moisture content of the wood at the surface is different than the interior of the wood. As the climate changes, moisture moves in or out of the wood, causing tension which can result in checking and or warping. You can expect the following due to weathering. These changes will not affect the strength of the product:

1. **Checking** is surface cracks in the wood along the grain. A post 4" x 4" (101mm x 101mm) will experience more checking than a board 1" x 4" (25mm x 101mm) because the surface and interior moisture content will vary more widely than in thinner wood.
2. **Warping** results from any distortion (twisting, cupping) from the original plane of the board and often happens from rapid wetting and drying of the wood.
3. **Fading** happens as a natural change in the wood color as it is exposed to sun-light and will turn a grey over time.

### How can I reduce the amount of weathering to my Play System?

At the factory we have coated the wood with a water repellent or stain. This coating decreases the amount of water absorption during rain or snow thus decreasing the tension in the wood. Sunlight will break down the coating, so we recommend applying a water repellent or stain on a yearly basis (see your local stain and paint supplier for a recommended product).

Most weathering is just the normal result of nature and will not affect safe play and enjoyment for your child. However if you are concerned that a part has experienced a severe weathering problem please call our consumer relations department for further assistance.

**Complete and mail registration card to receive important product notifications and assure prompt warranty service.**

# KidKraft Limited Warranty

## MISSING OR DAMAGED PARTS:

KidKraft will replace any parts within 90 days from date of purchase found to be missing from or damaged in the original packaging. See Fig.1

Fig. 1	<u>Product Age (All Parts)</u> 0-90 Days from date of purchase	<u>Consumer Pays</u> \$0 for Part + Free Shipping
--------	---	--

## DEFECTS IN MATERIAL AND WORKMANSHIP:

KidKraft warrants that this product is free from defects in materials and workmanship for a period of one (1) year from the original date of purchase (dated sales receipt and/or product registration is required). This one (1) year warranty covers all parts including wood, hardware, and all accessories (Such as swings, rides, and slides). See Fig. 2

Fig. 2	<u>Product Age (All Parts)</u> 91 Days to 1 Year	<u>Consumer Pays</u> \$0 for Part + Free Shipping
--------	---	--

## WOOD ROT, DECAY, AND INSECT DAMAGE:

All wood carries a five (5) year warranty against rot, decay, and insect damage (dated sales receipt and/or product registration is required). Refer to the schedule below for charges associated with replacement of wood parts under this **Limited Warranty**. See Fig. 3

Fig. 3	<u>Product Age (Wood Parts)</u> 0 Days to 1 Year After 1 Year to 5 Year Over 5 Years	<u>Consumer Pays</u> \$0 for Part + Free Shipping \$0 for Part + Shipping & Handling 100% for Part (if available) + Shipping & Handling
--------	---	--

This warranty applies to the original owner and registrant and is non-transferable. Regular maintenance is required to ensure the integrity of this product. Failure by the owner to maintain the product according to the maintenance requirements may void this warranty.

This Limited Warranty does NOT cover:

- Any inspection cost
- Labor and/or costs for replacement of any defective item(s), including but not limited to, professional installer costs
- Incidental or consequential damages, including but not limited to, as a result of set relocation, move and/or reinstall
- Cosmetic defects which do not affect performance or integrity of a part or the entire product
- Vandalism, improper use or installation, or acts of nature, including but not limited to, high winds, fire, and flood
- Minor twisting, warping, checking, or any natural occurring properties of wood that do not affect performance or integrity.
- Any KidKraft product purchased, including but not limited to, a non-approved retailer, auction houses, second-hand, and as-is clearance items.

KidKraft products have been designed for safety and quality. Modifications made to the original product may damage the structural integrity of the unit leading to failure and possible injury. KidKraft cannot assume any responsibility for the modified products. Furthermore, modifications void all warranties.

This product is warranted for **RESIDENTIAL USE ONLY**. Under no circumstance should a KidKraft product be used in public settings such as schools, churches, playgrounds, parks, home and professional day cares and the like. Such use may lead to product failure and potential injury. Public use will void this warranty. KidKraft disclaims all other representations and warranties of any kind, express or implied





# Battery Instruction and Warranty

This device complies with Part 15 of the FCC Rules. Operation is subject to the following two conditions:

(1) This device may not cause harmful interference, and (2) this device must accept any interference received, including interference that may cause undesired operation.

NOTE: This equipment has been tested and found to comply with the limits for a Class B digital device, pursuant to part 15 of the FCC Rules. These limits are designed to provide reasonable protection against harmful interference in a residential installation. This equipment generates, uses and can radiate radio frequency energy and, if not installed and used in accordance with the instructions, may cause harmful interference to radio communications. However, there is no guarantee that interference will not occur in a particular installation. If this equipment does cause harmful interference to radio or television reception, which can be determined by turning the equipment off and on, the user is encouraged to try to correct the interference by one or more of the following measures:

- Reorient or relocate the receiving antenna.
- Increase the separation between the equipment and receiver.
- Connect the equipment into an outlet on a circuit different from that to which the receiver is connected.
- Consult the dealer or an experienced radio /TV technician for help.

Note: Changes or modifications not expressly approved by the manufacturer responsible for compliance could void the user's authority to operate the equipment.

Please retain the information on this pack for future reference.

- Batteries should always be installed and changed under adult supervision.
- Non-Rechargeable batteries are not to be recharged.
- Rechargeable batteries are only to be charged under adult supervision.
- Only batteries of the same equivalent type as recommended are to be used.
- Batteries are to be inserted with the correct polarity.
- Exhausted batteries are to be removed from the toy and disposed of properly.
- The supply terminals are not to be short circuited.
- Different types of batteries or new and used batteries are not to be mixed.
- DO NOT mix alkaline, standard (carbon-zinc) or rechargeable batteries.
- Be sure to insert new batteries with positive (+) side up.
- Rechargeable batteries are to be removed from the toy before being charged.
- EU Regulations require exhausted batteries to be separately collected so that they can be treated using the best available recovery and recycling techniques. This will minimize the impact on the environment and human health from soil and water contamination by any hazardous substances, decrease the resources required to make new products and avoid using up landfill space.
- Batteries or battery packs must be recycled or disposed of properly. When the batteries in this product have reached the end of their useful life, they should not be disposed of with other household waste.
- Please do your part by keeping waste batteries out of the municipal waste stream!

## Supplier's Declaration of Conformity

Unique Identifier: F29720

### Party issuing Supplier's Declaration of Conformity Responsible Party - U.S. Contact Information

KidKraft, Inc.  
4630 Olin Road  
Dallas, Texas 75244 U.S.A.  
customerservice@kidkraft.com  
1(800) 933-0771 / (972) 385-0100

### FCC Compliance Statement (for products subject to Part 15)

This device complies with Part 15 of the FCC Rules. Operation is subject to the following two conditions: (1) This device may not cause harmful interference, and (2) this device must accept any interference received, including interference that may cause undesired operation.



parts.kidkraft.com

customerservice@kidkraft.com  
1.800.933.0771  
972.385.0100

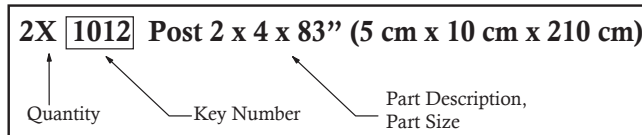
# Keys to Assembly Success

## Tools Required

<ul style="list-style-type: none"> <li>• Tape Measure</li> <li>• Carpenters Level</li> <li>• Carpenters Square</li> <li>• Claw Hammer</li> <li>• Standard or Cordless Drill</li> <li>• Rubber Mallet</li> </ul>	<ul style="list-style-type: none"> <li>• #1 Phillips, #2 Robertson and Screwdriver</li> <li>• Ratchet with extension 1/2" (13mm) &amp; 7/16" (11 mm) sockets</li> </ul>	<ul style="list-style-type: none"> <li>• Open End Wrench 1/2" (13mm) &amp; 7/16" (11 mm)</li> <li>• Adjustable Wrench</li> <li>• 1/8" (3mm) &amp; 3/16" (5mm) Drill Bits</li> </ul>	<ul style="list-style-type: none"> <li>• 3/16" (5mm) Hex Key</li> <li>• 8' (2.4m) Step Ladder</li> <li>• Safety Glasses</li> <li>• Adult Helpers</li> <li>• Pencil</li> </ul>
---	---	---	---

## Part Identification Key

On each page, you will find the parts and quantities required to complete the assembly step illustrated on that page. Here is a sample.



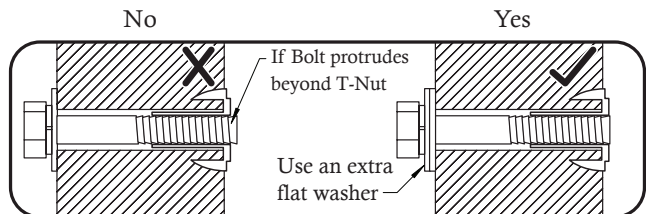
## Symbols

Throughout these instructions symbols are provided as important reminders for proper and safe assembly.

<p>This identifies information that requires special attention. Improper assembly could lead to an unsafe or dangerous condition.</p>	<p>Check that set or assembly is properly level before proceeding.</p>
<p>Use Help</p> <p>Use Help</p> <p>Where this is shown, 2 or 3 people are required to safely complete the step. To avoid injury or damage to the assembly make sure to get help!</p>	<p>Pre-drill 1/8" (3mm) Bit</p> <p>Pre-drill a pilot hole before fastening screw or lag to prevent splitting of wood.</p>
<p>Measure Distance</p> <p>Use a measuring tape to assure proper location.</p>	<p>Tighten Bolts</p> <p>This indicates time to tighten bolts, but not too tight! Do not crush the wood. This may create splinters and cause structural damage.</p>
<p>Check that assembly is square before tightening bolts.</p> <p>Square Assembly</p>	

## CAUTION – Protrusion Hazard

Once the assembly is tightened, watch for exposed threads. If a thread protrudes from the T-Nut, remove the bolt and add washers to eliminate this condition. Extra washers have been provided for this purpose.

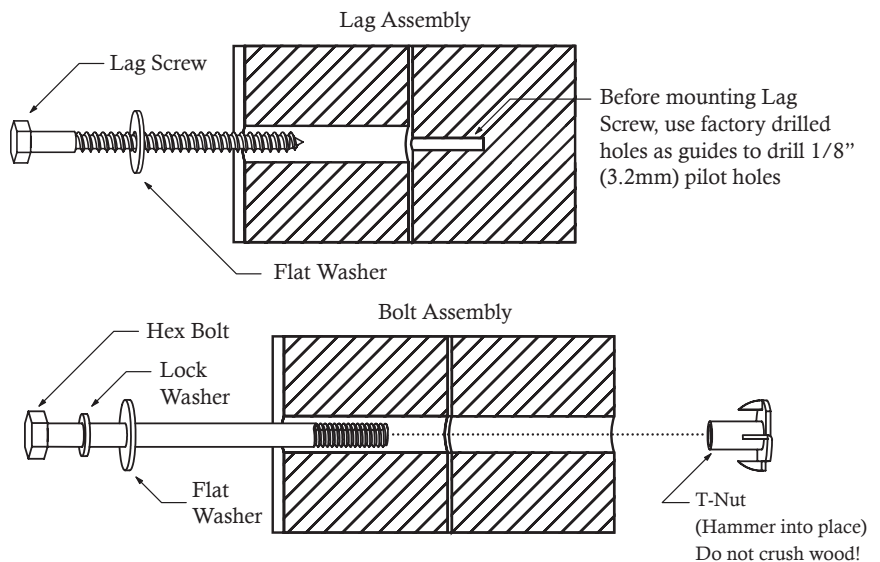


## Proper Hardware Assembly

Lag screws require drilling pilot holes to avoid splitting wood. Only a flat washer is required. For ease of installation liquid soap can be used on all lag-type screws.

For bolts, tap T-Nut into hole with hammer. Insert the hex bolt through lock washer first then flat washer then hole. Because the assemblies need to be squared do not completely tighten until instructed. Pay close attention to diameter of the bolts. 5/16" (8mm) is slightly larger than 1/4" (6.4mm).

Note: Wafer head bolts with blue lock tight or a bolt with a Ny-Lok nut do NOT require a lock washer.

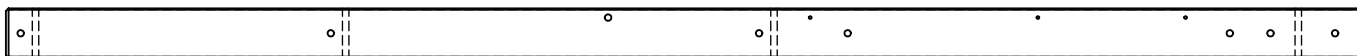




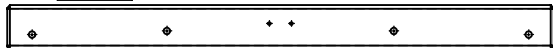
# Part Identification (Reduced Size)

2x - **[11296]** - 34.9 mm x 85.7 mm x 2336.8 mm - 36311296

1 3/8" x 3 3/8" x 92"



2x - **[11297]** - 31.8 mm x 76.2 mm x 939.8 mm - 36311297



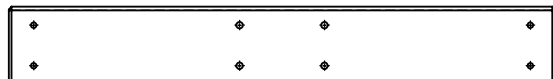
1 1/4" x 3" x 37"

7x - **[11298]** - 31.8 mm x 76.2 mm x 939.8 mm - 36311298



1 1/4" x 3" x 37"

1x - **[11299]** - 31.8 mm x 133.4 mm x 939.8 mm - 36311299



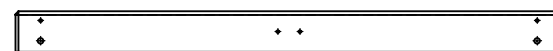
1 1/4" x 5 1/4" x 37"

4x - **[11300]** - 34.9 mm x 85.7 mm x 2260.6 mm - 36311300

1 3/8" x 3 3/8" x 89"

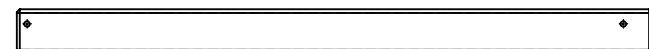


2x - **[11301]** - 31.8 mm x 76.2 mm x 939.8 mm - 36311301



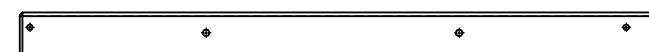
1 1/4" x 3" x 37"

3x - **[11302]** - 31.8 mm x 76.2 mm x 1092.2 mm - 36311302



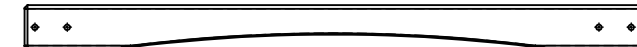
1 1/4" x 3" x 43"

2x - **[11303]** - 31.8 mm x 76.2 mm x 1092.2 mm - 36311303



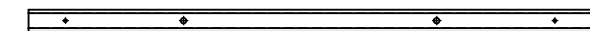
1 1/4" x 3" x 43"

2x - **[11304]** - 31.8 mm x 76.2 mm x 1060.4 mm - 36311304



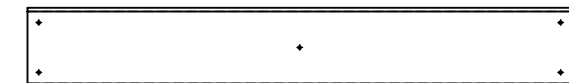
1 1/4" x 3" x 41 3/4"

2x - **[11305]** - 38.1 mm x 38.1 mm x 965.2 mm - 36311305



1 1/2" x 1 1/2" x 38"

10x - **[11306]** - 15.9 mm x 136.5 mm x 935.8 mm - 35811306



5/8" x 5 3/8" x 36 13/16"

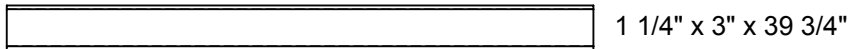
2x - **[11307]** - 15.9 mm x 114.3 mm x 939.8 mm - 36311307



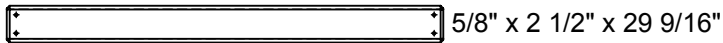
5/8" x 4 1/2" x 37"

# Part Identification (Reduced Size)

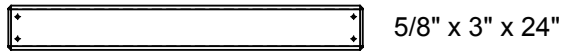
1x - **11308** - 31.8 mm x 76.2 mm x 1009 mm - 36311308



5x - **11310** - 15.9 mm x 63.5 mm x 750.6 mm - 36311310



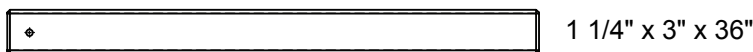
22x - **11311** - 15.9 mm x 76.2 mm x 609.6 mm - 36311311



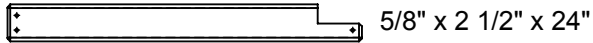
1x - **11312** - 23.8 mm x 108 mm x 1059.8 mm - 35811312



8x - **11313** - 31.8 mm x 76.2 mm x 914.4 mm - 36311313



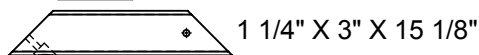
1x - **11314** - 15.9 mm x 63.5 mm x 609.6 mm - 36311314



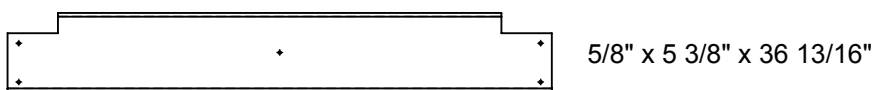
8x - **11315** - 31.8 mm x 76.2 mm x 442 mm - 36311315



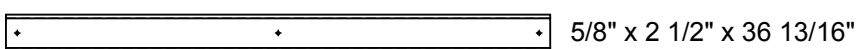
4x - **11316** - 31.8 mm x 76.2 mm x 384.1 mm - 36311316



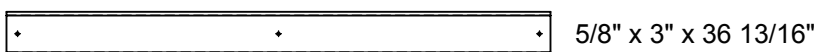
2x - **11317** - 15.9 mm x 136.5 mm x 935.8 mm - 35811317



1x - **11318** - 15.9 mm x 63.5 mm x 935.8 mm - 35811318



1x - **11319** - 15.9 mm x 76.2 mm x 935.8 mm - 35811319

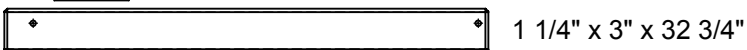


2x - **11320** - 34.9 mm x 85.7 mm x 2336.8 mm - 36311320

1 3/8" x 3 3/8" x 92"

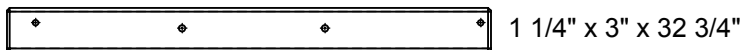


2x - **11321** - 31.8 mm x 76.2 mm x 832.2 mm - 36311321



## Part Identification (Reduced Size)

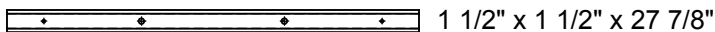
2x - **11322** - 31.8 mm x 76.2 mm x 832.2 mm - 36311322



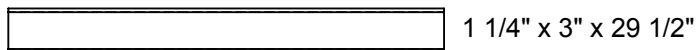
1x - **11323** - 31.8 mm x 76.2 mm x 800.4 mm - 36311323



2x - **11324** - 38.1 mm x 38.1 mm x 708.7 mm - 36311324



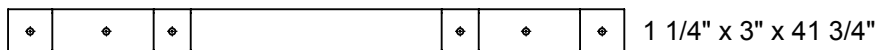
1x - **11325** - 31.8 mm x 76.2 mm x 749 mm - 36311325



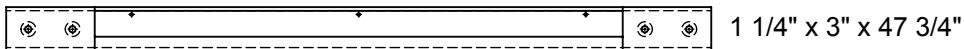
1x - **11326** - 31.8 mm x 133.4 mm x 800.4 mm - 36311326



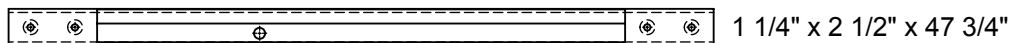
2x - **11327** - 31.8 mm x 76.2 mm x 1059.8 mm - 36311327



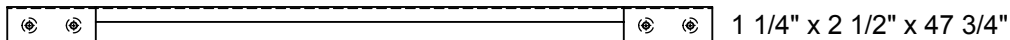
2x - **11328** - 31.8 mm x 76.2 mm x 1212.85 mm - 36311328



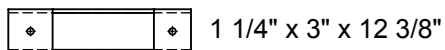
1x - **11329** - 31.8 mm x 63.5 mm x 1212.85 mm - 36311329



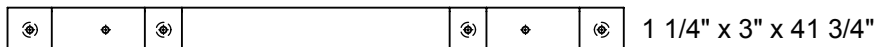
1x - **11330** - 31.8 mm x 63.5 mm x 1212.85 mm - 36311330



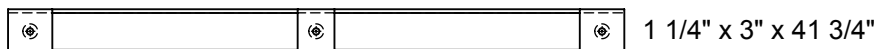
4x - **11331** - 31.8 mm x 76.2 mm x 314 mm - 36311331



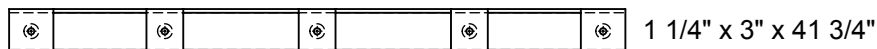
1x - **11332** - 31.8 mm x 76.2 mm x 1059.8 mm - 36311332



1x - **11333** - 31.8 mm x 76.2 mm x 1059.8 mm - 36311333

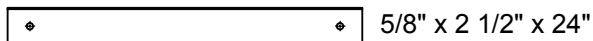


1x - **11334** - 31.8 mm x 76.2 mm x 1059.8 mm - 36311334



## Part Identification (Reduced Size)

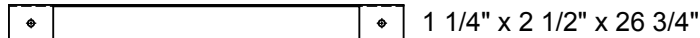
1x - **11335** - 15.9 mm x 63.5 mm x 609.6 mm - 36311335



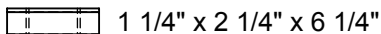
5x - **11336** - 11.9 mm x 82.6 mm x 954 mm - 36311336



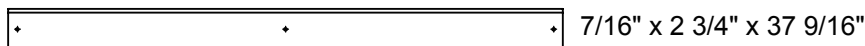
2x - **11337** - 31.8 mm x 63.5 mm x 679 mm - 36311337



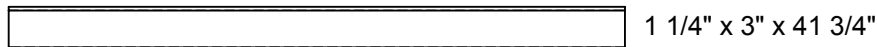
4x - **11338** - 31.8 mm x 57.2 mm x 158 mm - 36311338



1x - **11339** - 11.9 mm x 69.9 mm x 954 mm - 36311339



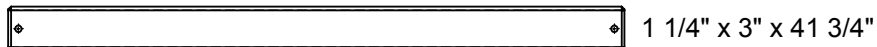
1x - **11340** - 31.8 mm x 76.2 mm x 1059.8 mm - 36311340



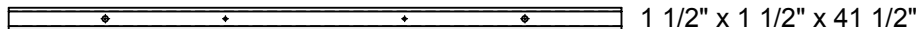
7x - **11341** - 15.9 mm x 136.5 mm x 700.8 mm - 35811341



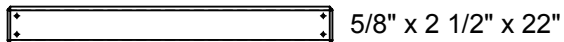
4x - **11342** - 31.8 mm x 76.2 mm x 1059.8 mm - 36311342



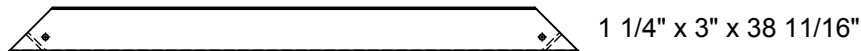
2x - **11343** - 38.1 mm x 38.1 mm x 1053.8 mm - 36311343



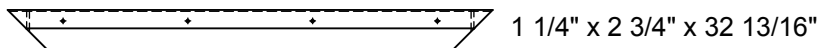
14x - **11344** - 15.9 mm x 63.5 mm x 558.8 mm - 36311344



2x - **11345** - 31.8 mm x 76.2 mm x 982 mm - 35811345



8x - **11346** - 31.8 mm x 69.9 mm x 834.2 mm - 35811346

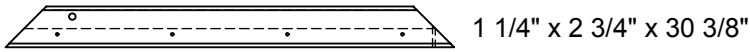


2x - **11347** - 31.8 mm x 69.9 mm x 771.5 mm - 35811347



## Part Identification (Reduced Size)

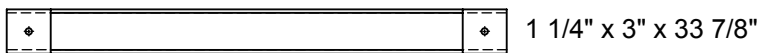
2x - [11348] - 31.8 mm x 69.9 mm x 771.5 mm - 35811348



2x - [11349] - 31.8 mm x 76.2 mm x 939.8 mm - 36311349



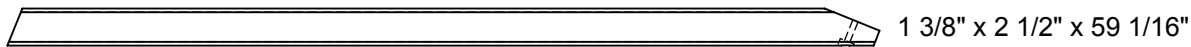
2x - [11350] - 31.8 mm x 76.2 mm x 860.2 mm - 36311350



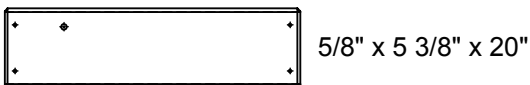
4x - [11351] - 15.9 mm x 136.5 mm x 508 mm - 35811351



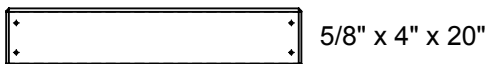
2x - [11352] - 34.9 mm x 63.5 mm x 1500 mm - 36311352



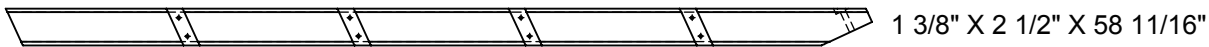
6x - [11353] - 15.9 mm x 136.5 mm x 508 mm - 35811353



1x - [11354] - 15.9 mm x 101.6 mm x 508 mm - 35811354



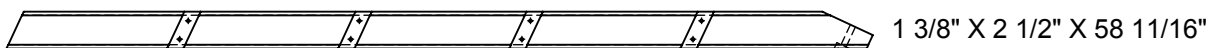
1x - [11355] - 34.9 mm x 63.5 mm x 1490 mm - 36311355



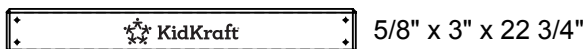
4x - [10892] - 23.8 mm x 82.6 mm x 539.8 mm - 36310892



1x - [11356] - 34.9 mm x 63.5 mm x 1490 mm - 36311356



1x - [11357] - 15.9 mm x 76.2 mm x 577.8 mm - 36311357

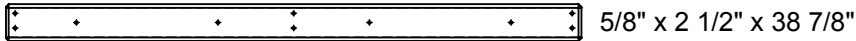


2x - [11358] - 31.8 mm x 76.2 mm x 508 mm - 36311358

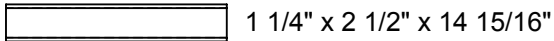


# Part Identification (Reduced Size)

2x - **[11359]** - 15.9 mm x 63.5 mm x 986.8 mm - 36311359



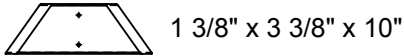
3x - **[11360]** - 31.8 mm x 63.5 mm x 379.71 mm - 36311360



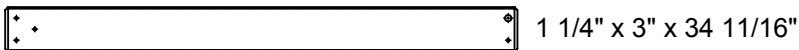
3x - **[11361]** - 15.9 mm x 136.5 mm x 986.8 mm - 35811361



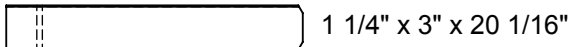
1x - **[9122]** - 34.9 mm x 85.7 mm x 254 mm - 3589122



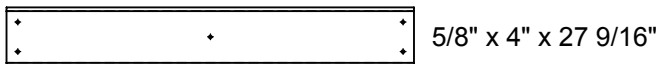
1x - **[11270]** - 31.8 mm x 76.2 mm x 880.8 mm - 36311270



1x - **[11271]** - 31.8 mm x 76.2 mm x 510 mm - 36311271

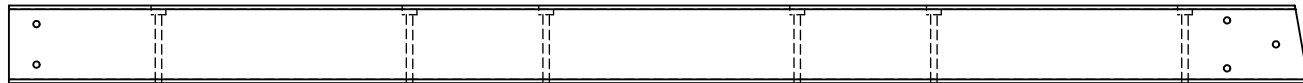


1x - **[11362]** - 15.9 mm x 101.6 mm x 700.8 mm - 35811362

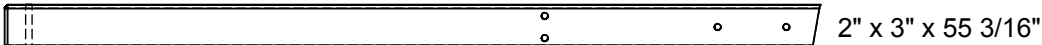


1x - **[10915]** - 50.8 mm x 133.4 mm x 2235.2 mm - 36310915

2" x 5 1/4" x 88"

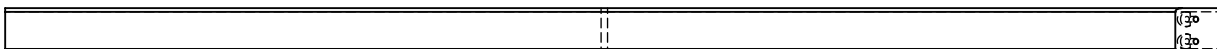


1x - **[11363]** - 50.8 mm x 76.2 mm x 1402.3 mm - 36311363

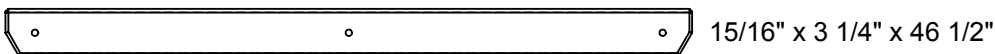


2x - **[10917]** - 50.8 mm x 76.2 mm x 2100 mm - 36310917

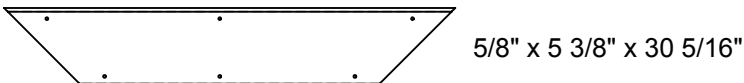
2" x 3" x 82 11/16"



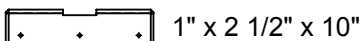
1x - **[2616]** - 23.8 mm x 82.6 mm x 1181.1 mm - 3632616



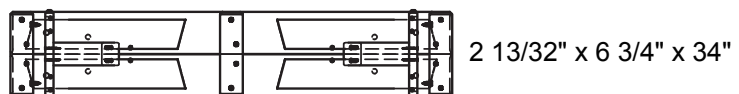
4x - **[11364]** - 15.9 mm x 136.5 mm x 770 mm - 35811364



1x - **[2715]** - 25.4 mm x 63.5 mm x 254 mm - 3632715



1x - **[2658]** - 61.1 mm x 171.5 mm x 863.6 mm - 37632658

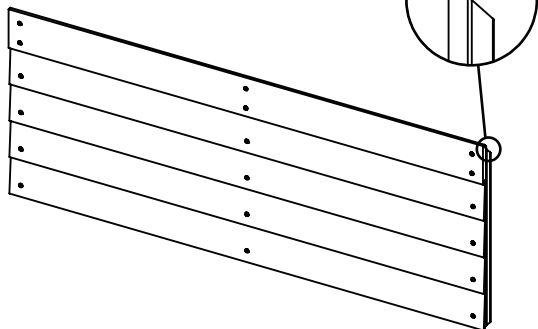


# Part Identification (Reduced Size)

1x - **9468** - 37589468

31.8 mm x 424.2 mm x 1086.8 mm

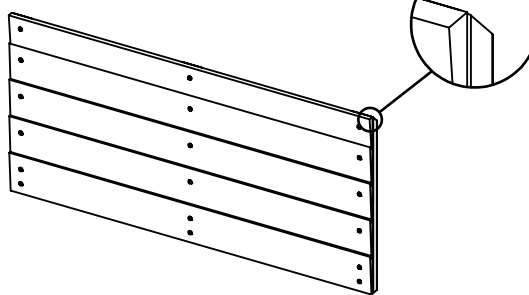
1 1/4" x 16 11/16" x 42 13/16"



2x - **9472** - 37589472

31.8 mm x 405 mm x 826.8 mm

1 1/4" x 15 15/16" x 32 9/16"



2x - **9469** - 37589469

31.8 mm x 405 mm x 1086.8 mm

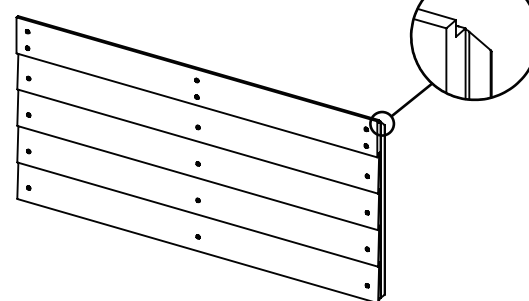
1 1/4" x 15 15/16" x 42 13/16"



1x - **9473** - 37589473

31.8 mm x 417.9 mm x 826.8 mm

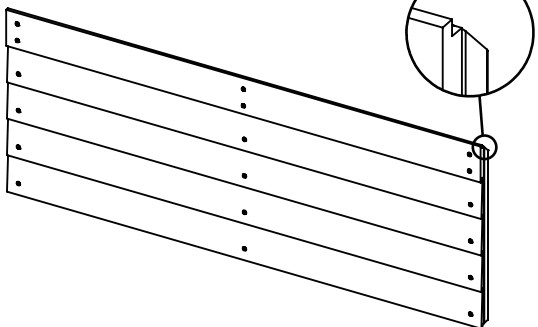
1 1/4" x 16 7/16" x 32 9/16"



1x - **9470** - 37589470

31.8 mm x 418.7 mm x 1086.8 mm

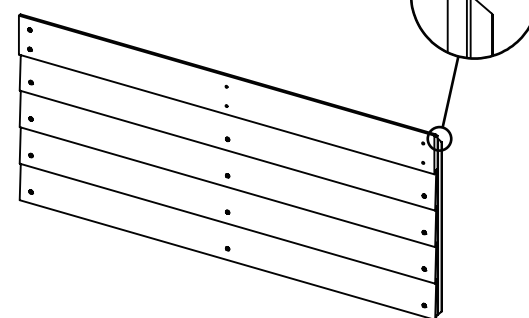
1 1/4" x 16 1/2" x 42 13/16"



1x - **9474** - 37589474

31.8 mm x 424.2 mm x 951.8 mm

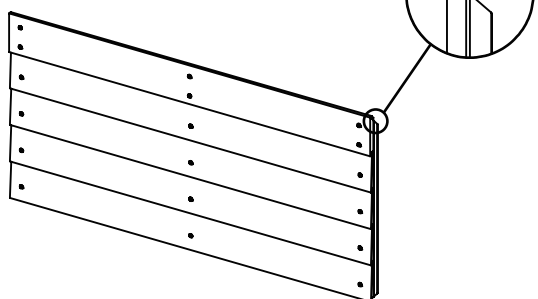
1 1/4" x 16 11/16" x 37 1/2"



1x - **9471** - 37589471

31.8 mm x 424.2 mm x 826.8 mm

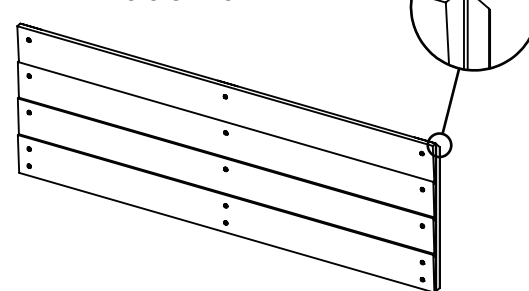
1 1/4" x 16 11/16" x 32 9/16"



2x - **9475** - 37589475

31.8 mm x 339.6 mm x 951.8 mm

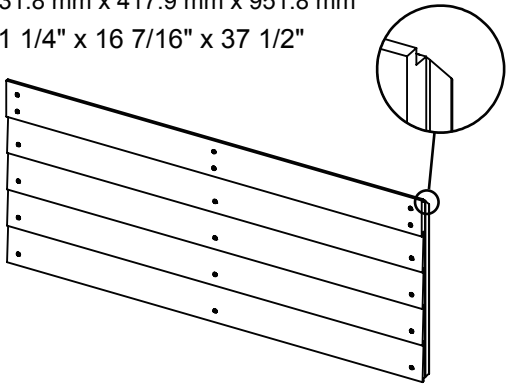
1 1/4" x 13 3/8" x 37 1/2"



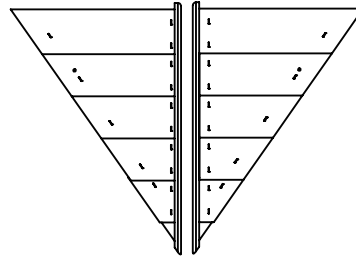


# Part Identification (Reduced Size)

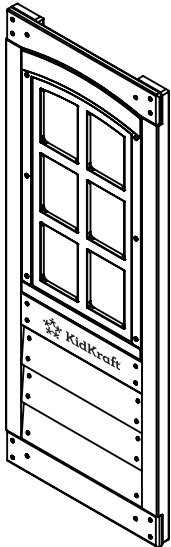
1x - **9476** - 37589476  
 31.8 mm x 417.9 mm x 951.8 mm  
 1 1/4" x 16 7/16" x 37 1/2"



1x - **531** **532** - 37588068  
 38.1 mm x 338.1 mm x 503.2 mm  
 1 1/2" x 13 5/16" x 19 13/16"



1x - **9477** - 37589477  
 31.8 mm x 400.1 mm x 1028.6 mm  
 1 1/4" x 15 3/4" x 40 1/2"



1x - **9478** - 37639478  
 31.8 mm x 76.2 mm x 1212.9 mm  
 1 1/4" x 3" x 47 3/4"



1x - **9479** - 37639479  
 31.8 mm x 76.2 mm x 1212.9 mm  
 1 1/4" x 3" x 47 3/4"

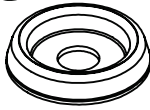


# Hardware Identification (Actual Size)

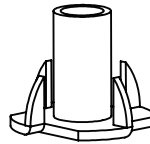
11 x **LW1** - 1/4" - 51303200  
6.4mm



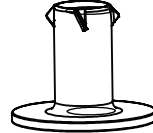
8 x **FW6** - #12 - 9299500



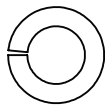
5 x **TN1** - 1/4" - 54503200  
6.4mm



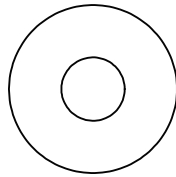
6 x **BN1** - 1/4" - 54803200  
6.4mm



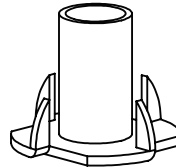
114 x **LW2** - 5/16" - 51303300  
7.9mm



207 x **FW2** - 5/16" - 51103300  
7.9mm



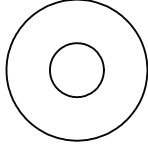
101 x **TN2** - 5/16" - 54503300  
7.9mm



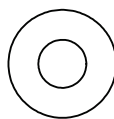
66 x **LN1** - 1/4" - 54303200  
6.4mm



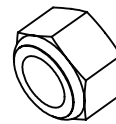
36 x **FW1** - 1/4" - 51103200  
6.4mm



6 x **FW0** - 3/16" - 51103100  
4.8mm



51 x **LN2** - 5/16" - 54303300  
7.9mm



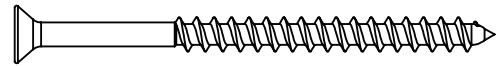
44 x **S2** - #8 x 1-1/2" - 52043512  
38.1mm



144 x **S0** - #8 x 7/8" - 52933505  
22.2mm



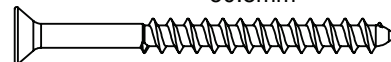
72 x **S3** - #8 x 2-1/2" - 52043522  
63.5mm



26 x **S4** - #8 x 3" - 52043530  
76.2mm



64 x **S11** - #8 x 2" - 52043520  
50.8mm



4 x **S18** - #6 x 1" - 52013910  
25.4mm



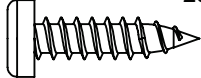
292 x **S20** - #8 x 1-3/8" - 52043516  
34.9mm



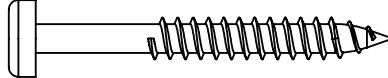
6 x **S10** - #8x 1" - 52433510  
25.4mm



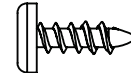
19 x **S6** - #12 x 1" - 52433610  
25.4mm



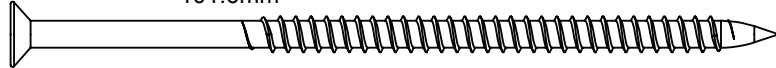
58 x **S7** - #12 x 2" - 52433620  
50.8mm



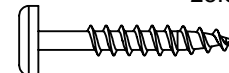
23 x **S37** - #7 x 5/8" - 52433009  
15.9mm



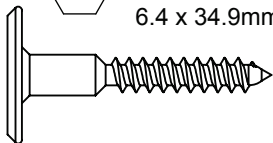
8 x **S24** - #10 x 4" - 52043940  
101.6mm



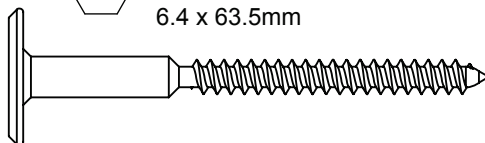
4 x **S38** - #7 x 1-1/8" - 52433014  
28.6mm



12 x **WL3** - 1/4 x 1-3/8" - 52613216  
6.4 x 34.9mm

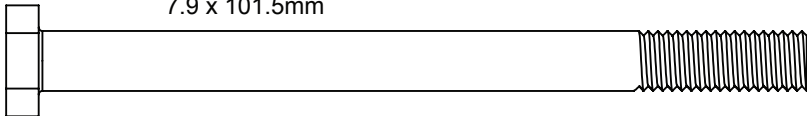


16 x **WL5** - 1/4 x 2-1/2" - 52613222  
6.4 x 63.5mm

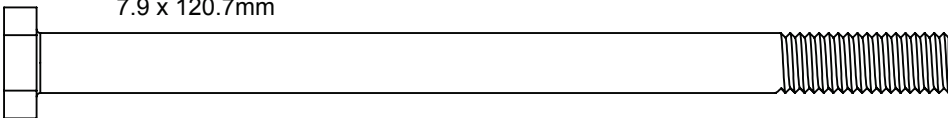


# Hardware Identification (Actual Size)

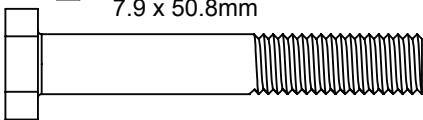
3 x **G4** - 5/16 x 4" - 53703340  
7.9 x 101.5mm



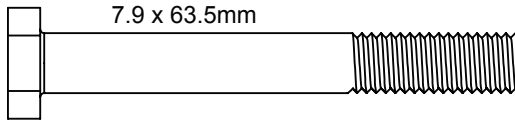
24 x **G6** - 5/16 x 4-3/4" - 53703343  
7.9 x 120.7mm



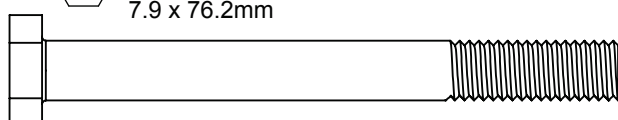
6 x **G8** - 5/16 x 2" - 53703320  
7.9 x 50.8mm



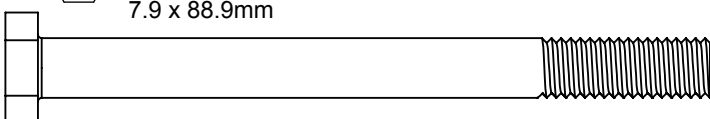
8 x **G9** - 5/16 x 2-1/2" - 53703322  
7.9 x 63.5mm



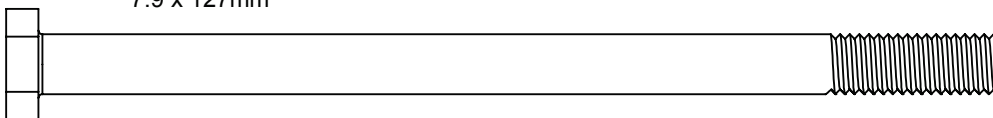
8 x **G10** - 5/16 x 3" - 53703330  
7.9 x 76.2mm



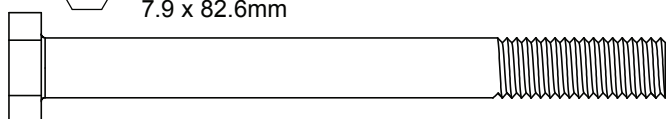
8 x **G11** - 5/16 x 3-1/2" - 53703332  
7.9 x 88.9mm



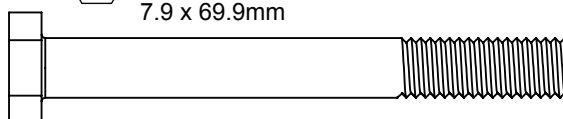
6 x **G22** - 5/16 x 5" - 53703350  
7.9 x 127mm



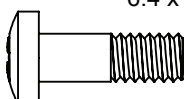
16 x **G35** - 5/16 x 3-1/4" - 53703331  
7.9 x 82.6mm



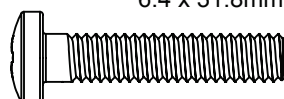
37 x **G36** - 5/16 x 2-3/4" - 53703323  
7.9 x 69.9mm



54 x **PB1** - 1/4 x 3/4" - 53453203  
6.4 x 19.1mm



6 x **PB2** - 1/4 x 1-1/4" - 53433212  
6.4 x 31.8mm

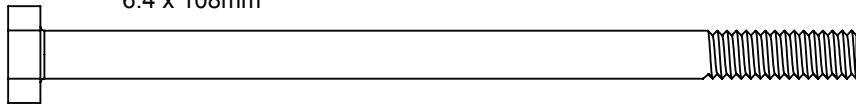


11 x **PB6** - 1/4 x 1" - 53413210  
6.4 x 25.4mm

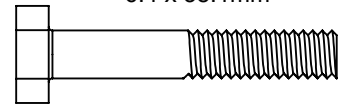


# Hardware Identification (Actual Size)

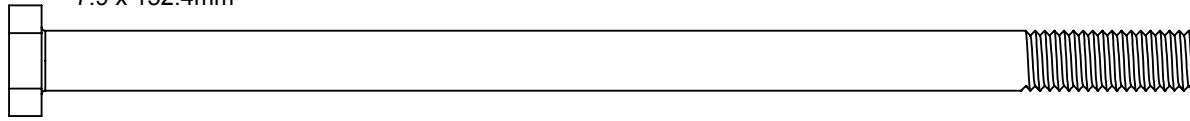
1 x **(H8)** - 1/4 x 4-1/4" - 53703241  
6.4 x 108mm



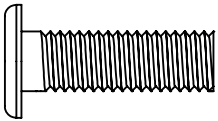
4 x **(H1)** - 1/4 x 1-1/2" - 53703212  
6.4 x 38.1mm



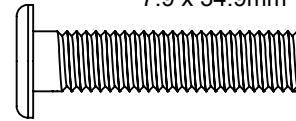
4 x **(Z)** - 5/16 x 6" - 53703360  
7.9 x 152.4mm



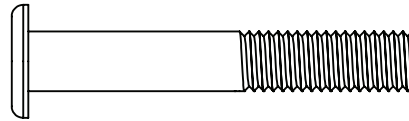
28 x **(WB1)** - 5/16 x 1" - 53613310  
7.9 x 25.4mm



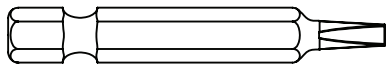
4 x **(WB2)** - 5/16 x 1-3/8" - 53613316  
7.9 x 34.9mm



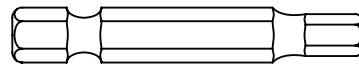
2 x **(WB4)** - 1/4 x 2" - 53613220  
6.4 x 50.8mm



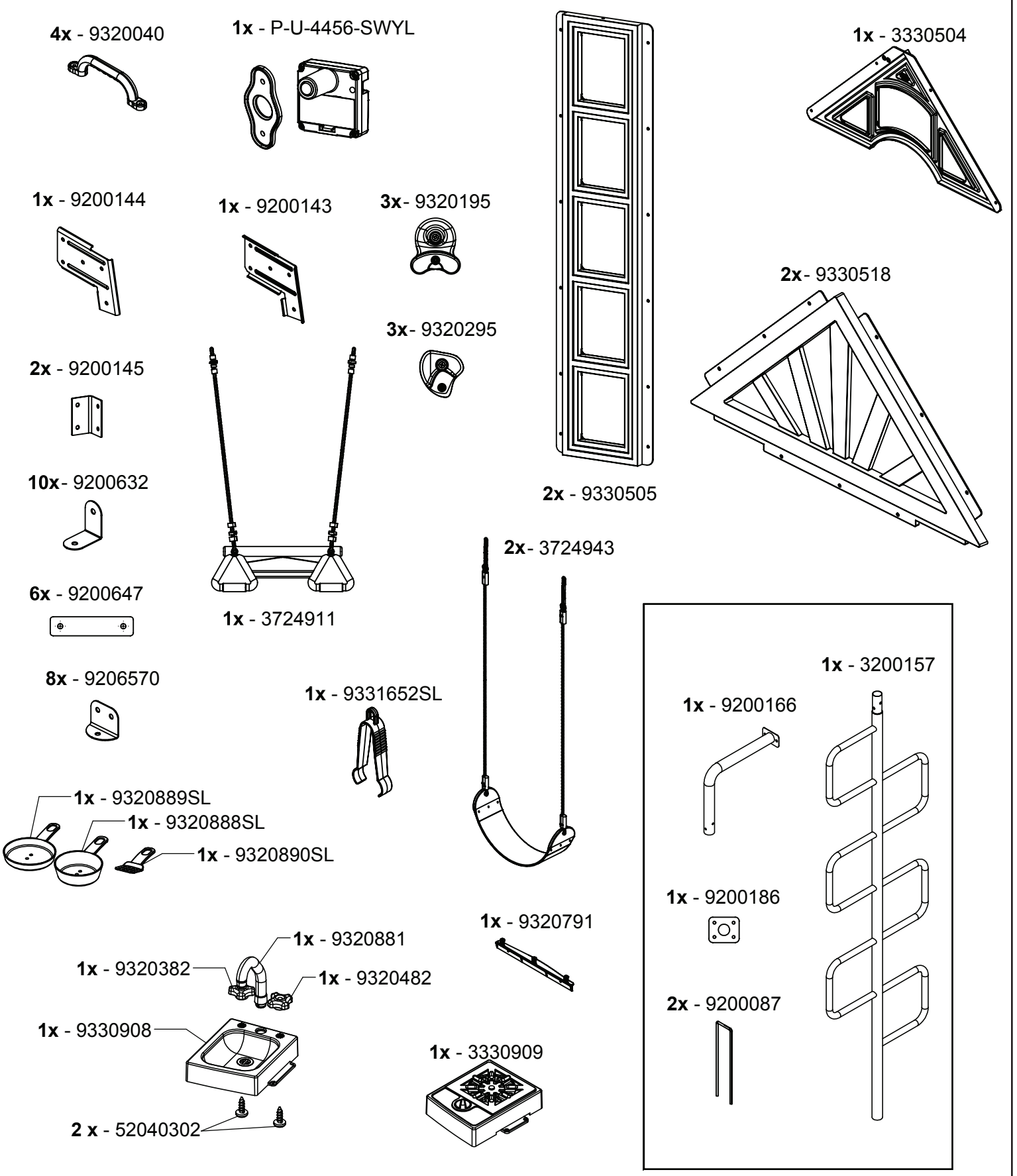
1 x **(D4)** - #2 x 2 - 9200014



1 x **(D6)** - 3/16" - 9200019  
4.8mm



# Part Identification (Reduced Part Size)



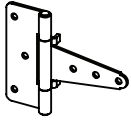
europecustomerservice@kidkraft.com  
 +31 20 305 8620  
 M-F from 09:00 to 17:30 (GMT+1)

parts.kidkraft.eu



# Part Identification (Reduced Part Size)

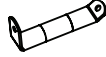
2x - 9201712



1x - 9207713



1x - 9200158



1x - 9320374

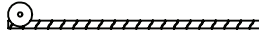


1x - 3320353



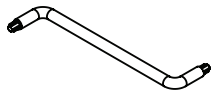
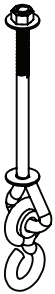
2x - 9201711

8x - 9290318



## Included in hardware kit

6x - 9201563



1x - D1(9200015)

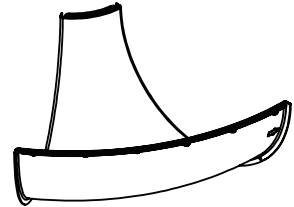


1x - 1/8 x 3"  
(3.2 x 76.2mm) - 9300183

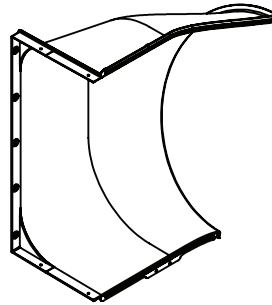
10x - 9300130



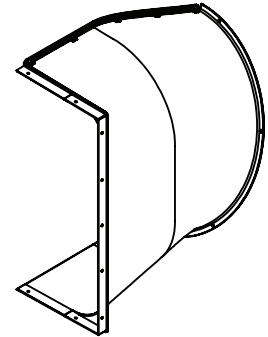
9x - 3310121



1x - 3310131



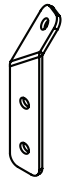
1x - 3310130



2x - (9200157)



31x - (54902200)



1x - (9200156)

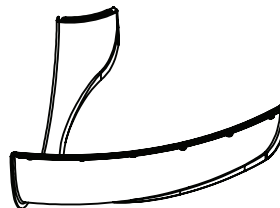
30x - (53453202)



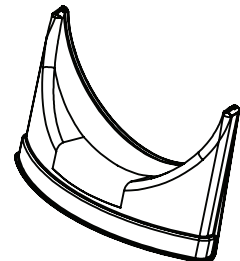
1x - (53452209)



1x - 3310124

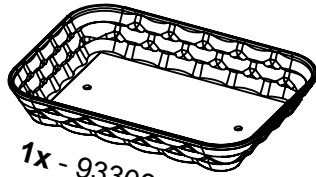
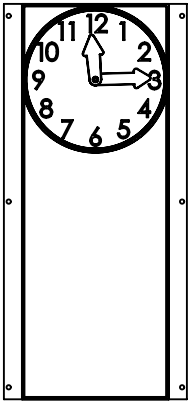


1x - 3310132

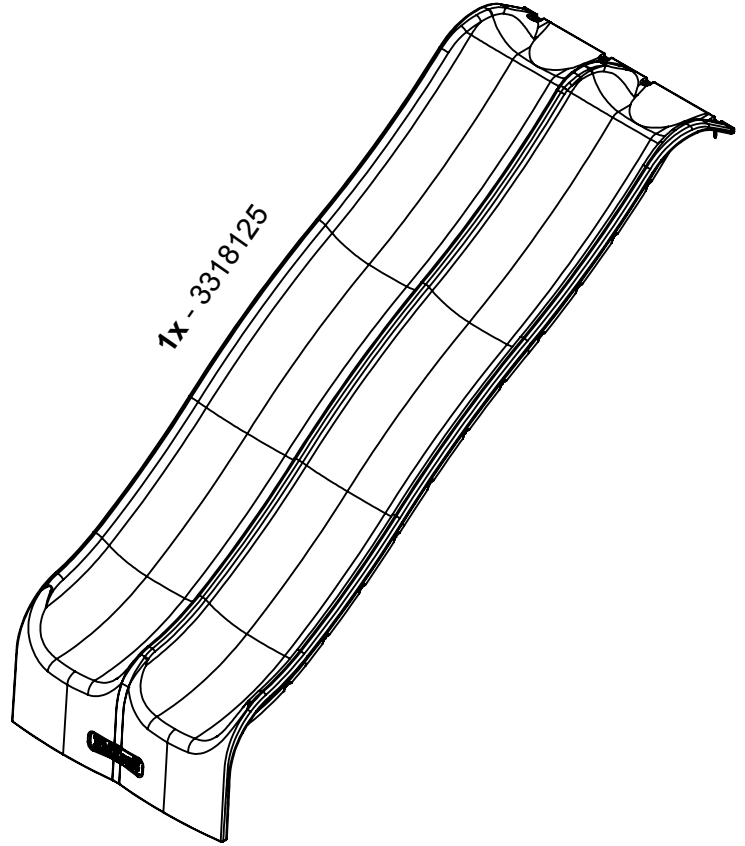


# Part Identification (Reduced Part Size)

2x - 3320704



1x - 9330313



1x - 3318125

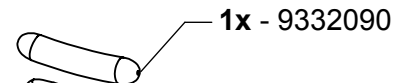
1x - 9333686



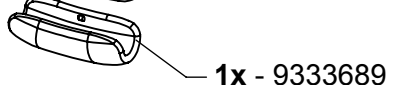
1x - 9330687



1x - 9333685



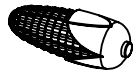
1x - 9332090



1x - 9333689



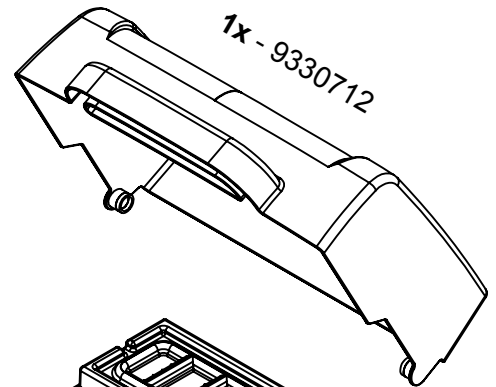
1x - 9330383



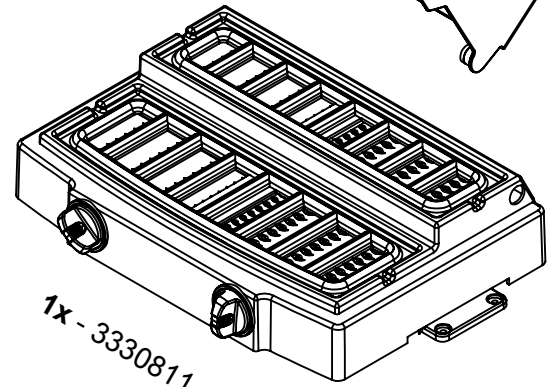
1x - 9330288



1x - 9330284



1x - 9330712

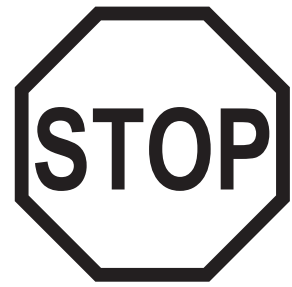
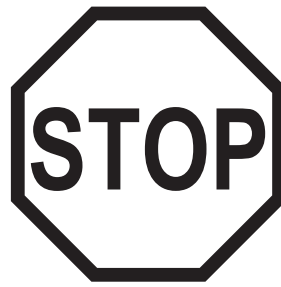
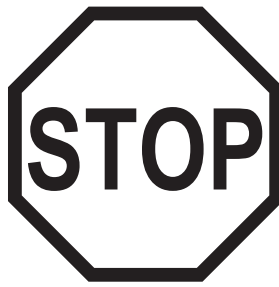
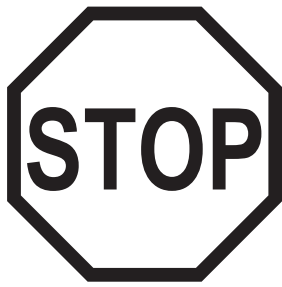


1x - 3330811



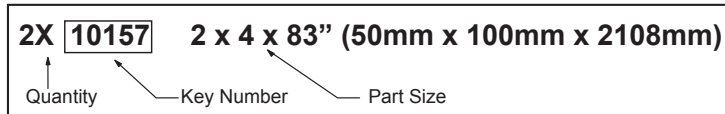


# 1 Inventory Parts - Read This Before Starting Assembly



Inventory should be completed before starting installation. KidKraft will not cover costs of any additional installation trip due to missing or damaged pieces.

- A. This is the time for you to inventory all your hardware, wood and accessories, referencing the parts identification sheets. This will assist you with your assembly.
- The wood pieces will have the key number stamped on the ends of the boards. Organize the wood pieces by step, as per the key numbering system below.



- B. Read the assembly manual completely, paying special attention to ANSI warnings; notes; and safety/maintenance information on pages 1 - 9.

**If there are missing or damaged pieces,  
please contact the KidKraft Consumer Engagement team  
before going back to the retailer.**

## Order Replacement Parts 24/7

You can order replacement parts for this product 24 hours a day / 7 days a week:

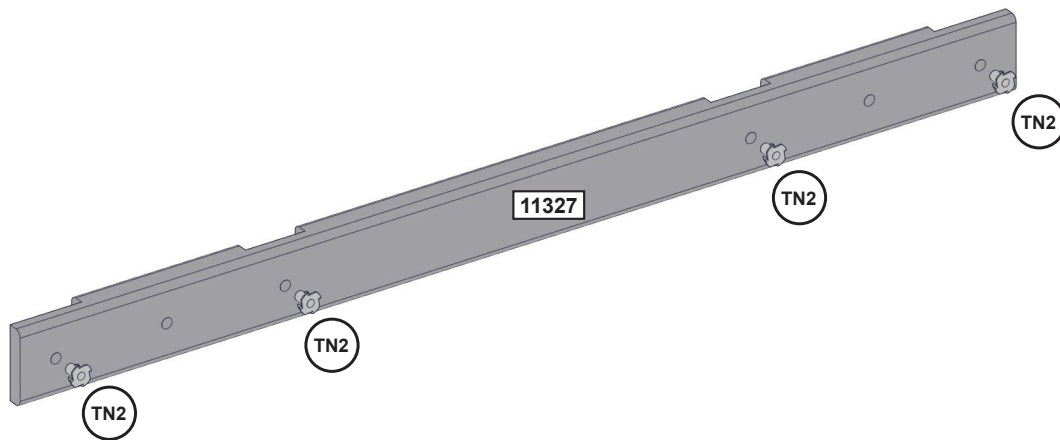
**Outdoor Swingsets and Playhouse Parts Ordering**  
<https://parts.kidkraft.com/partsorderemail>

If you have assembly or product questions, please refer to the front cover for direct contact information for our Consumer Engagement team OR you can also use this QR code with your smartphone for common questions and contact information.



**KidKraft Help Center**      <https://kidkraft.zendesk.com/hc/en-us/>

## 2 Playhouse Walls



### Wood Parts

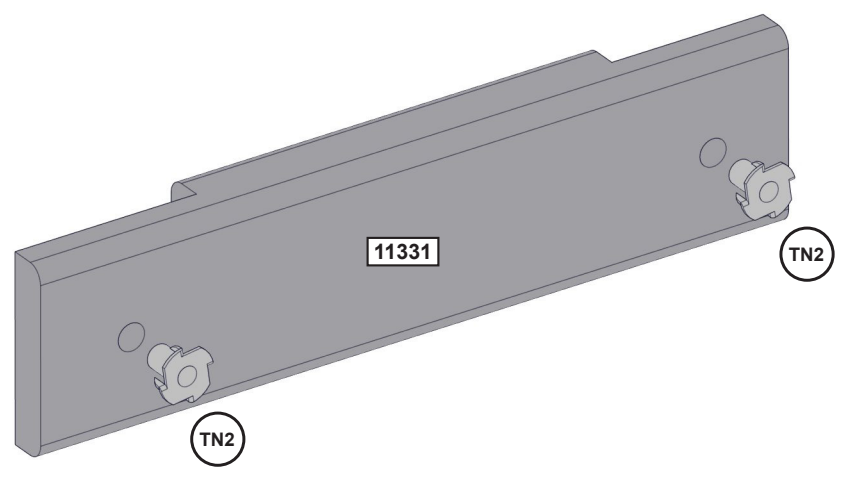
2 x 31.8 mm x 76.2 mm x 1059.8 mm (1 1/4" x 3" x 41 3/4")

### Hardware

8 x

3

Hammer T-Nuts into the hole.  
Complete this step four times.



Wood Parts

4 x 11331 31.8 mm x 76.2 mm x 314 mm (1 1/4" x 3" x 12 3/8")

Hardware

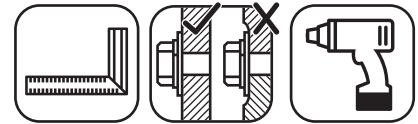
8 x TN2



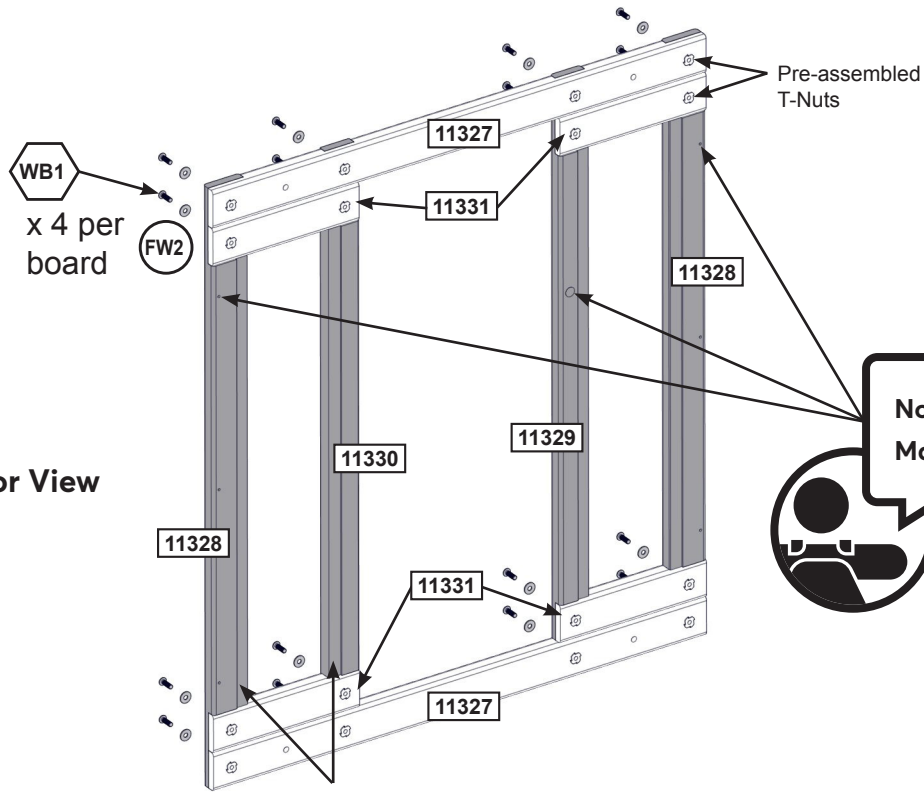
parts.kidkraft.com

customerservice@kidkraft.com  
1.800.933.0771  
972.385.0100

4

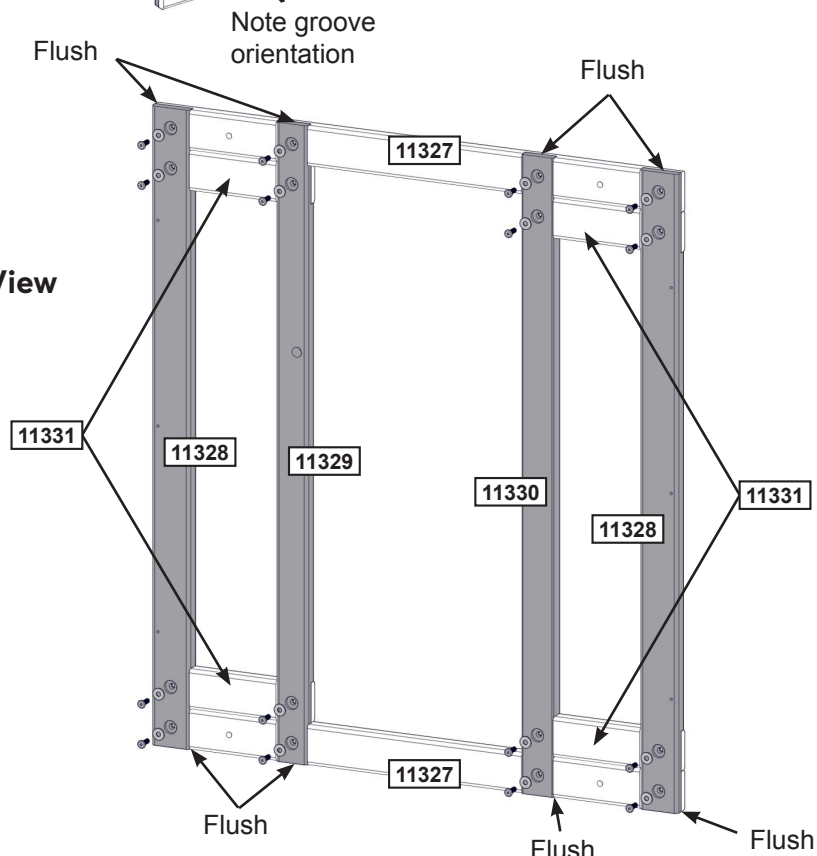


Interior View



Note hole orientation  
Make sure the assembly is square.

Exterior View



**Wood Parts**

- 2 x 11328 31.8 mm x 76.2 mm x 1212.85 mm (1 1/4" x 3" x 47 3/4")
- 1 x 11329 31.8 mm x 63.5 mm x 1212.85 mm (1 1/4" x 2 1/2" x 47 3/4")
- 1 x 11330 31.8 mm x 63.5 mm x 1212.85 mm (1 1/4" x 2 1/2" x 47 3/4")

**Hardware**

- 16 x WB1 7.9 x 25.4 mm (5/16 x 1") (FW2)

europecustomerservice@kidkraft.com  
+31 20 305 8620  
M-F from 09:00 to 17:30 (GMT+1)

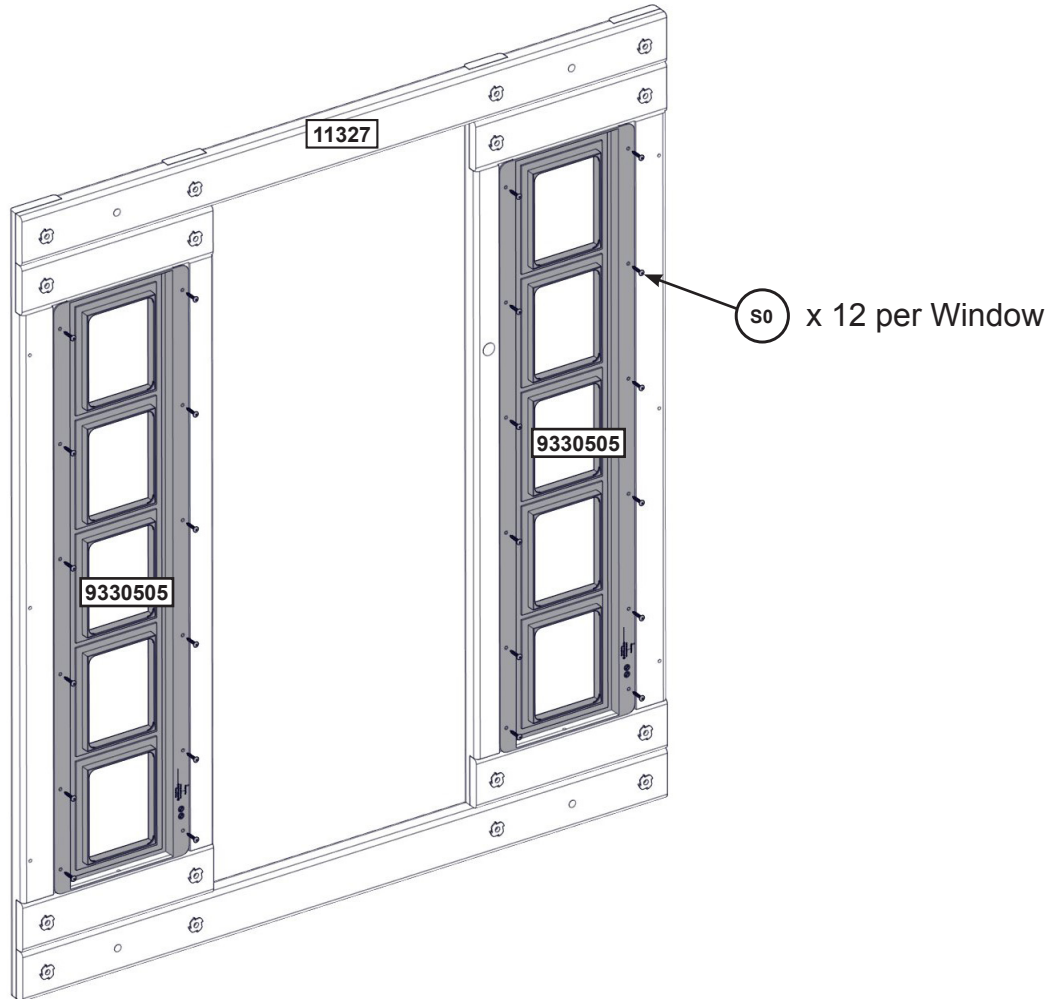
parts.kidkraft.eu



5



Center in the opening



Hardware

24 x S0 #8 x 22.2 mm (#8 x 7/8")

Other Parts

2 x 9330505



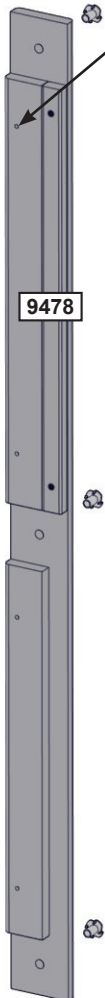
parts.kidkraft.com

customerservice@kidkraft.com  
1.800.933.0771  
972.385.0100

6

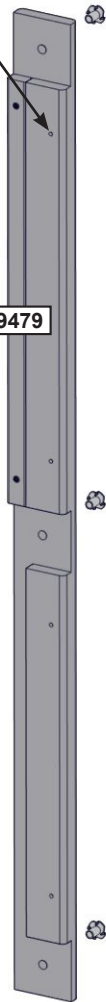


Assemble T-Nuts first with hammer!  
Note hole orientation.



9478

TN2 X 3



9479

TN2 X 3

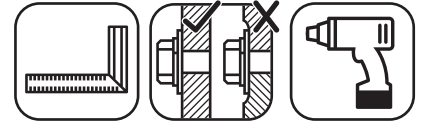
**Wood Parts**

- 1 x 9478 31.8 mm x 76.2 mm x 1212.9 mm (1 1/4" x 3" x 47 3/4")
- 1 x 9479 31.8 mm x 76.2 mm x 1212.9 mm (1 1/4" x 3" x 47 3/4")

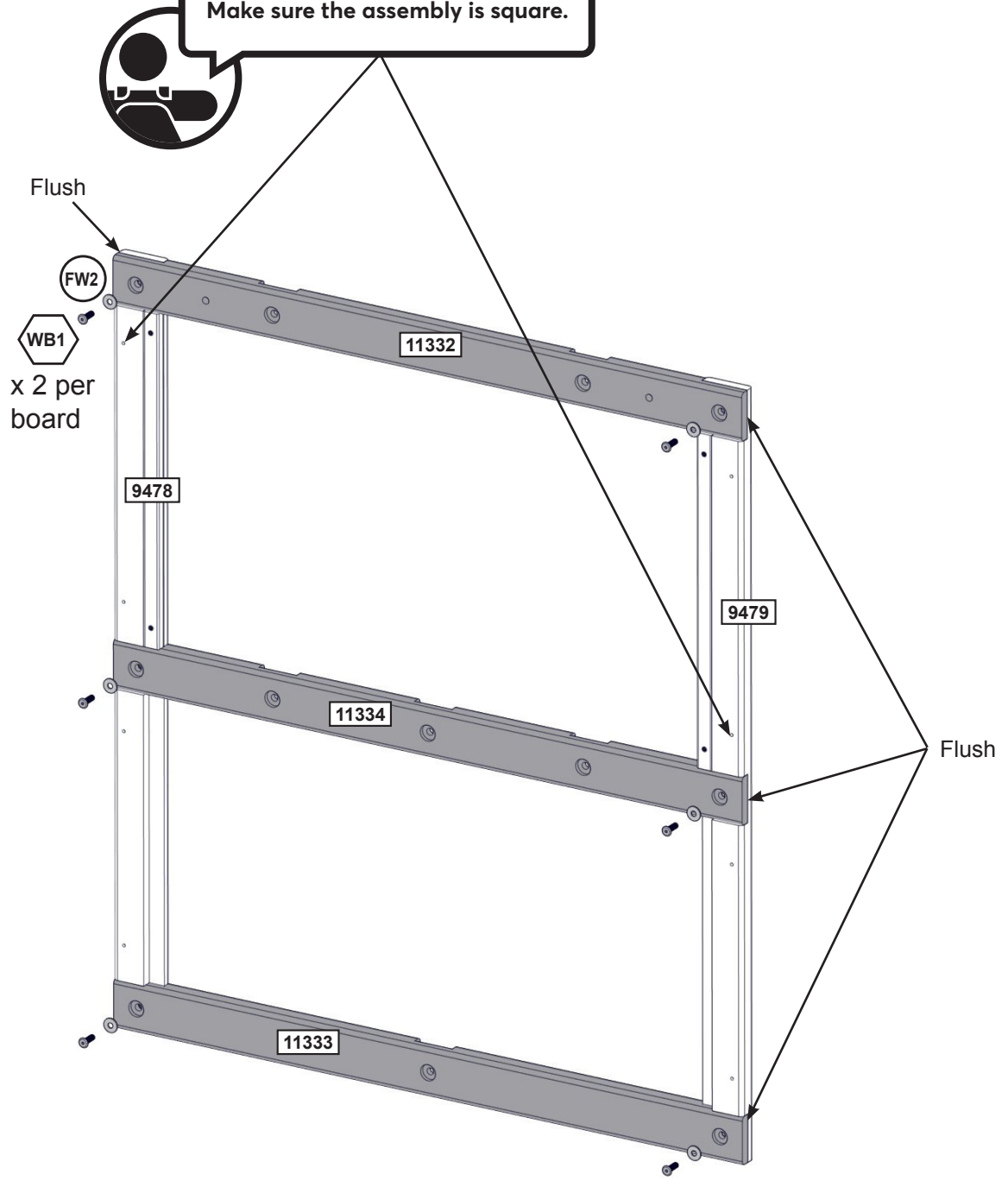
**Hardware**

- 6 x TN2





Note hole orientation  
Make sure the assembly is square.



**Wood Parts**

- 1 x 11332 31.8 mm x 76.2 mm x 1059.8 mm (1 1/4" x 3" x 41 3/4")
- 1 x 11333 31.8 mm x 76.2 mm x 1059.8 mm (1 1/4" x 3" x 41 3/4")
- 1 x 11334 31.8 mm x 76.2 mm x 1059.8 mm (1 1/4" x 3" x 41 3/4")

**Hardware**

- 6 x WB1 7.9 x 25.4 mm (5/16 x 1") (FW2)



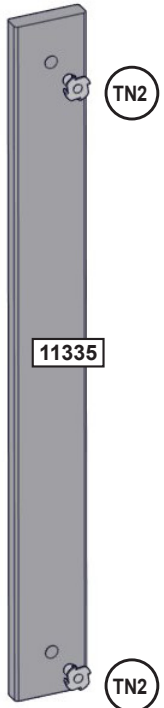
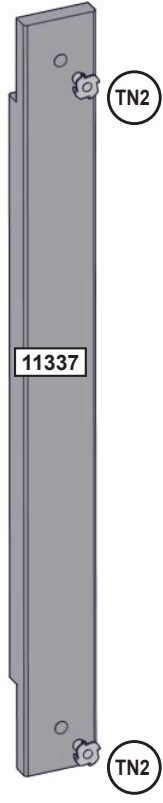
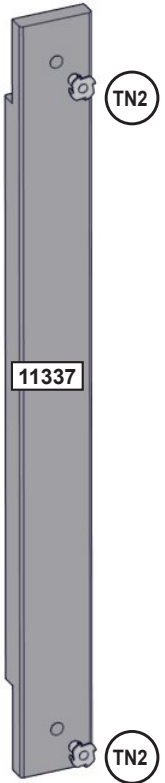
parts.kidkraft.com

customerservice@kidkraft.com  
1.800.933.0771  
972.385.0100



8

Hammer T-Nut into the hole.



**Wood Parts**

- 1 x 11335 15.9 mm x 63.5 mm x 609.6 mm (5/8" x 2 1/2" x 24")
- 2 x 11337 31.8 mm x 63.5 mm x 679 mm (1 1/4" x 2 1/2" x 26 3/4")

**Hardware**

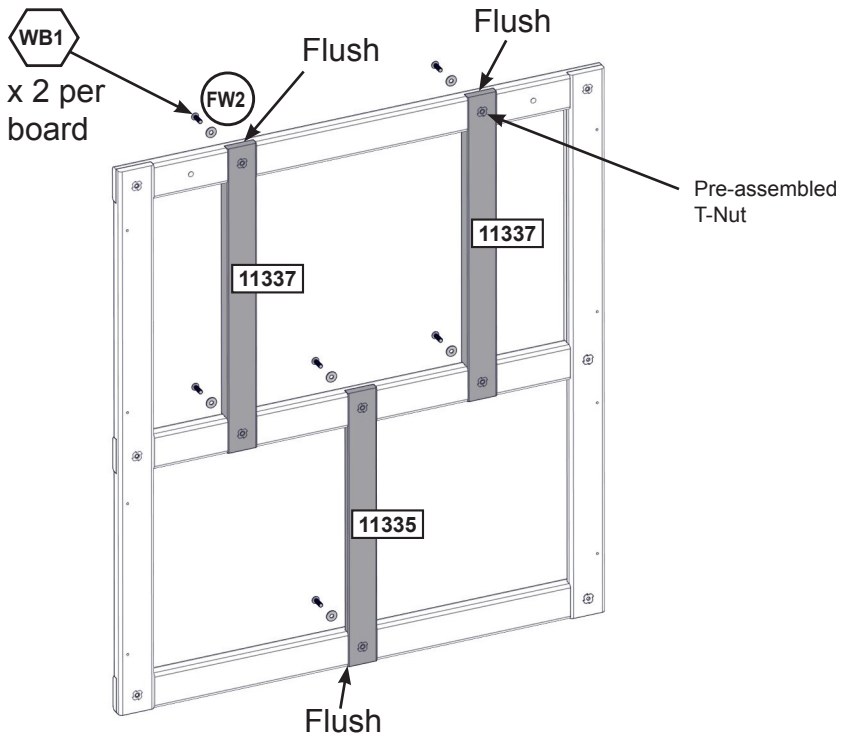
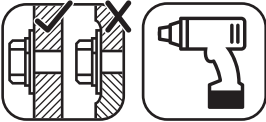
- 6 x TN2

europecustomerservice@kidkraft.com  
 +31 20 305 8620  
 M-F from 09:00 to 17:30 (GMT+1)

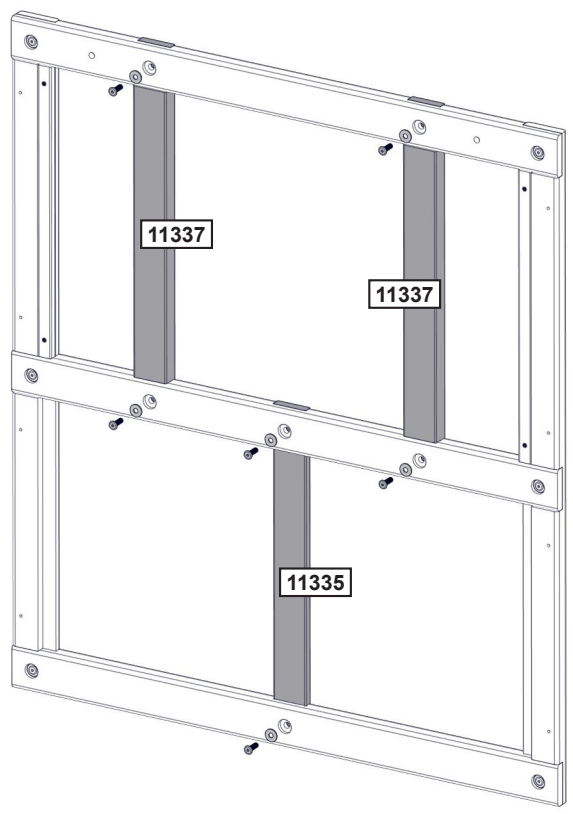
parts.kidkraft.eu



9



Interior View



Exterior View

**Hardware**

6 x WB1 7.9 x 25.4 mm (5/16 x 1") (FW2)



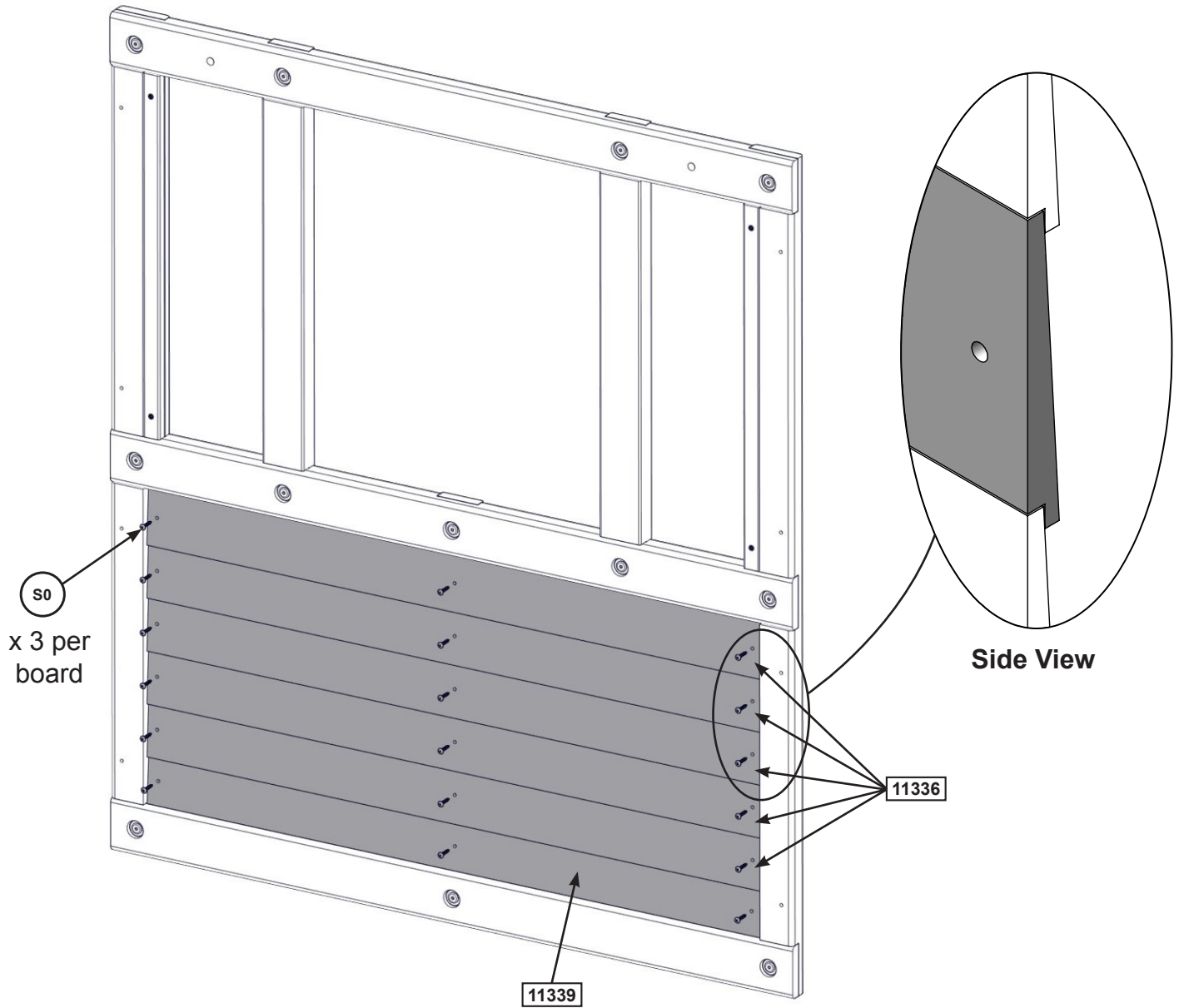
parts.kidkraft.com

customerservice@kidkraft.com  
1.800.933.0771  
972.385.0100

10



Evenly space the boards.



**Wood Parts**

- 5 x 11336 11.9 mm x 82.6 mm x 954 mm (7/16" x 3 1/4" x 37 9/16")
- 1 x 11339 11.9 mm x 69.9 mm x 954 mm (7/16" x 2 3/4" x 37 9/16")

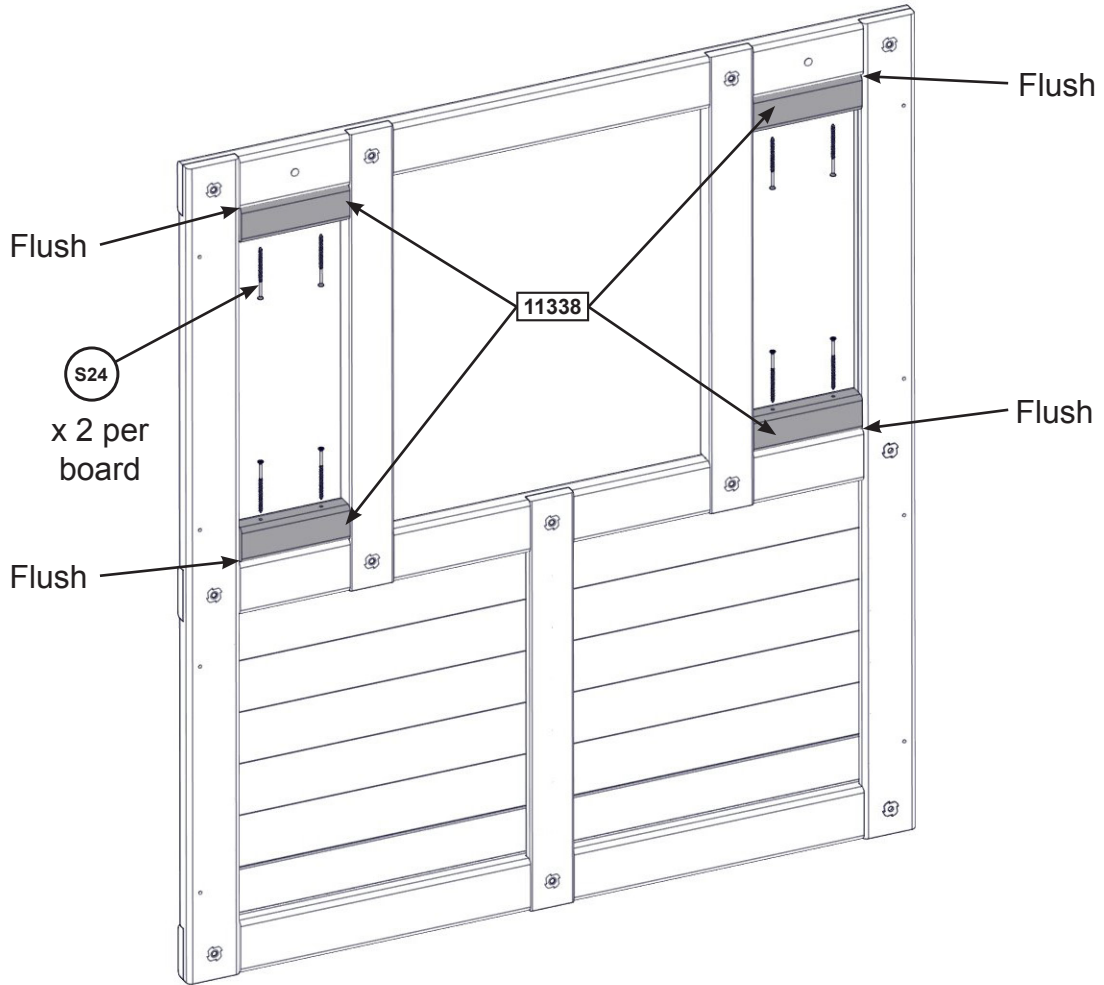
**Hardware**

- 18 x S0 #8 x 22.2 mm (#8 x 7/8")

europecustomerservice@kidkraft.com  
 +31 20 305 8620  
 M-F from 09:00 to 17:30 (GMT+1)

parts.kidkraft.eu





**Wood Parts**

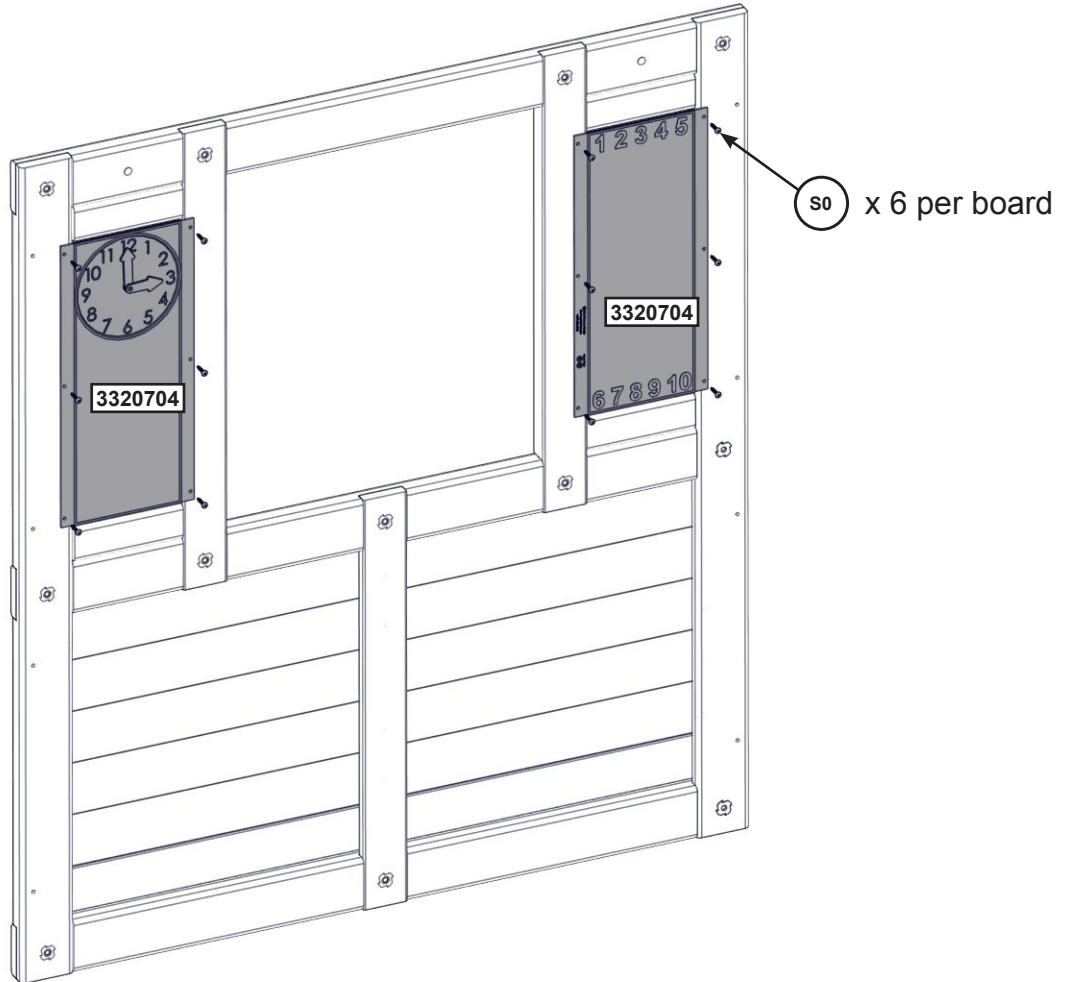
4 x **11338** 31.8 mm x 57.2 mm x 158 mm (1 1/4" x 2 1/4" x 6 1/4")

**Hardware**

8 x **S24** #10 x 101.6mm (#10 x 4")




Center in the opening



**Hardware**

12 x  #8 x 22.2 mm (#8 x 7/8")

**Other Parts**

2 x 

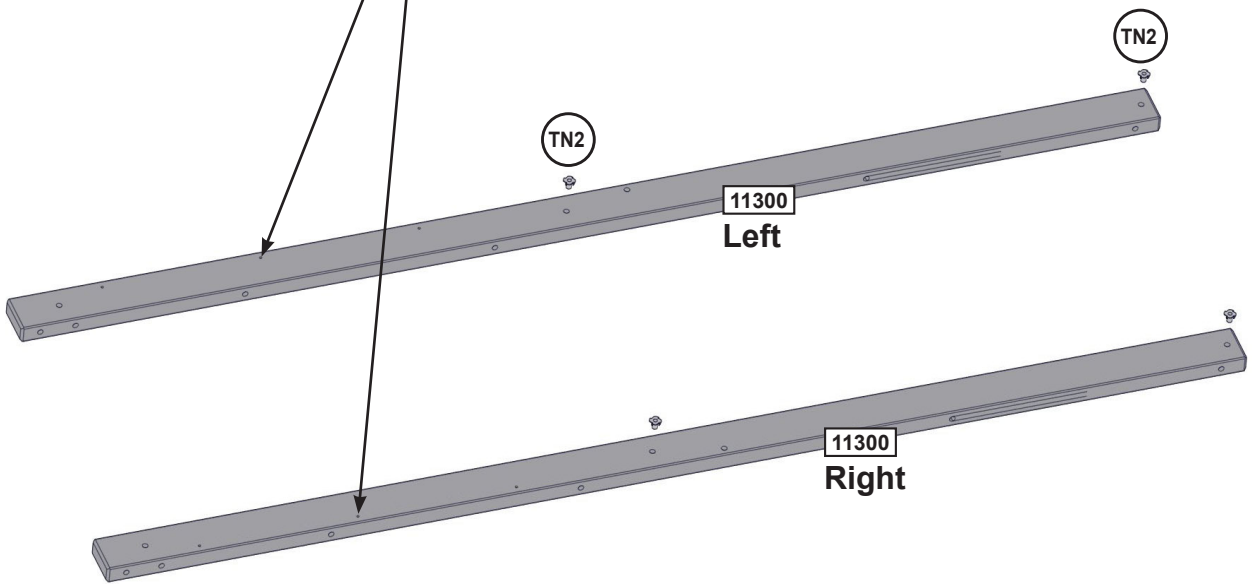


13

# Middle Tower



Hammer T-Nut into the hole.  
Complete this step twice.  
Note hole orientation.



### Wood Parts

4 x **11300** 34.9 mm x 85.7 mm x 2260.6 mm (1 3/8" x 3 3/8" x 89")

### Hardware

8 x **TN2**



parts.kidkraft.com

customerservice@kidkraft.com  
1.800.933.0771  
972.385.0100



Hammer T-Nut into the hole.  
Complete this step twice.  
Note hole orientation.



11300

Left



11300

Right

Pre-assembled T-Nuts are on the back.



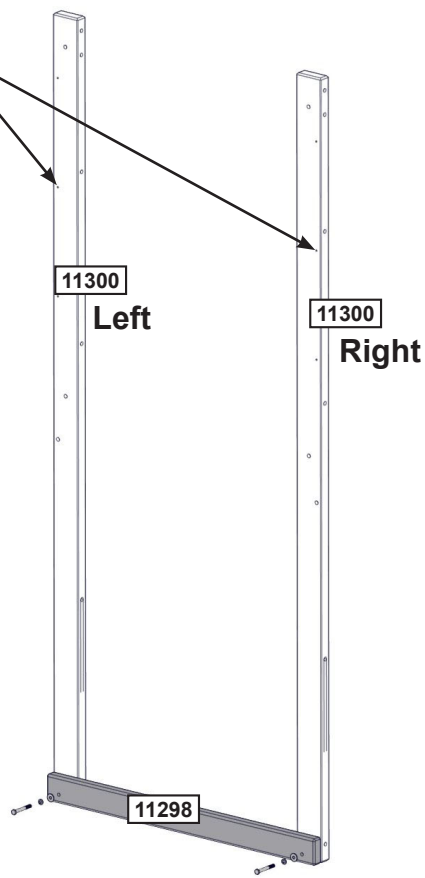
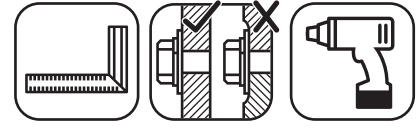
**Hardware**

4 x

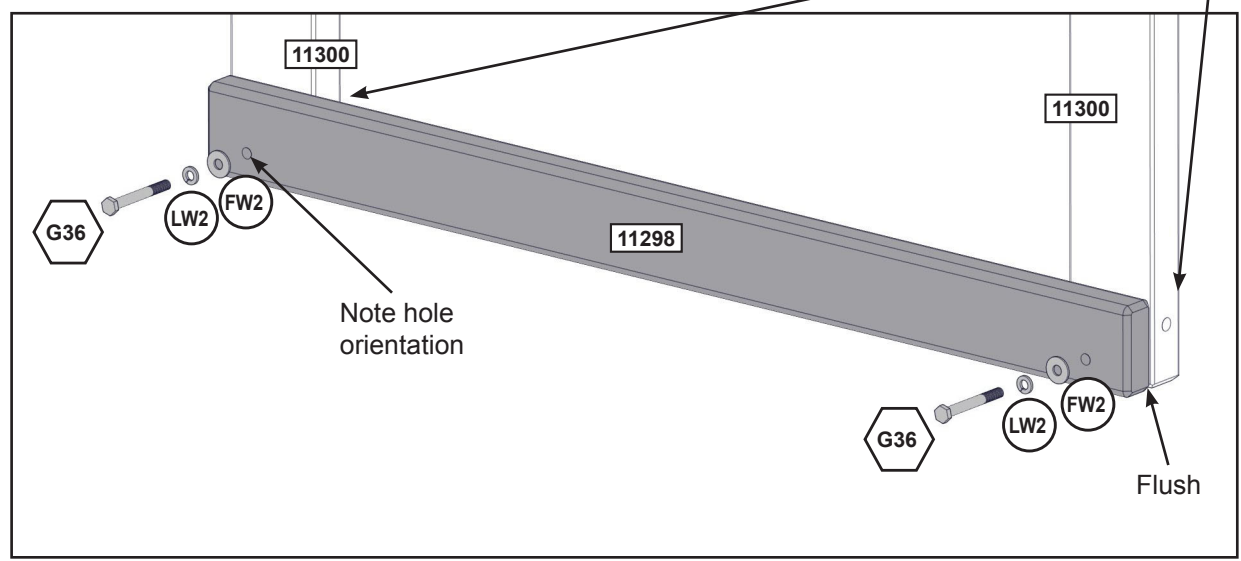


15

Complete this step twice.  
Note hole orientation.  
Make sure the assembly is square.



Pre-assembled T-Nuts are on the back.



**Wood Parts**

2 x **11298** 31.8 mm x 76.2 mm x 939.8 mm (1 1/4" x 3" x 37")

**Hardware**

4 x **G36** 7.9 x 69.9 mm (5/16" x 2-3/4") (LW2, FW2)



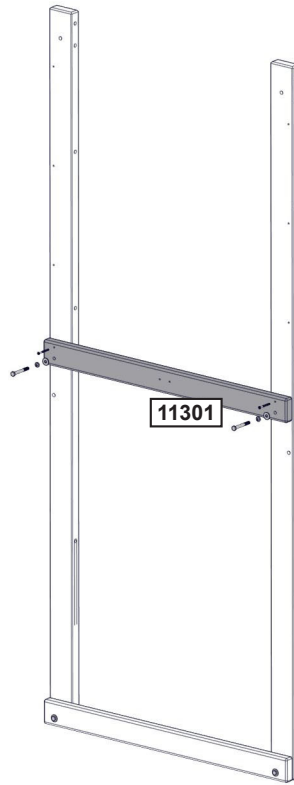
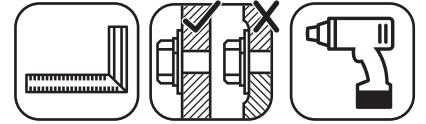
parts.kidkraft.com

customerservice@kidkraft.com  
1.800.933.0771  
972.385.0100

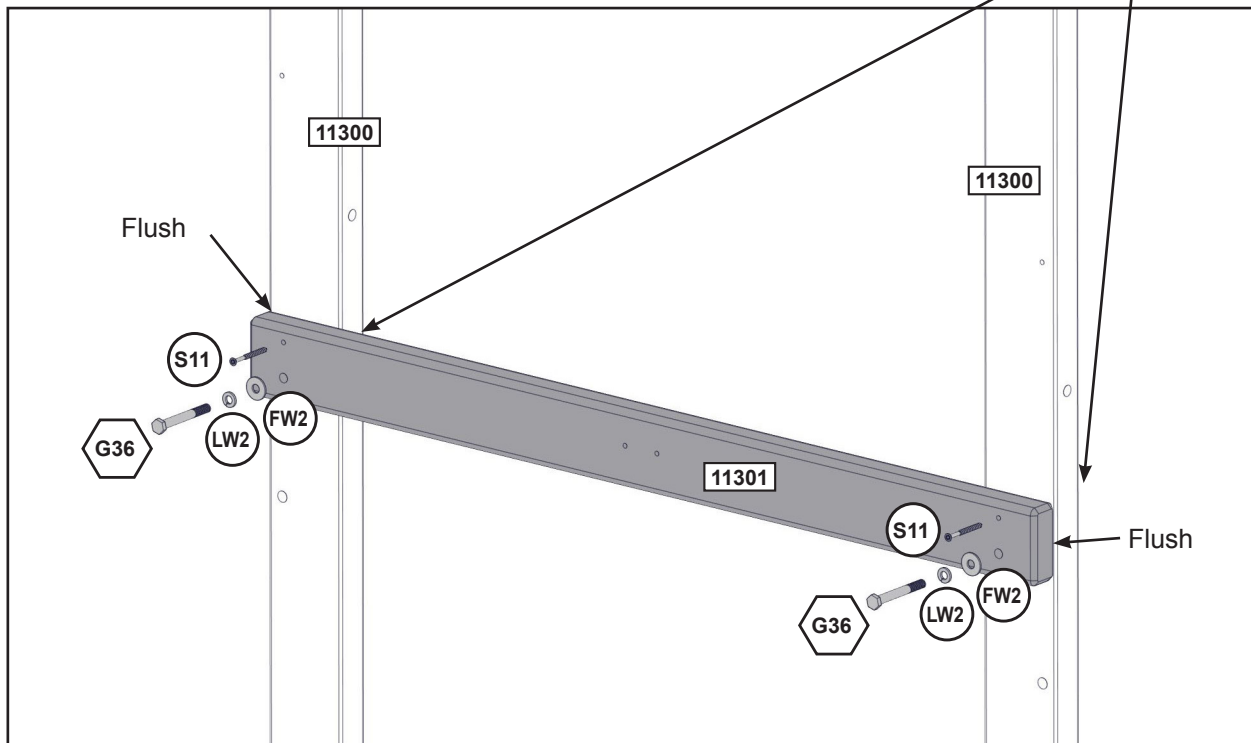


16

Complete this step twice.  
Make sure the assembly is square.



Pre-assembled T-Nuts are on the back.



**Wood Parts**

2 x **11301** 31.8 mm x 76.2 mm x 939.8 mm (1 1/4" x 3" x 37")

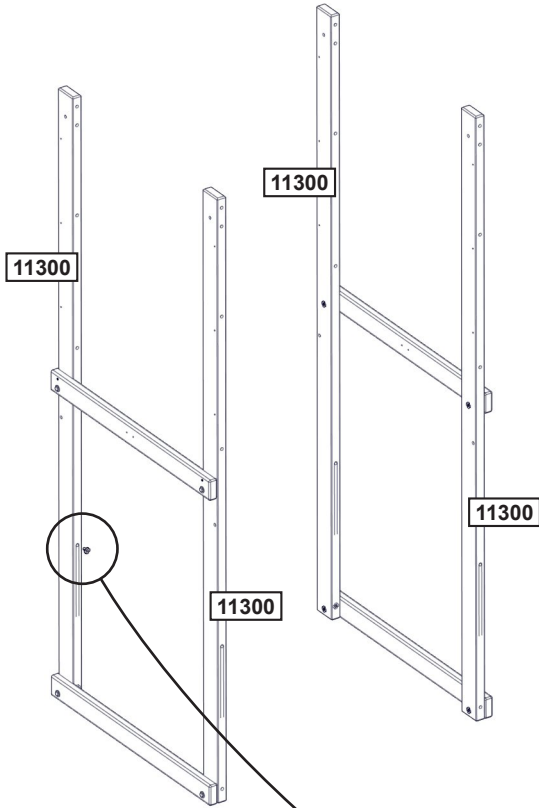
**Hardware**

4 x **G36** 7.9 x 69.9 mm (5/16" x 2-3/4") (LW2, FW2)

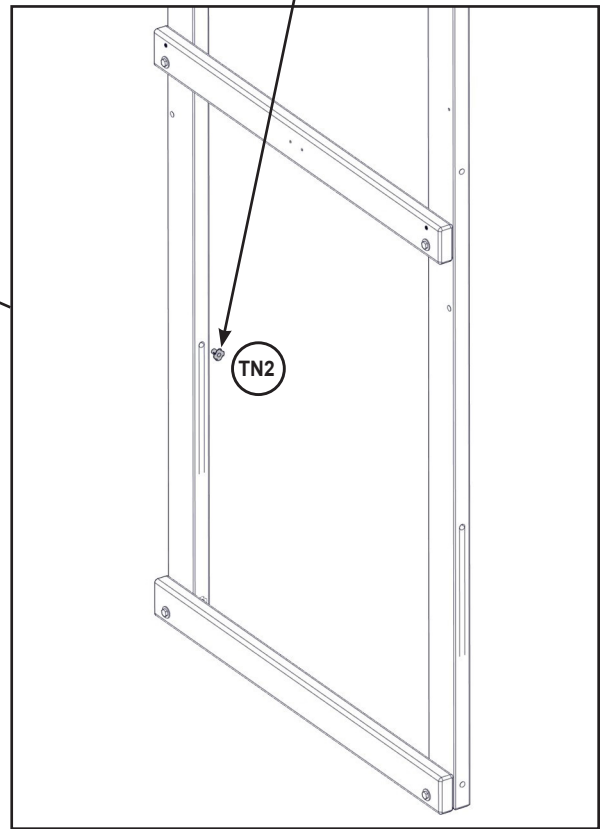
4 x **S11** #8 x 50.8 mm (#8 x 2")



17



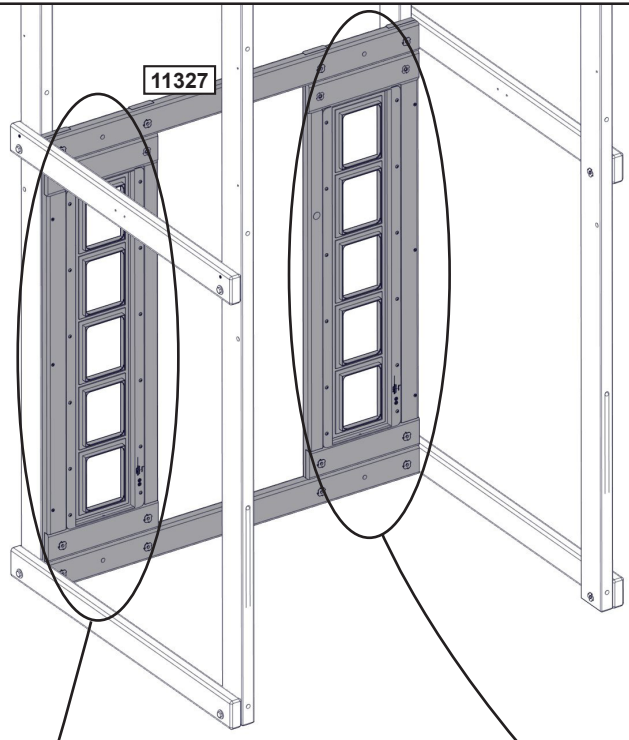
Hammer T-Nut into the hole.  
It is used later in Step 61.



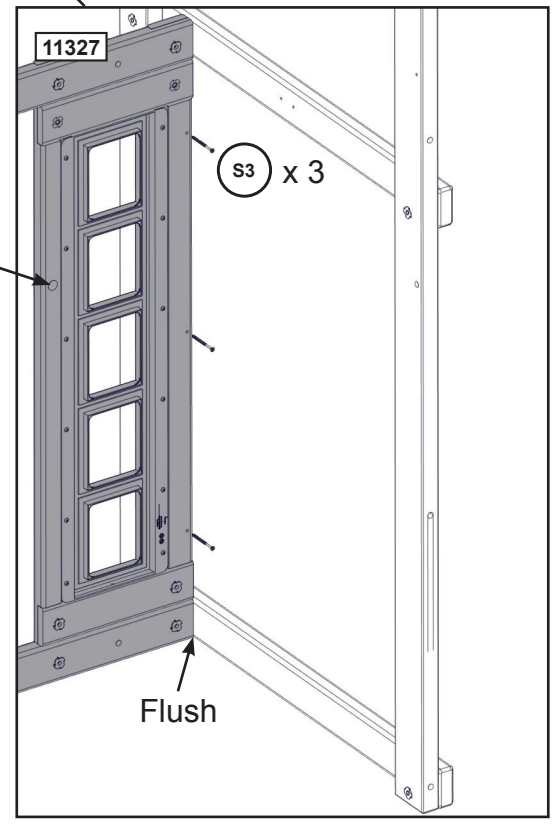
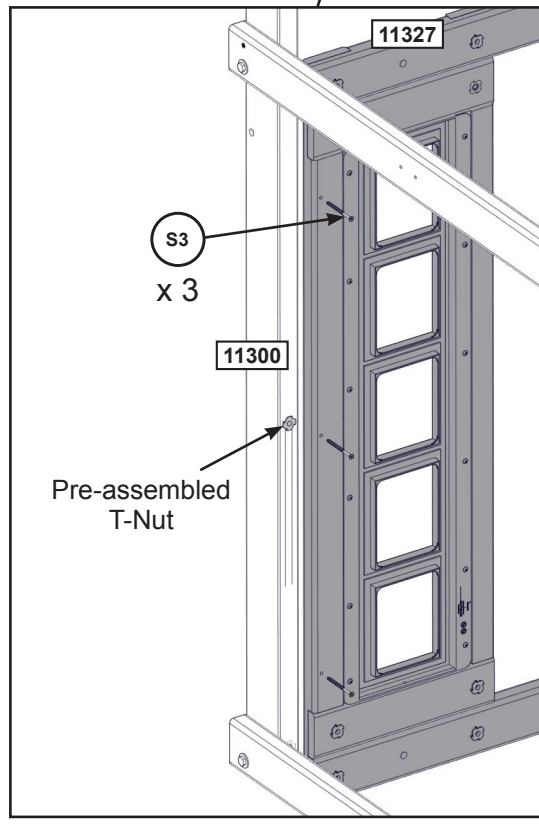
**Hardware**

1 x 

18



Make sure assembly is square.



**Hardware**

6 x S3 #8 x 63.5 mm (#8 x 2-1/2")

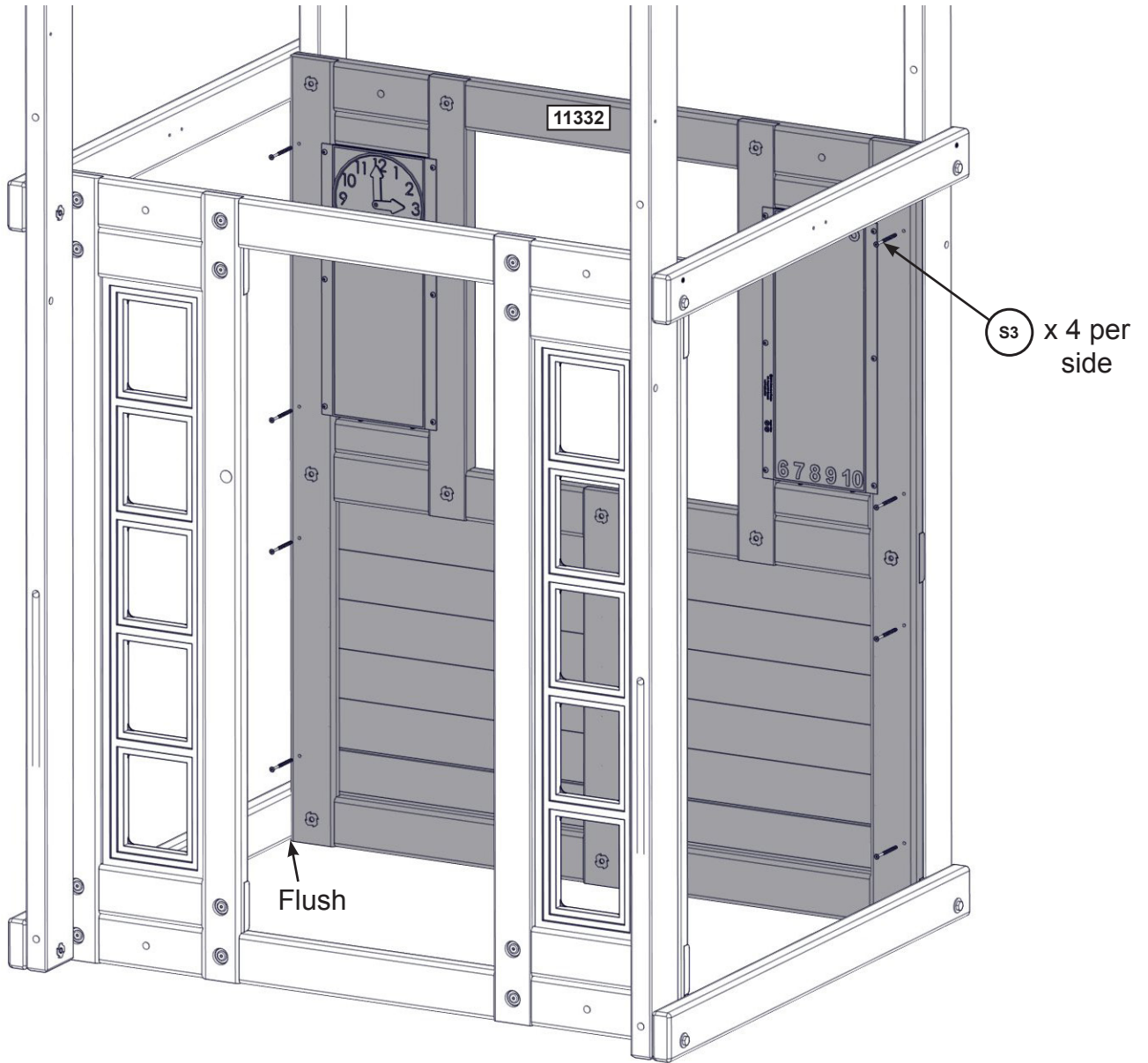
europecustomerservice@kidkraft.com  
 +31 20 305 8620  
 M-F from 09:00 to 17:30 (GMT+1)

parts.kidkraft.eu



19

Make sure assembly is square.



**Hardware**

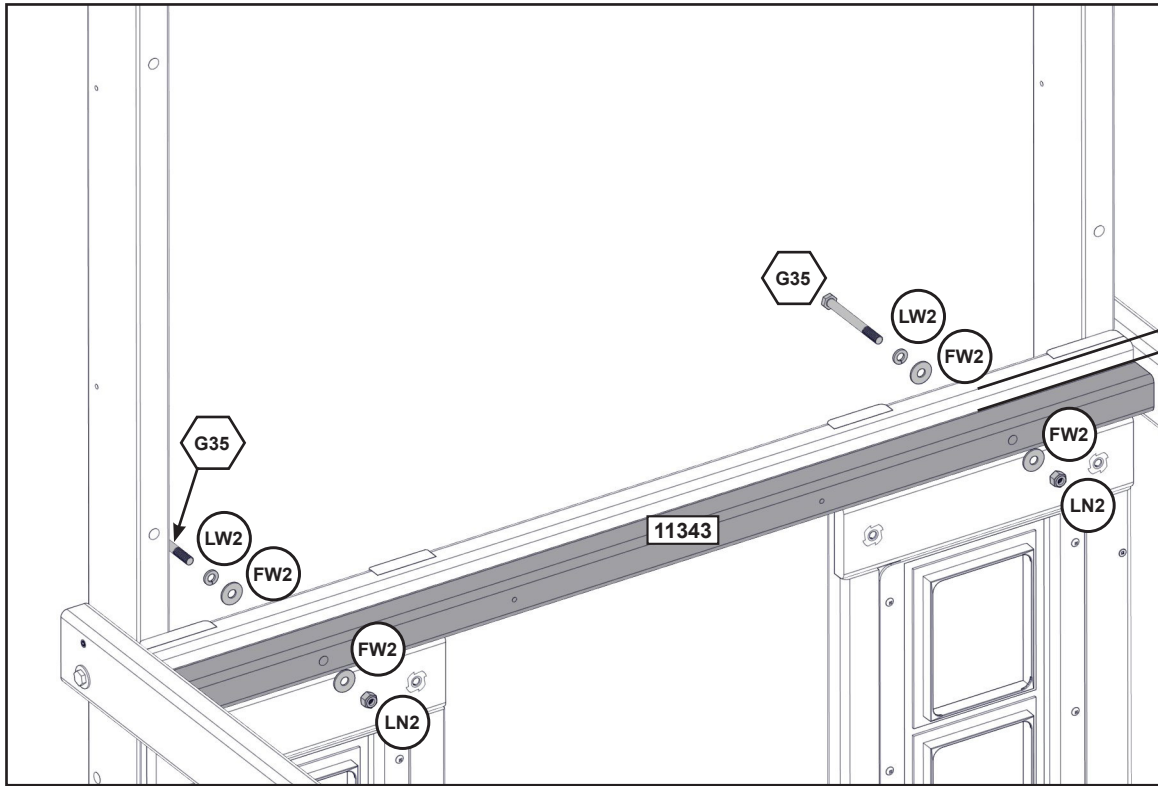
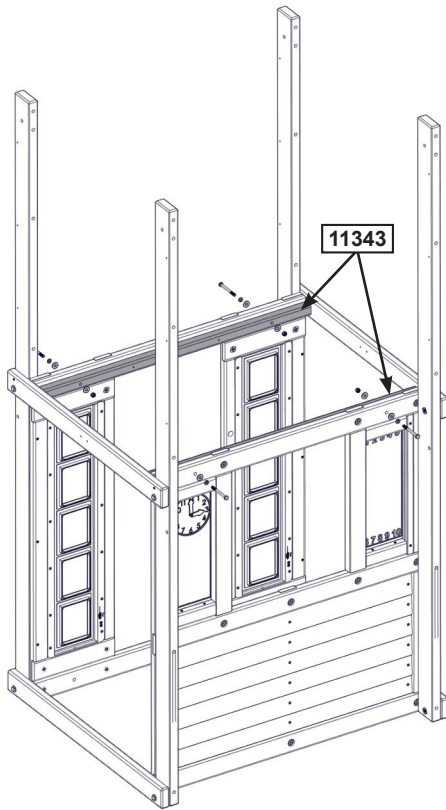
8 x **s3** #8 x 63.5 mm (#8 x 2-1/2")



parts.kidkraft.com

customerservice@kidkraft.com  
1.800.933.0771  
972.385.0100

20



**Wood Parts**

2 x **11343** 38.1 mm x 38.1 mm x 1053.8 mm (1 1/2" x 1 1/2" x 41 1/2")

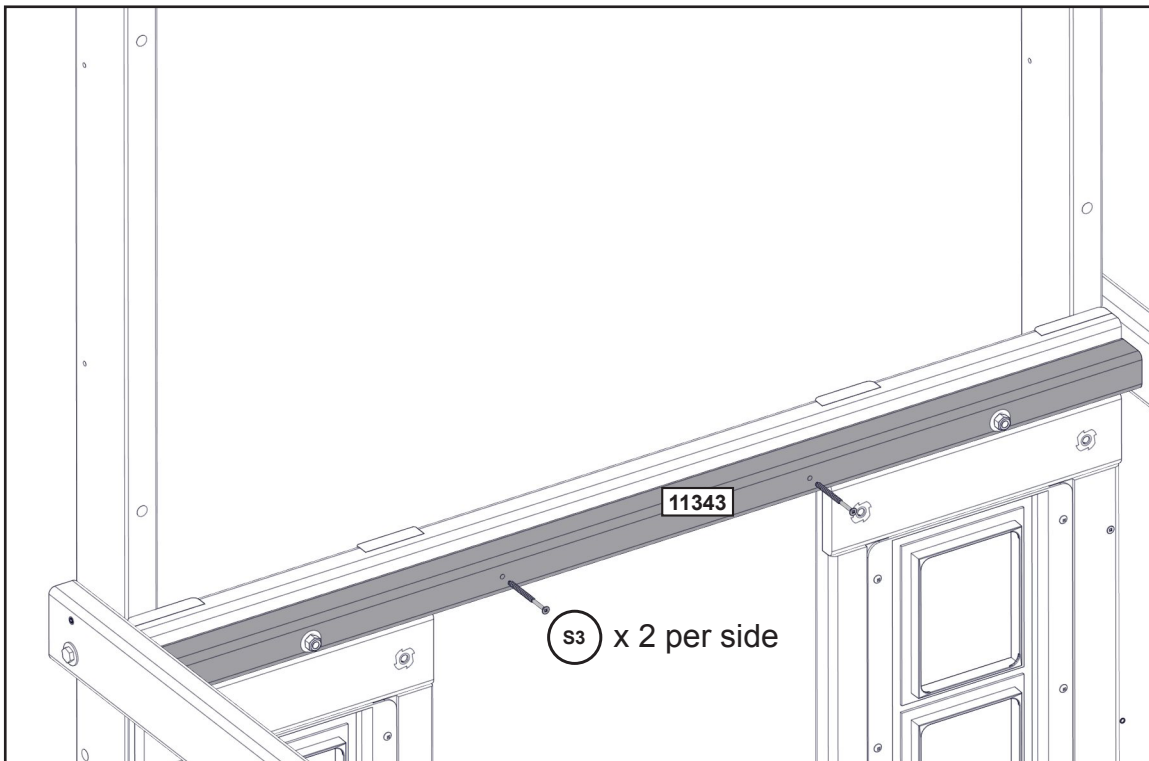
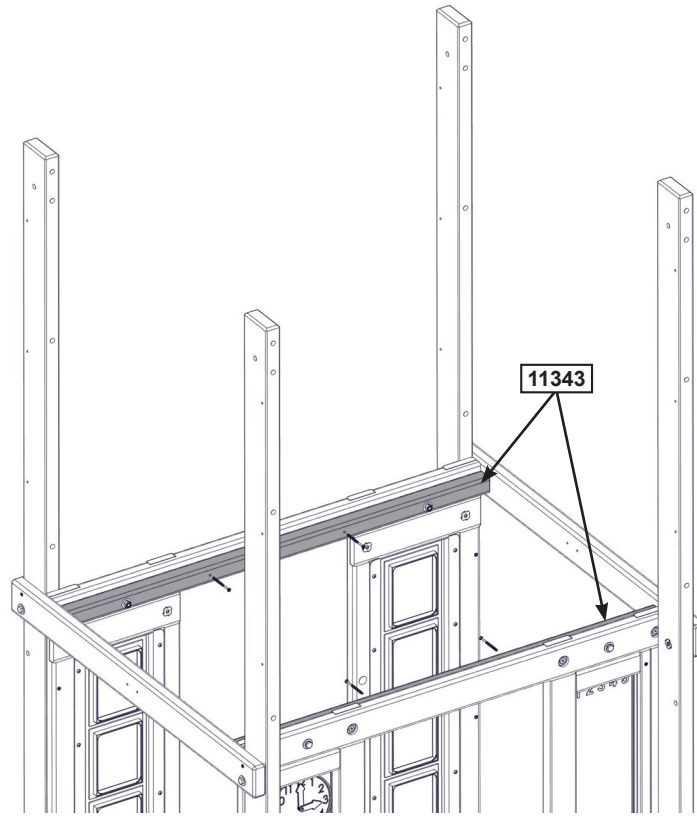
**Hardware**

4 x **G35** 7.9 x 82.6 mm (5/16 x 3-1/4") (LW2, FW2 x 2, LN2)

europecustomerservice@kidkraft.com  
 +31 20 305 8620  
 M-F from 09:00 to 17:30 (GMT+1)

parts.kidkraft.eu





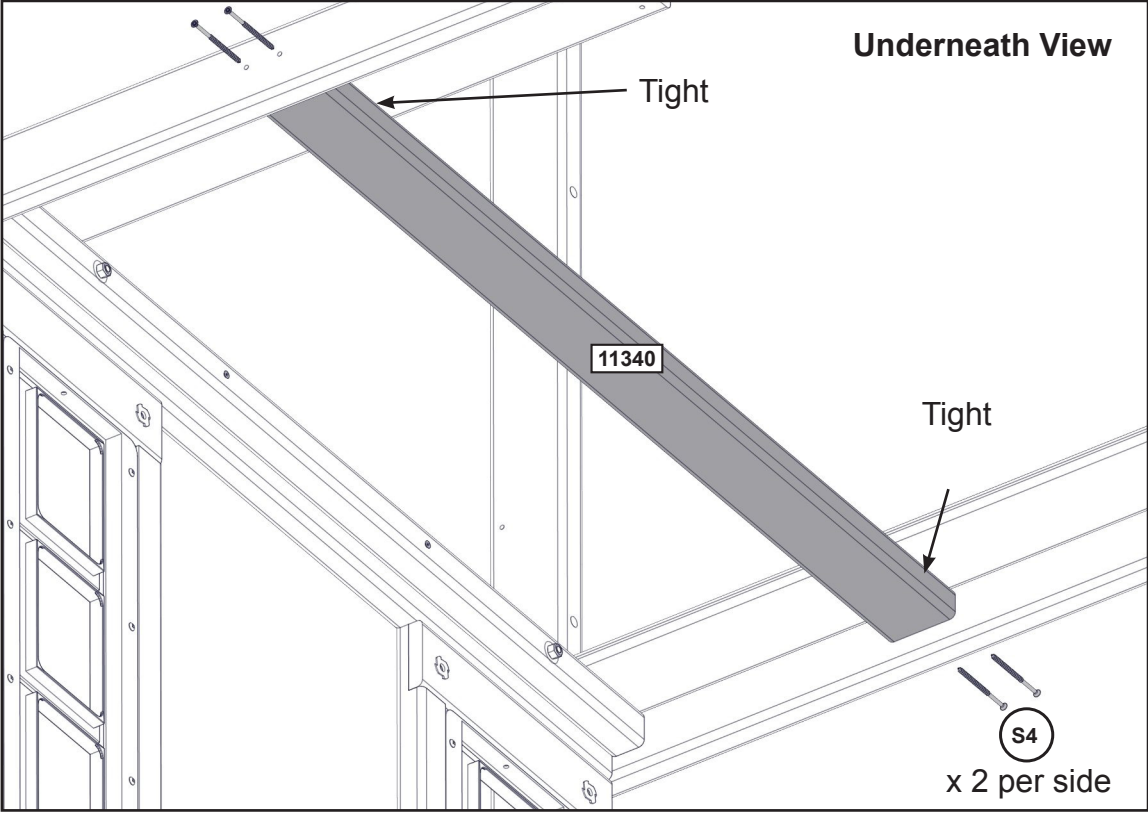
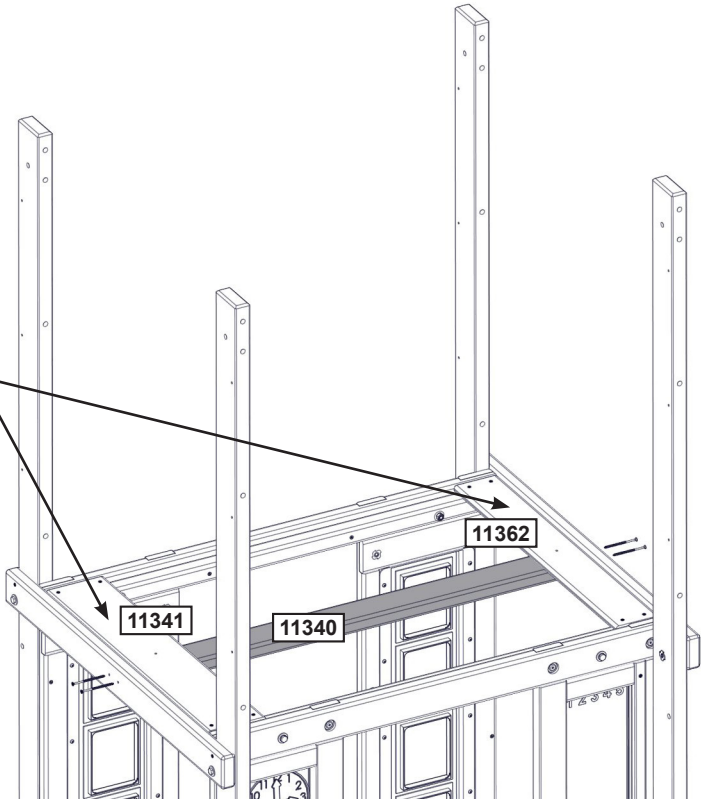
**Hardware**

4 x **s3** #8 x 63.5 mm (#8 x 2-1/2")



Do not attach, use for alignment only.

Note: Structure partly removed for clarity.



**Wood Parts**

- 1 x 11340 31.8 mm x 76.2 mm x 1059.8 mm (1 1/4" x 3" x 41 3/4")
- 1 x 11341 15.9 mm x 136.5 mm x 700.8 mm (5/8" x 5 3/8" x 27 9/16")
- 1 x 11362 15.9 mm x 101.6 mm x 700.8 mm (5/8" x 4" x 27 9/16")

**Hardware**

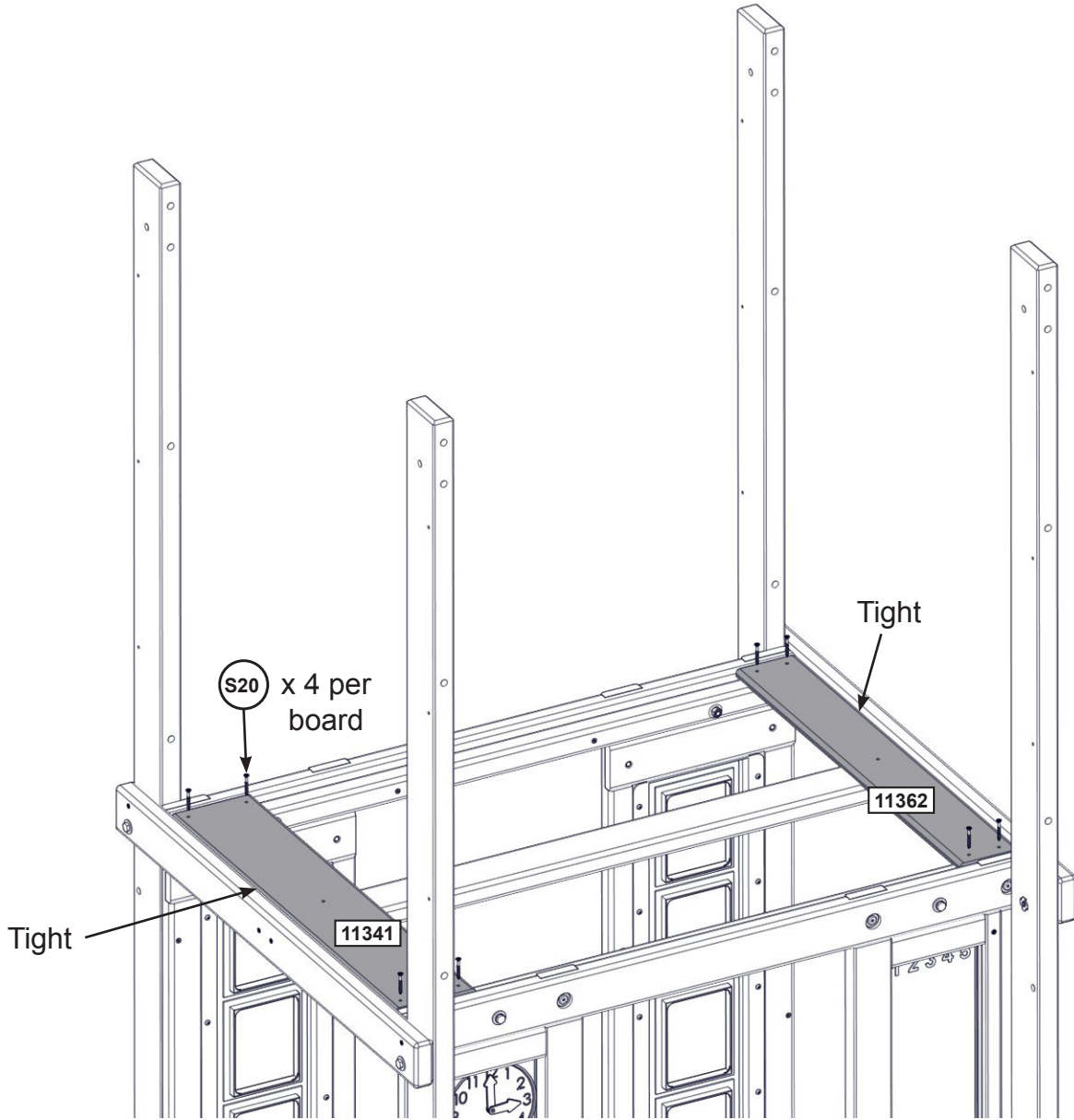
- 4 x S4 #8 x 76.2 mm (#8 x 3")

europecustomerservice@kidkraft.com  
+31 20 305 8620  
M-F from 09:00 to 17:30 (GMT+1)

parts.kidkraft.eu







**Note: Structure partly removed for clarity.**

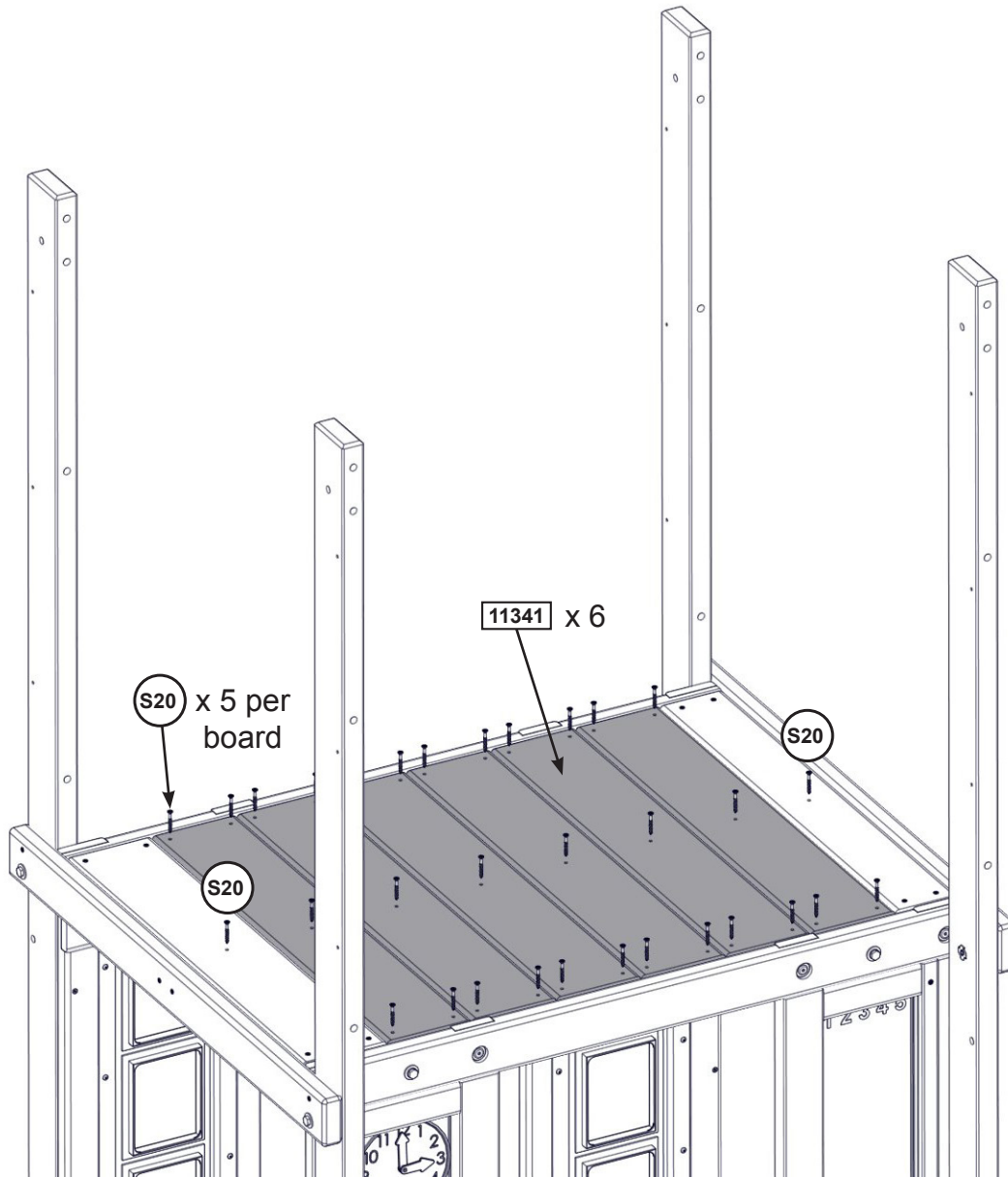
**Hardware**

8 x (S20) #8 x 34.9 mm (#8 x 1-3/8")



Evenly space the boards.

Note: Structure partly removed for clarity.



**Wood Parts**

6 x **11341** 15.9 mm x 136.5 mm x 700.8 mm (5/8" x 5 3/8" x 27 9/16")

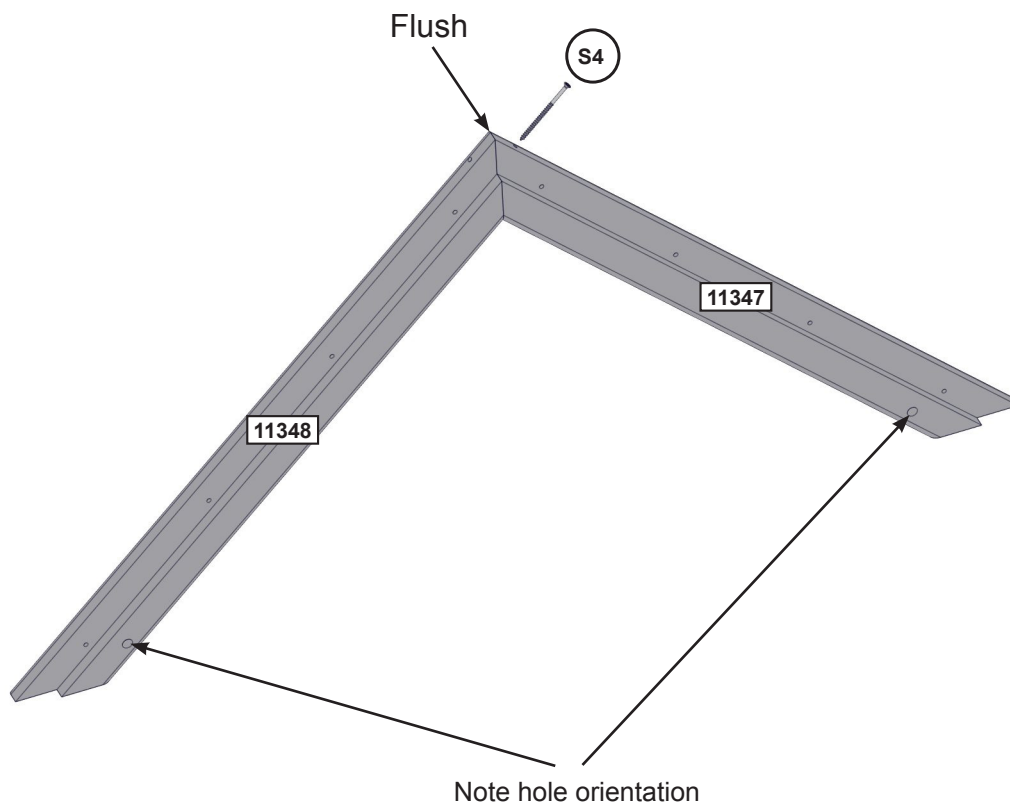
**Hardware**

32 x **S20** #8 x 34.9 mm (#8 x 1-3/8")





Complete this step twice.

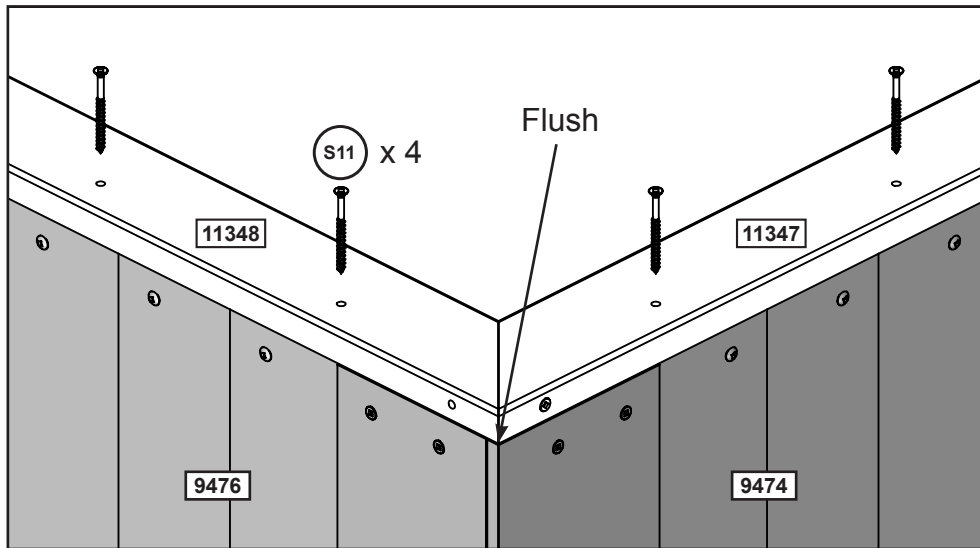
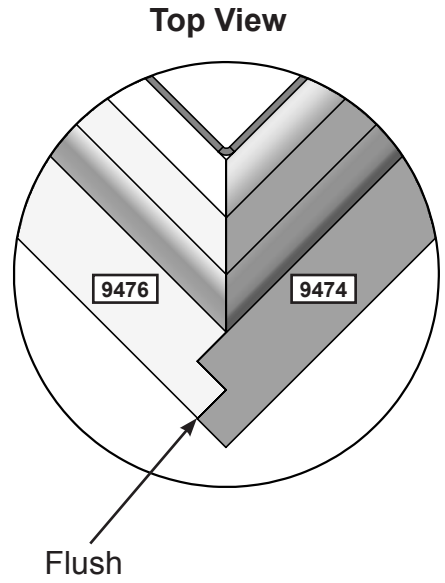
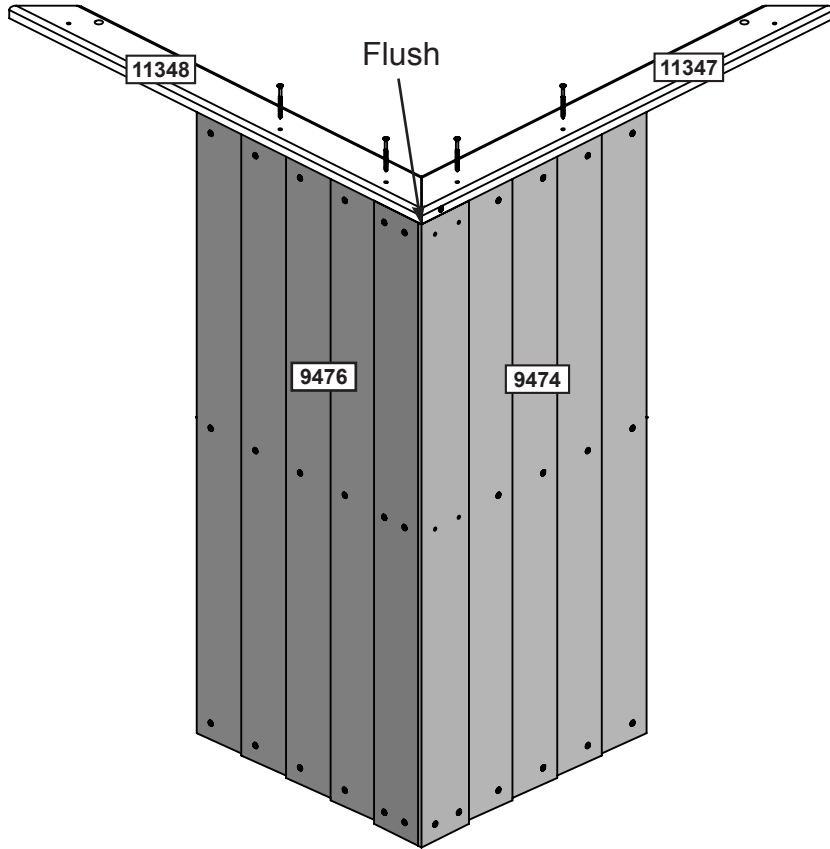


**Wood Parts**

- 2 x 11347 31.8 mm x 69.9 mm x 771.5 mm (1 1/4" x 2 3/4" x 30 3/8")
- 2 x 11348 31.8 mm x 69.9 mm x 771.5 mm (1 1/4" x 2 3/4" x 30 3/8")

**Hardware**

- 2 x S4 #8 x 76.2 mm (#8 x 3")



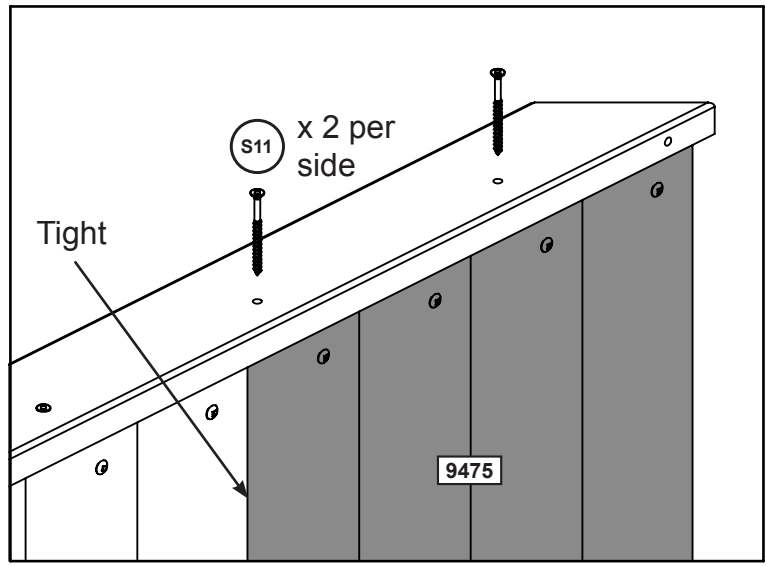
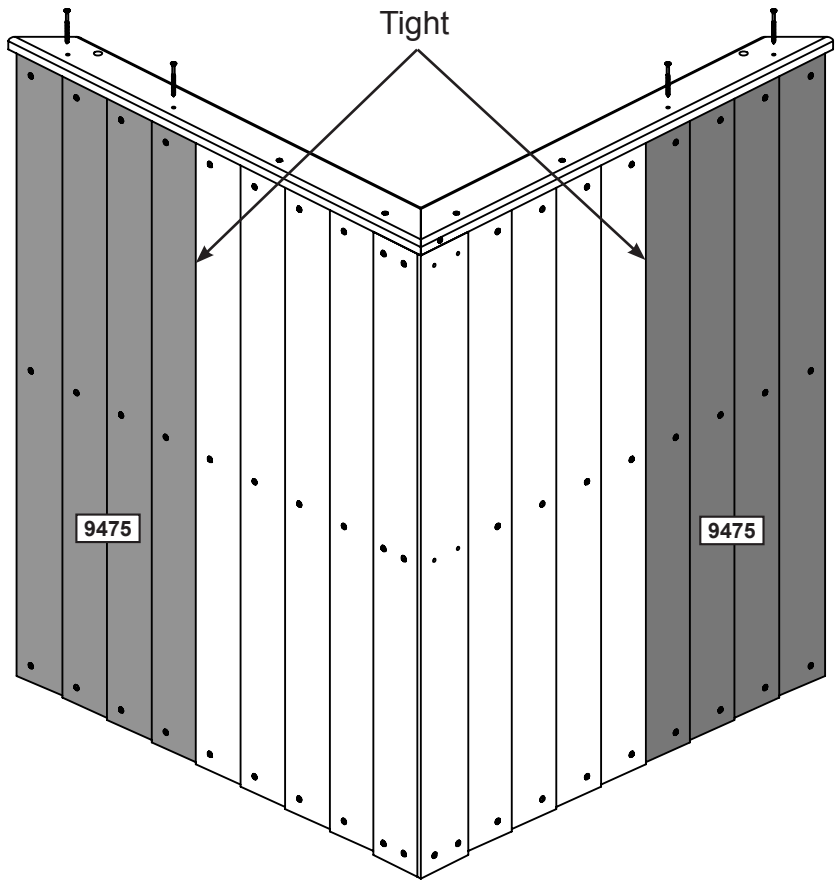
**Wood Parts**

- 1 x 9474 31.8 mm x 424.2 mm x 951.8 mm (1 1/4" x 16 11/16" x 37 1/2")
- 1 x 9476 31.8 mm x 417.9 mm x 951.8 mm (1 1/4" x 16 7/16" x 37 1/2")

**Hardware**

- 4 x S11 #8 x 50.8 mm (#8 x 2")





**Wood Parts**

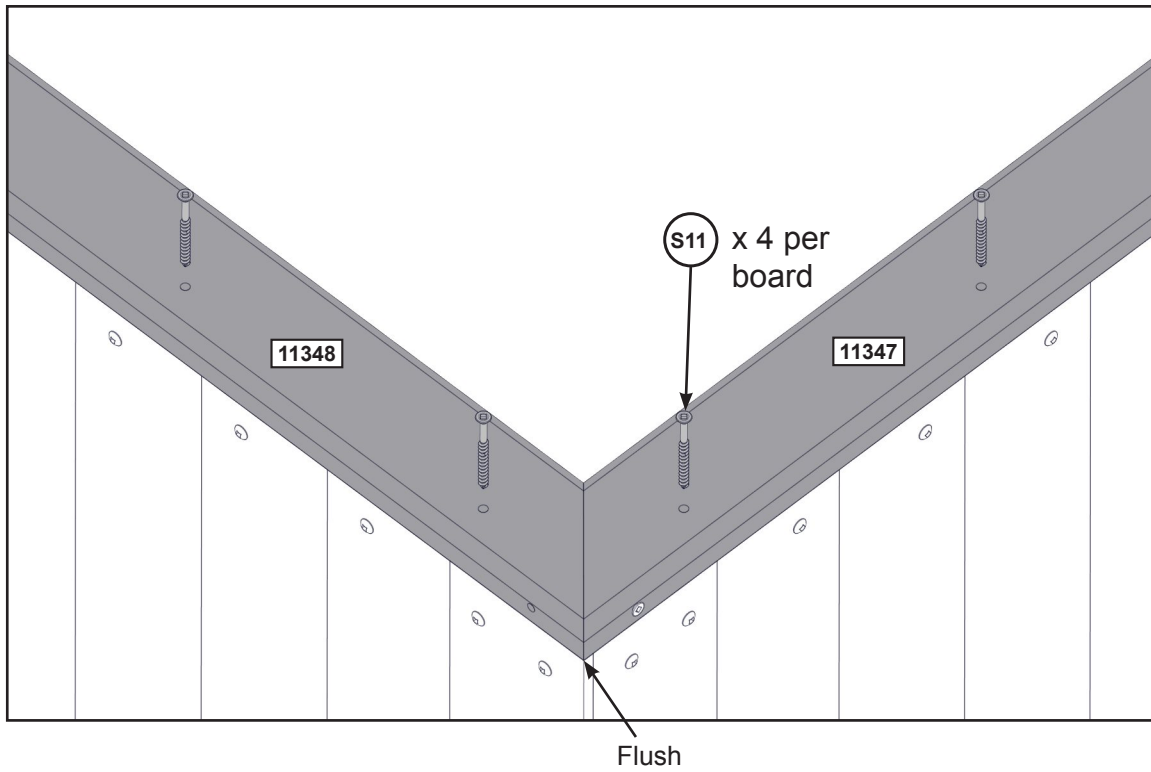
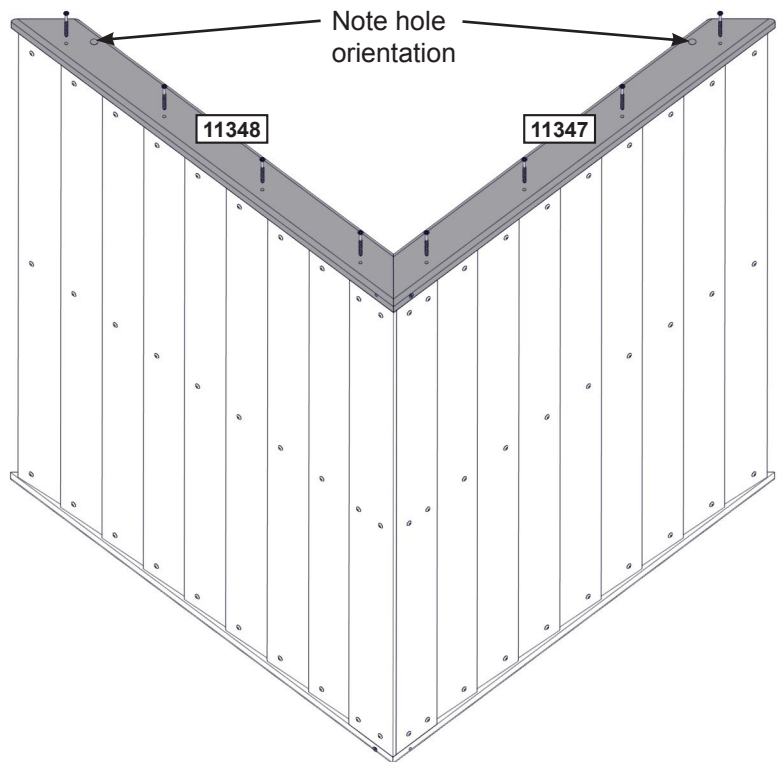
2 x **9475** 31.8 mm x 339.6 mm x 951.8 mm (1 1/4" x 13 3/8" x 37 1/2")

**Hardware**

4 x **S11** #8 x 50.8 mm (#8 x 2")

28

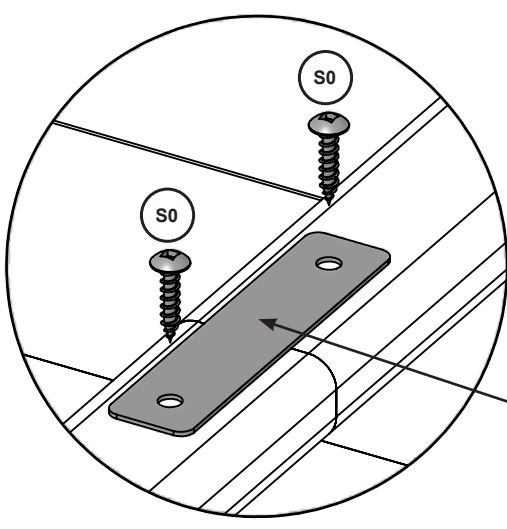
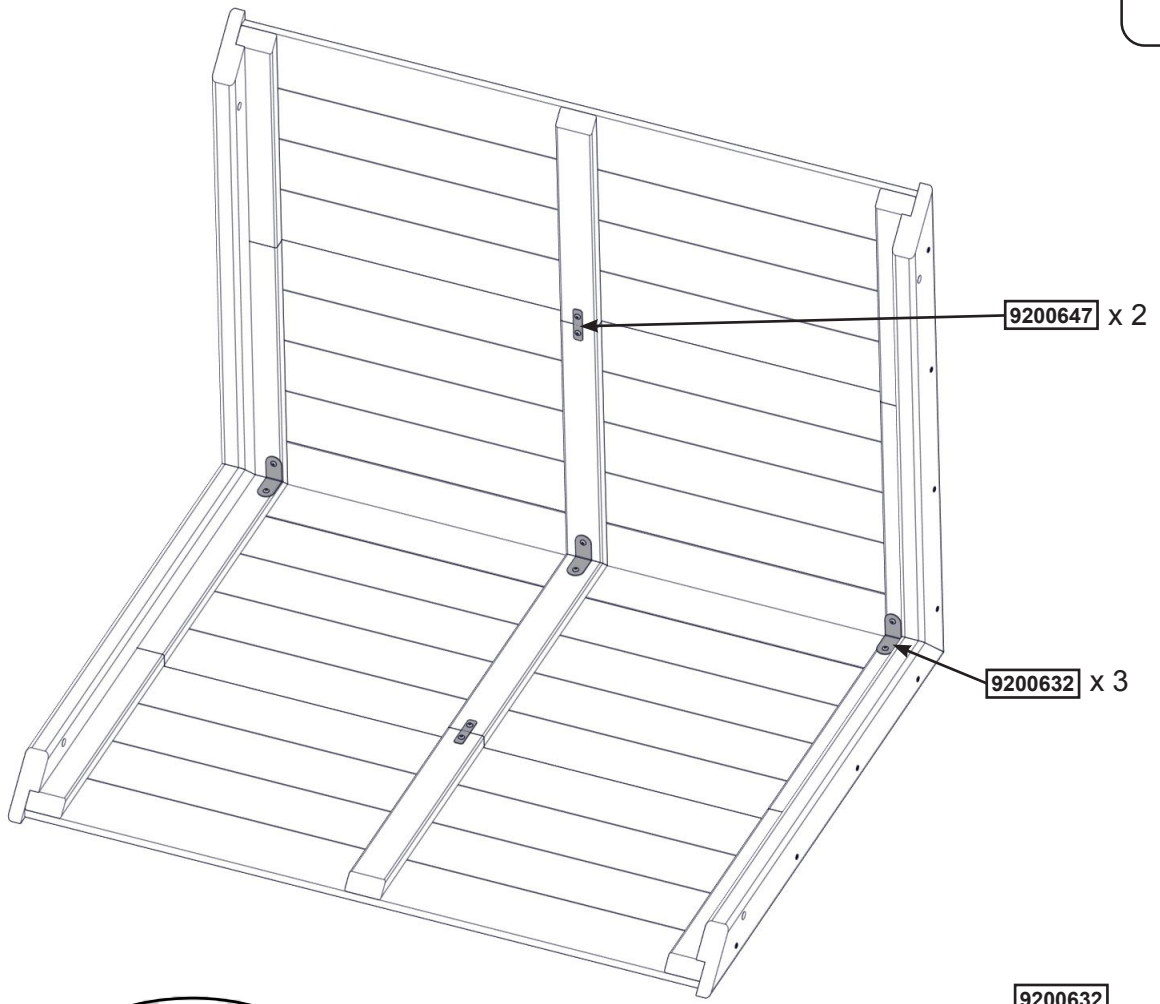
Carefully flip frame upside down.



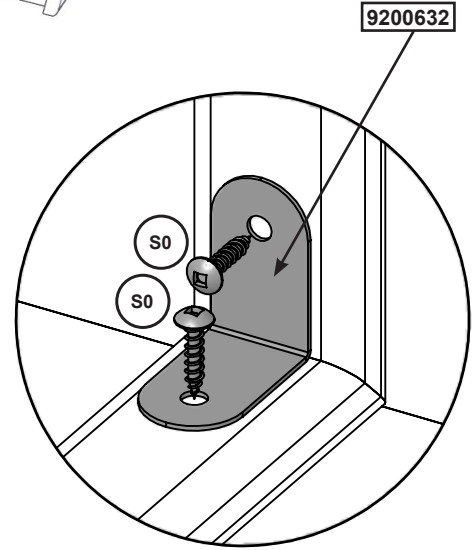
**Hardware**

8 x S11 #8 x 50.8 mm (#8 x 2")





9200647



9200632

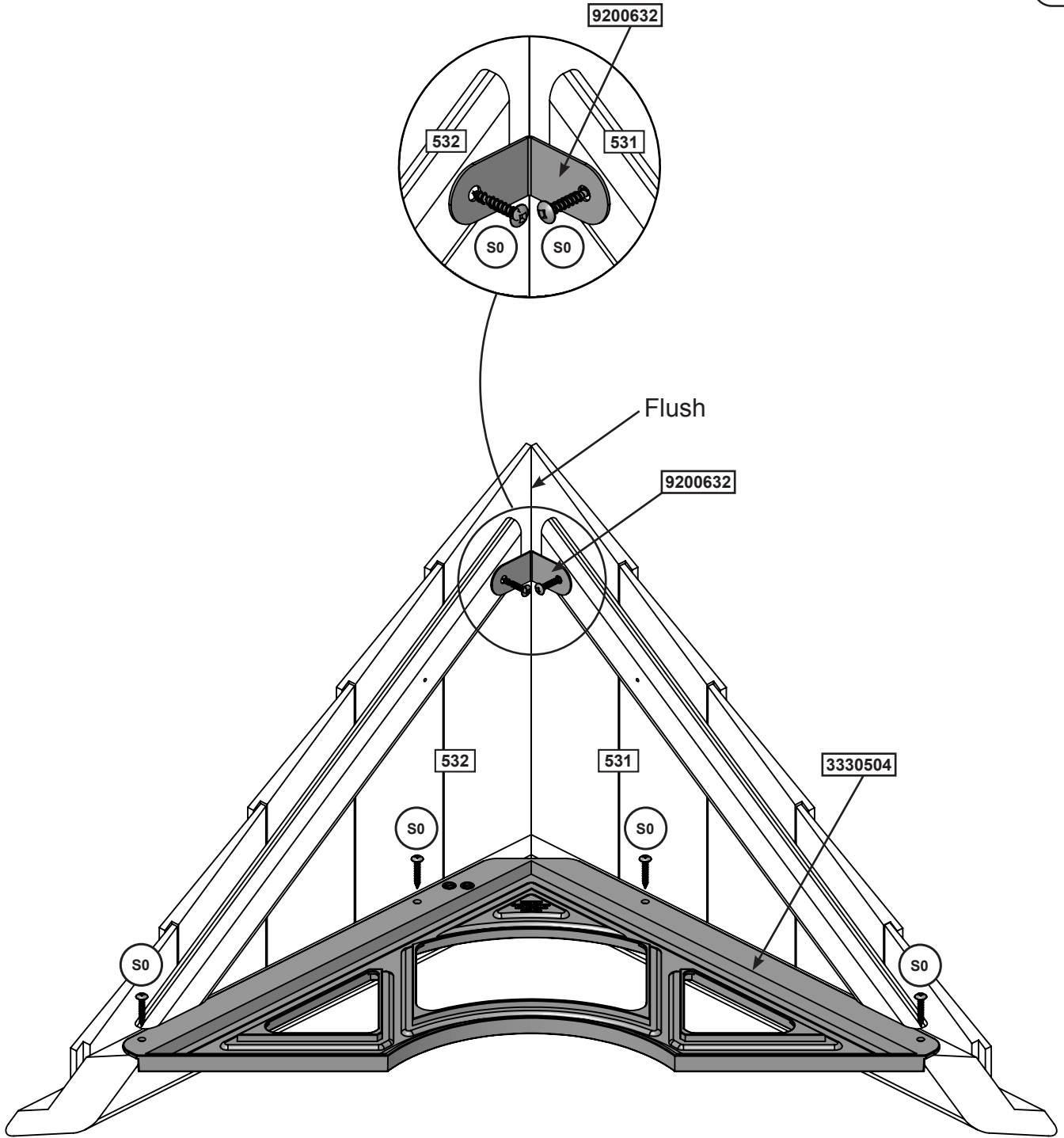
**Hardware**

10 x (S0) #8 x 22.2 mm (#8 x 7/8")

**Other Parts**

3 x 9200632

2 x 9200647



**Wood Parts**

- 1 x **531** 38.1 mm x 338.6 mm x 503 mm (1 1/2" x 13 5/16" x 19 13/16")
- 1 x **532** 38.1 mm x 338.6 mm x 503 mm (1 1/2" x 13 5/16" x 19 13/16")

**Hardware**

- 6 x **S0** #8 x 22.2 mm (#8 x 7/8")

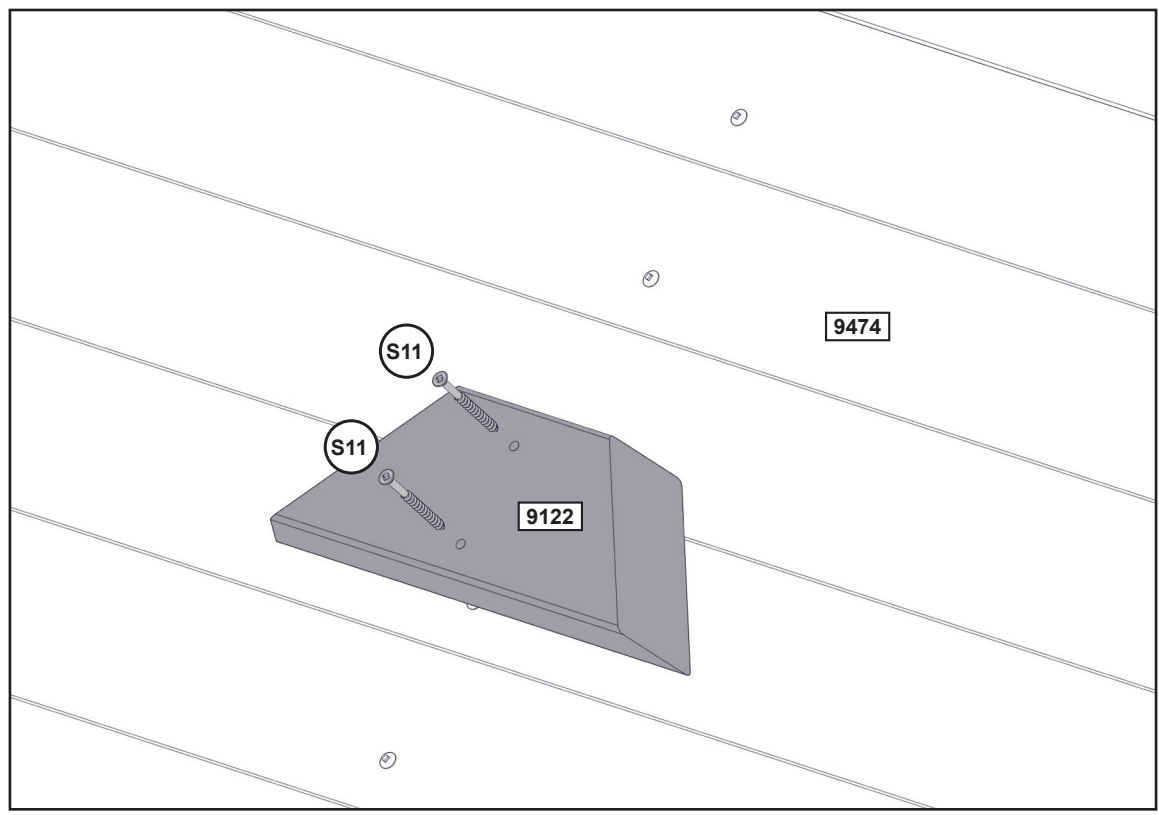
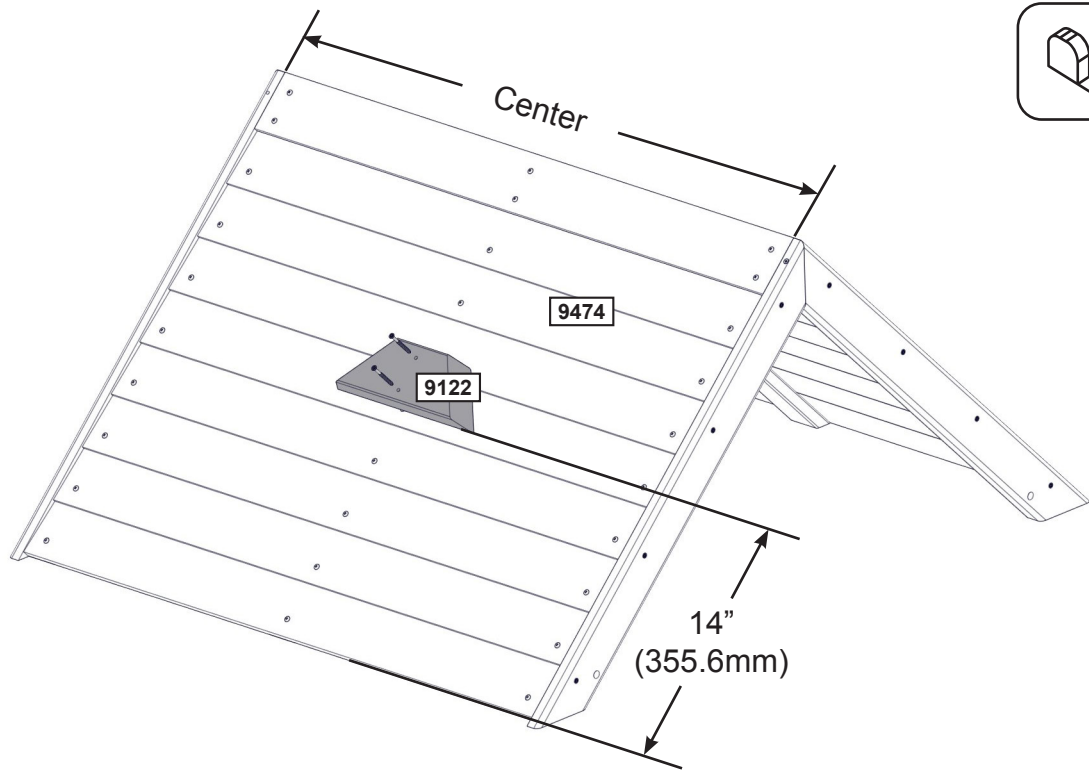
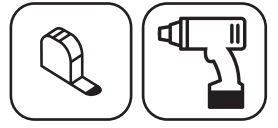
**Other Parts**

- 1 x **3330504**
- 1 x **9200632**





31



**Wood Parts**

1 x 9122 34.9 mm x 85.7 mm x 254 mm (1 3/8" x 3 3/8" x 10")

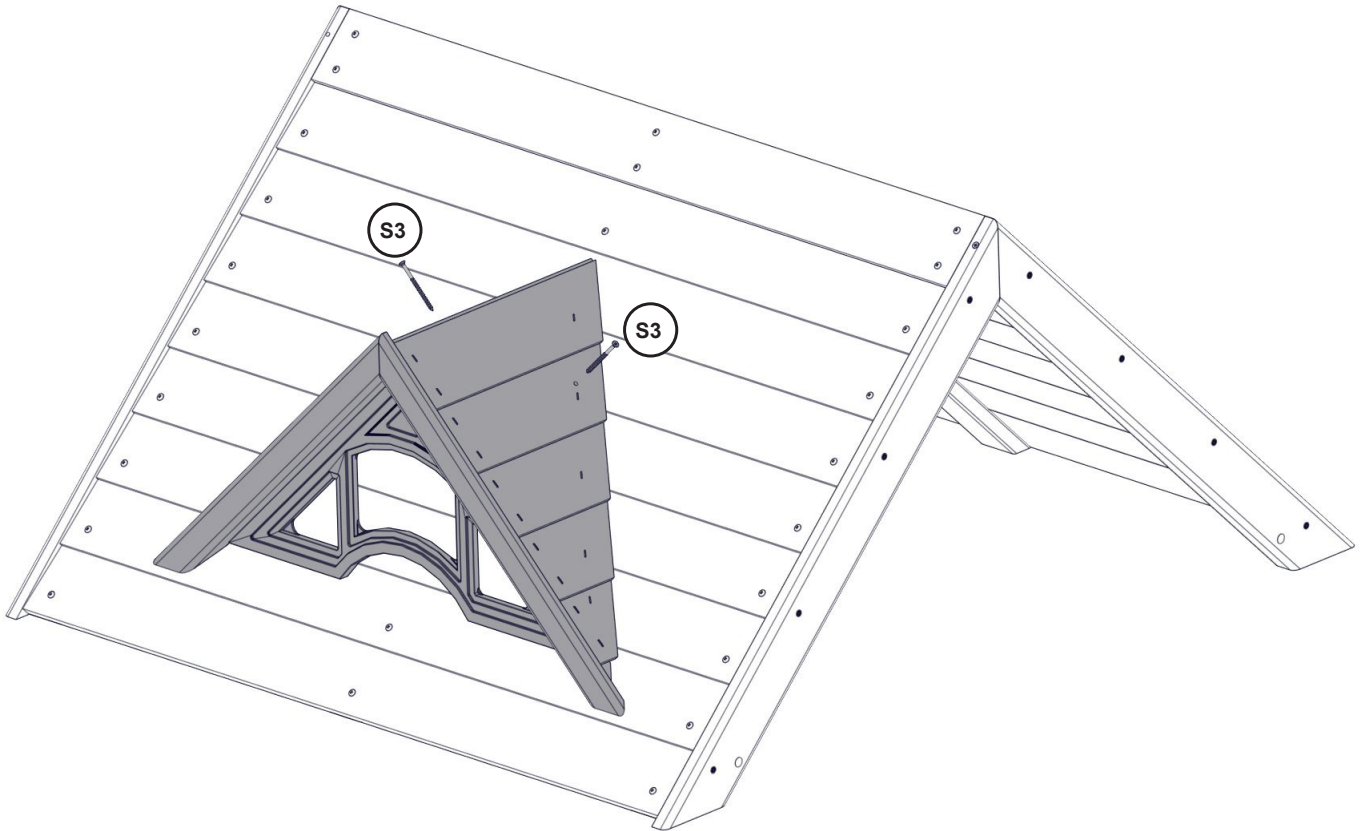
**Hardware**

2 x S11 #8 x 50.8 mm (#8 x 2")



parts.kidkraft.com

customerservice@kidkraft.com  
1.800.933.0771  
972.385.0100



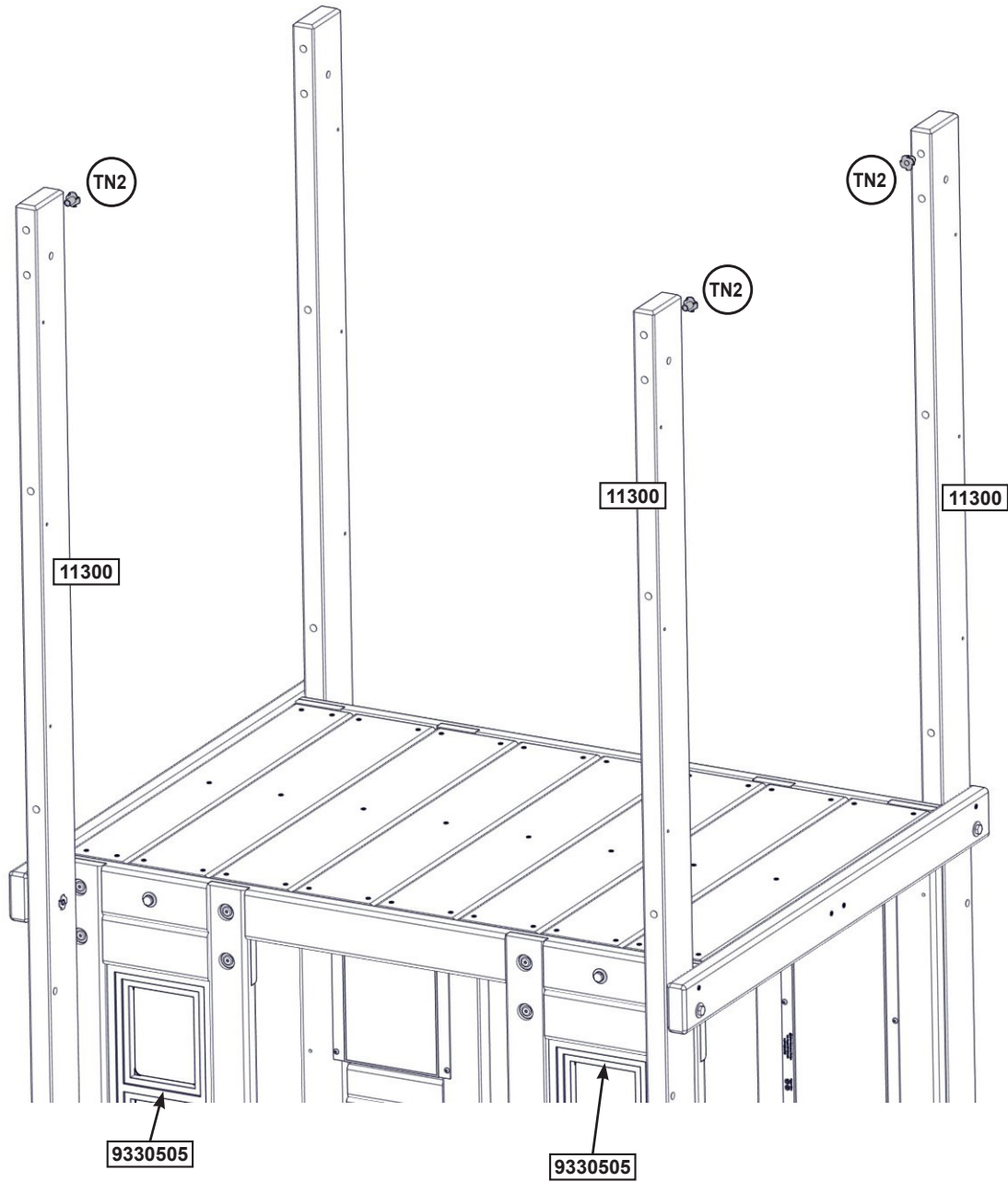
**Hardware**

2 x  #8 x 63.5mm (#8 x 2-1/2")



33

Hammer T-Nut into the hole.  
They are used later in Steps 42, 47.  
Note hole orientation.

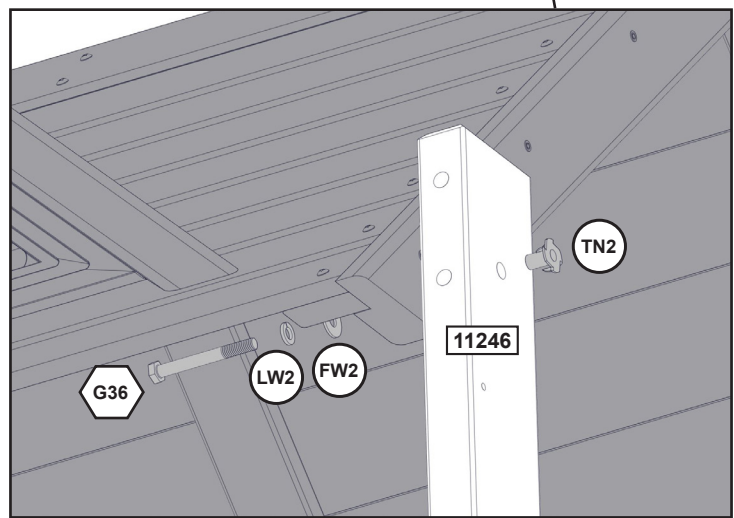
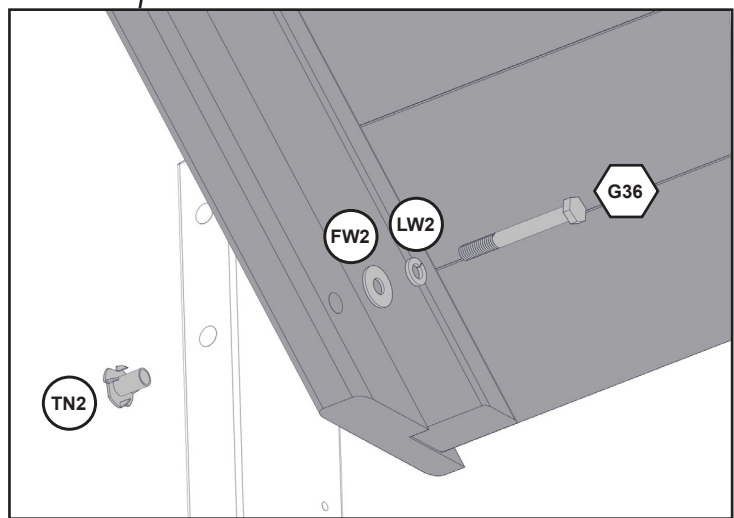
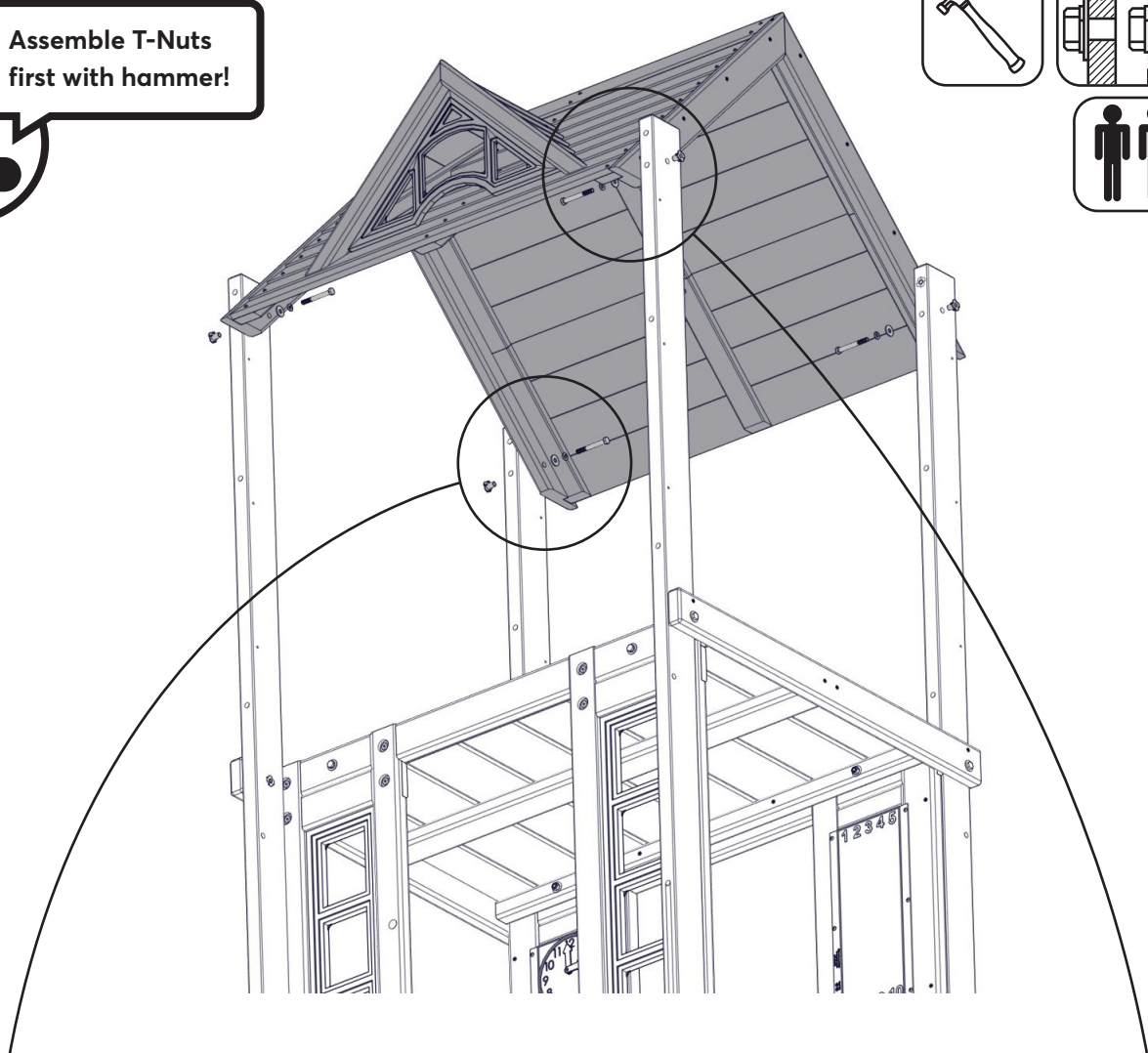


**Hardware**


3 x **TN2**

34

Assemble T-Nuts first with hammer!



**Hardware**

4 x  7.9 x 69.9 mm (5/16 x 2-3/4") (LW2, FW2, TN2)

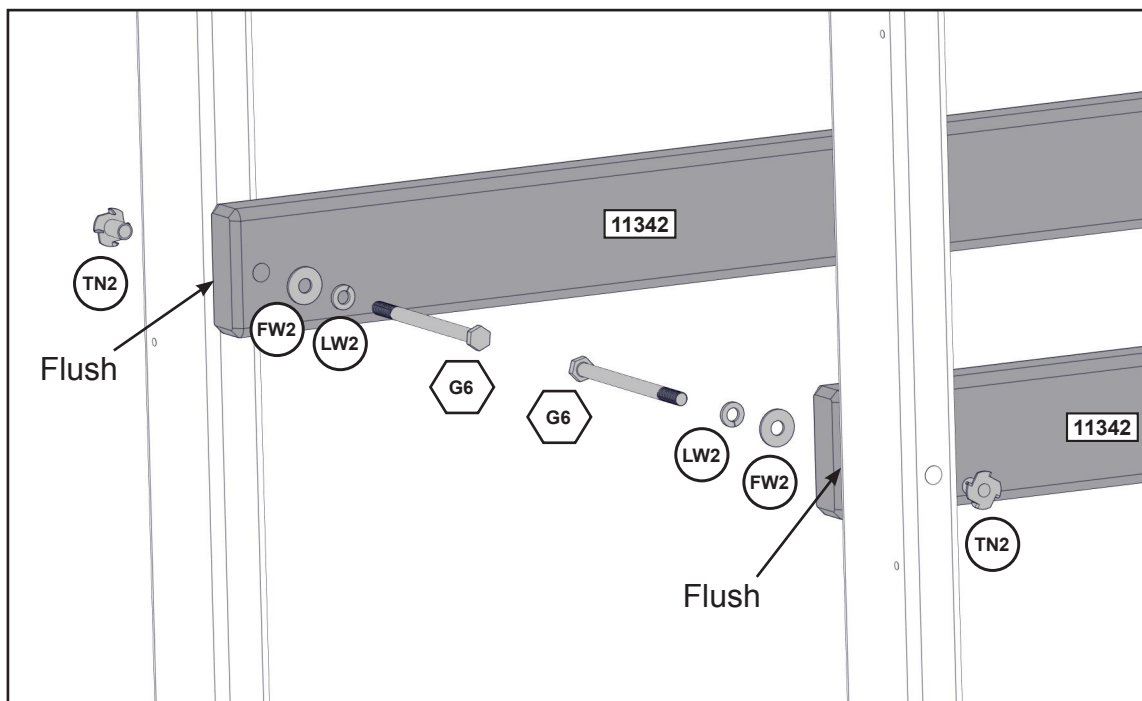
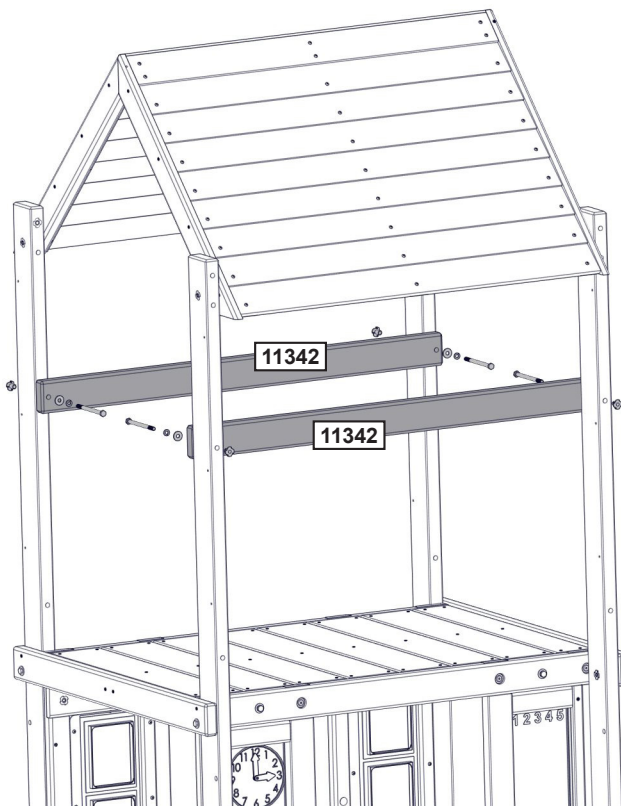
europcustomerservice@kidkraft.com  
+31 20 305 8620  
M-F from 09:00 to 17:30 (GMT+1)

parts.kidkraft.eu



35

Assemble T-Nuts first with hammer!



**Wood Parts**

2 x **11342** 31.8 mm x 76.2 mm x 1059.8 mm (1 1/4" x 3" x 41 3/4")

**Hardware**

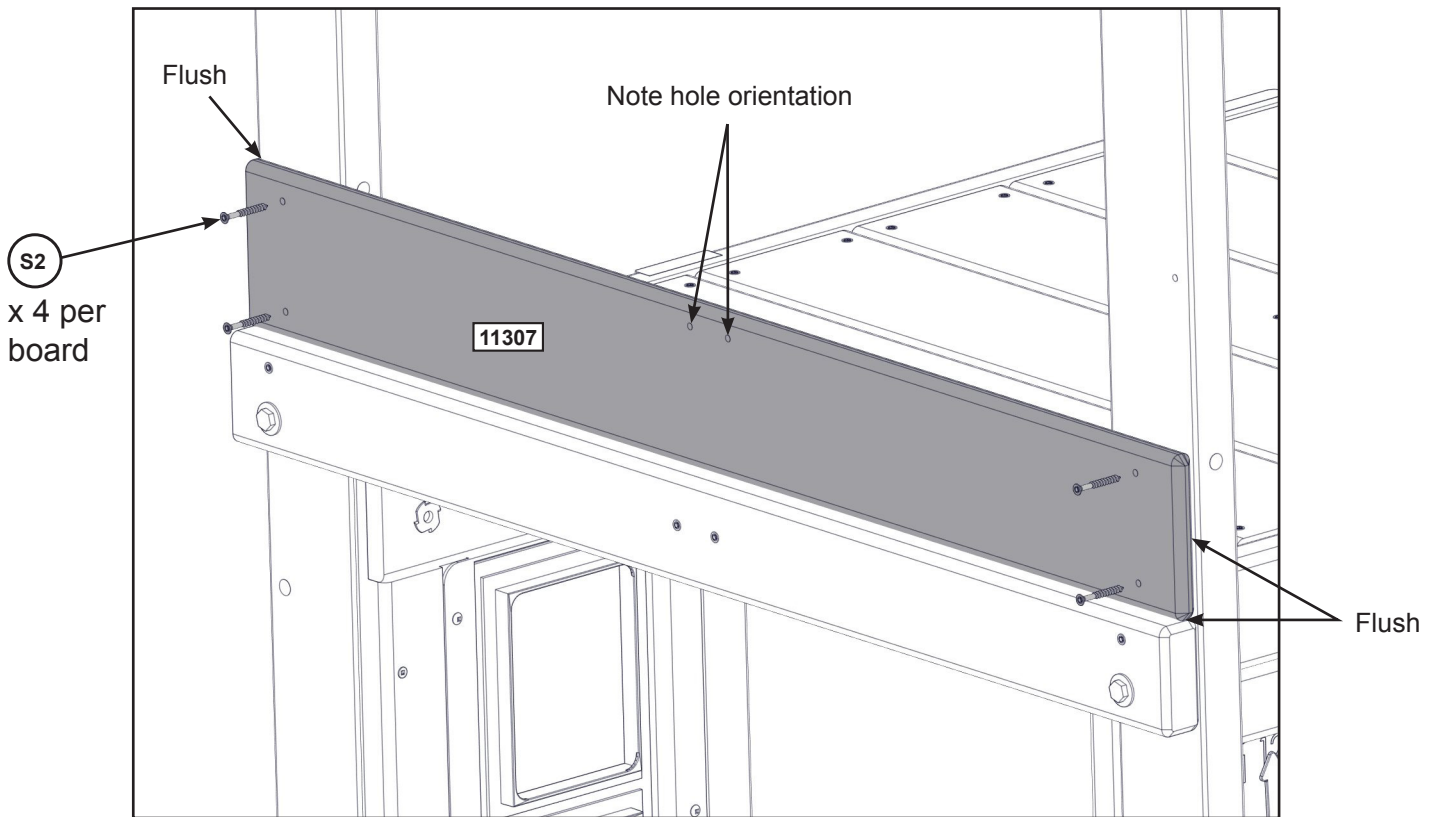
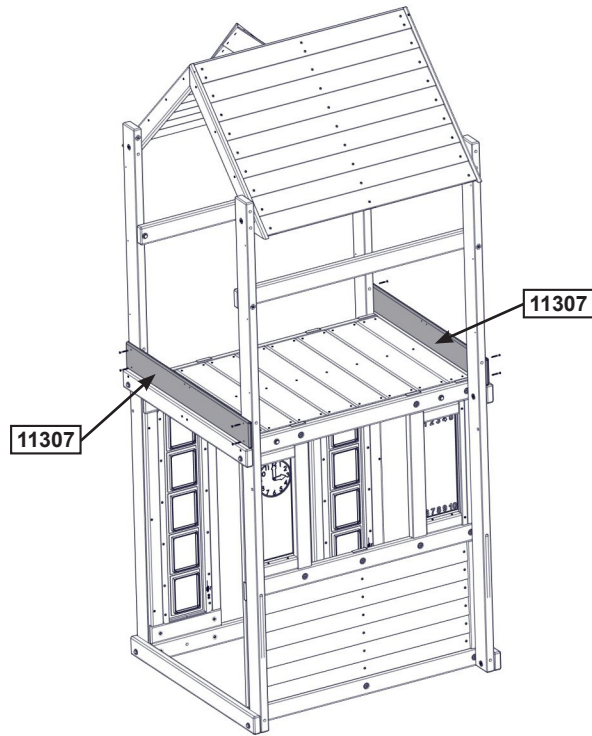
4 x **G6** 7.9 x 120.7 mm (5/16 x 4-3/4") (LW2, FW2, TN2)



parts.kidkraft.com

customerservice@kidkraft.com  
1.800.933.0771  
972.385.0100





**Wood Parts**

2 x 11307 15.9 mm x 114.3 mm x 939.8 mm (5/8" x 4 1/2" x 37")

**Hardware**

8 x S2 #8 x 38.1 mm (#8 x 1-1/2")

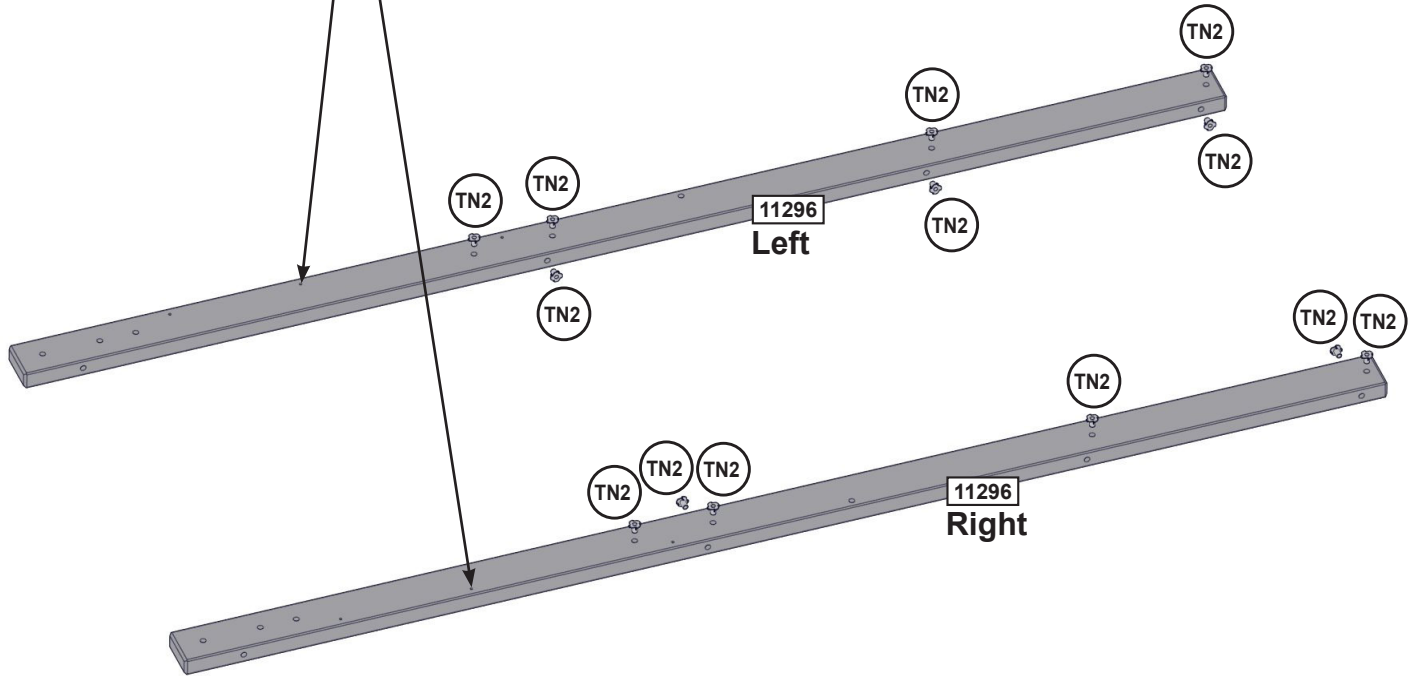


37

# Swing Tower



Hammer T-Nut into the hole.  
Note hole orientation.



### Wood Parts

2 x **11296** 34.9 mm x 85.7 mm x 2336.8 mm (1 3/8" x 3 3/8" x 92")

### Hardware

13 x **TN2**

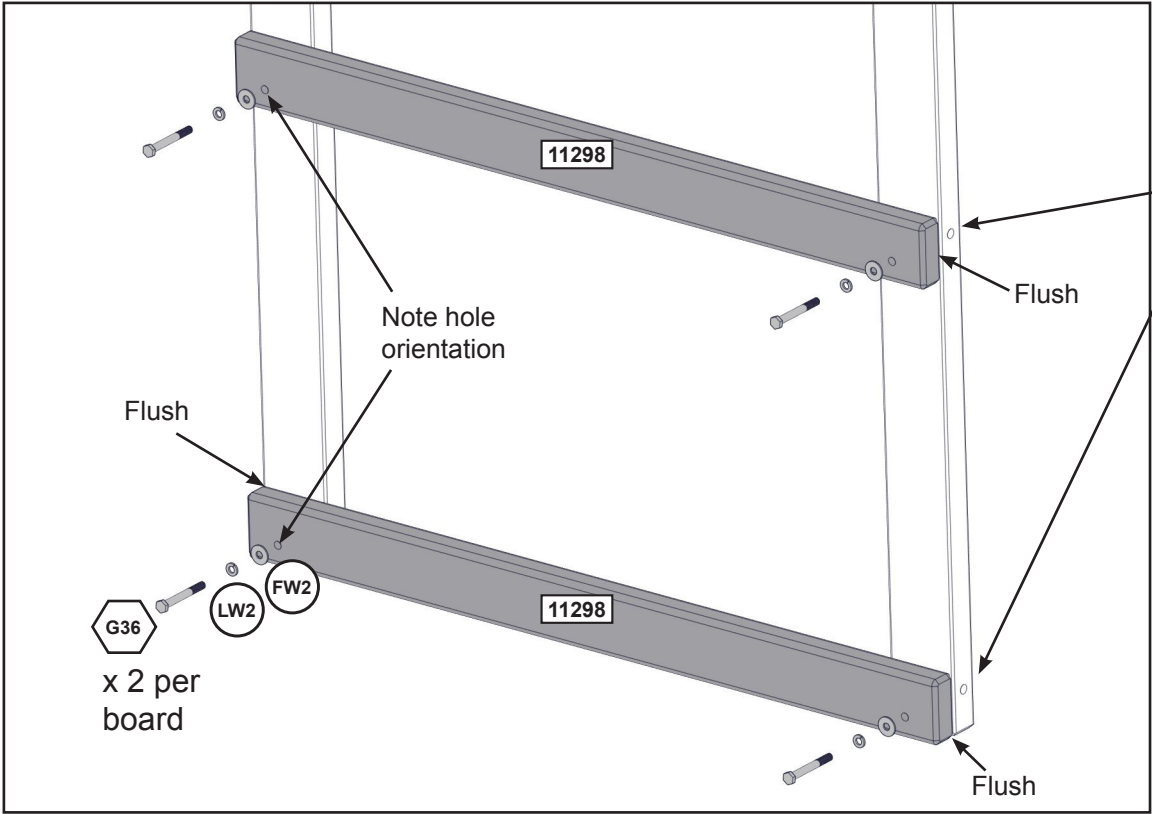
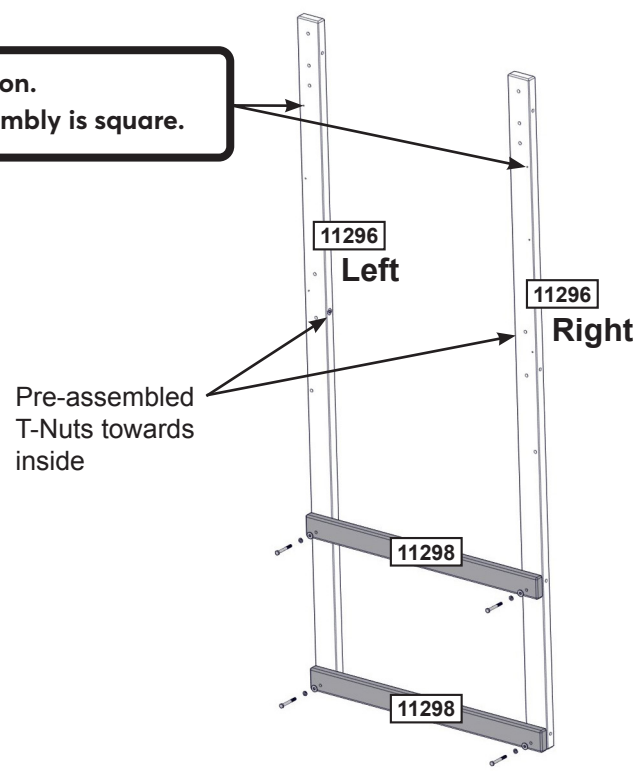


parts.kidkraft.com

customerservice@kidkraft.com  
1.800.933.0771  
972.385.0100

38

Note hole orientation.  
Make sure the assembly is square.



**Wood Parts**

2 x 11298 31.8 mm x 76.2 mm x 939.8 mm (1 1/4" x 3" x 37")

**Hardware**

4 x G36 7.9 x 69.9 mm (5/16 x 2-3/4") (LW2, FW2)

europcustomerservice@kidkraft.com  
+31 20 305 8620  
M-F from 09:00 to 17:30 (GMT+1)

parts.kidkraft.eu

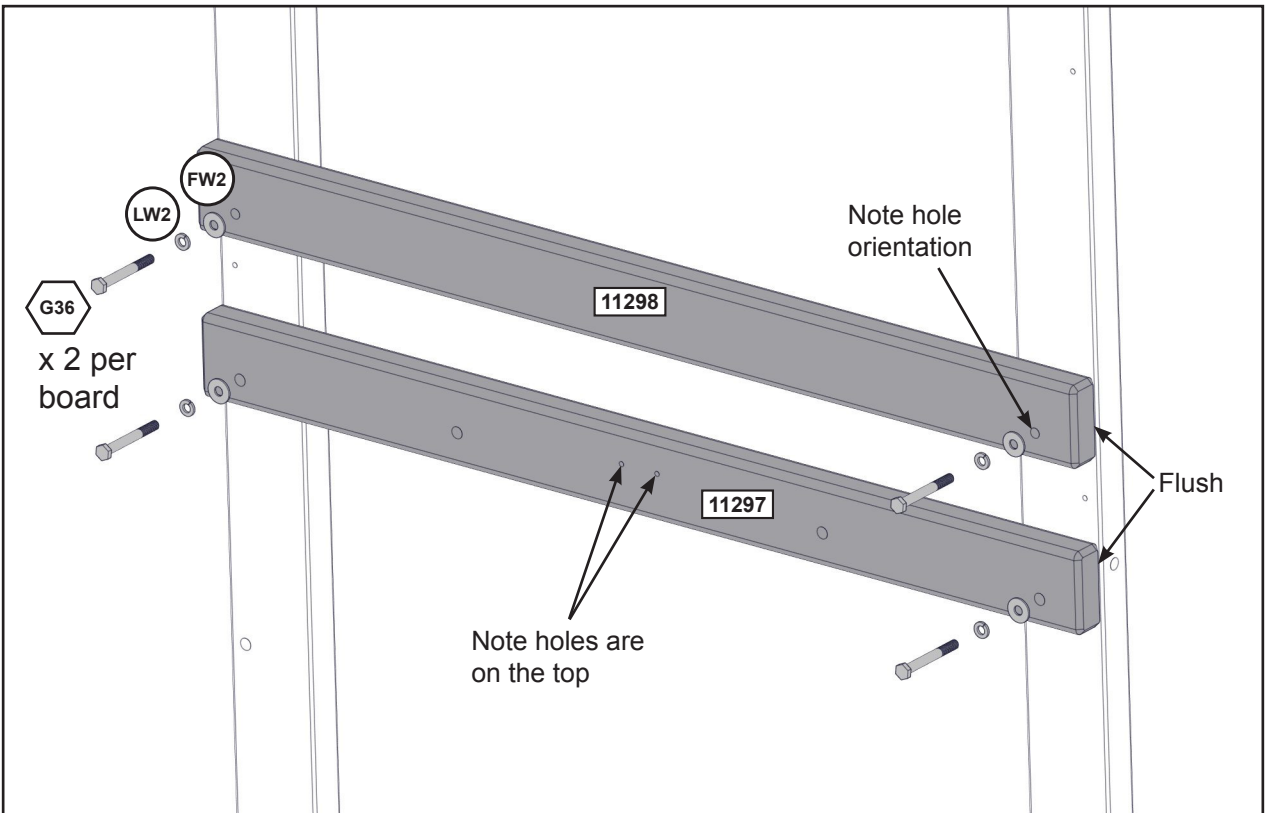
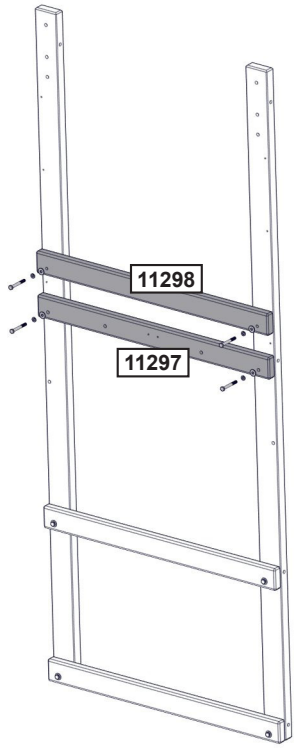
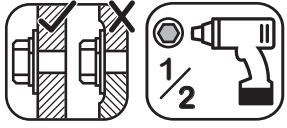




39



Note hole orientation.



**Wood Parts**

- 1 x 11297 31.8 mm x 76.2 mm x 939.8 mm (1 1/4" x 3" x 37")
- 1 x 11298 31.8 mm x 76.2 mm x 939.8 mm (1 1/4" x 3" x 37")

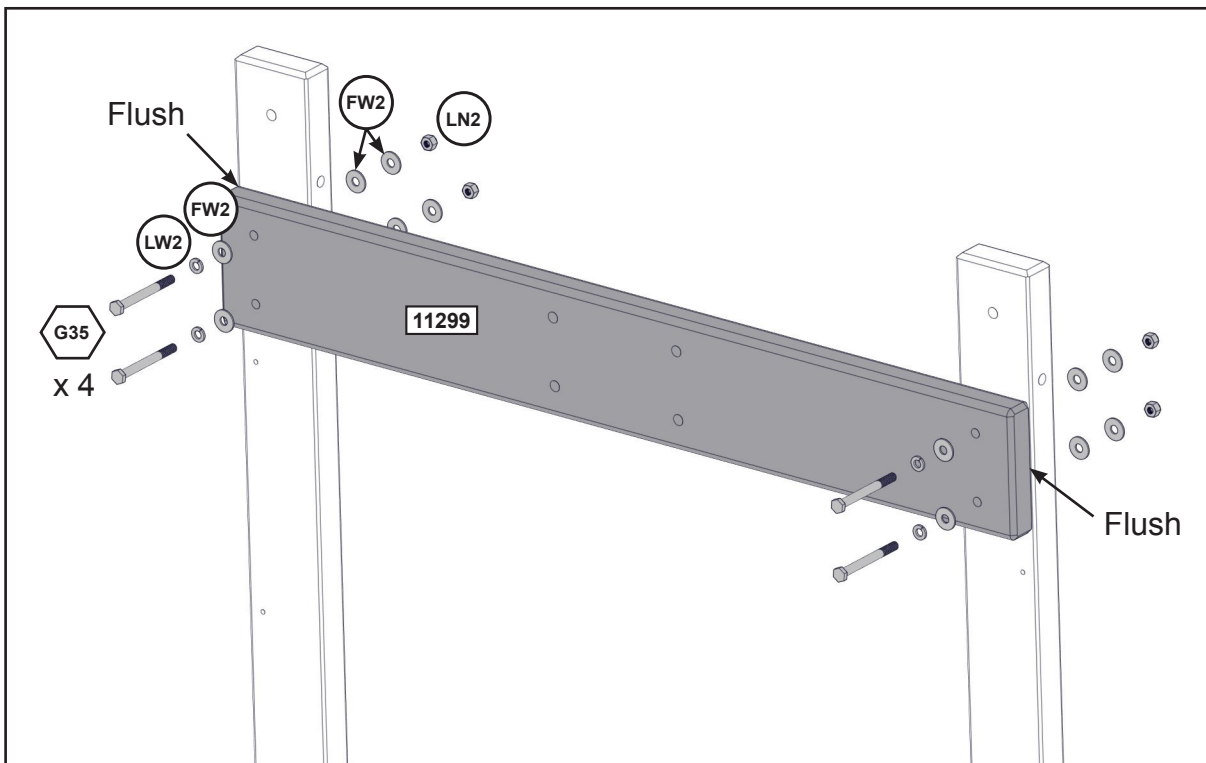
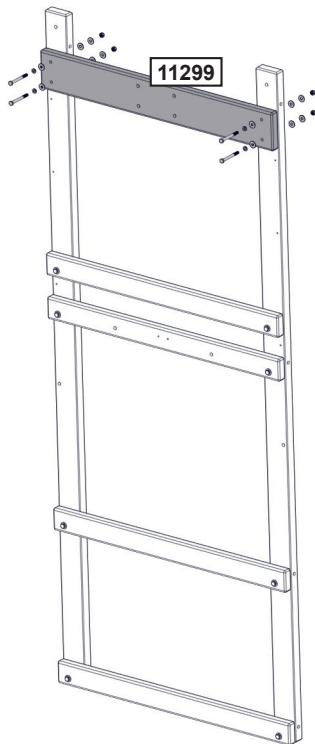
**Hardware**

- 4 x G36 7.9 x 69.9 mm (5/16 x 2-3/4") (LW2, FW2)



parts.kidkraft.com

customerservice@kidkraft.com  
1.800.933.0771  
972.385.0100



**Wood Parts**

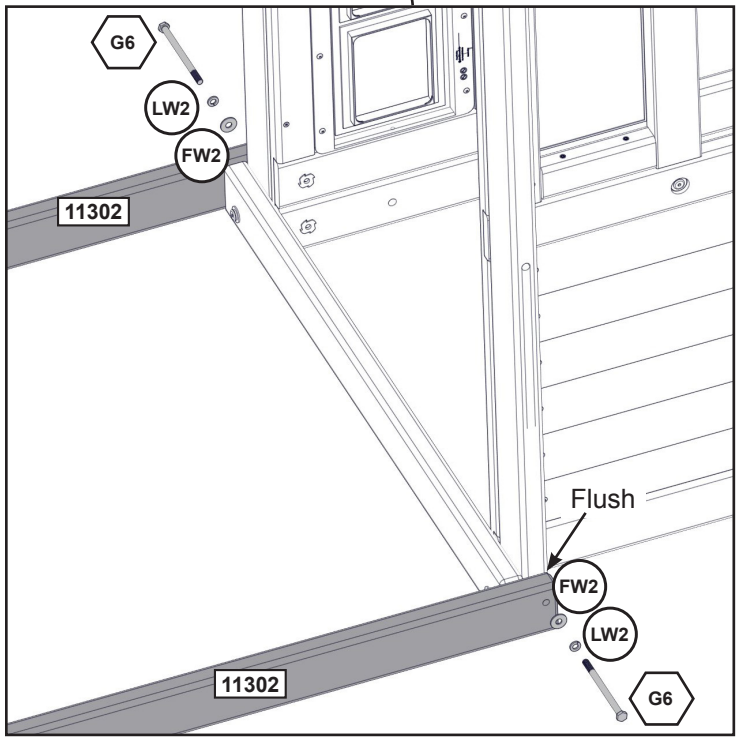
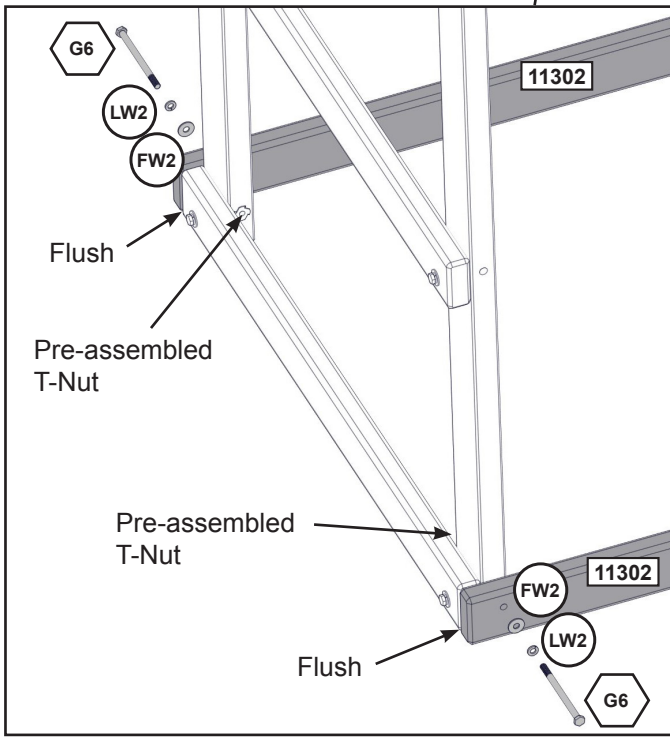
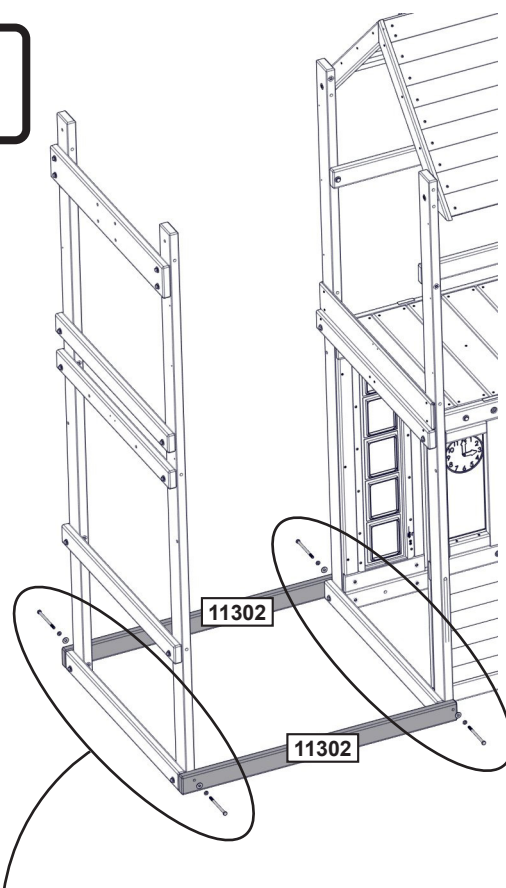
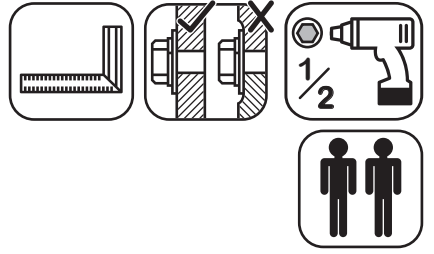
1 x **11299** 31.8 mm x 133.4 mm x 939.8 mm (1 1/4" x 5 1/4" x 37")

**Hardware**

4 x **G35** 7.9 x 82.6 mm (5/16" x 3-1/4") (LW2, FW2 x 3, LN2)

41

Make sure the assembly is square.  
Note hole orientation.



**Wood Parts**

2 x **11302** 31.8 mm x 76.2 mm x 1092.2 mm (1 1/4" x 3" x 43")

**Hardware**

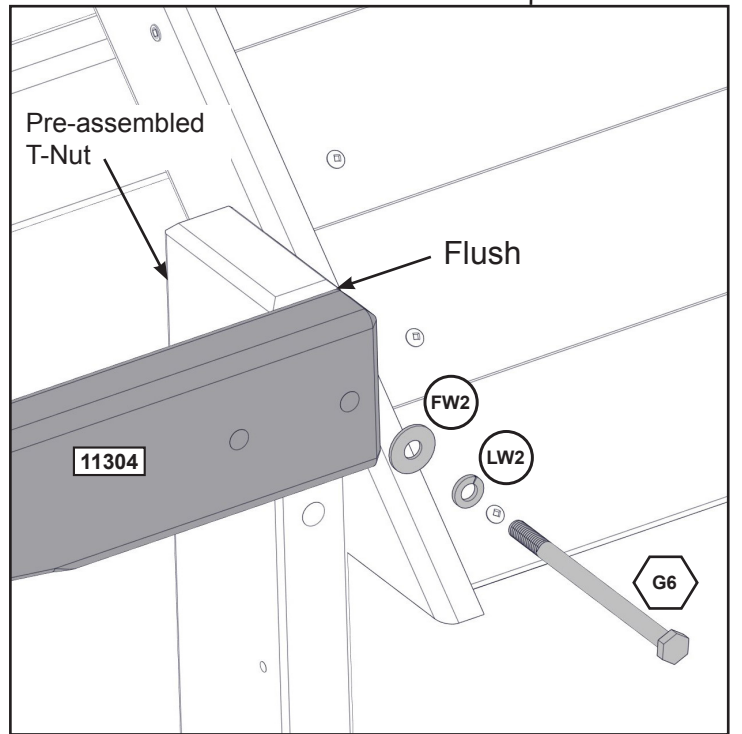
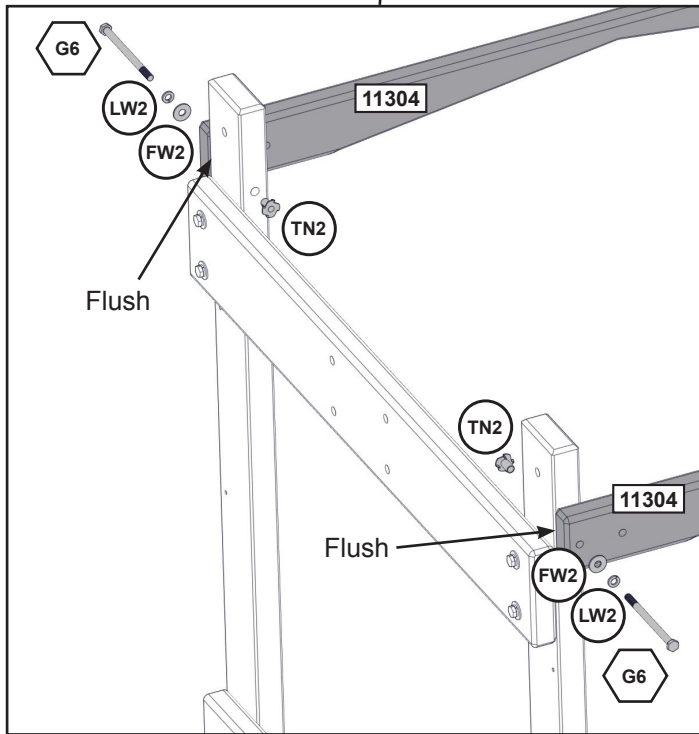
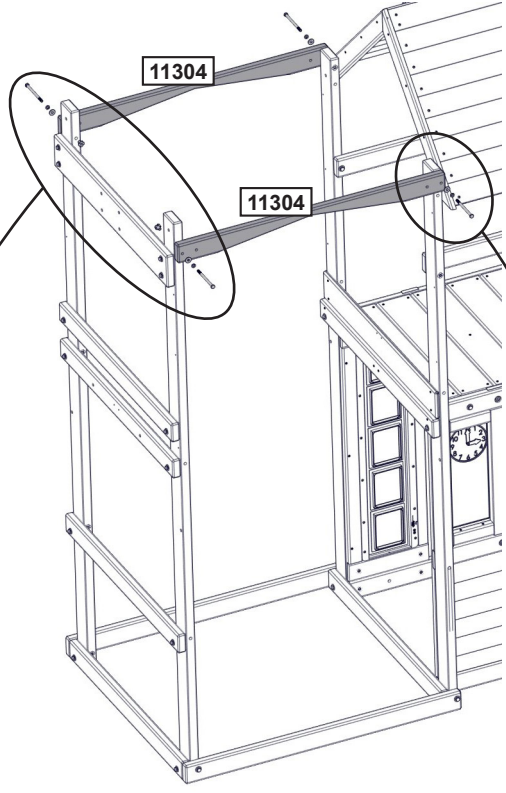
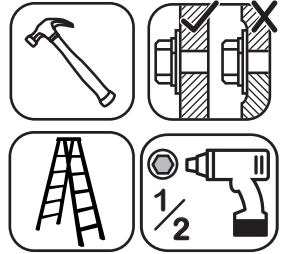
4 x **G6** 7.9 x 120.7 mm (5/16 x 4-3/4") (LW2, FW2)



parts.kidkraft.com

customerservice@kidkraft.com  
1.800.933.0771  
972.385.0100

Assemble T-Nuts first with hammer!  
Note the arc orientation.



**Wood Parts**

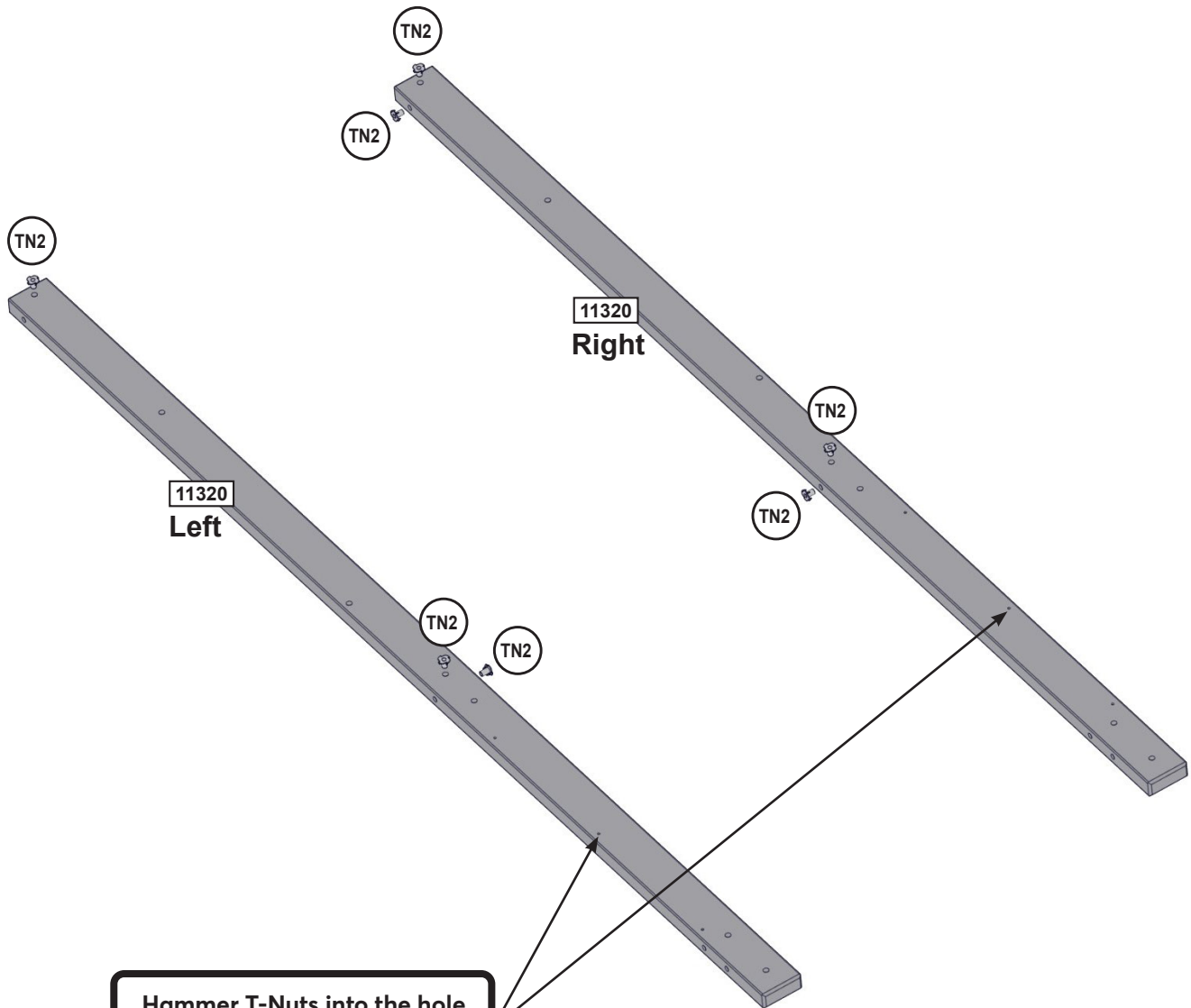
2 x 11304 31.8 mm x 76.2 mm x 1060.4 mm (1 1/4" x 3" x 41 3/4")

**Hardware**

2 x G6 7.9 x 120.7 mm (5/16 x 4-3/4") (LW2, FW2)

2 x G6 7.9 x 120.7 mm (5/16 x 4-3/4") (LW2, FW2, TN2)





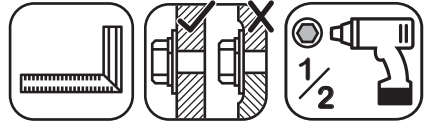
Hammer T-Nuts into the hole.  
Note hole orientation.

**Wood Parts**

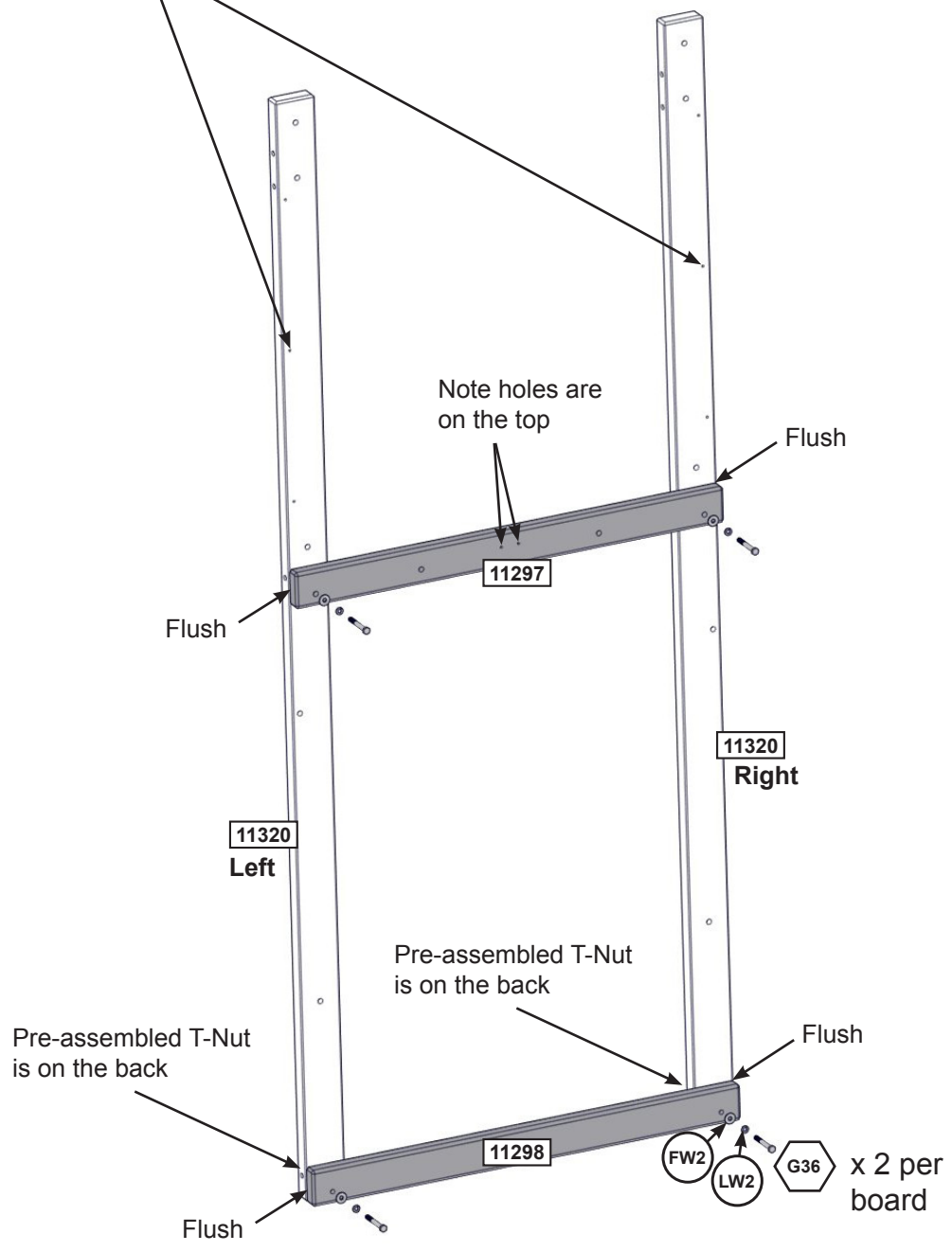
2 x 11320 34.9 mm x 85.7 mm x 2336.8 mm (1 3/8" x 3 3/8" x 92")

**Hardware**

7 x TN2



Note hole orientation.  
Make sure the assembly is square.



**Wood Parts**

- 1 x 11297 31.8 mm x 76.2 mm x 939.8 mm (1 1/4" x 3" x 37")
- 1 x 11298 31.8 mm x 76.2 mm x 939.8 mm (1 1/4" x 3" x 37")

**Hardware**

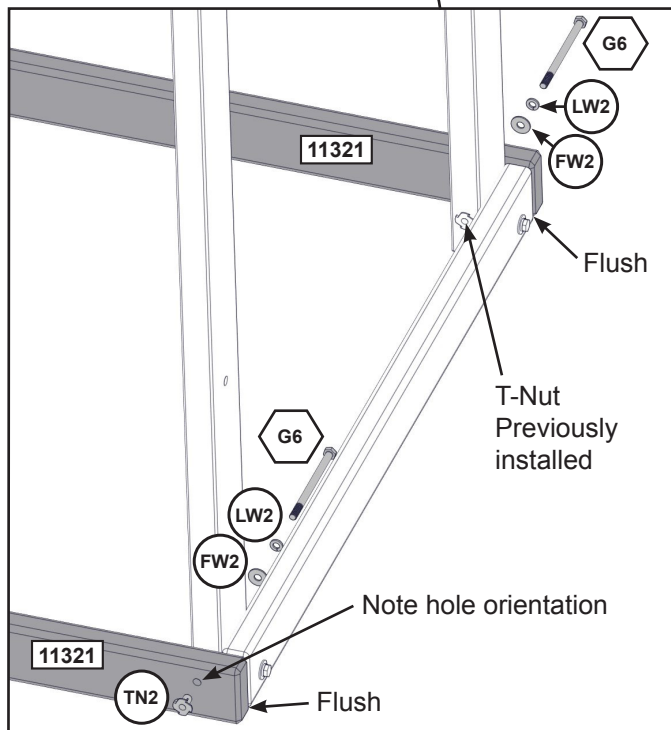
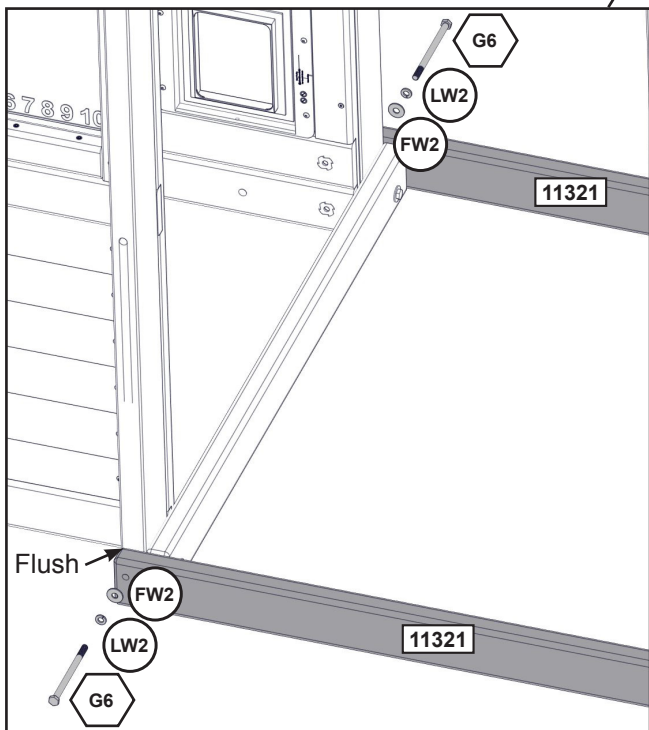
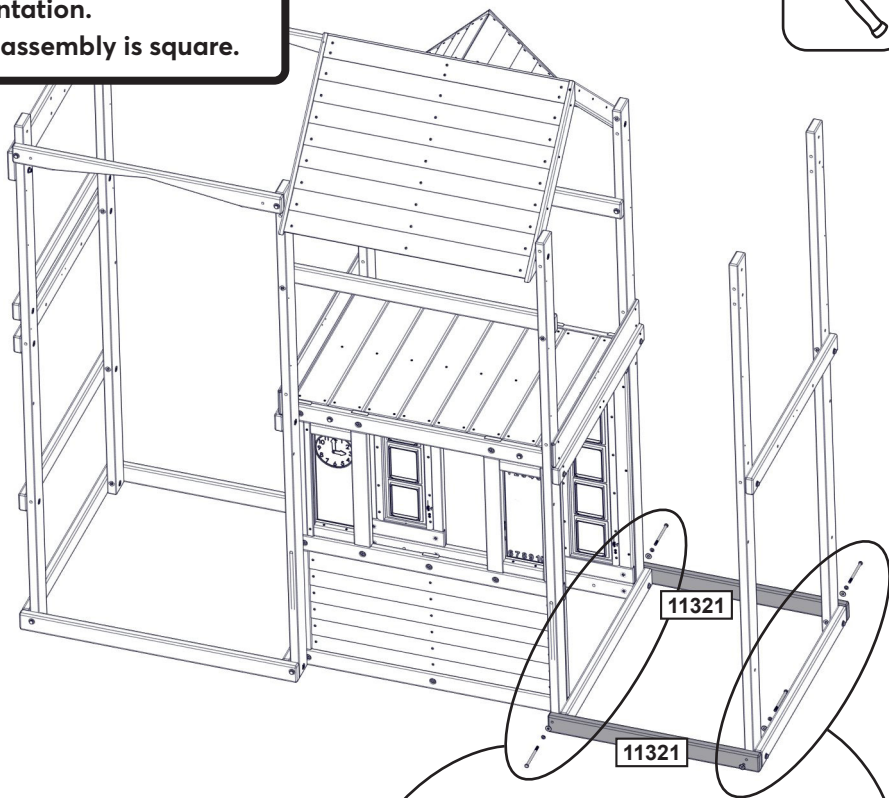
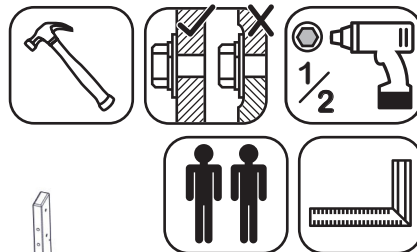
- 4 x G36 7.9 x 69.9 mm (5/16 x 2-3/4") (LW2, FW2)





45

Assemble T-Nuts first with hammer!  
Note hole orientation.  
Make sure the assembly is square.



**Wood Parts**

2 x **11321** 31.8 mm x 76.2 mm x 832.2 mm ( 1 1/4" x 3" x 32 3/4")

**Hardware**

3 x **G6** 7.9 x 120.7 mm (5/16 x 4-3/4") (LW2, FW2)

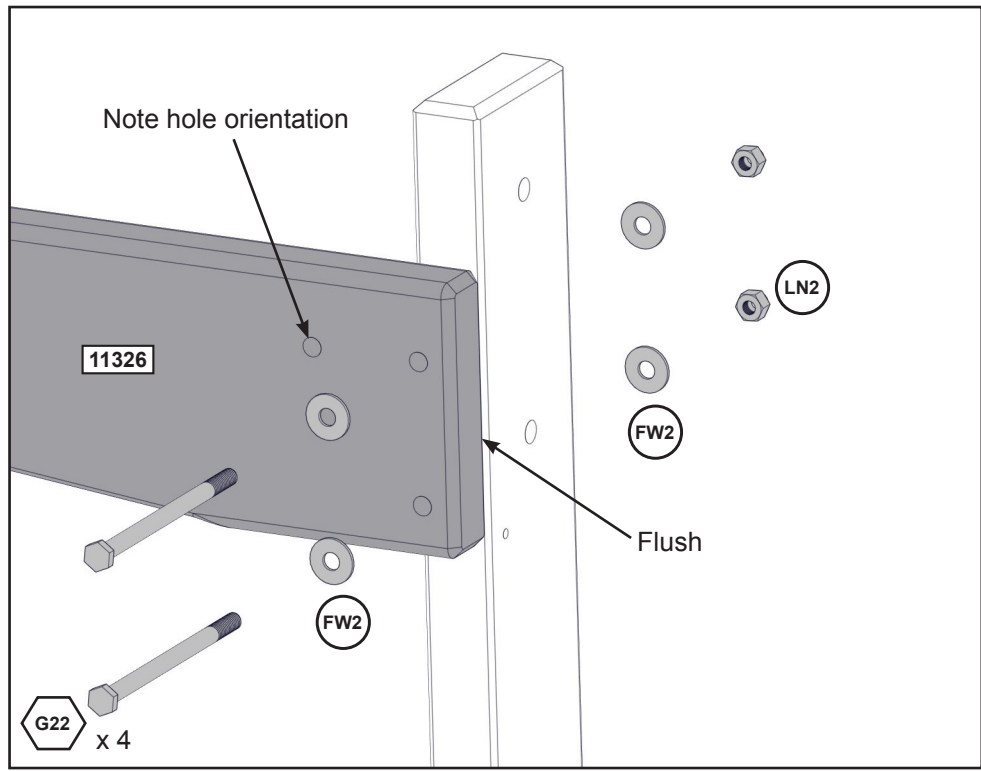
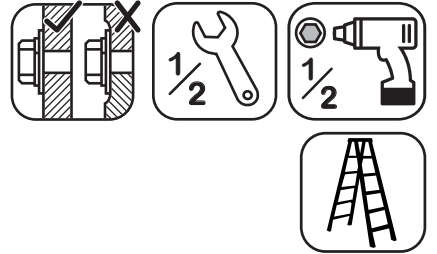
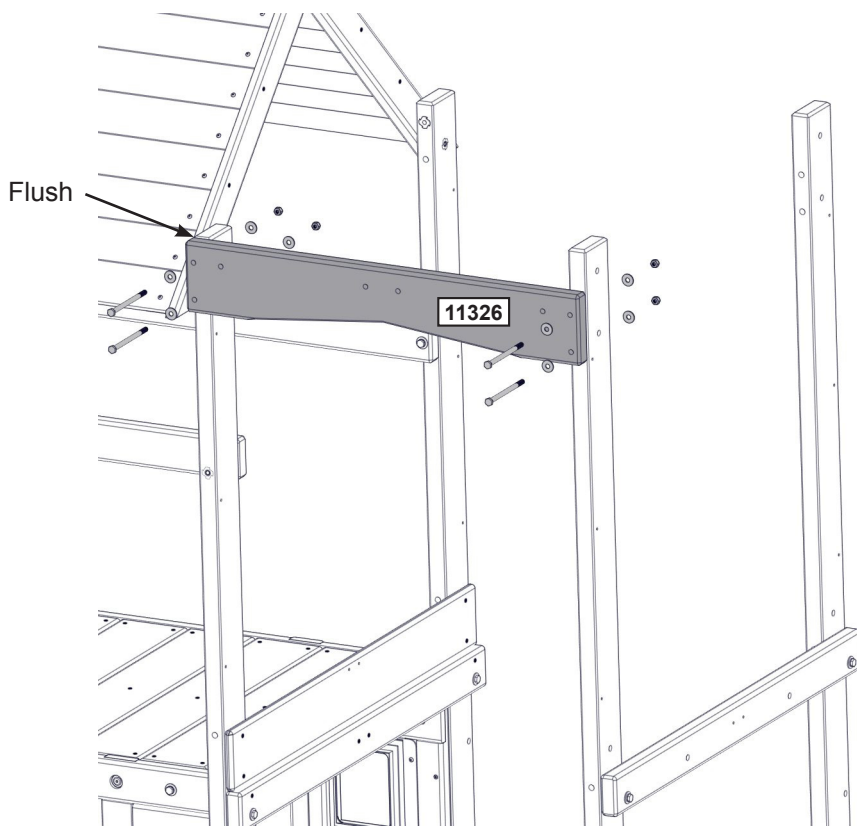
1 x **G6** 7.9 x 120.7 mm (5/16 x 4-3/4") (LW2, FW2, TN2)



parts.kidkraft.com

customerservice@kidkraft.com  
1.800.933.0771  
972.385.0100

46



**Wood Parts**

1 x **11326** 31.8 mm x 133.4 mm x 800.4 mm (1 1/4" x 5 1/4" x 31 1/2")

**Hardware**

4 x **G22** 7.9 x 127 mm (5/16 x 5") (FW2 x 2, LN2)

europcustomerservice@kidkraft.com  
+31 20 305 8620  
M-F from 09:00 to 17:30 (GMT+1)

parts.kidkraft.eu

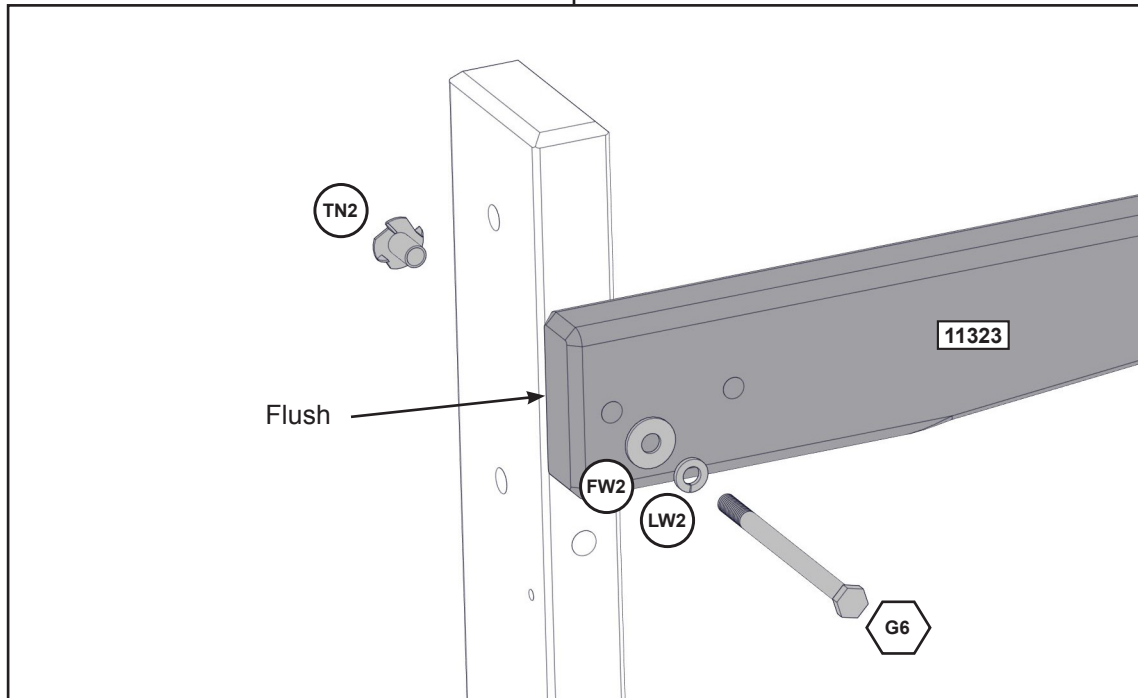
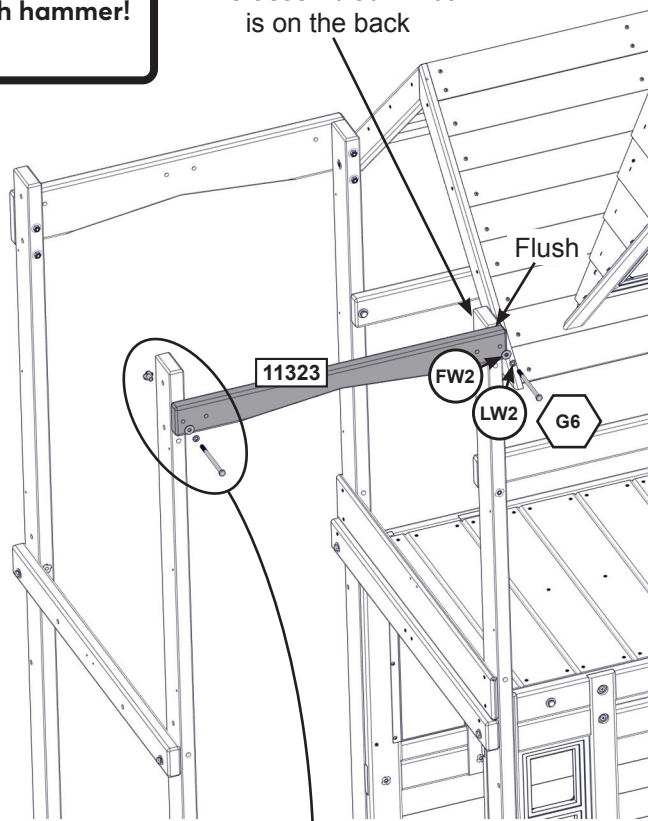
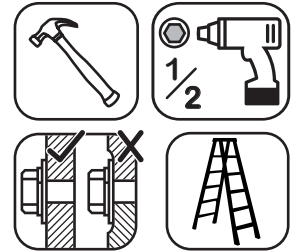




47

Assemble T-Nuts first with hammer!  
Note the arc orientation.

Pre-assembled T-Nut  
is on the back



**Wood Parts**

1 x 11323 31.8 mm x 76.2 mm x 800.4 mm (1 1/4" x 3" x 31 1/2")

**Hardware**

1 x G6 7.9 x 120.7 mm (5/16 x 4-3/4") (LW2, FW2, TN2)

1 x G6 7.9 x 120.7 mm (5/16 x 4-3/4") (LW2, FW2)



parts.kidkraft.com

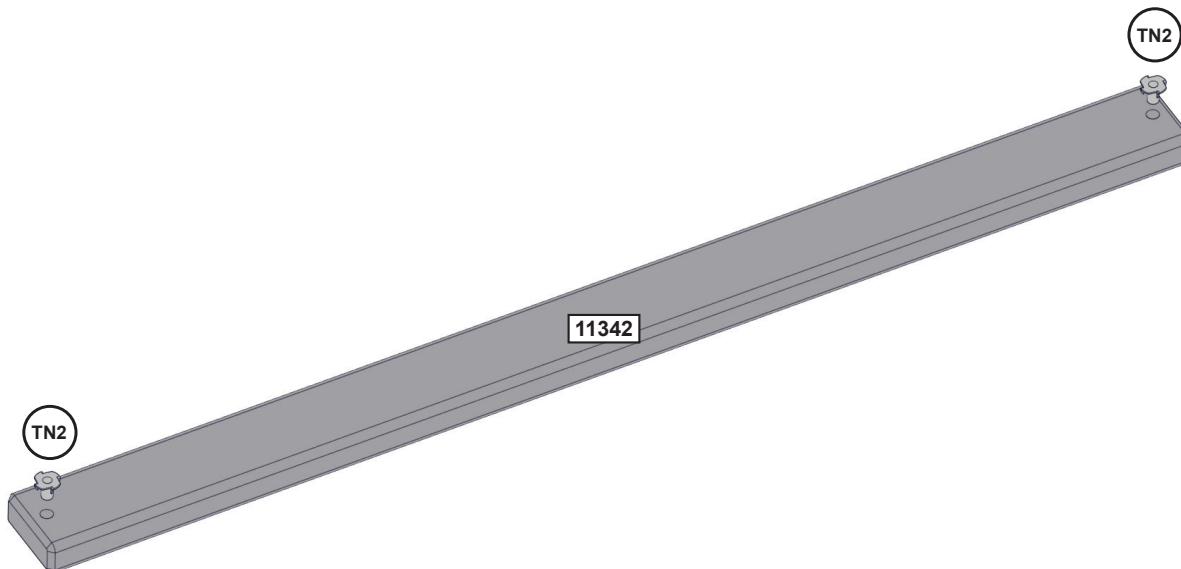
customerservice@kidkraft.com  
1.800.933.0771  
972.385.0100

48

## Middle Railings



Complete this step twice.  
Hammer T-Nut into the hole.



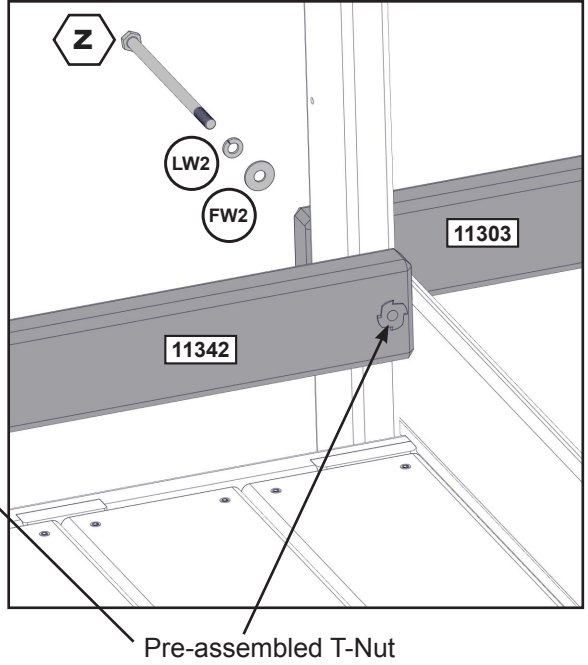
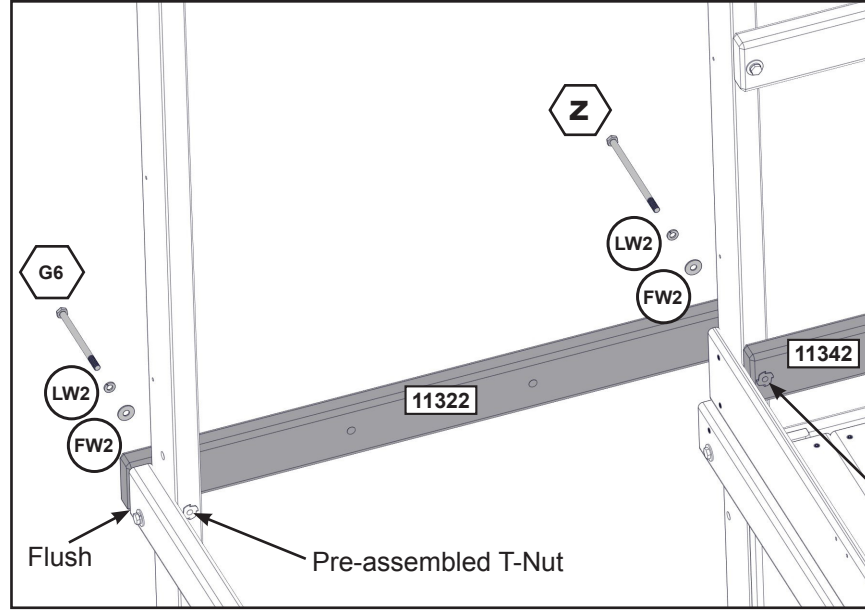
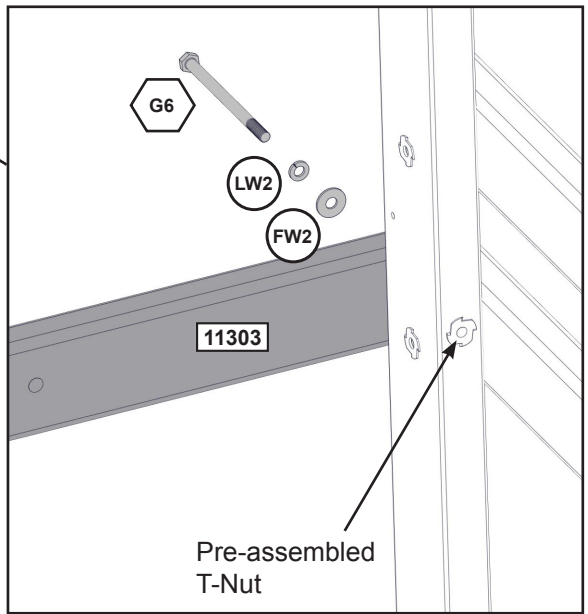
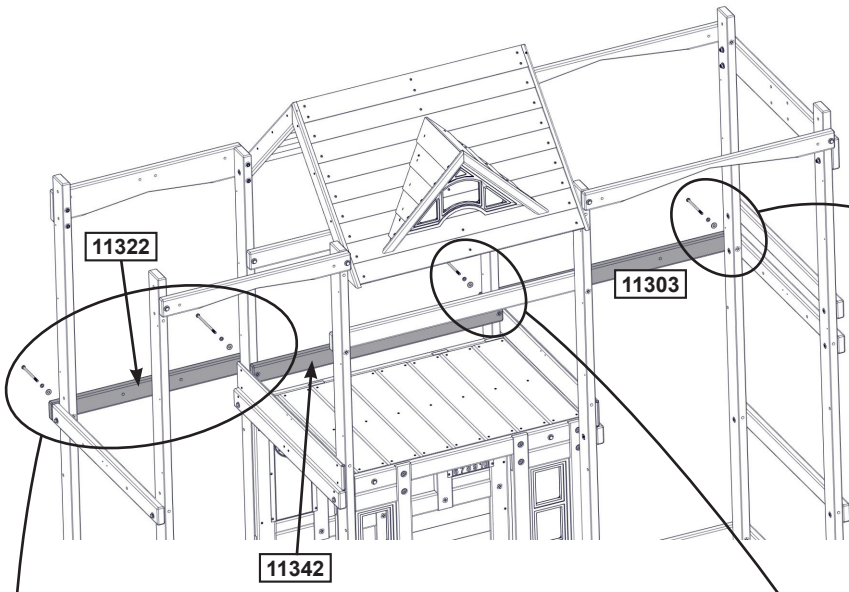
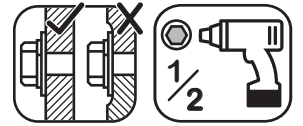
### Wood Parts

2 x 11342 31.8 mm x 76.2 mm x 1059.8 mm (1 1/4" x 3" x 41 3/4")

### Hardware

4 x TN2





**Wood Parts**

- 1 x **11303** 31.8 mm x 76.2 mm x 1092.2 mm (1 1/4" x 3" x 43")
- 1 x **11322** 31.8 mm x 76.2 mm x 832.2 mm (1 1/4" x 3" x 32 3/4")

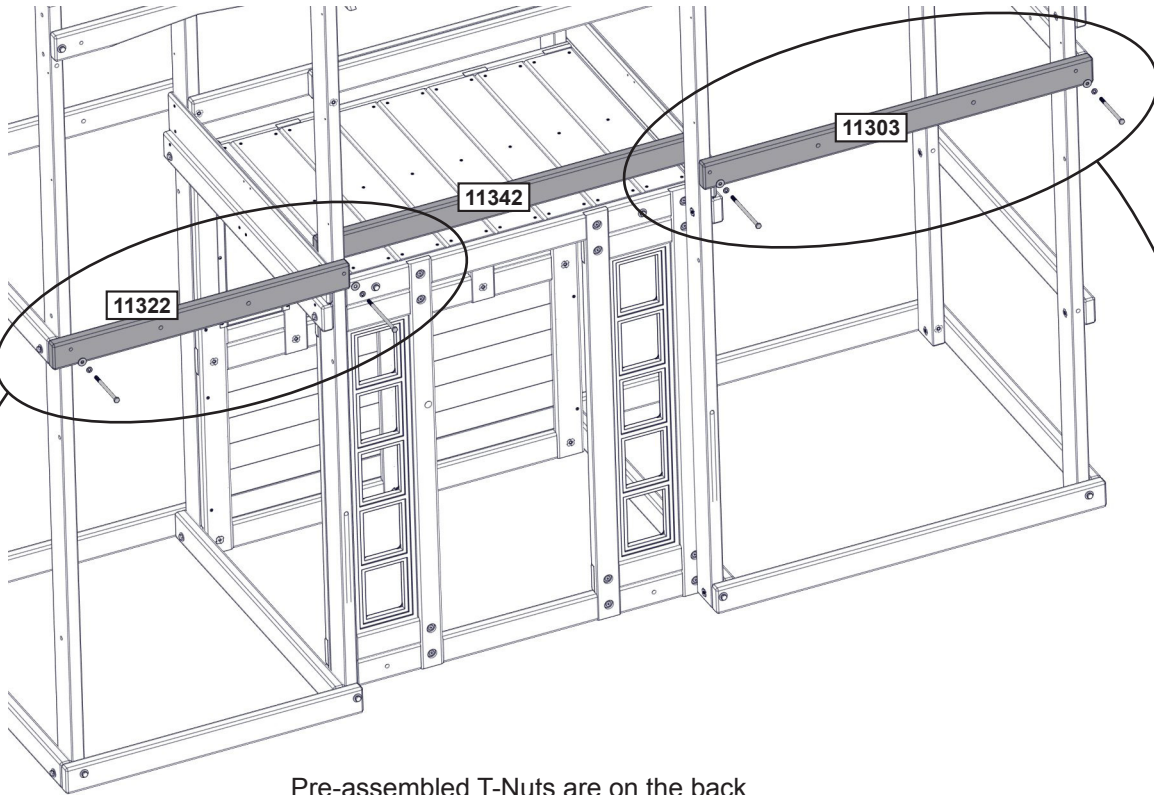
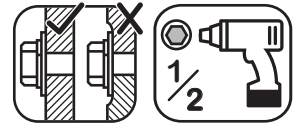
**Hardware**

- 2 x **G6** 7.9 x 120.7 mm (5/16 x 4-3/4") (LW2, FW2)
- 2 x **Z** 7.9 x 152.4 mm (5/16 x 6") (LW2, FW2)

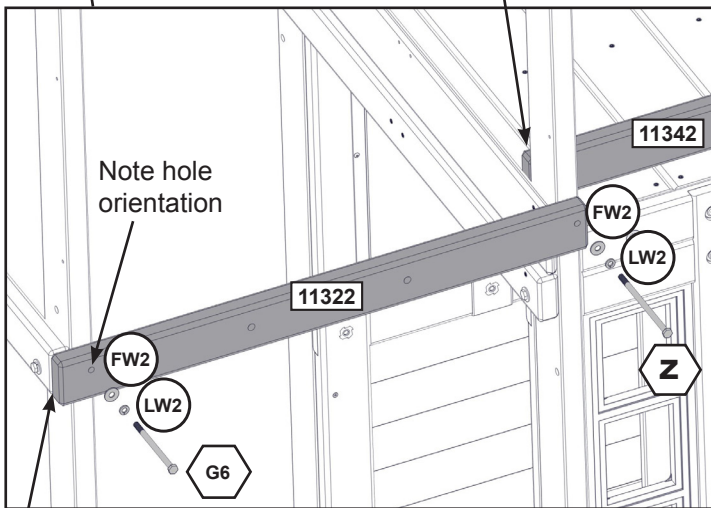


parts.kidkraft.com

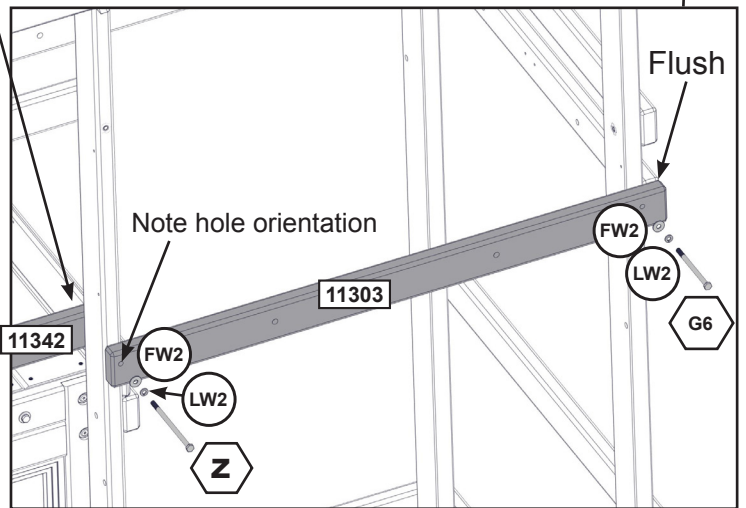
customerservice@kidkraft.com  
1.800.933.0771  
972.385.0100



Pre-assembled T-Nuts are on the back



Flush



**Wood Parts**

- 1 x **11303** 31.8 mm x 76.2 mm x 1092.2 mm (1 1/4" x 3" x 43")
- 1 x **11322** 31.8 mm x 76.2 mm x 832.2 mm (1 1/4" x 3" x 32 3/4")

**Hardware**

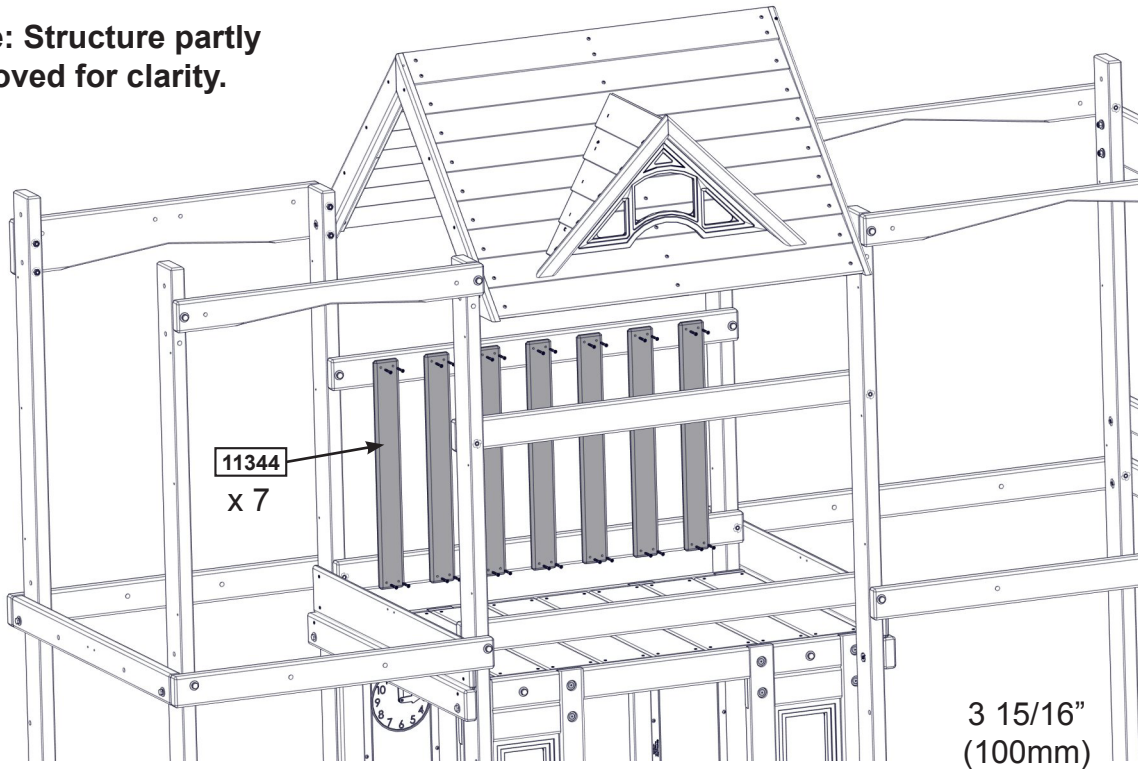
- 2 x **G6** 7.9 x 120.7 mm (5/16 x 4-3/4") (LW2, FW2)
- 2 x **Z** 7.9 x 152.4 mm (5/16 x 6") (LW2, FW2)





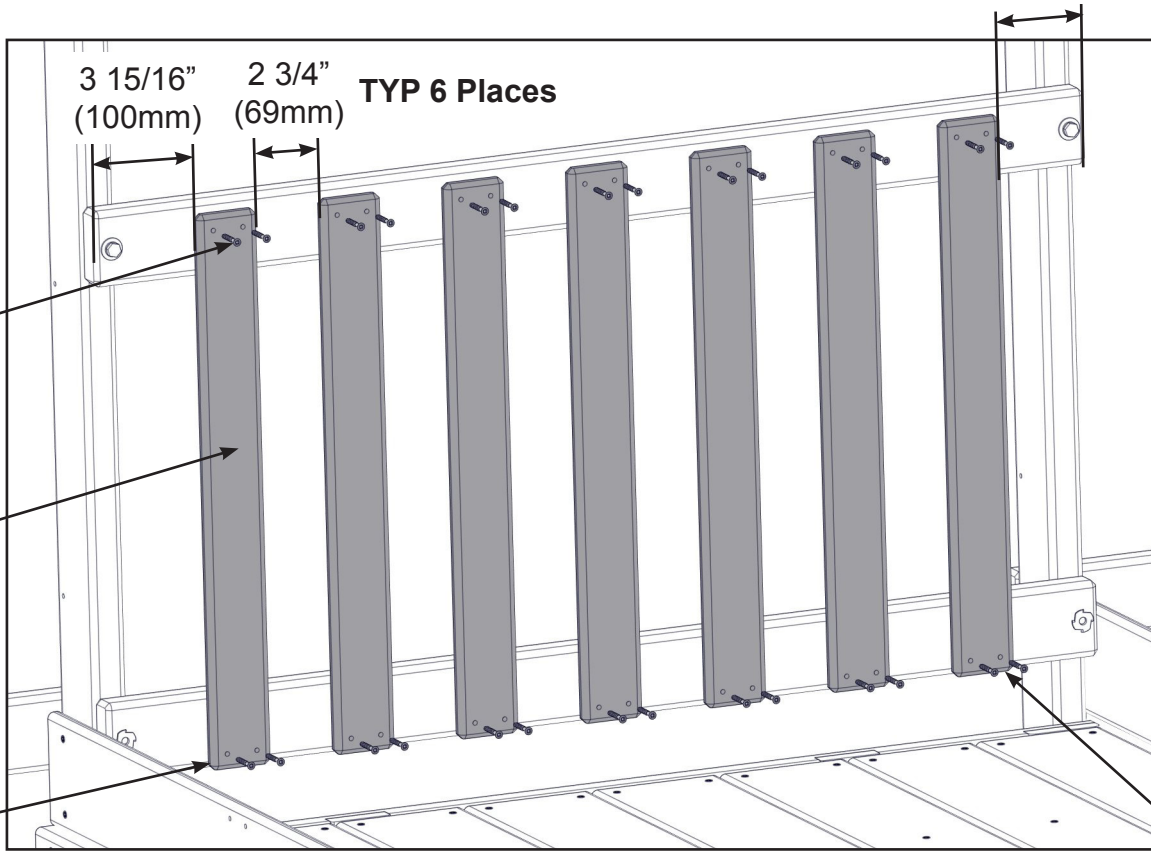
51

Note: Structure partly removed for clarity.



11344  
x 7

3 15/16"  
(100mm)



3 15/16" (100mm) 2 3/4" (69mm) TYP 6 Places

S20  
x 4 per board

11344  
x 7

Flush

Flush

**Wood Parts**

7 x 11344 15.9 mm x 63.5 mm x 558.8 mm (5/8" x 2 1/2" x 22")

**Hardware**

28 x S20 #8 x 34.9 mm (#8 x 1-3/8")

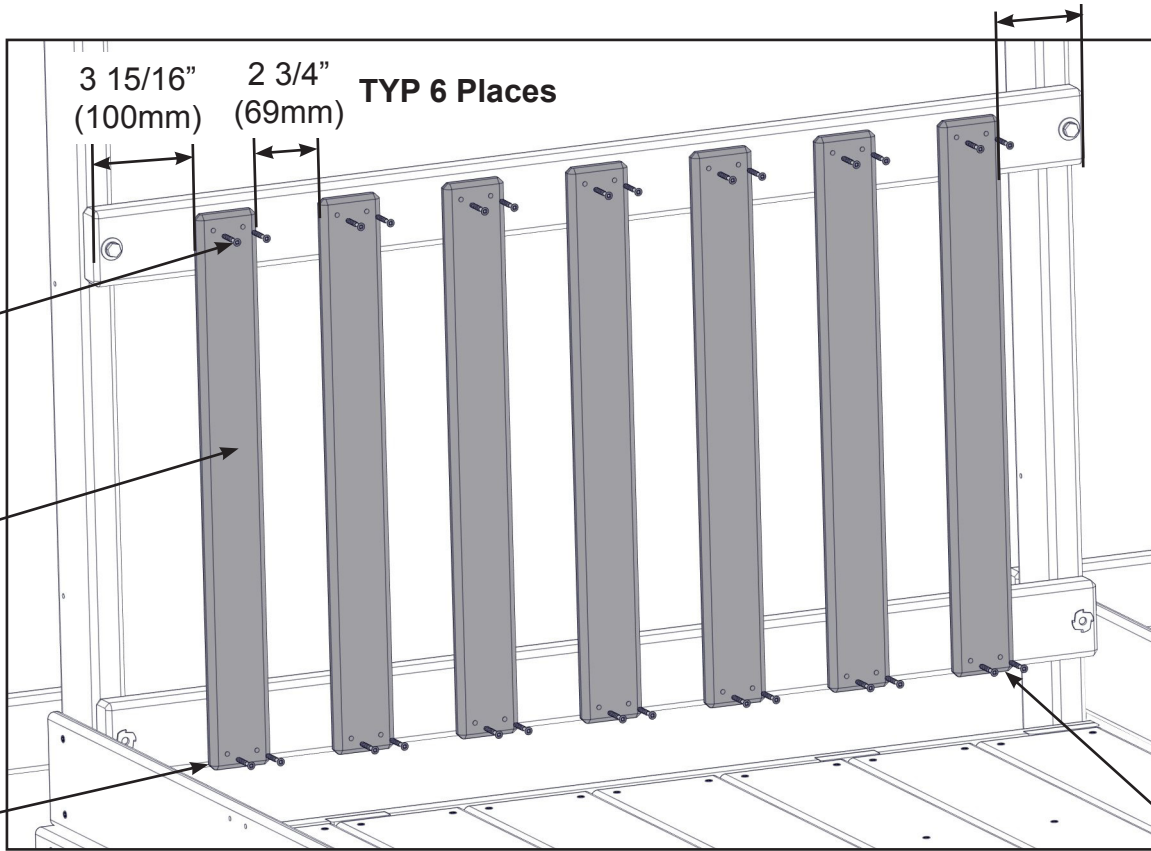
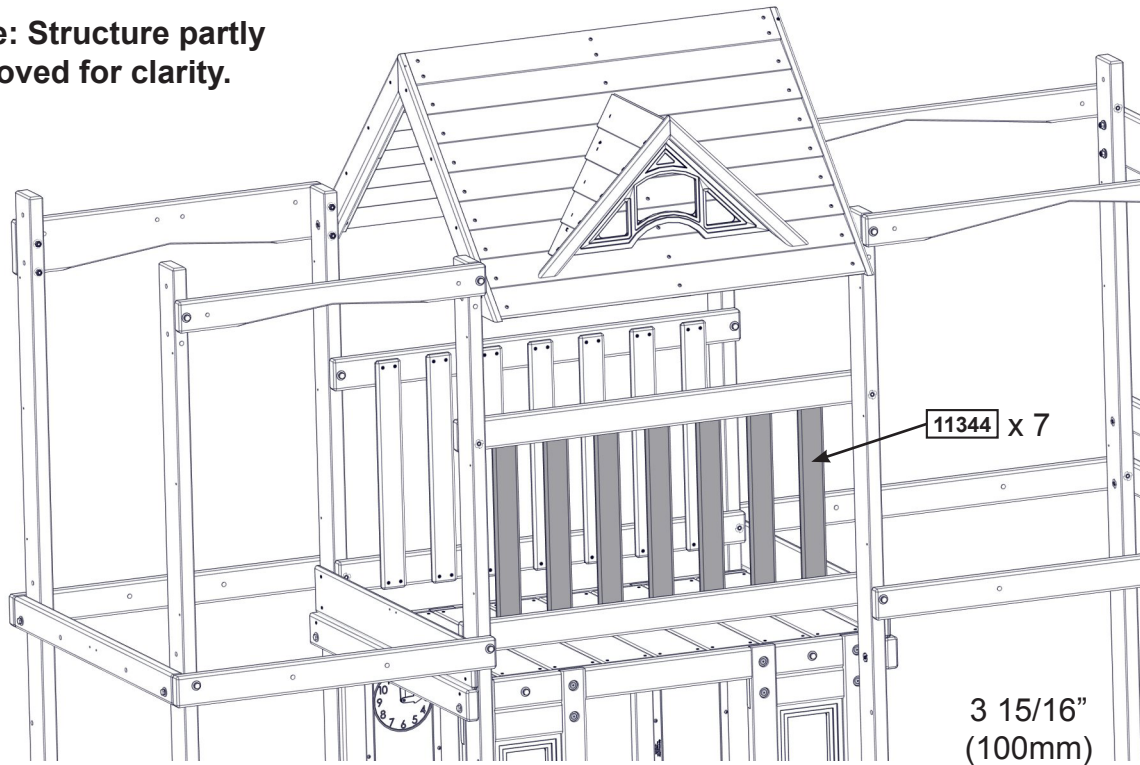


parts.kidkraft.com

customerservice@kidkraft.com  
1.800.933.0771  
972.385.0100

52

Note: Structure partly removed for clarity.



Rotated Interior View

**Wood Parts**

7 x 11344 15.9 mm x 63.5 mm x 558.8 mm (5/8" x 2 1/2" x 22")

**Hardware**

28 x S20 #8 x 34.9 mm (#8 x 1-3/8")

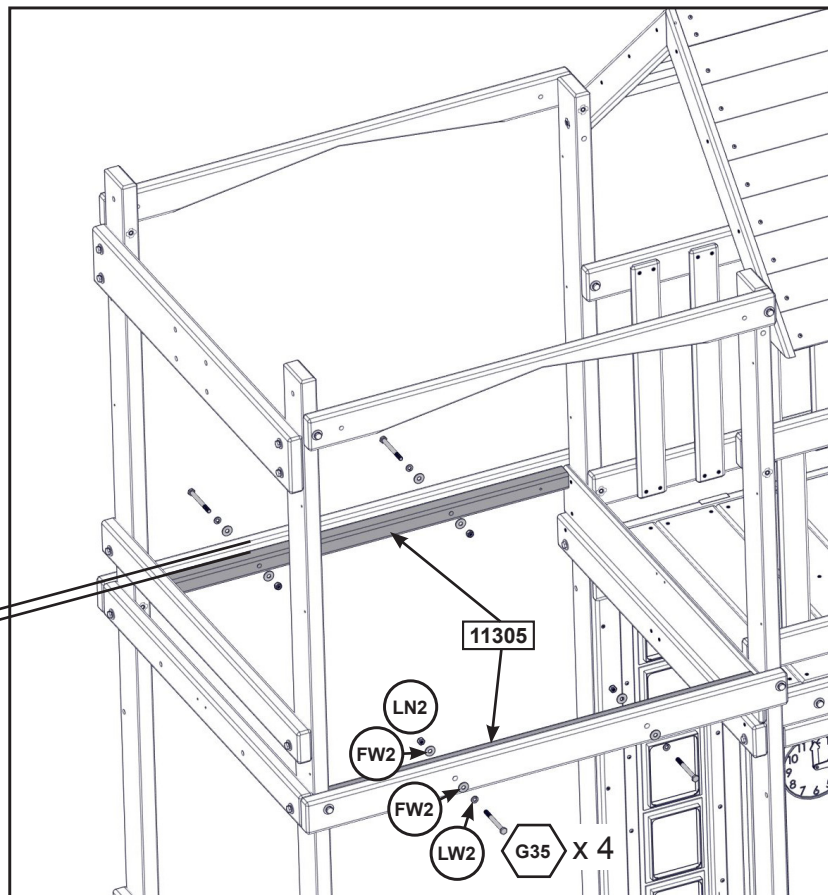
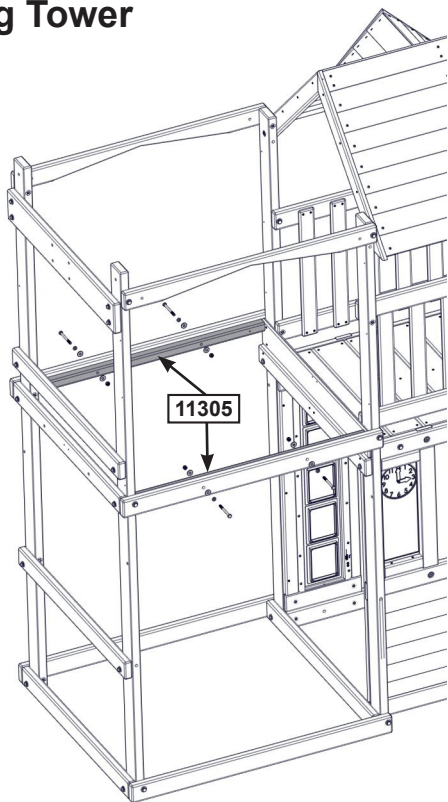
europecustomerservice@kidkraft.com  
 +31 20 305 8620  
 M-F from 09:00 to 17:30 (GMT+1)

parts.kidkraft.eu



53

# Swing Tower



5/8"  
(15.9mm)

### Wood Parts

2 x **11305** 38.1 mm x 38.1 mm x 965.2 mm (1 1/2" x 1 1/2" x 38")

### Hardware

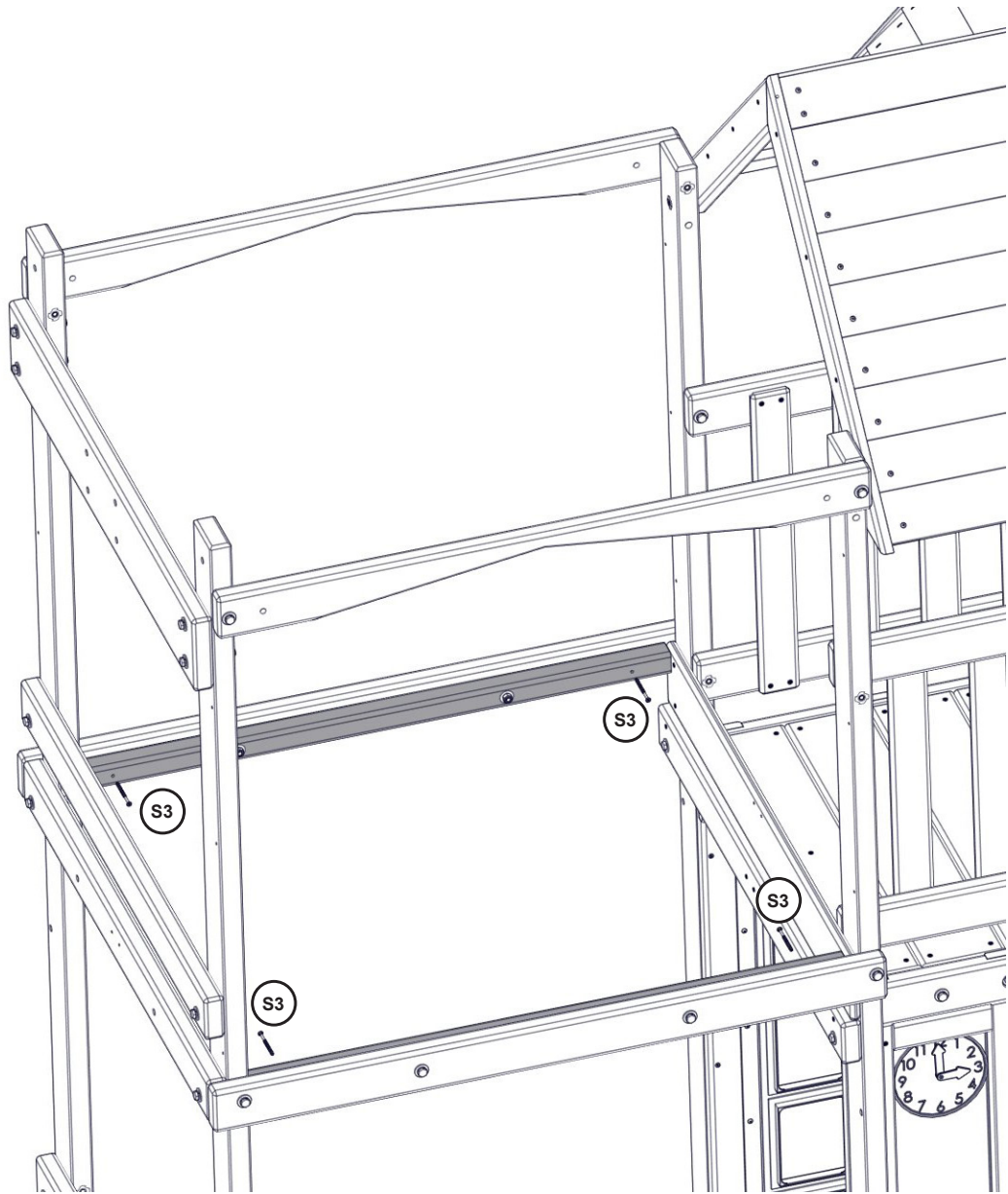
4 x **G35** 7.9 x 82.6 mm (5/16 x 3-1/4") (LW2, FW2 x 2, LN2)



parts.kidkraft.com

customerservice@kidkraft.com  
1.800.933.0771  
972.385.0100





**Hardware**

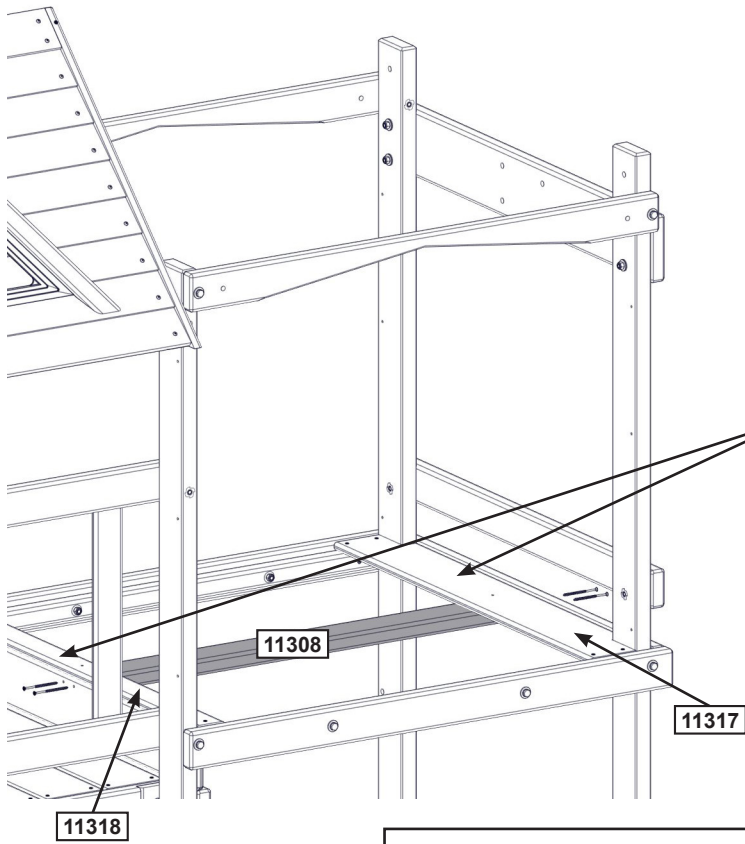
4 x **S3** #8 x 63.5 mm (#8 x 2-1/2")



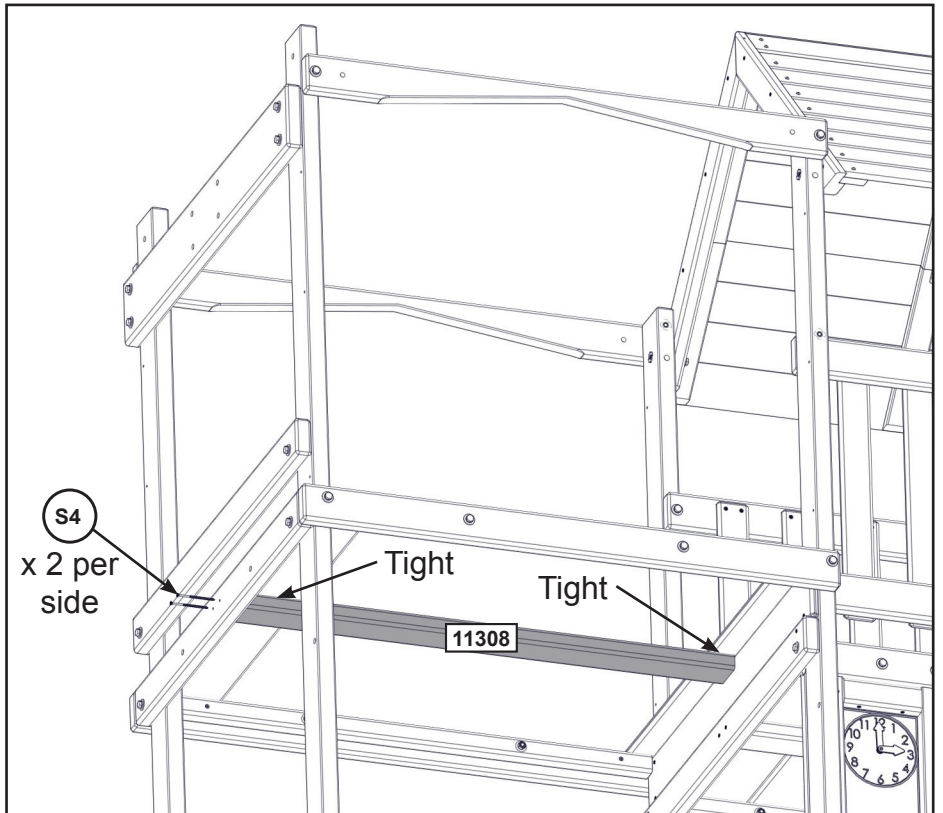


55

Note: Structure partly removed for clarity.



Do not attach, use for alignment only.



Underneath View

Wood Parts

- 1 x 11308 31.8 mm x 76.2 mm x 1009 mm (1 1/4" x 3" x 39 3/4")
- 1 x 11317 15.9 mm x 136.5 mm x 935.8 mm (5/8" x 5 3/8" x 36 13/16")
- 1 x 11318 15.9 mm x 63.5 mm x 935.8 mm (5/8" x 2 1/2" x 36 13/16")

Hardware

- 4 x S4 #8 x 76.2 mm (#8 x 3")

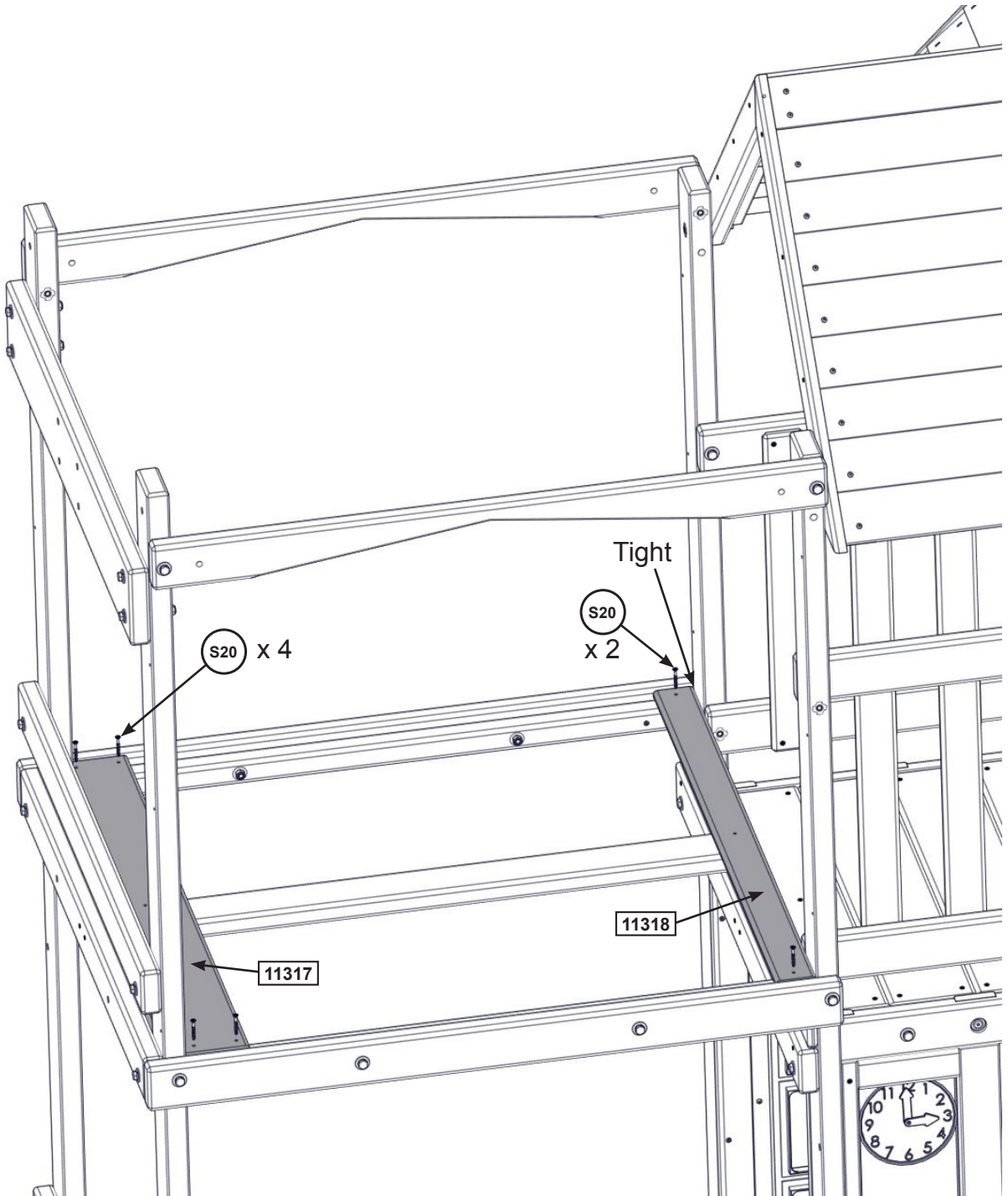


parts.kidkraft.com


customerservice@kidkraft.com  
1.800.933.0771  
972.385.0100



Note: Structure partly removed for clarity.



**Hardware**

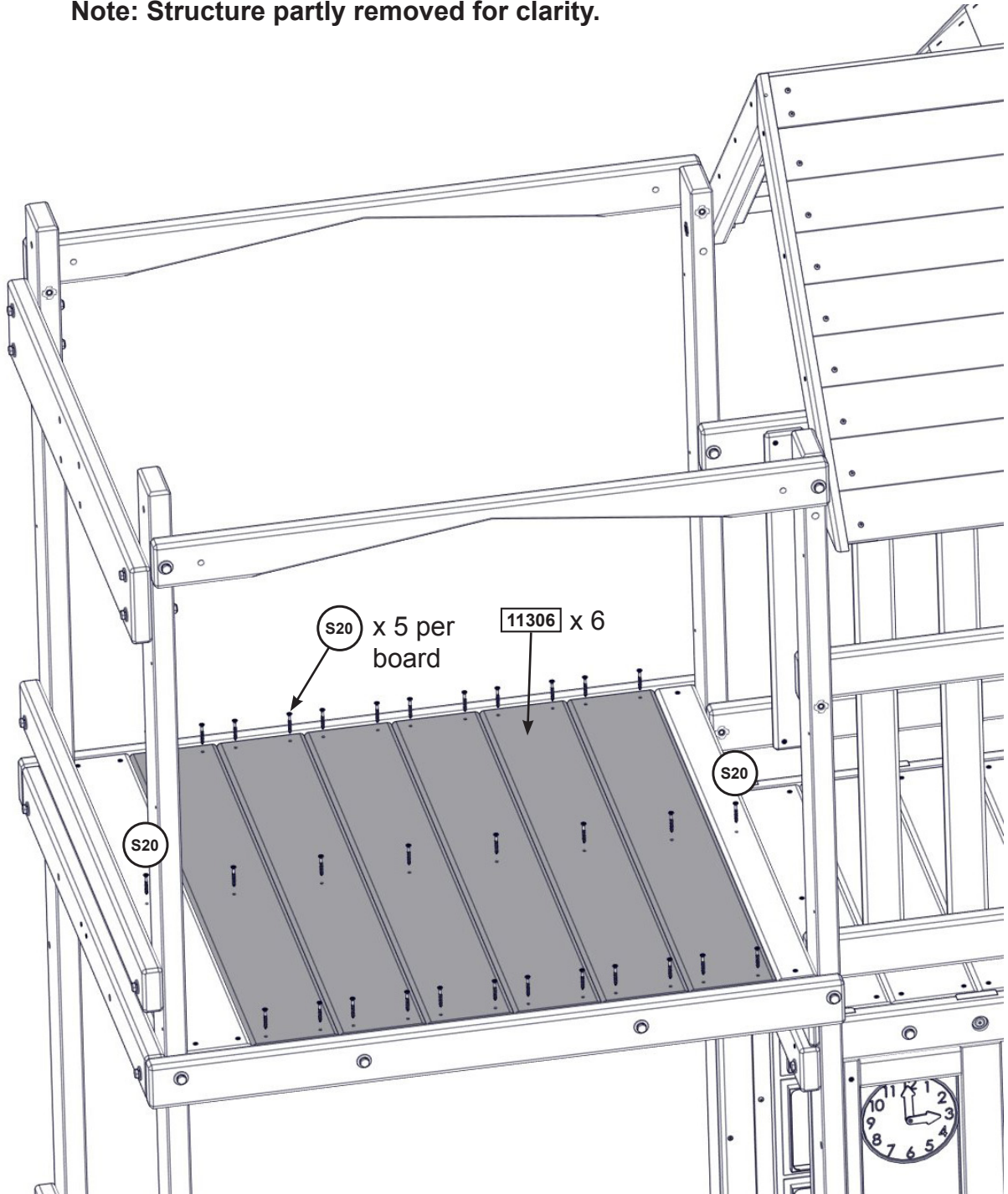
6 x  #8 x 34.9 mm (#8 x 1-3/8")





Evenly space the boards.

Note: Structure partly removed for clarity.



**Wood Parts**

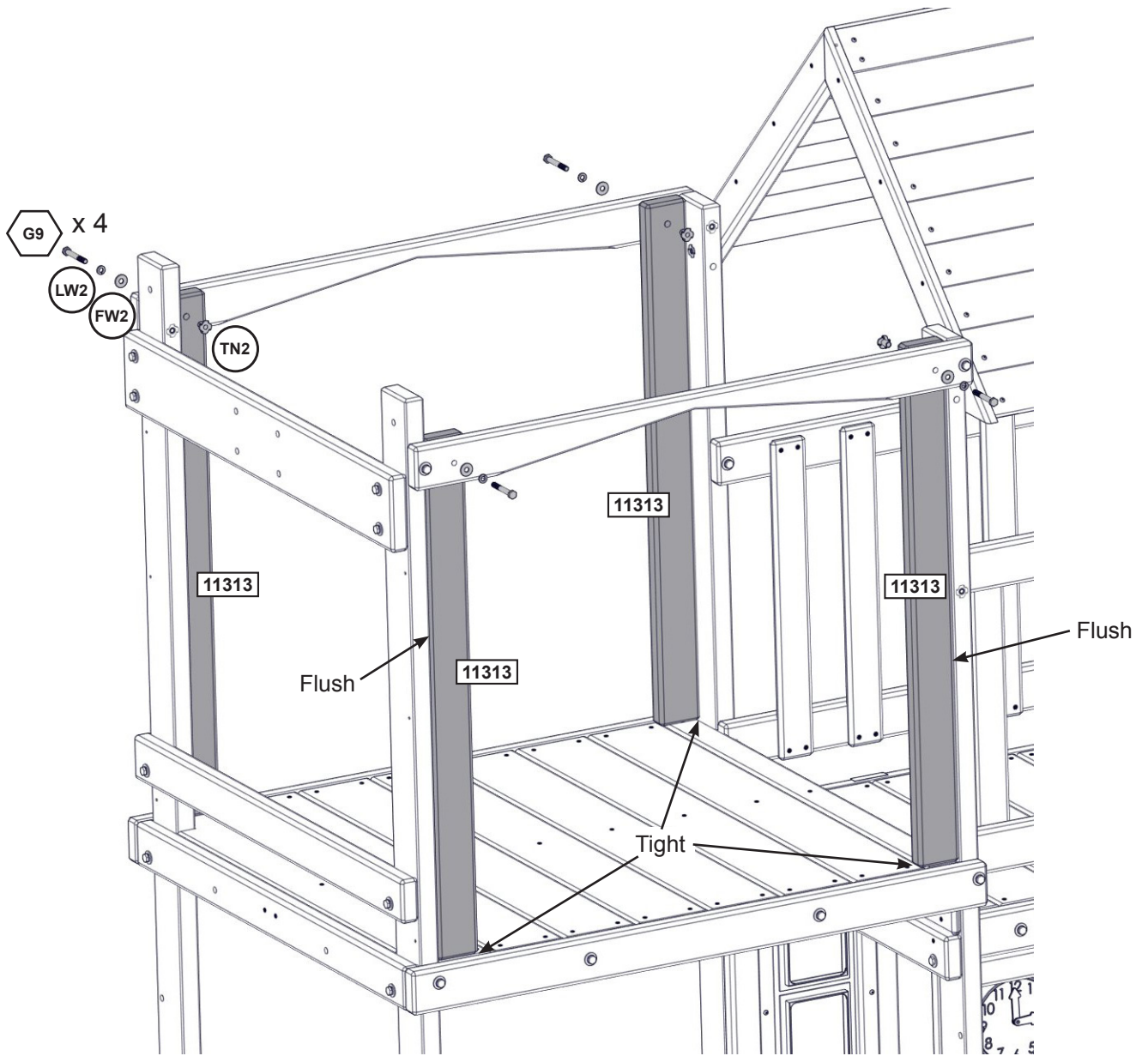
6 x 11306 15.9 mm x 136.5 mm x 935.8 mm (5/8" x 5 3/8" x 36 13/16")

**Hardware**

32 x S20 #8 x 34.9 mm (#8 x 1-3/8")



Assemble T-Nuts first with hammer!



**Note: Structure partly removed for clarity.**

**Wood Parts**

4 x **11313** 31.8 mm x 76.2 mm x 914.4 mm (1 1/4" x 3" x 36")

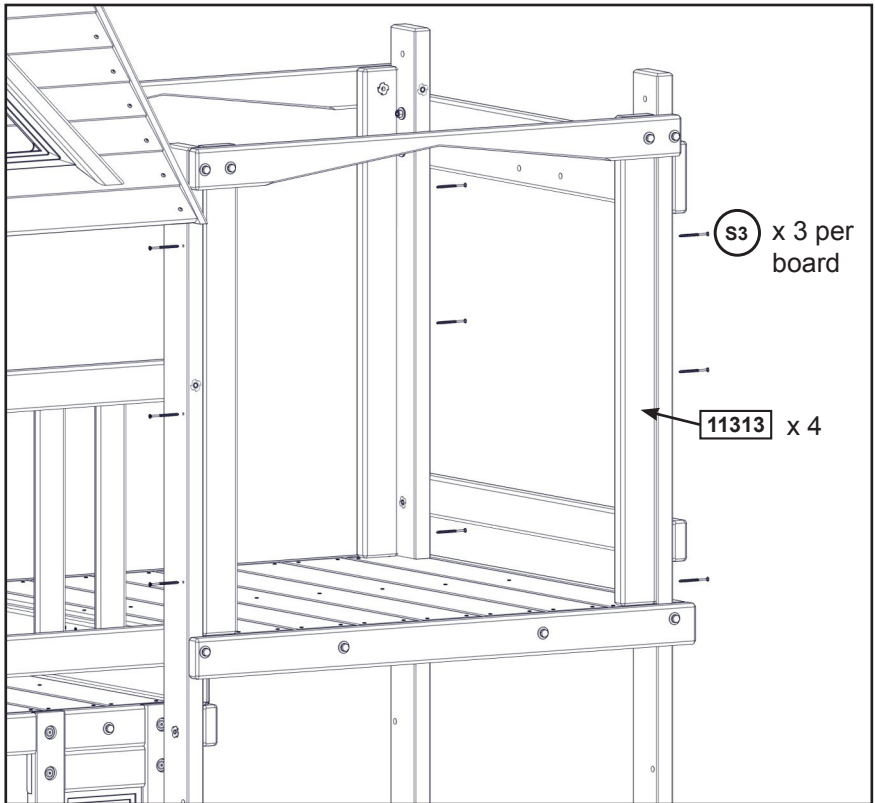
**Hardware**

4 x **G9** 7.9 x 63.5 mm (5/16 x 2-1/2") (LW2, FW2, TN2)



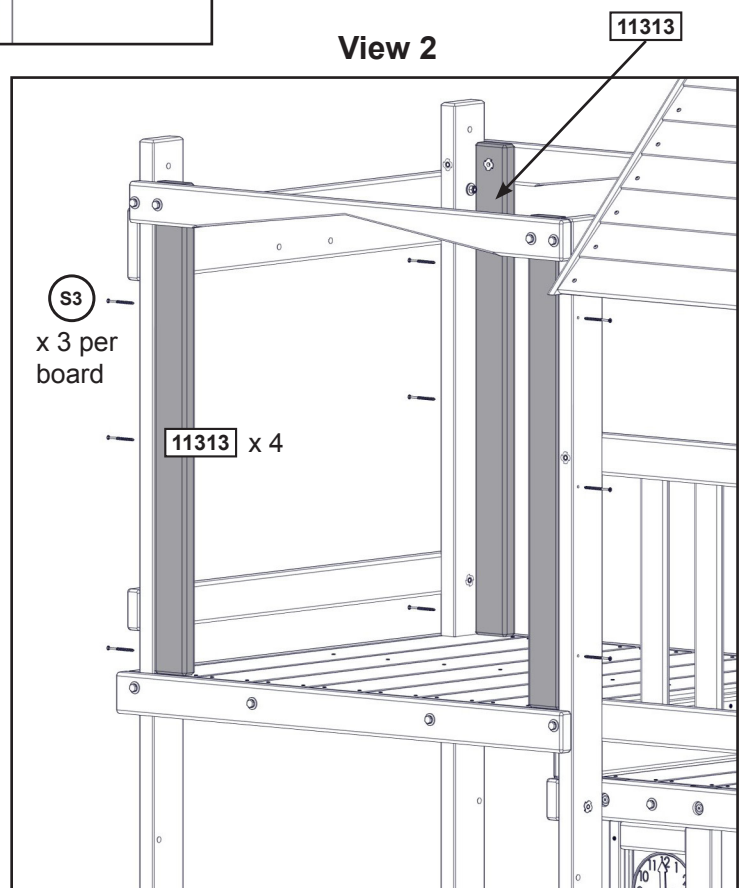


59



View 1

View 2



**Hardware**

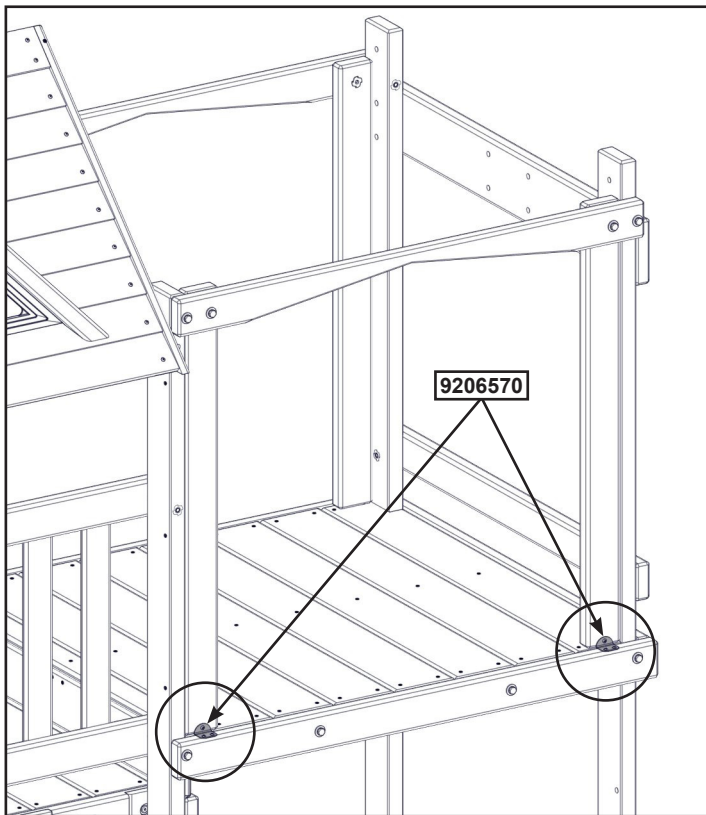
12 x **S3** #8 x 63.5 mm (#8 x 2-1/2")



parts.kidkraft.com

customerservice@kidkraft.com  
1.800.933.0771  
972.385.0100

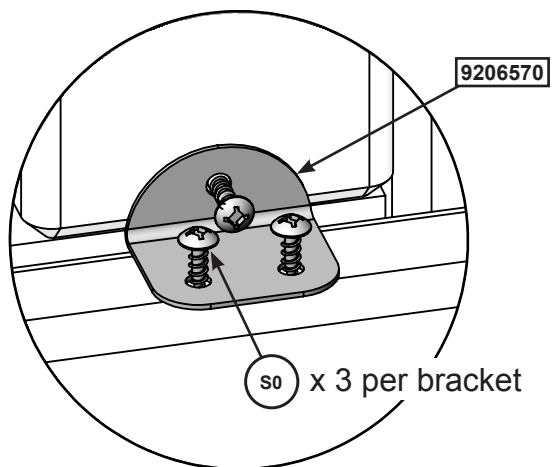
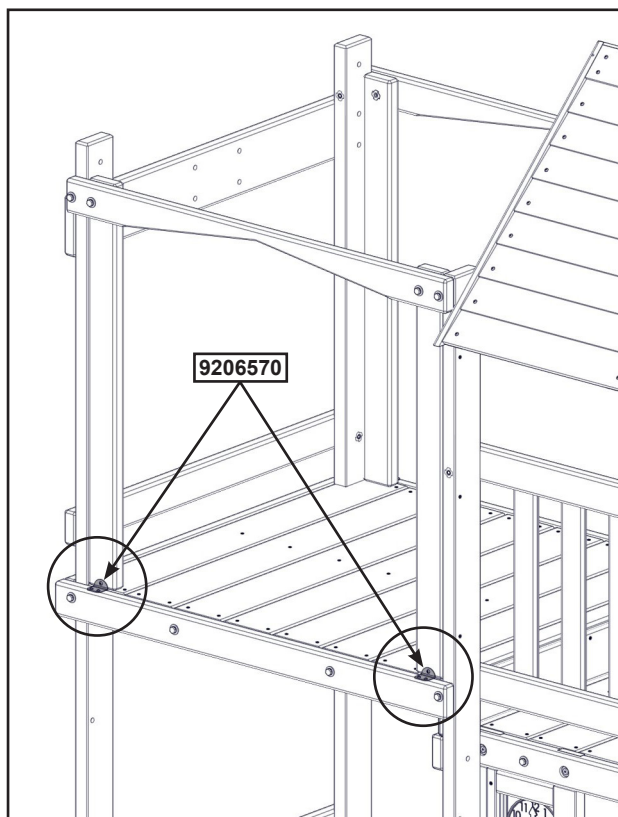
60



View 1

Note: Structure partly removed for clarity.

View 2



**Hardware**

12 x **S0** #8 x 22.2 mm (#8 x 7/8")

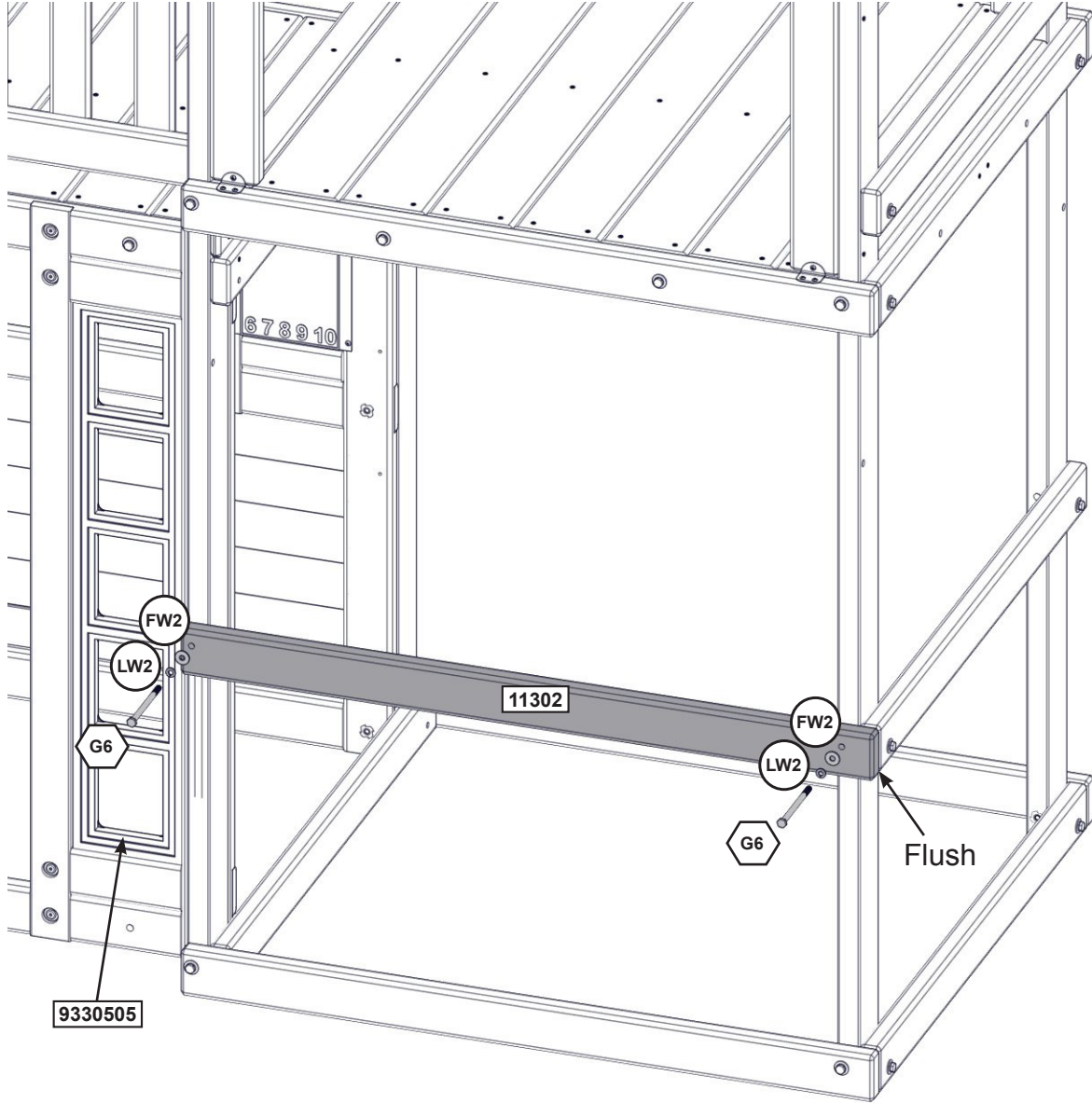
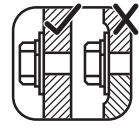
**Other Parts**

4 x **9206570**





Note hole orientation.



**Wood Parts**

1 x 11302 31.8 mm x 76.2 mm x 1092.2 mm (1 1/4" x 3" x 43")

**Hardware**

2 x G6 7.9 x 120.7 mm (5/16 x 4-3/4") (LW2, FW2)



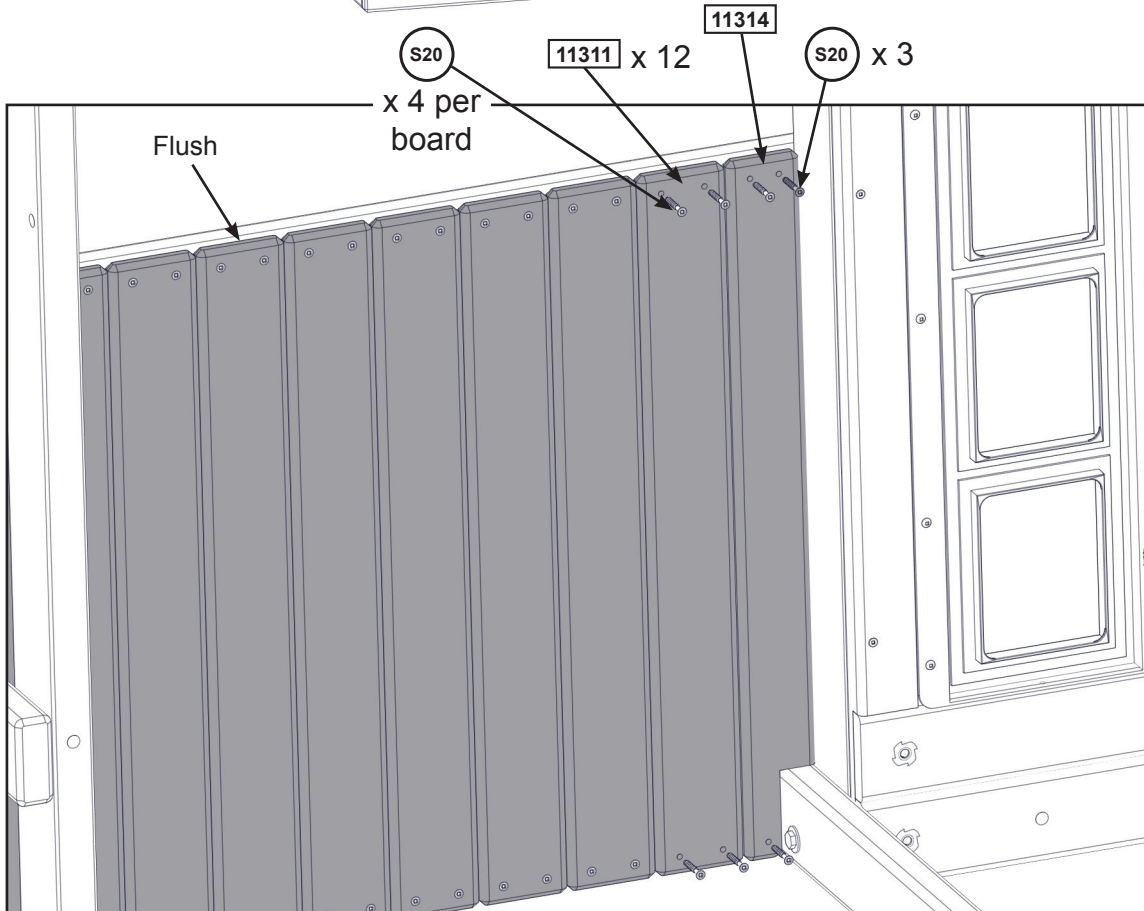
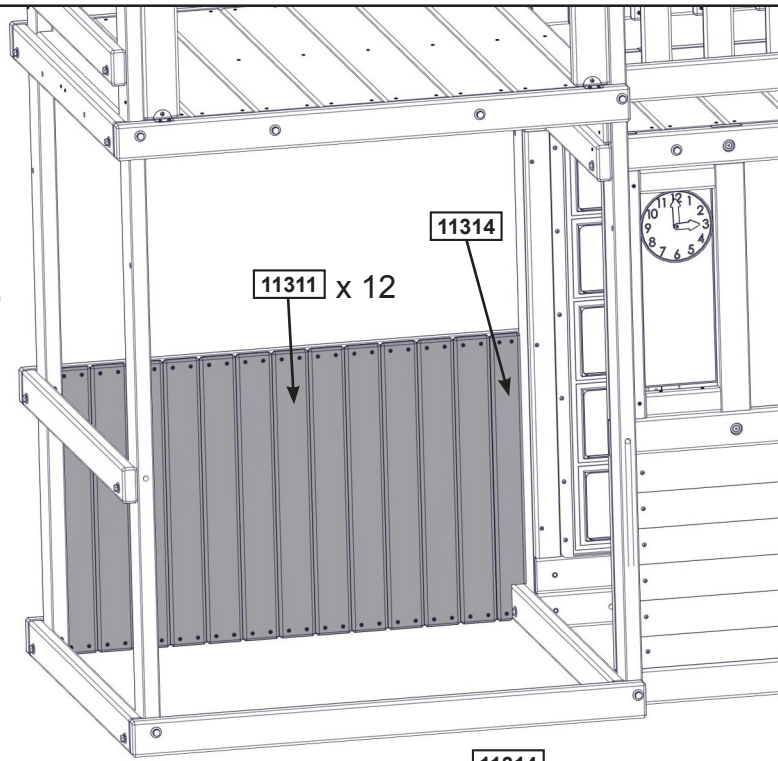
parts.kidkraft.com

customerservice@kidkraft.com  
1.800.933.0771  
972.385.0100



Evenly space the boards.

Note: Structure partly removed for clarity.



**Wood Parts**

- 12 x **11311** 15.9 mm x 76.2 mm x 609.6 mm (5/8" x 3" x 24")
- 1 x **11314** 15.9 mm x 63.5 mm x 609.6 mm (5/8" x 2 1/2" x 24")

**Hardware**

- 51 x **S20** #8 x 34.9 mm (#8 x 1-3/8")

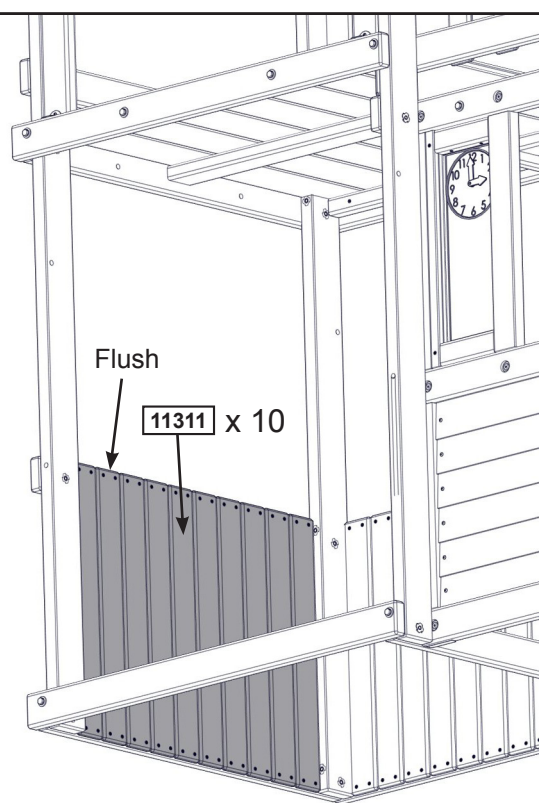




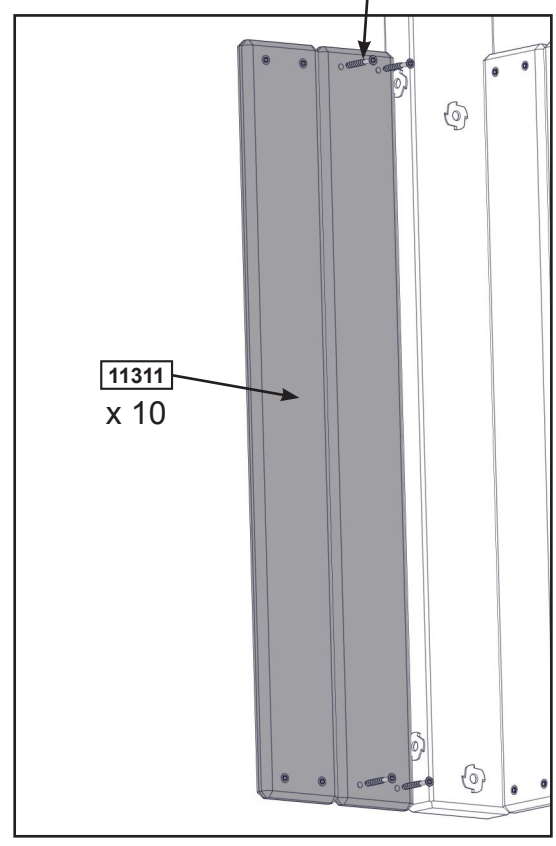


Evenly space the boards.

Note: Structure partly removed for clarity.



S20 x 4 per board



**Wood Parts**

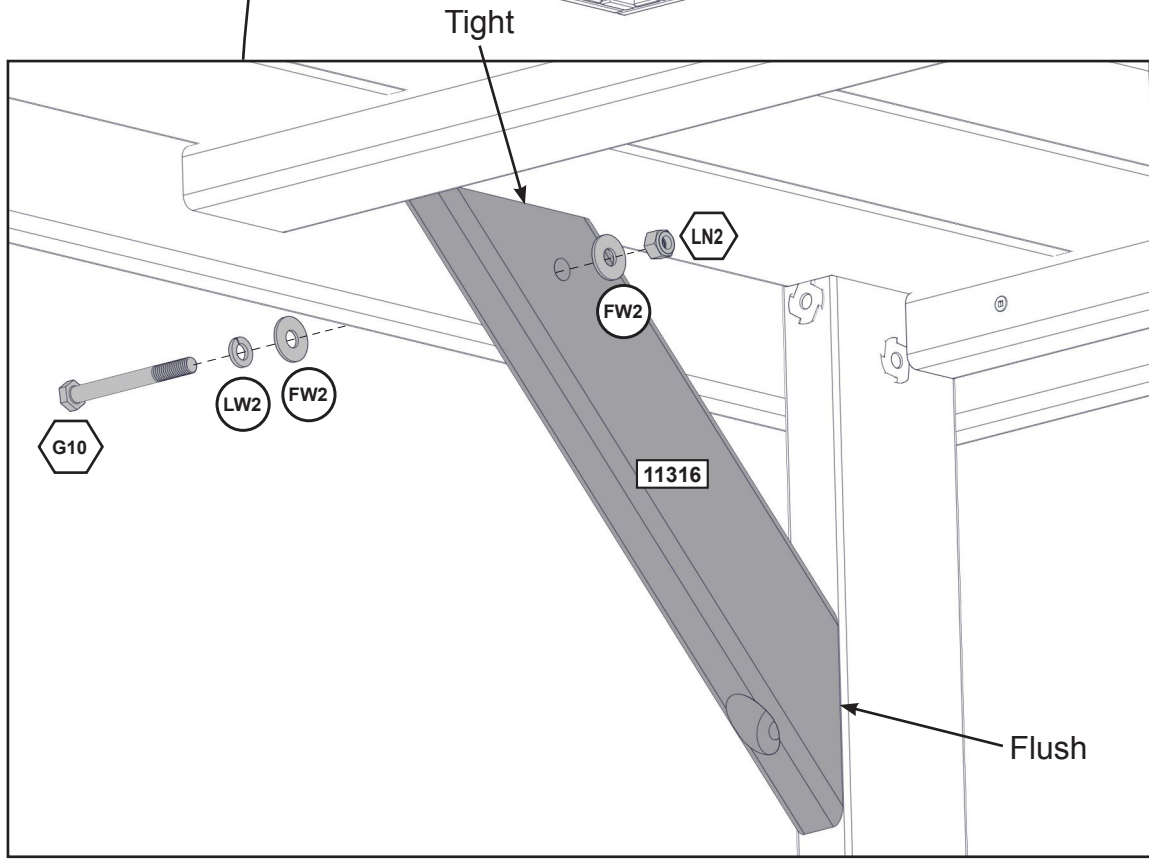
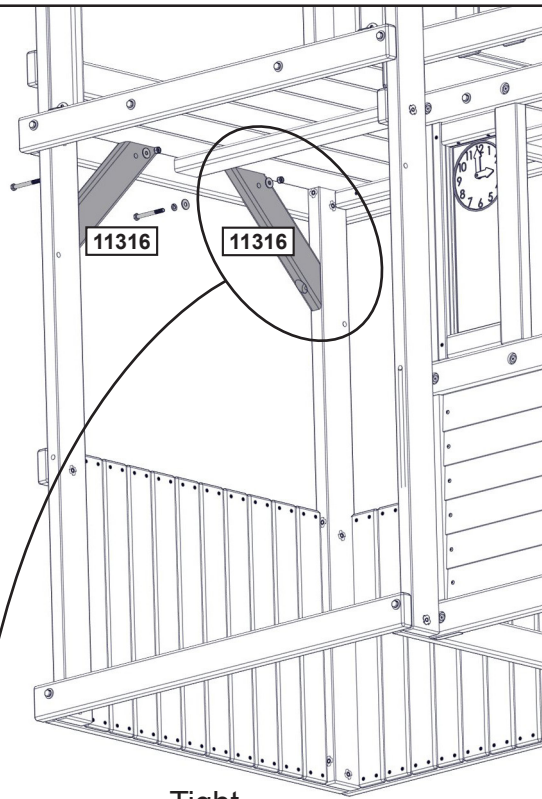
10 x 11311 15.9 mm x 76.2 mm x 609.6 mm (5/8" x 3" x 24")

**Hardware**

40 x S20 #8 x 34.9 mm (#8 x 1-3/8")



Note: Structure partly removed for clarity.



Underneath View

**Wood Parts**

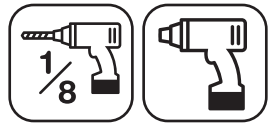
2 x 11316 31.8 mm x 76.2 mm x 384.1 mm (1 1/4" x 3" x 15 1/8")

**Hardware**

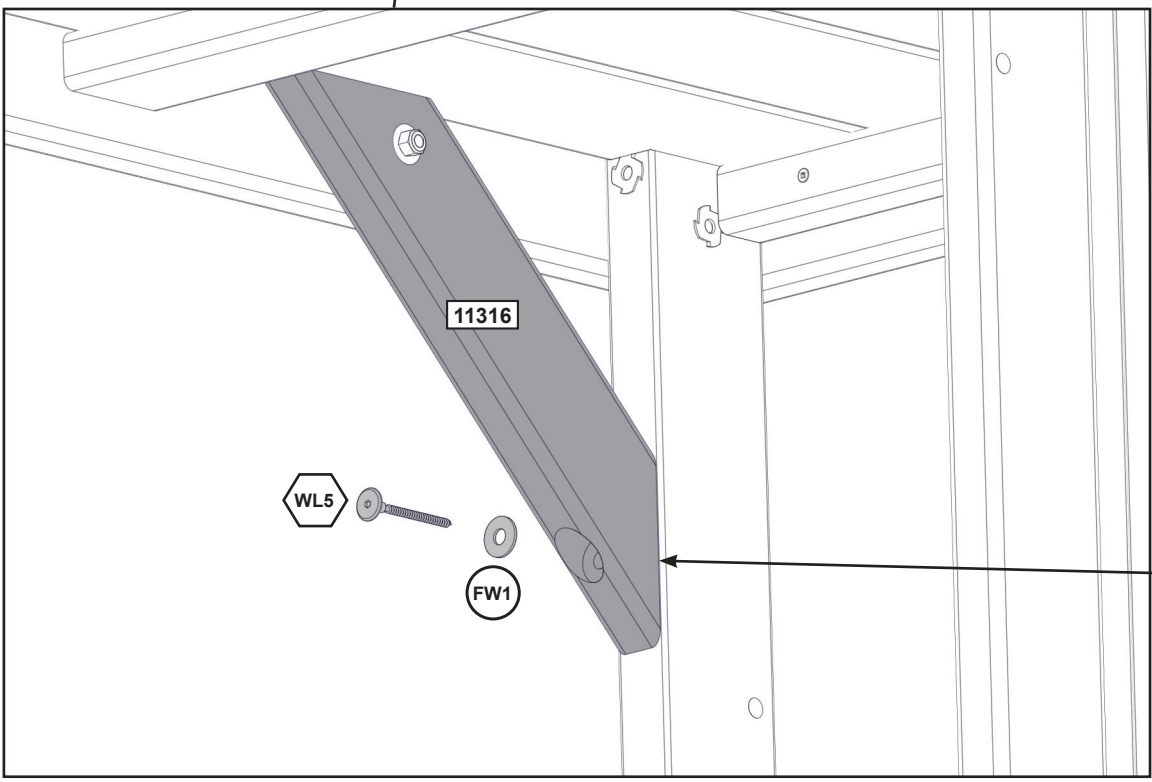
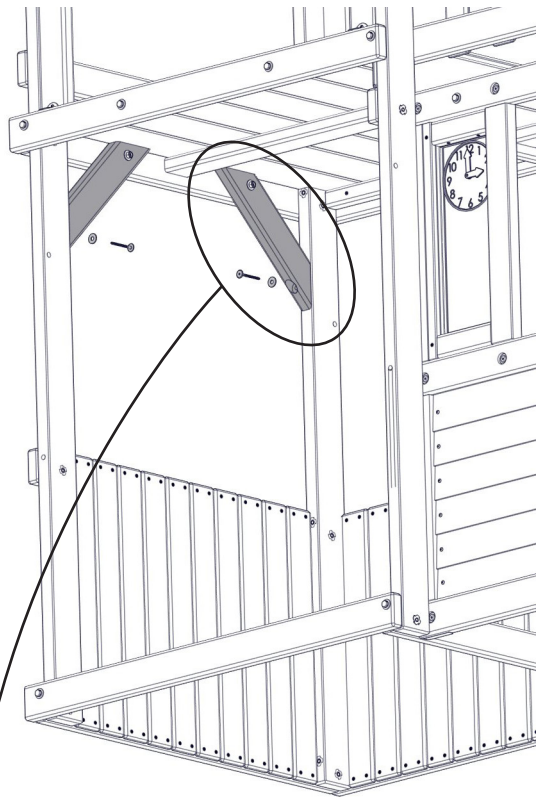
2 x G10 7.9 x 76.2 mm (5/16 x 3") (FW2 x 2, LW2, LN2)



65



Note: Structure partly removed for clarity.



Pre-drill each hole using a 1/8" drill bit for WL5.

Underneath View

Hardware

2 x  6.4 x 63.5 mm (1/4 x 2-1/2") (FW1)

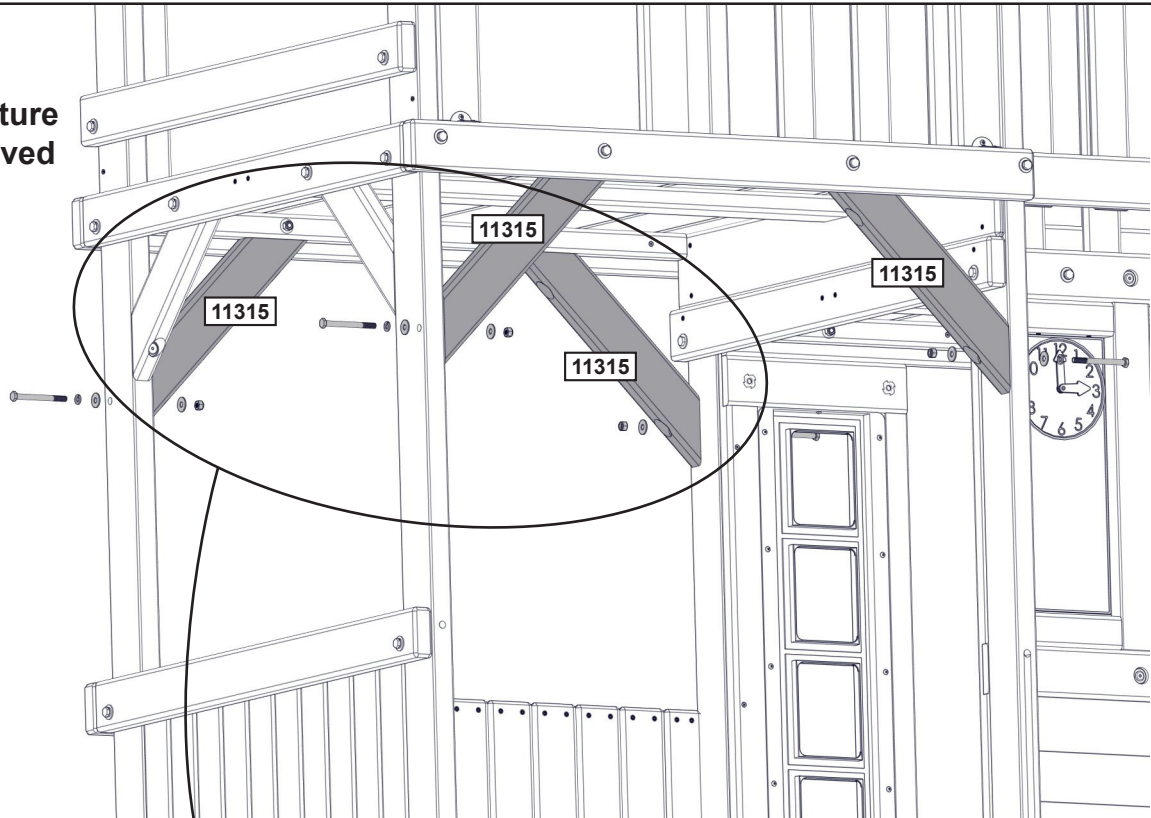


parts.kidkraft.com

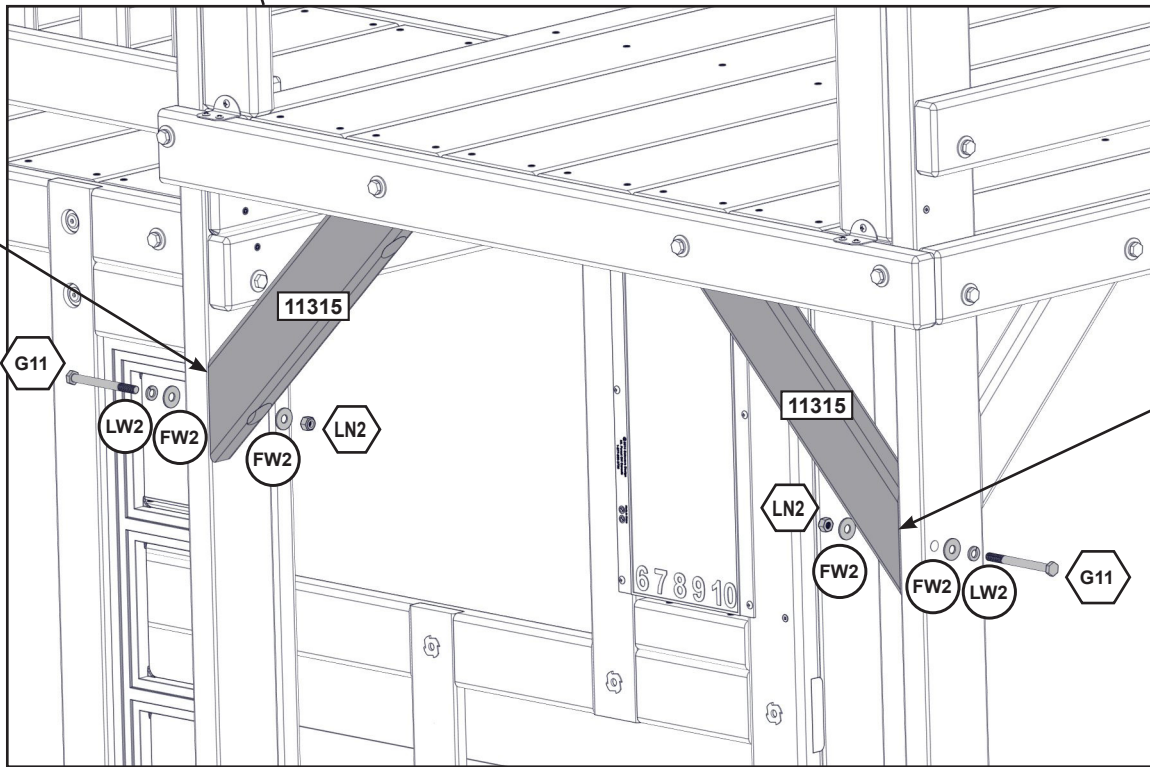
customerservice@kidkraft.com  
1.800.933.0771  
972.385.0100

66

Note: Structure partly removed for clarity.



Underneath View



Rotated and Underneath View

Flush

Tight

**Wood Parts**

4 x **11315** 31.8 mm x 76.2 mm x 442 mm (1 1/4" x 3" x 17 3/8")

**Hardware**

4 x **G11** 7.9 x 88.9 mm (5/16 x 3-1/2") (LW2, FW2 x 2, LN2)

europecustomerservice@kidkraft.com  
+31 20 305 8620  
M-F from 09:00 to 17:30 (GMT+1)

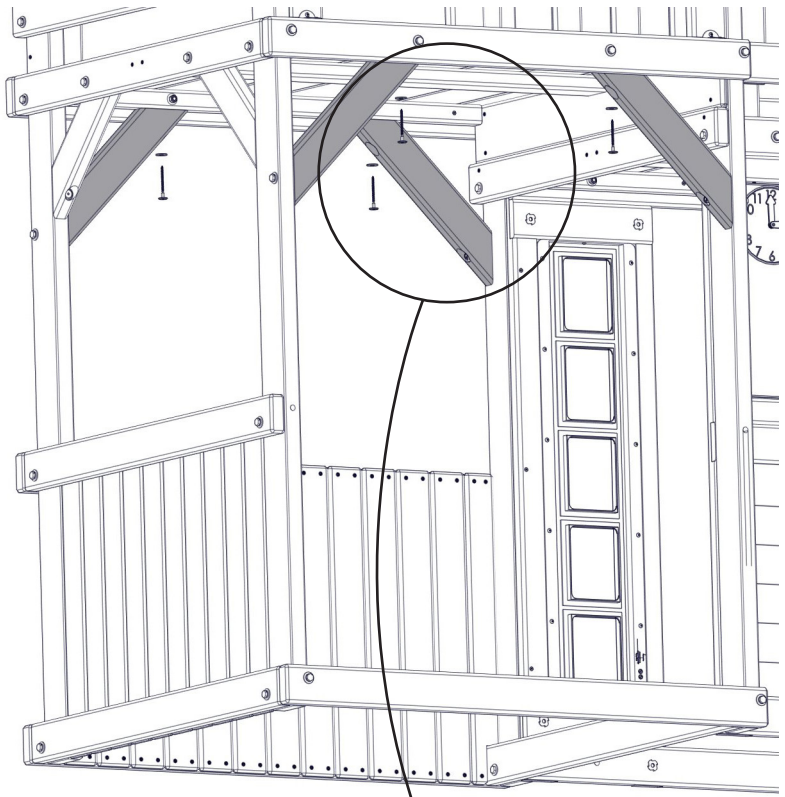
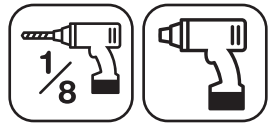
parts.kidkraft.eu



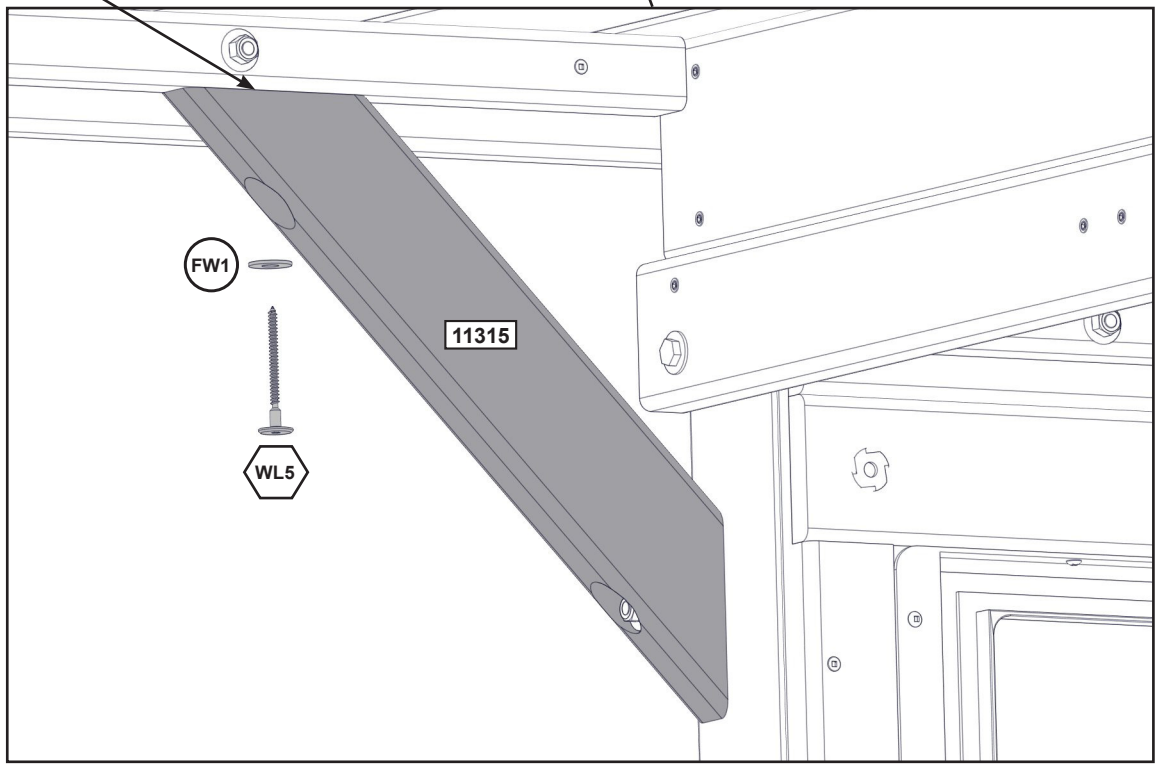


67

Note: Structure partly removed for clarity.



Pre-drill each hole using a 1/8" drill bit for WL5.



Underneath View

Hardware

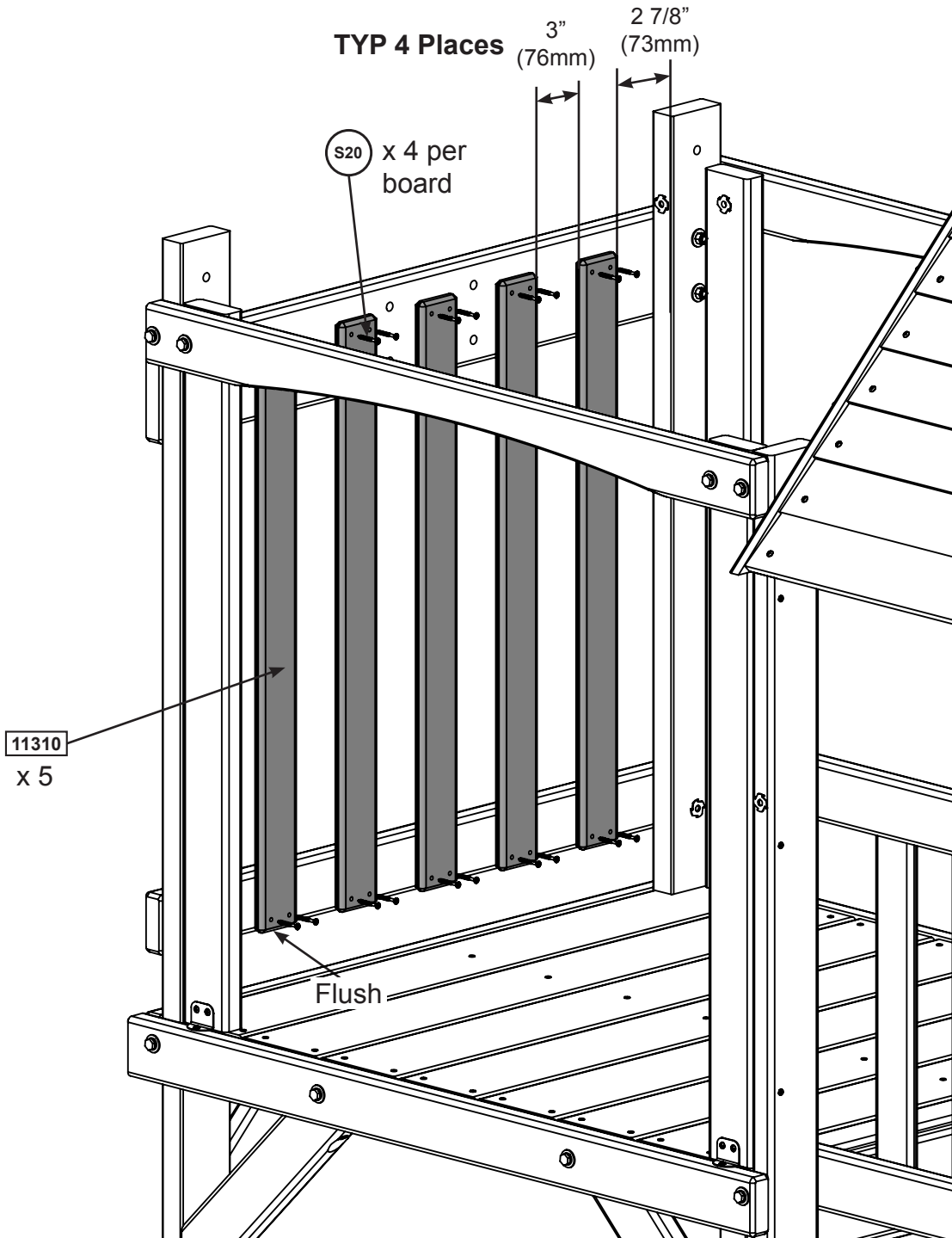
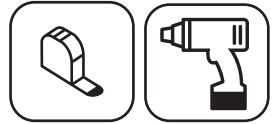
4 x  6.4 x 63.5 mm (1/4 x 2-1/2") (FW1)



parts.kidkraft.com

customerservice@kidkraft.com  
1.800.933.0771  
972.385.0100

Note: Structure partly removed for clarity.



**Wood Parts**

5 x 11310 15.9 mm x 63.5 mm x 750.6 mm (5/8" x 2 1/2" x 29 9/16")

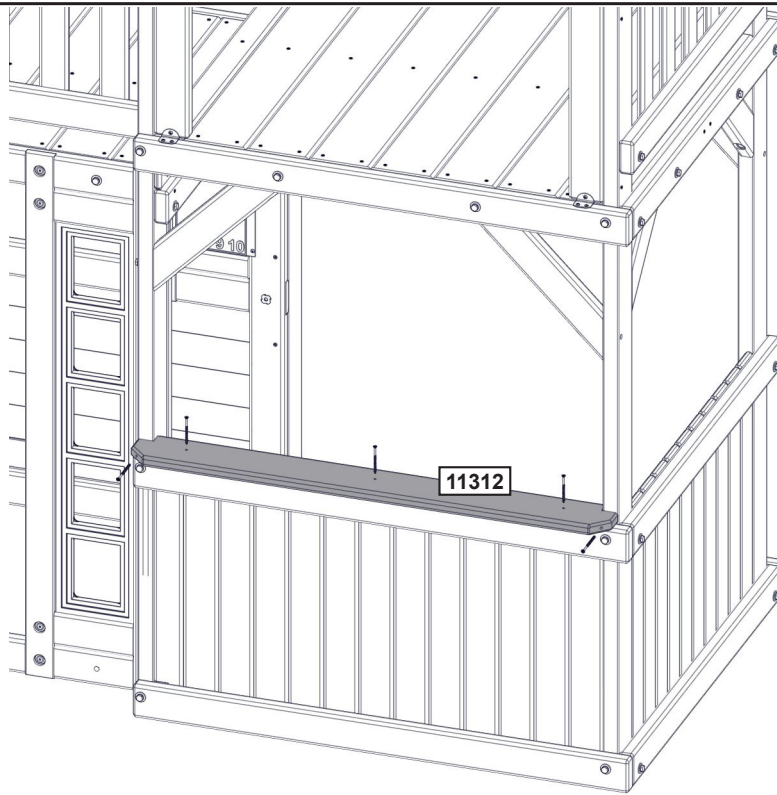
**Hardware**

20 x S20 #8 x 34.9 mm (#8 x 1-3/8")

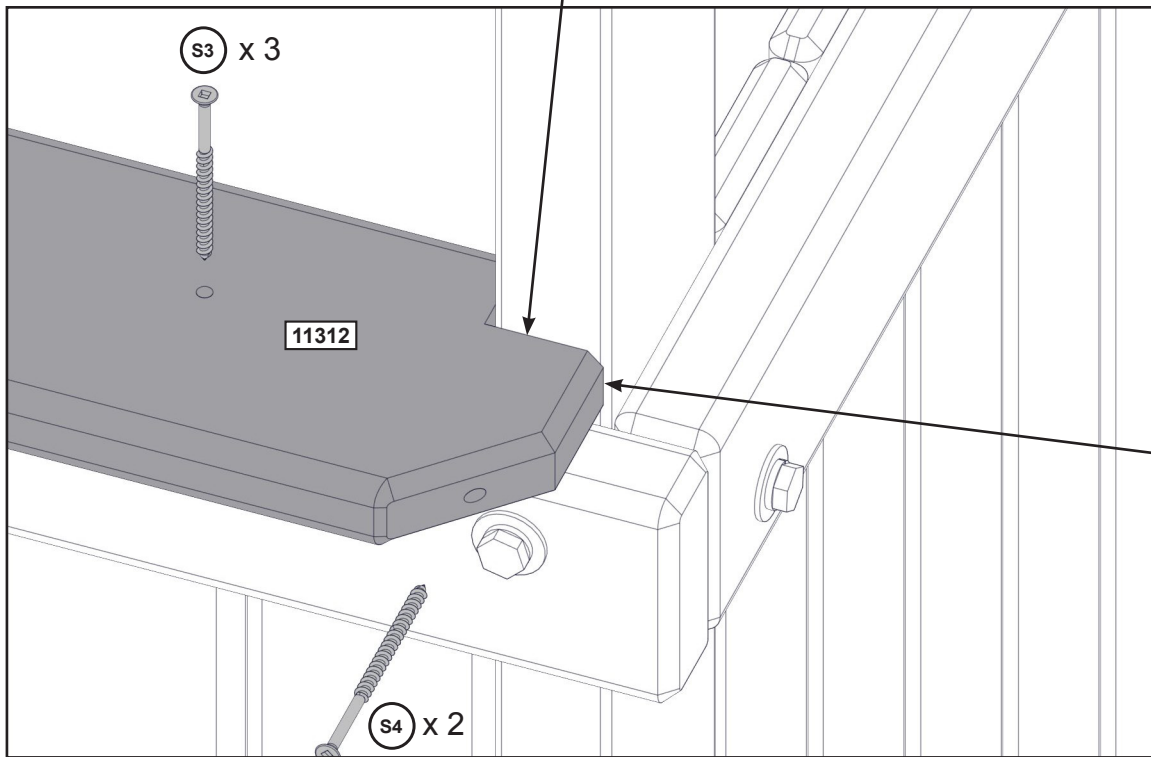




Note: Structure partly removed for clarity.



Tight



Flush

**Wood Parts**

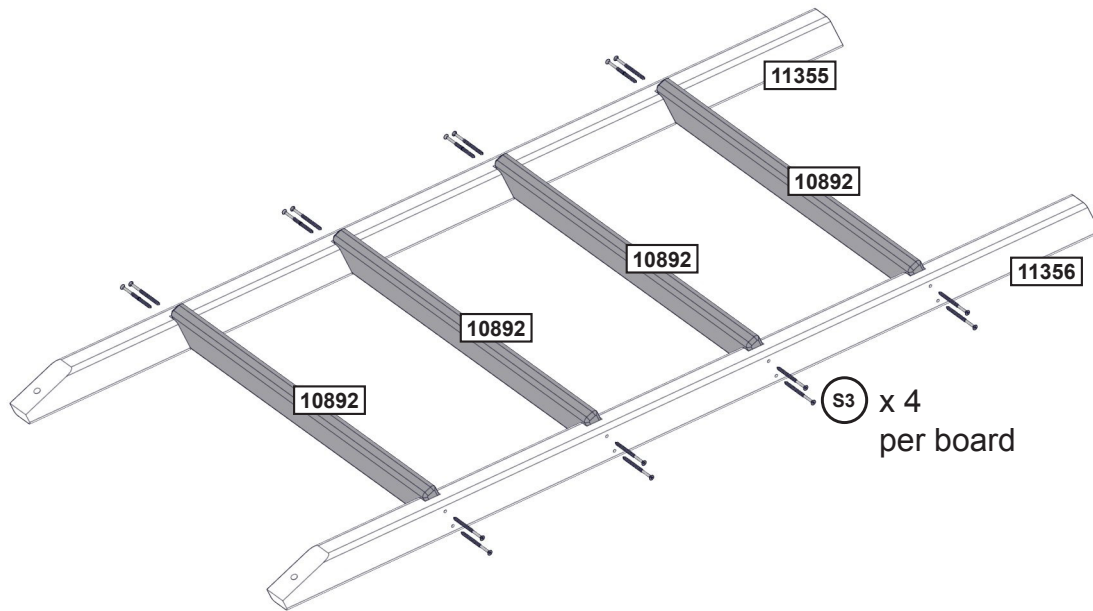
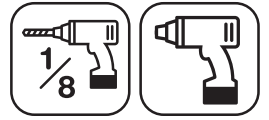
1 x 11312 23.8 mm x 108 mm x 1059.8 mm (15/16" x 4 1/4" x 41 3/4")

**Hardware**

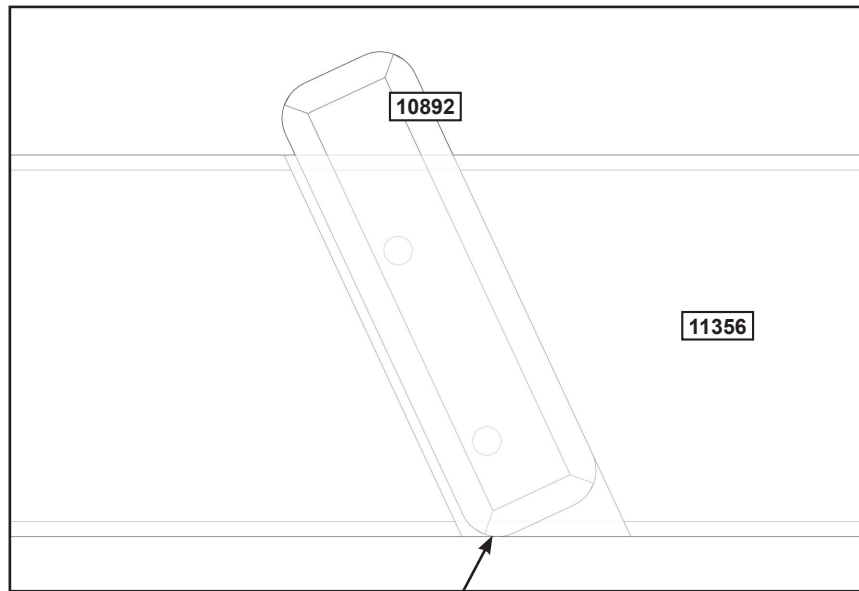
3 x S3 #8 x 63.5 mm (#8 x 2-1/2")

2 x S4 #8 x 76.2 mm (#8 x 3")

Pre-drill holes using a 1/8" drill bit.



End View



Flush to edges

**Wood Parts**

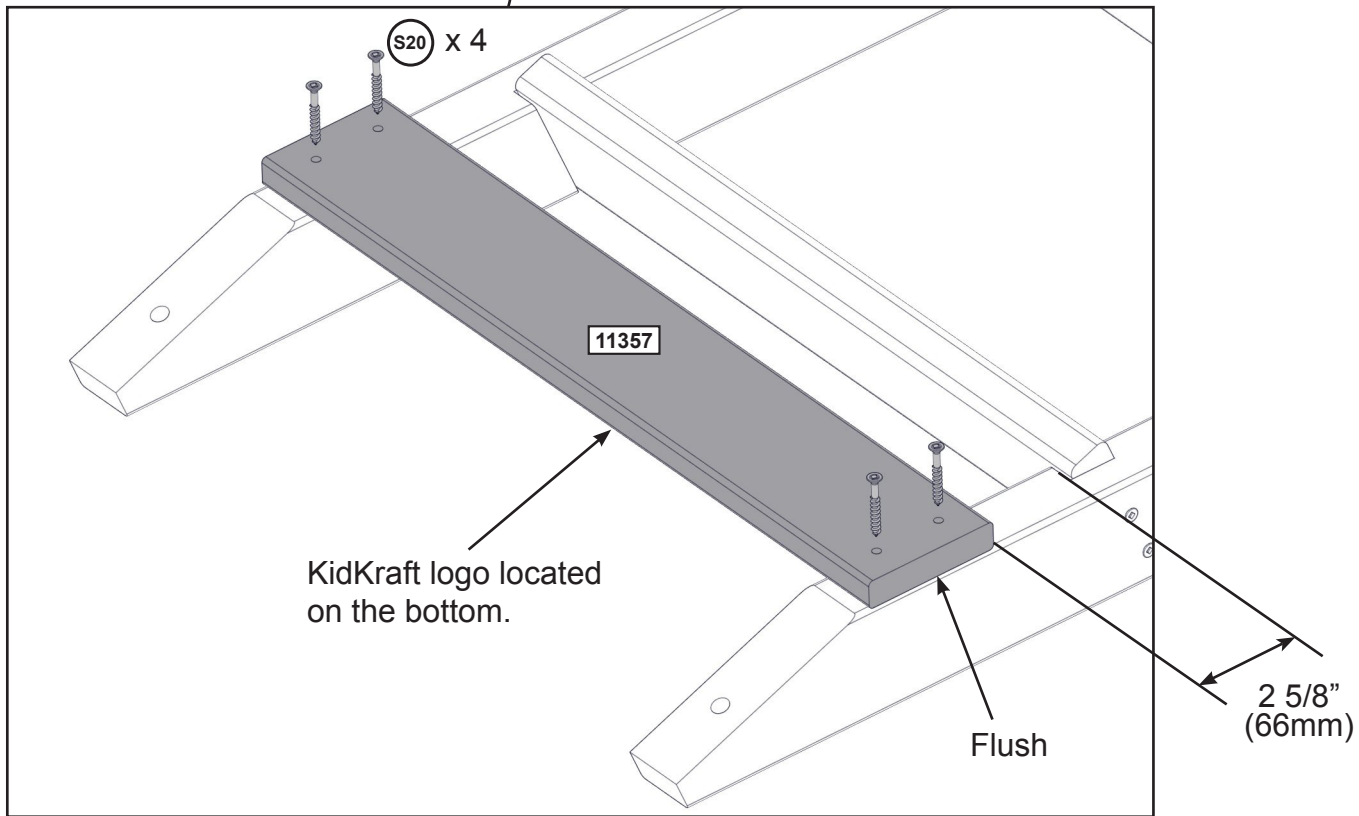
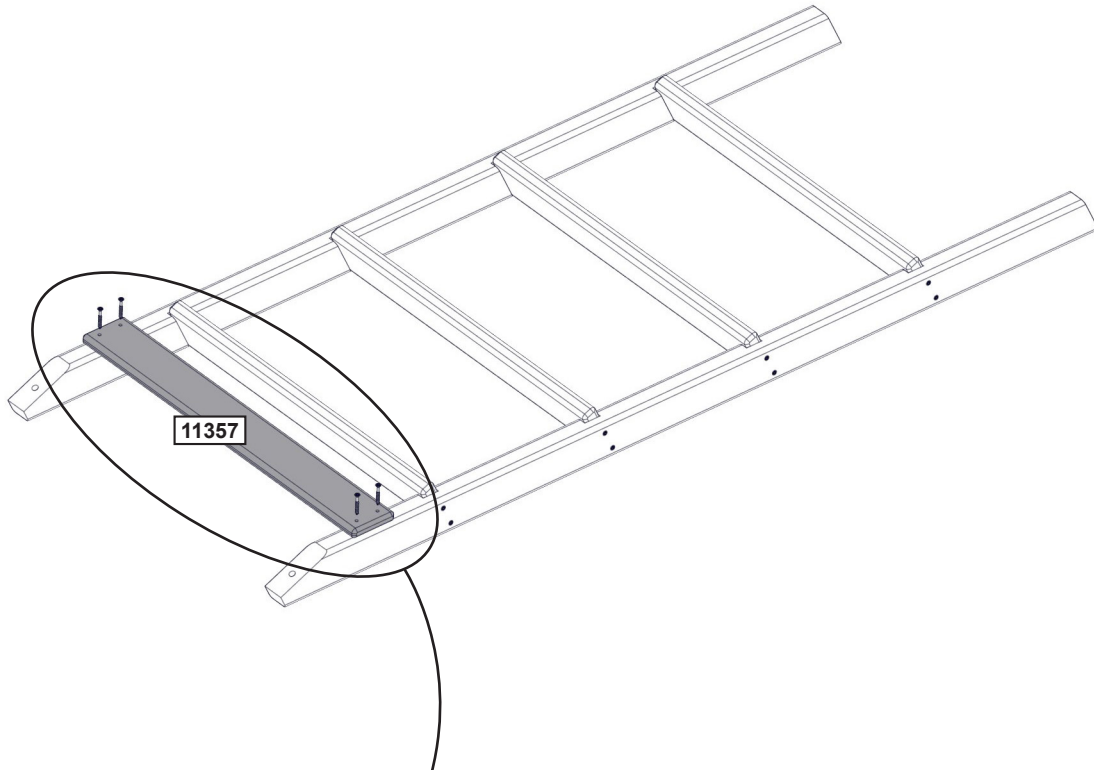
- 1 x 11355 34.9 mm x 63.5 mm x 1490 mm (1 3/8" x 2 1/2" x 58 11/16")
- 1 x 11356 34.9 mm x 63.5 mm x 1490 mm (1 3/8" x 2 1/2" x 58 11/16")
- 4 x 10892 23.8 mm x 82.6 mm x 539.8 mm (15/16" x 3 1/4" x 21 1/4")

**Hardware**

- 16 x S3 #8 x 63.5 mm (#8 x 2-1/2")





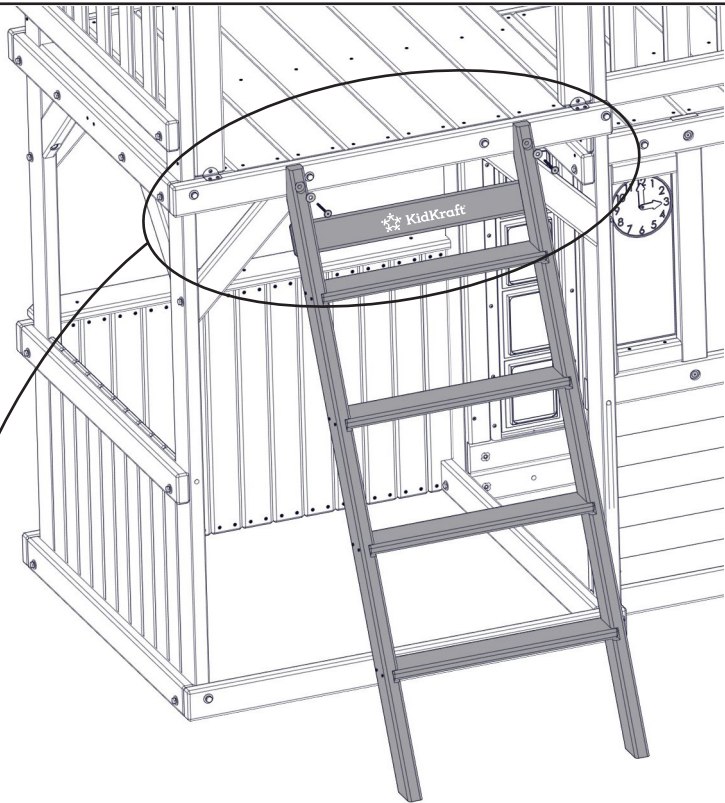


**Wood Parts**

1 x 11357 15.9 mm x 76.2 mm x 577.8 mm (5/8" x 3" x 22 3/4")

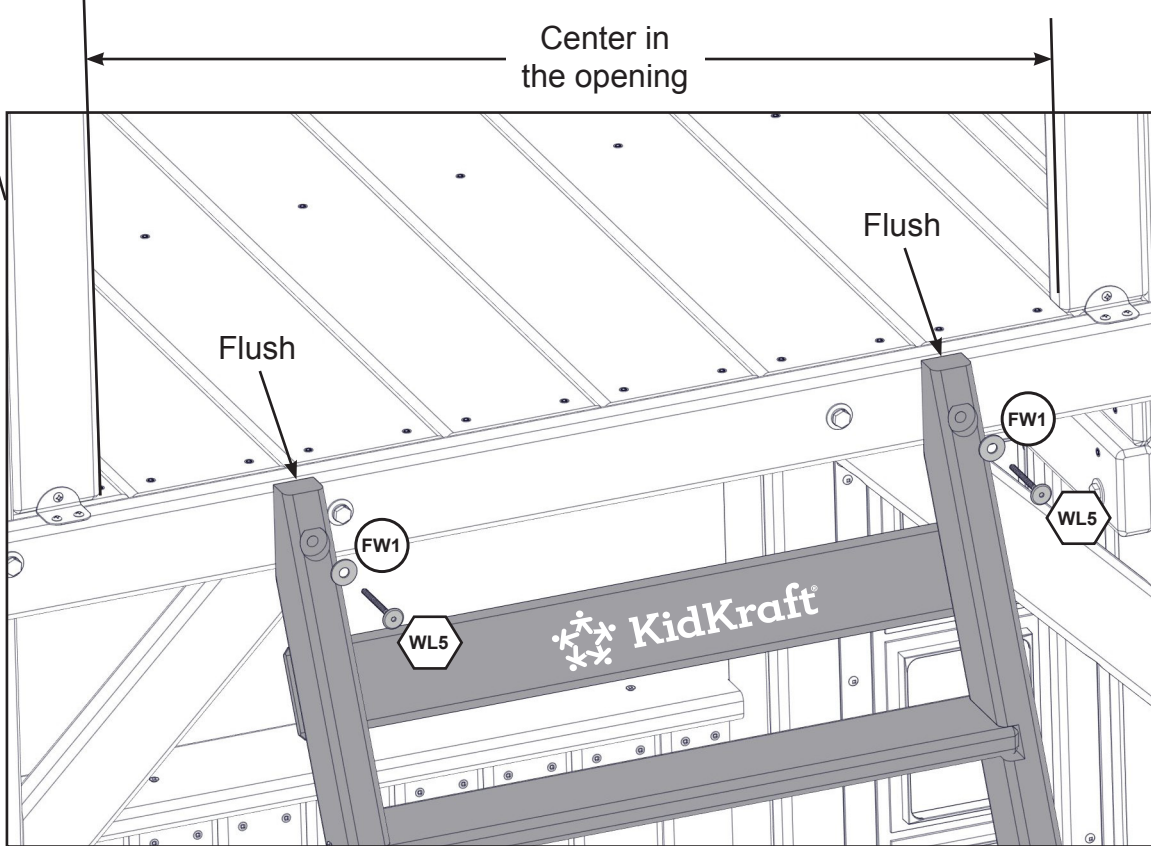
**Hardware**

4 x S20 #8 x 34.9 mm (#8 x 1-3/8")



Pre-drill each hole using a 1/8" drill bit for WL5.

Note: Structure partly removed for clarity.



**Hardware**

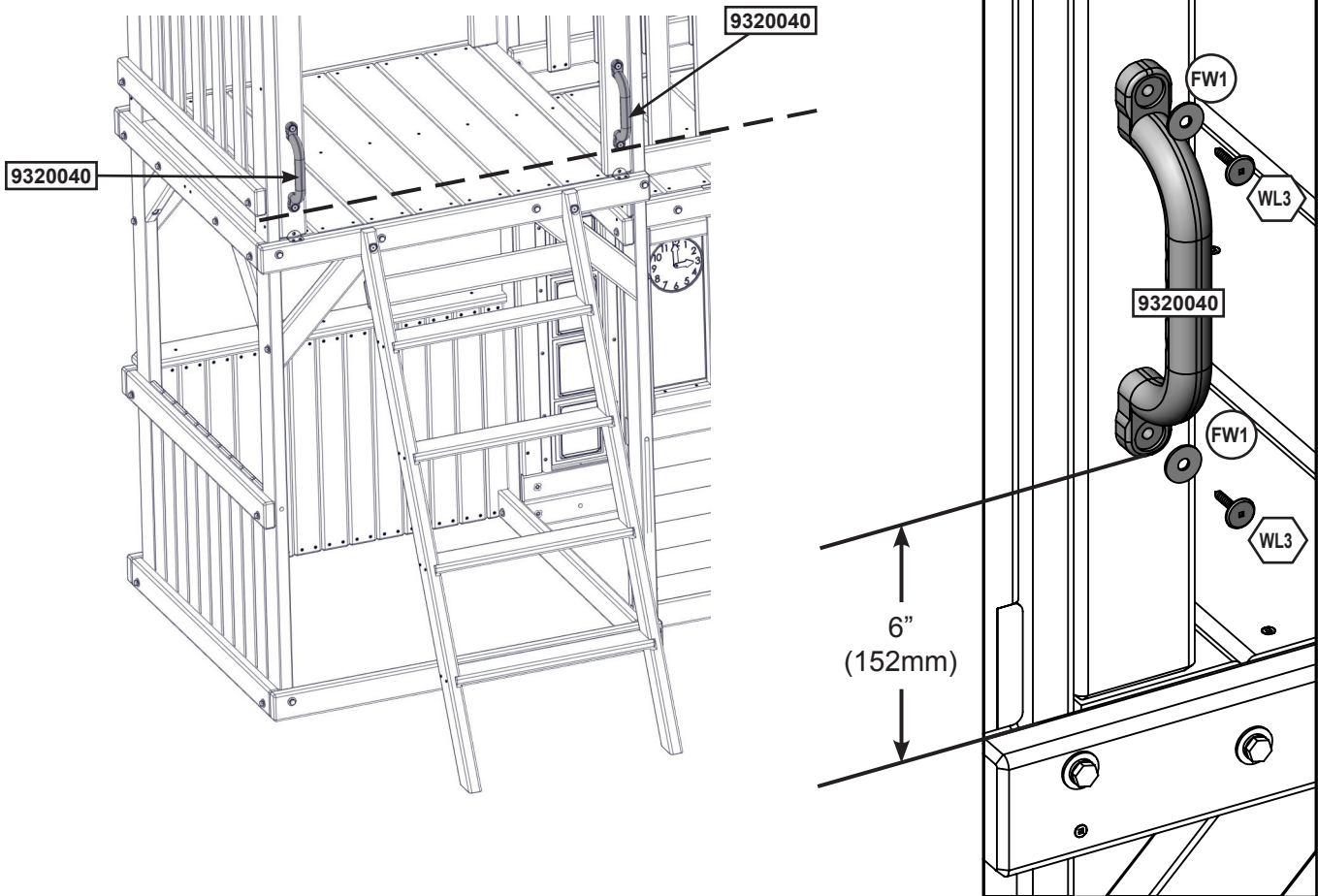
2 x  6.4 x 63.5 mm (1/4 x 2-1/2") (FW1)



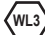
Pre-drill each hole using a 1/8" drill bit for WL3.




Note: Structure partly removed for clarity.

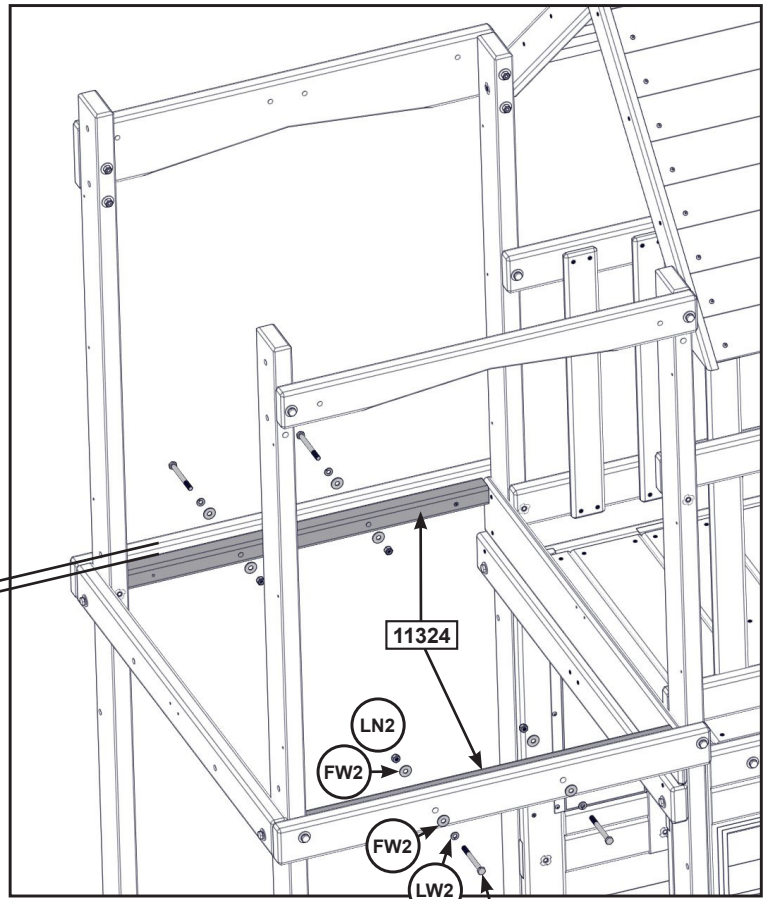
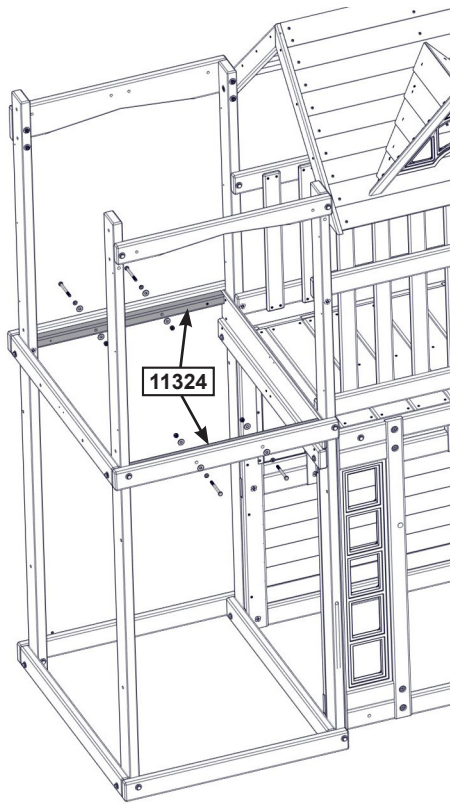


**Hardware**

4 x  6.4 x 34.9 mm (1/4 x 1-3/8") (FW1)

**Other Parts**

2 x 



5/8"  
(15.9mm)

11324

LN2

FW2

FW2

LW2

G35 x 2 per board

**Wood Parts**

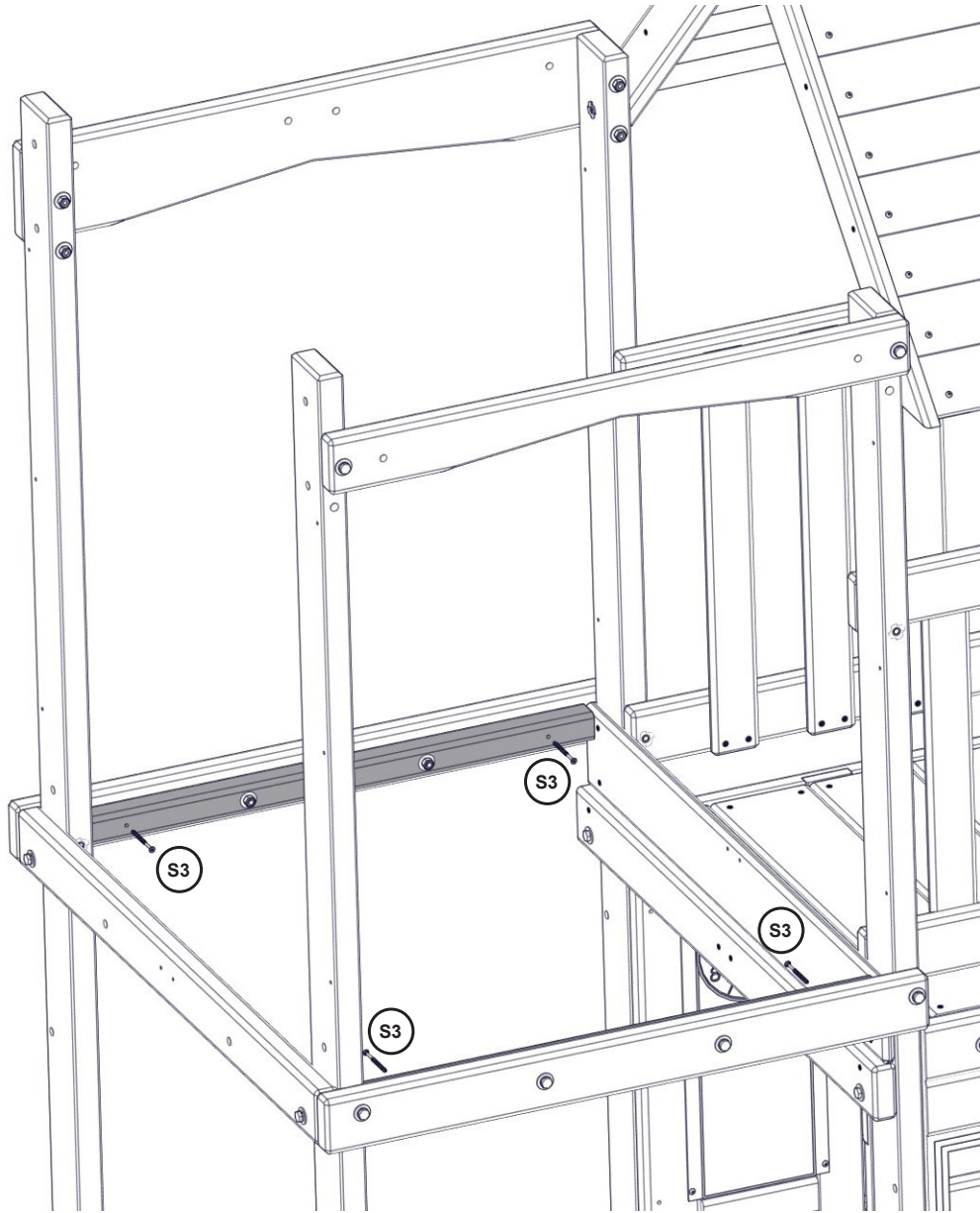
2 x 11324 38.1 mm x 38.1 mm x 708.7 mm (1 1/2" x 1 1/2" x 27 7/8")

**Hardware**

4 x G35 7.9 x 82.6 mm (5/16 x 3-1/4") (LW2, FW2 x 2, LN2)



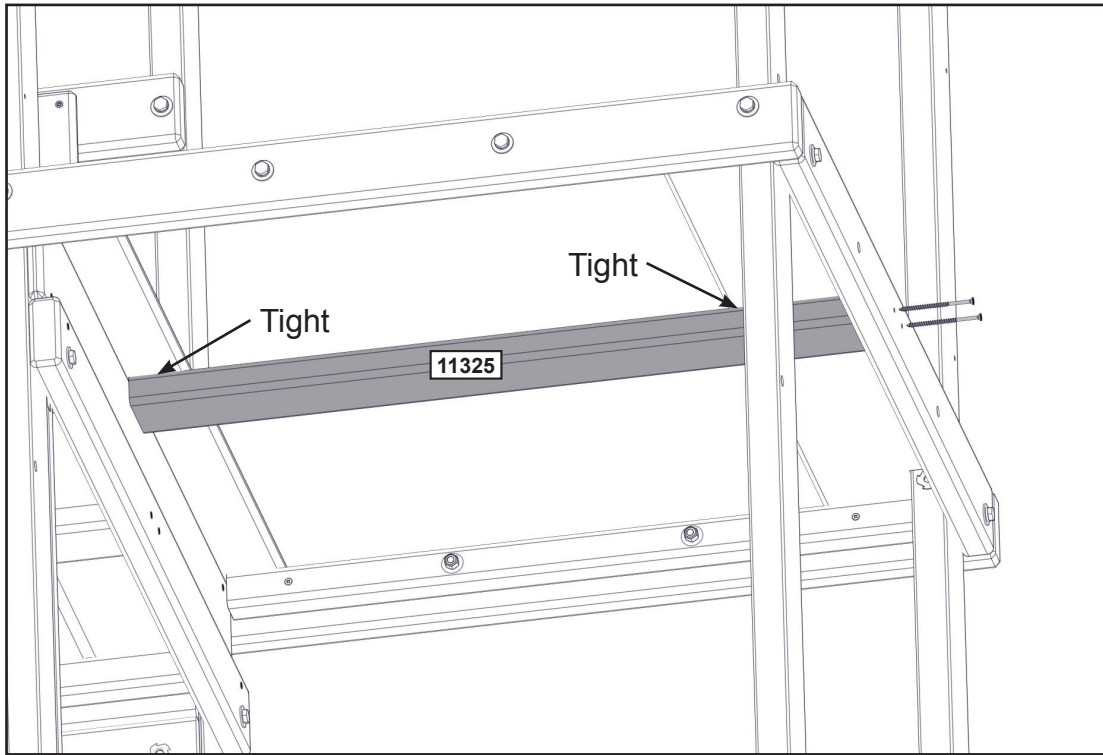
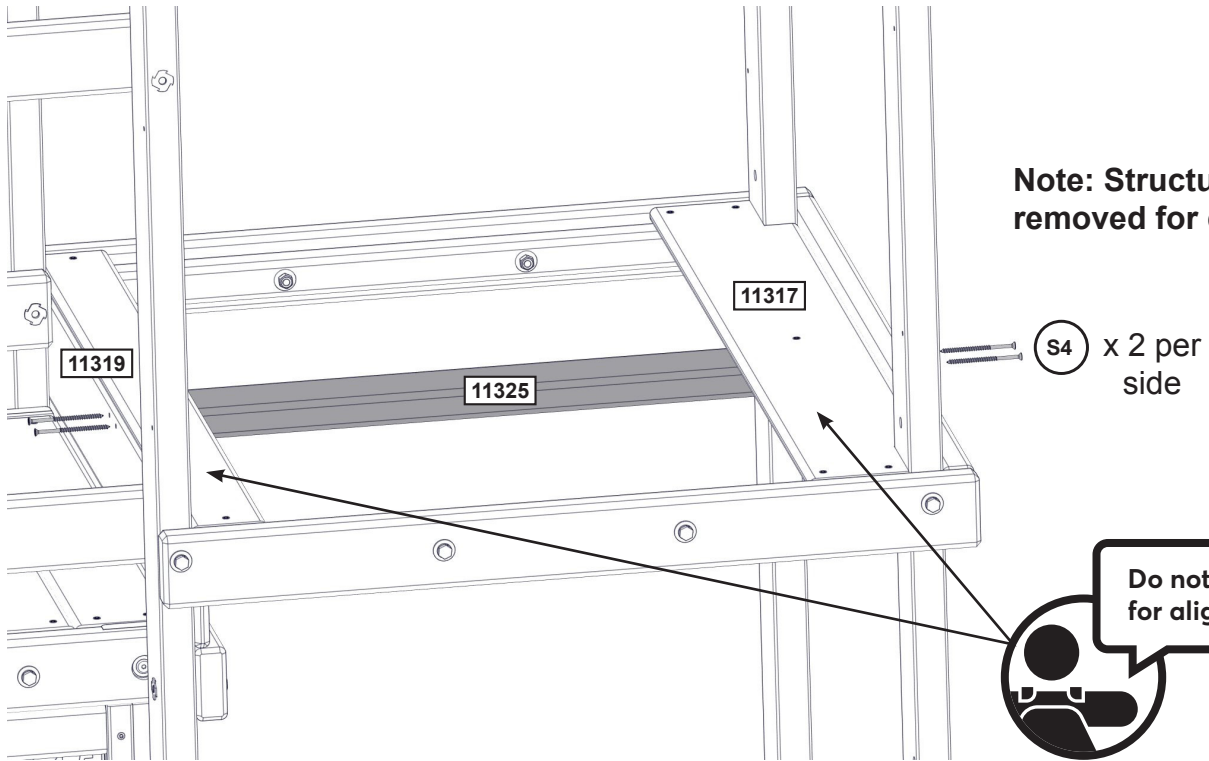




**Hardware**

4 x **S3** #8 x 63.5 mm (#8 x 2-1/2")

76



Underneath View

**Wood Parts**

- 1 x 11325 31.8 mm x 76.2 mm x 749 mm (1 1/4" x 3" x 29 1/2")
- 1 x 11317 15.9 mm x 136.5 mm x 935.8 mm (5/8" x 5 3/8" x 36 13/16")
- 1 x 11319 15.9 mm x 76.2 mm x 935.8 mm (5/8" x 3" x 36 13/16")

**Hardware**

- 4 x S4 #8 x 76.2 mm (#8 x 3")

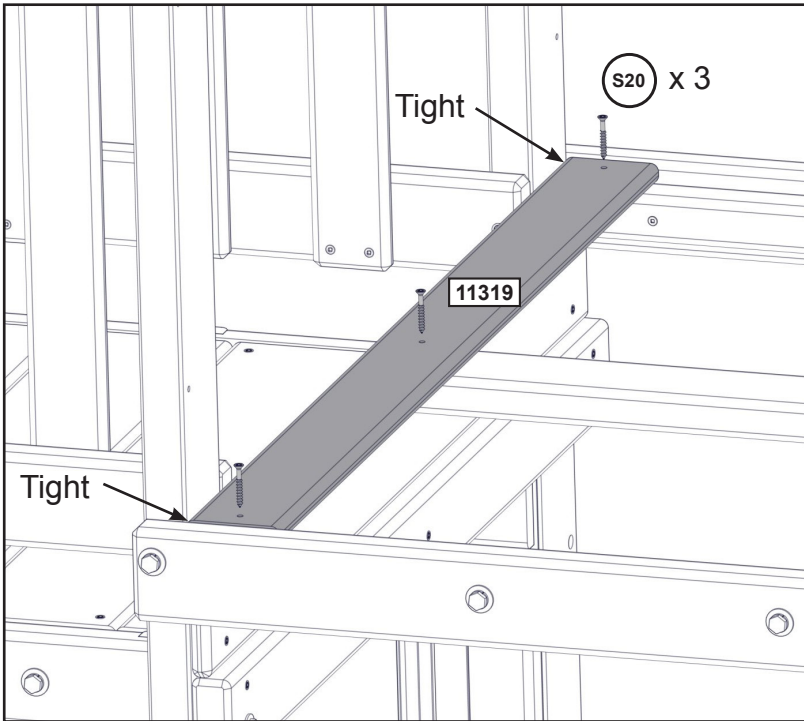
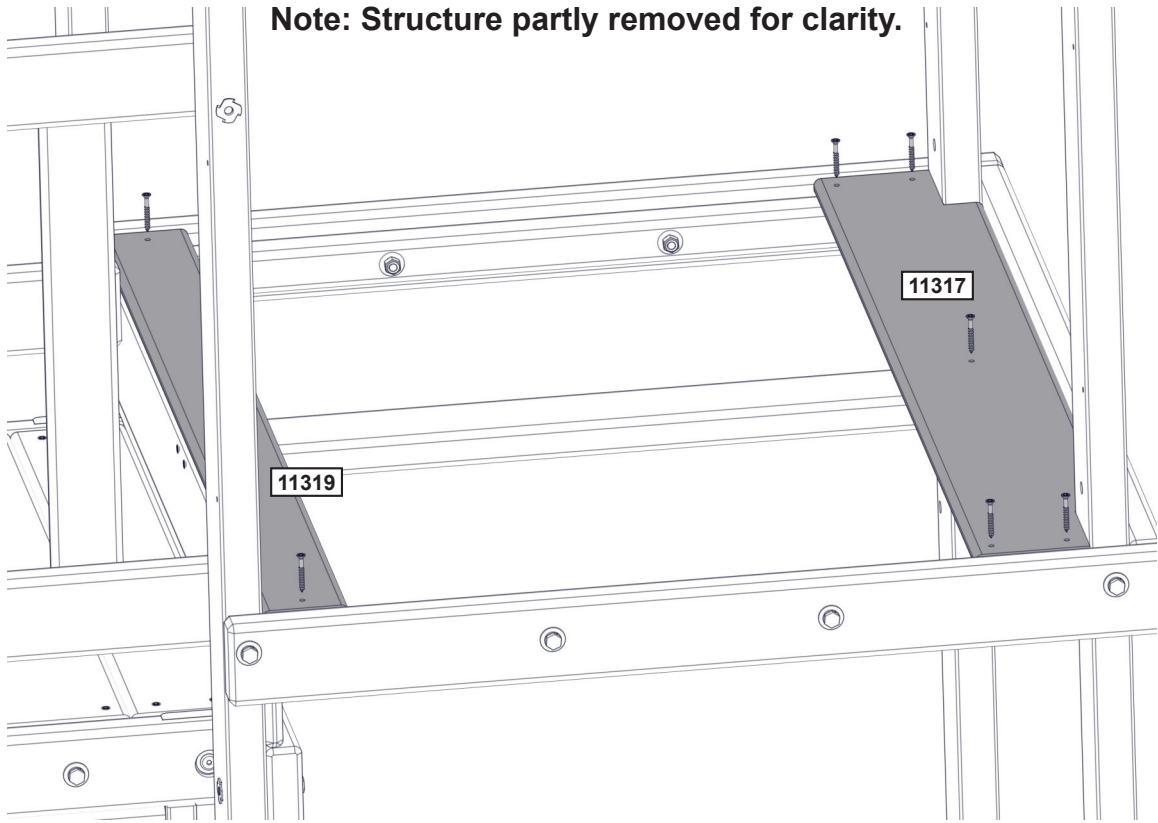
europecustomerservice@kidkraft.com  
 +31 20 305 8620  
 M-F from 09:00 to 17:30 (GMT+1)

parts.kidkraft.eu

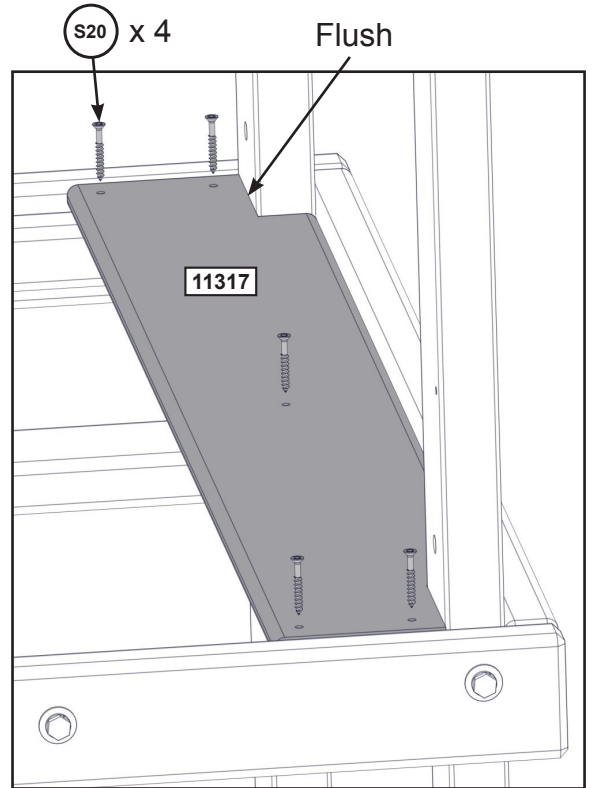


77

Note: Structure partly removed for clarity.



Rotated View



Hardware

8 x S20 #8 x 34.9 mm (#8 x 1-3/8")

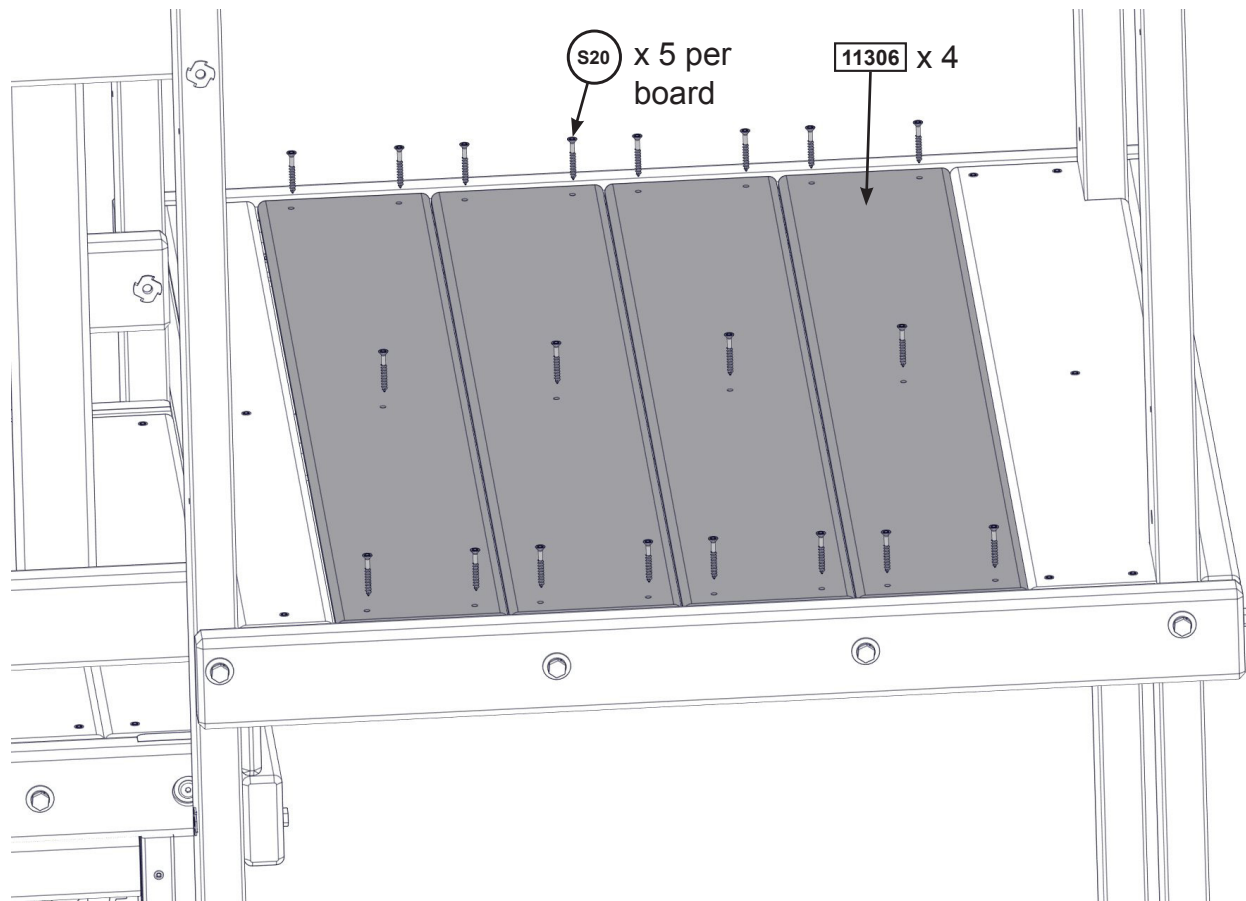


parts.kidkraft.com

customerservice@kidkraft.com  
1.800.933.0771  
972.385.0100

Evenly space the boards.

Note: Structure partly removed for clarity.



#### Wood Parts

4 x **11306** 15.9 mm x 136.5 mm x 935.8 mm (5/8" x 5 3/8" x 36 13/16")

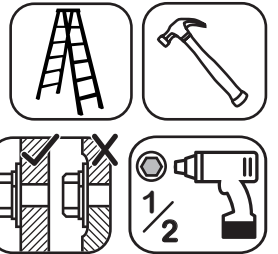
#### Hardware

20 x **s20** #8 x 34.9 mm (#8 x 1-3/8")

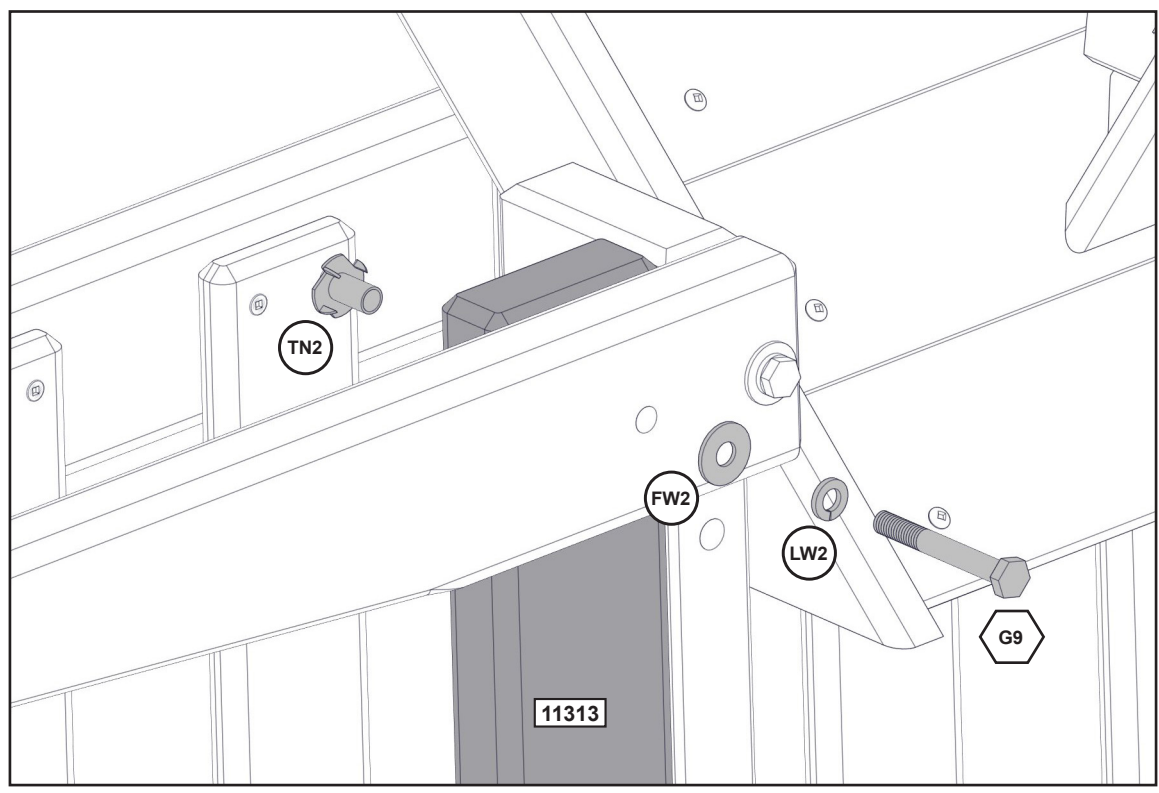
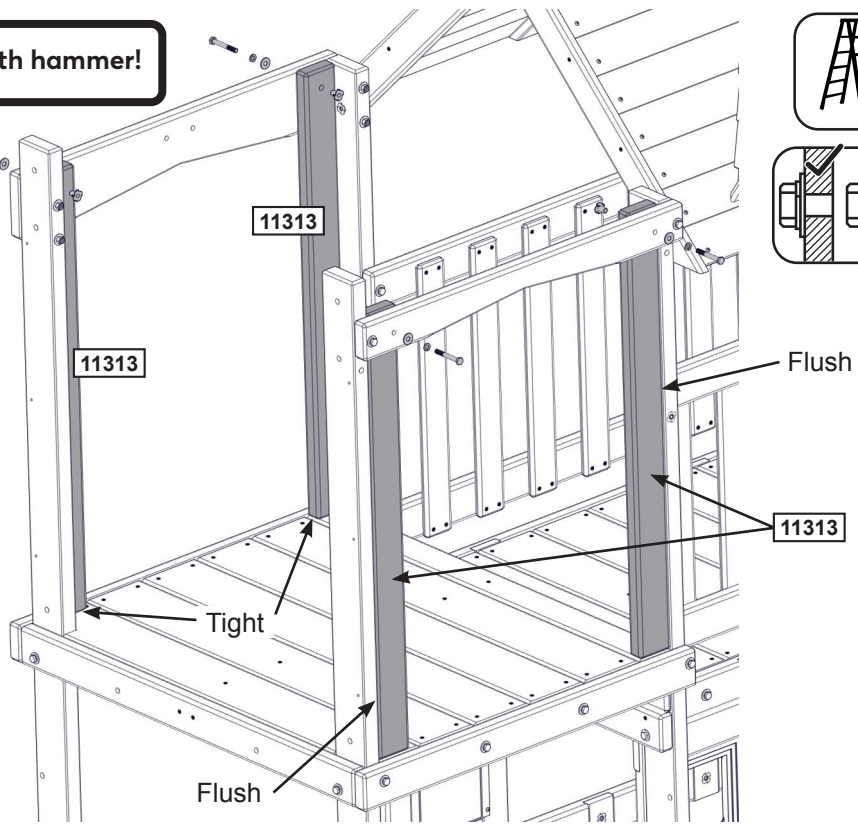


79

Assemble T-Nuts first with hammer!



Note: Structure partly removed for clarity.



**Wood Parts**

4 x 11313 31.8 mm x 76.2 mm x 914.4 mm (1 1/4" x 3" x 36")

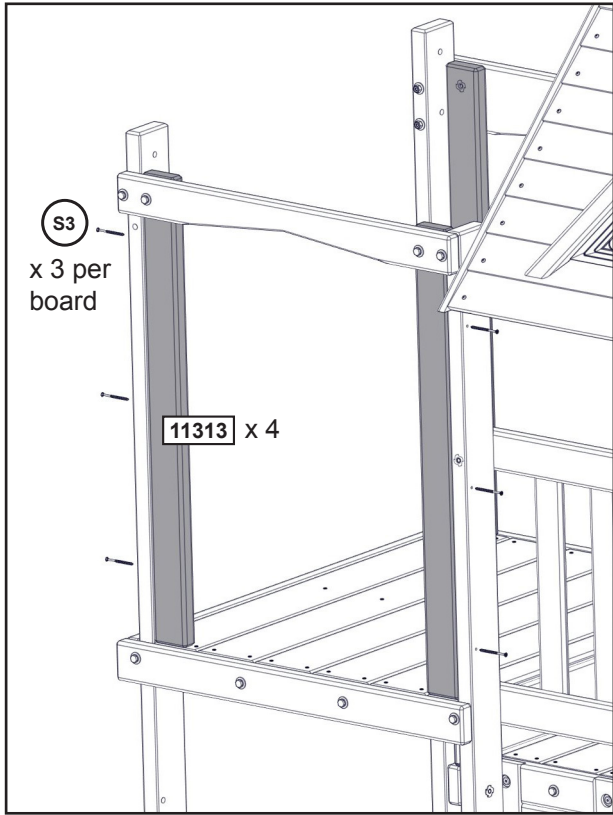
**Hardware**

4 x G9 7.9 x 63.5 mm (5/16 x 2-1/2") (LW2, FW2, TN2)



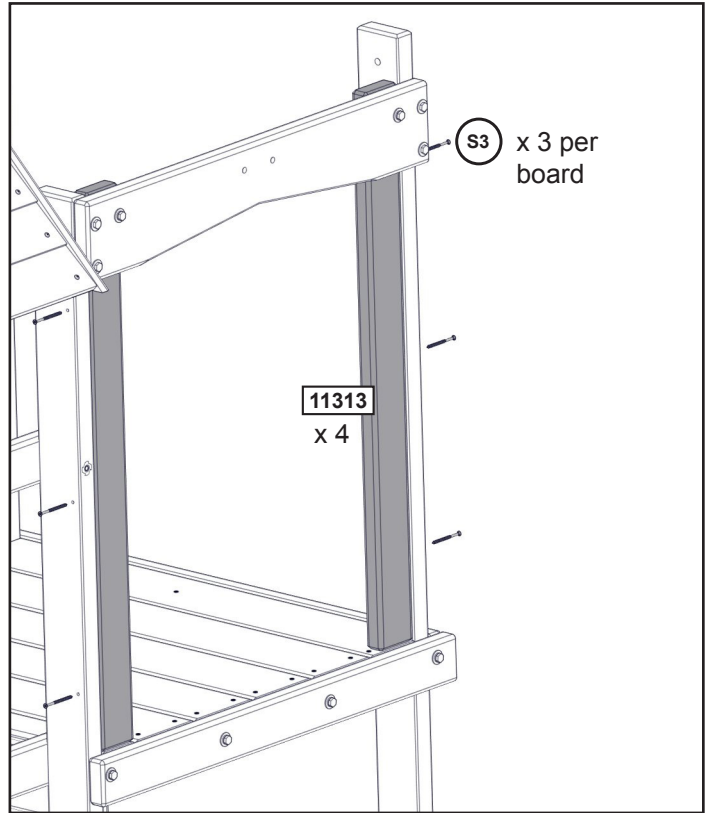
parts.kidkraft.com

customerservice@kidkraft.com  
1.800.933.0771  
972.385.0100



View 1

View 2

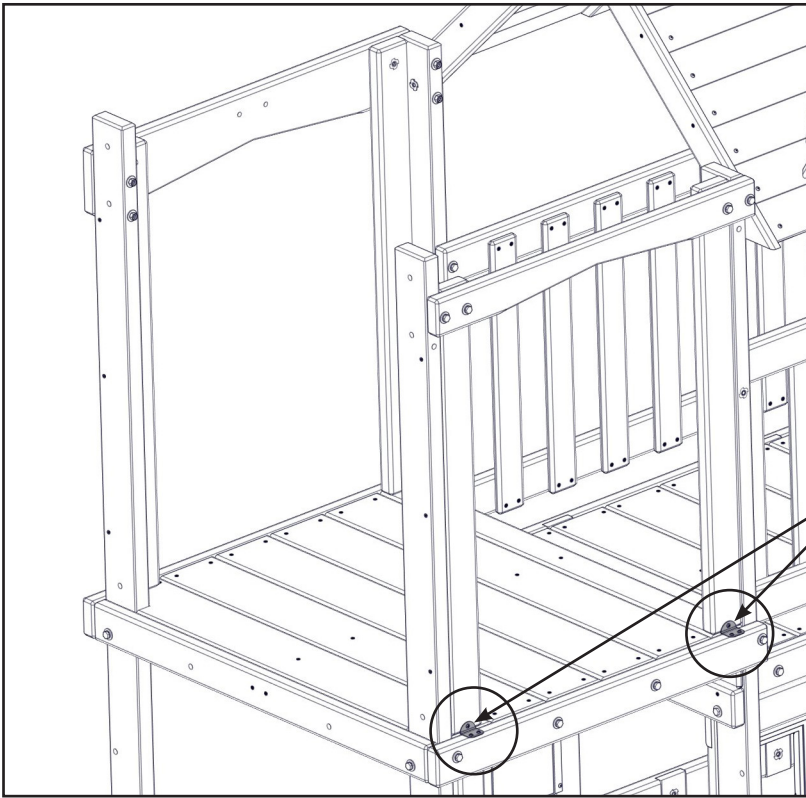


**Hardware**

12 x  #8 x 63.5 mm (#8 x 2-1/2")



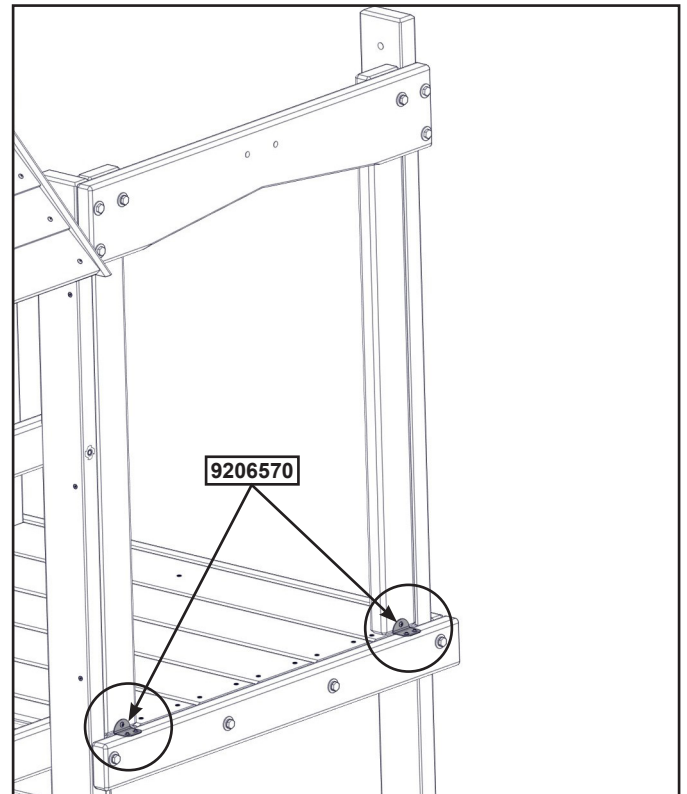
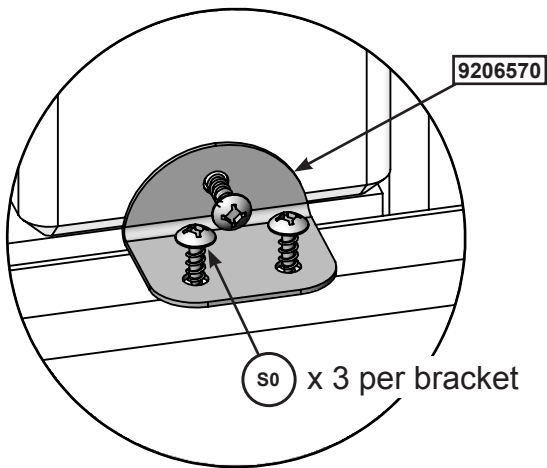
81



**Note: Structure partly removed for clarity.**

**View 1**

**View 2**



**Hardware**

12 x **S0** #8 x 22.2 mm (#8 x 7/8")

**Other Parts**

4 x **9206570**

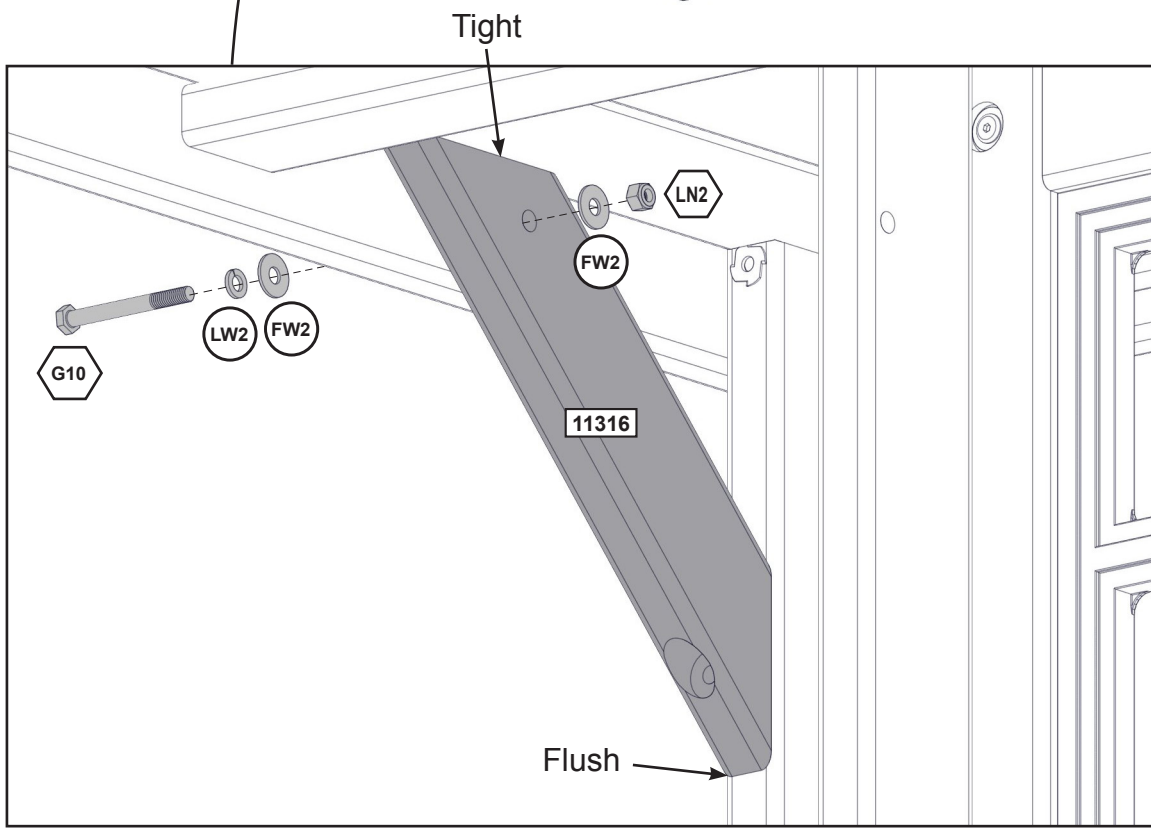
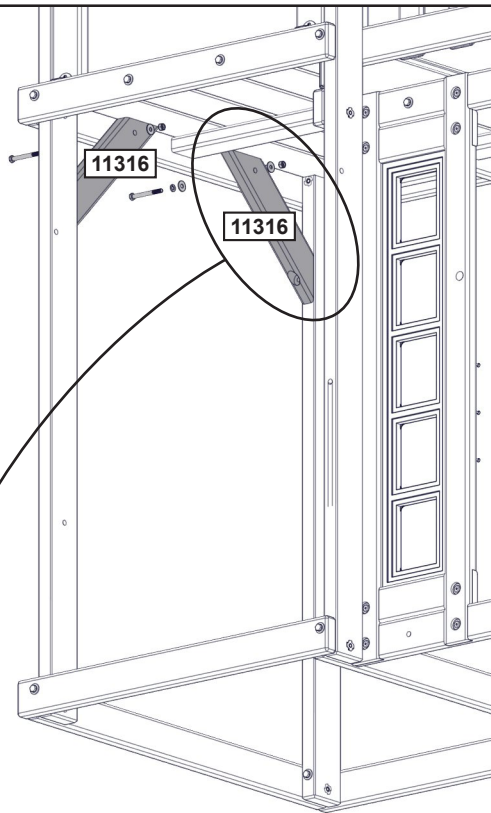


[parts.kidkraft.com](http://parts.kidkraft.com)

[customerservice@kidkraft.com](mailto:customerservice@kidkraft.com)  
1.800.933.0771  
972.385.0100



Note: Structure partly removed for clarity.



Underneath View

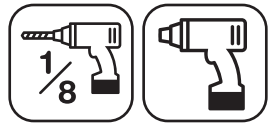
**Wood Parts**

2 x 11316 31.8 mm x 76.2 mm x 384.1 mm (1 1/4" x 3" x 15 1/8")

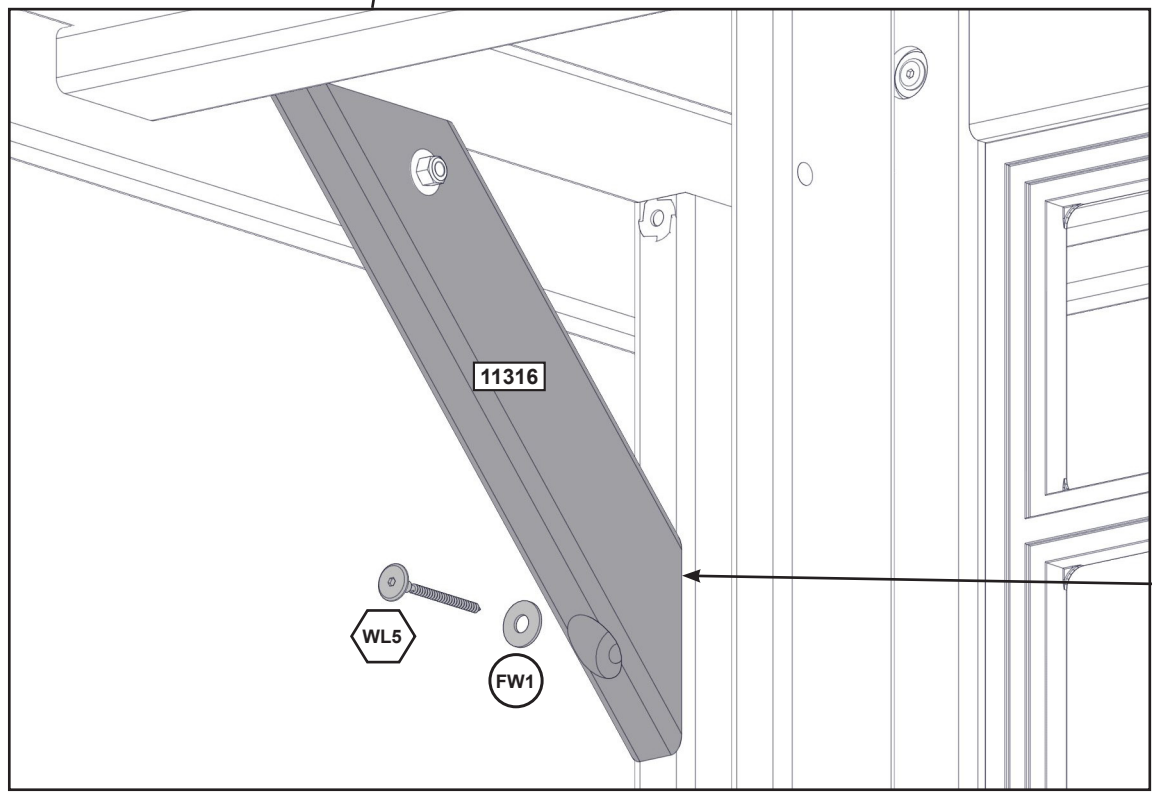
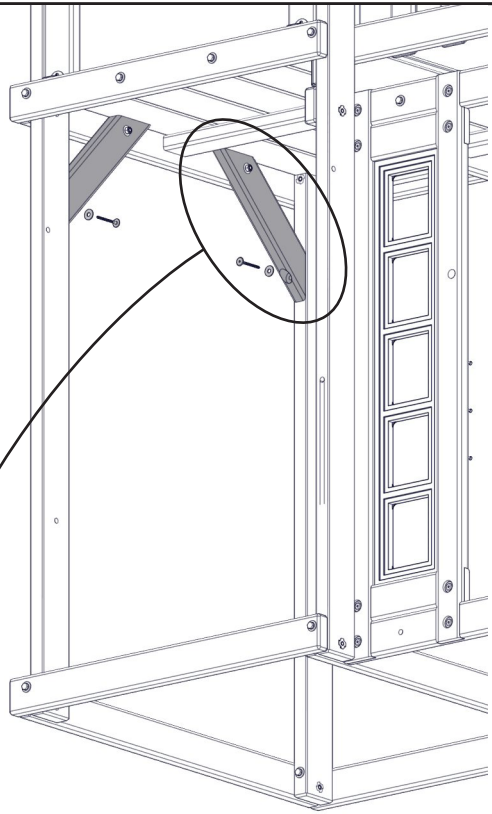
**Hardware**

2 x G10 7.9 x 76.2 mm (5/16 x 3") (FW2 x 2, LW2, LN2)





Note: Structure partly removed for clarity.



Pre-drill each hole using a 1/8" drill bit for WL5.

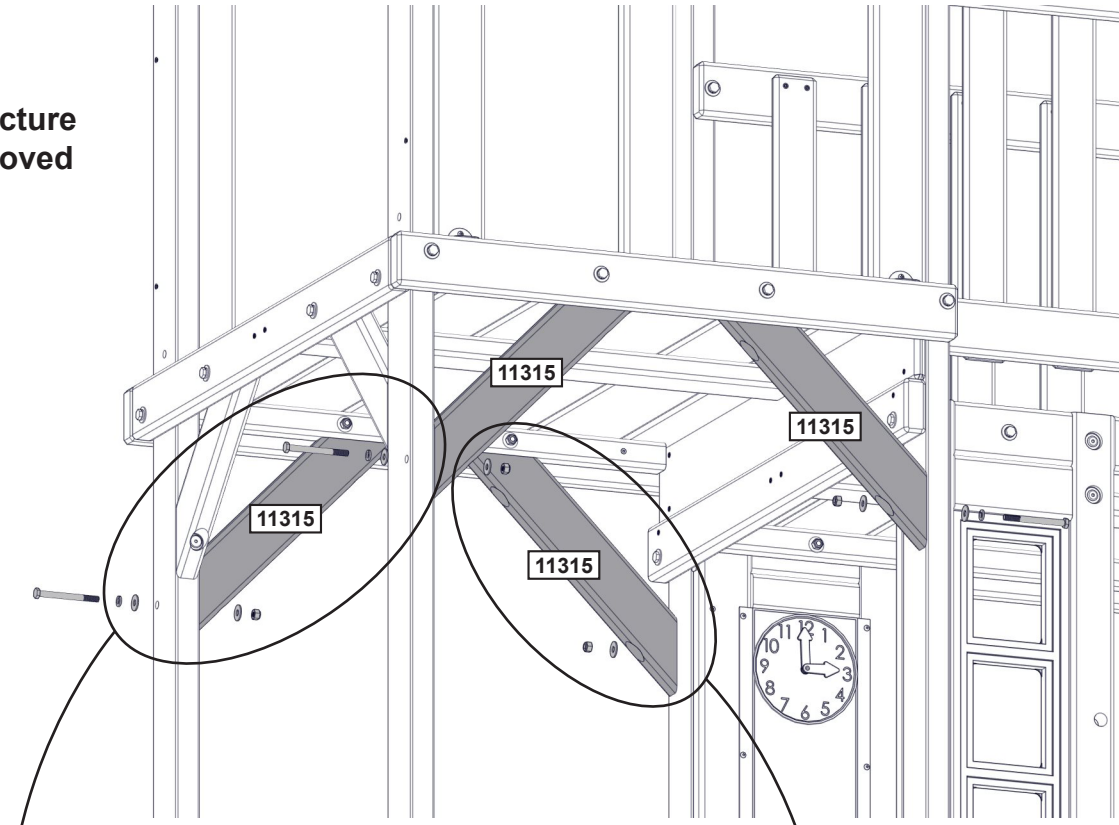
Underneath View

Hardware

2 x WL5 6.4 x 63.5 mm (1/4 x 2-1/2") (FW1)



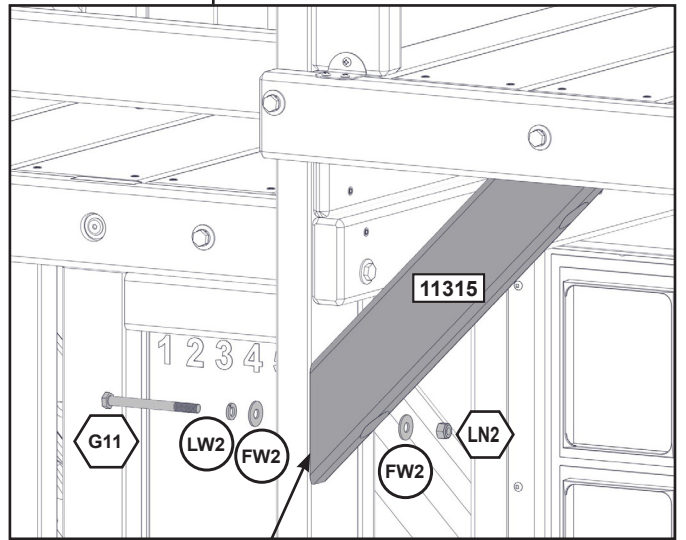
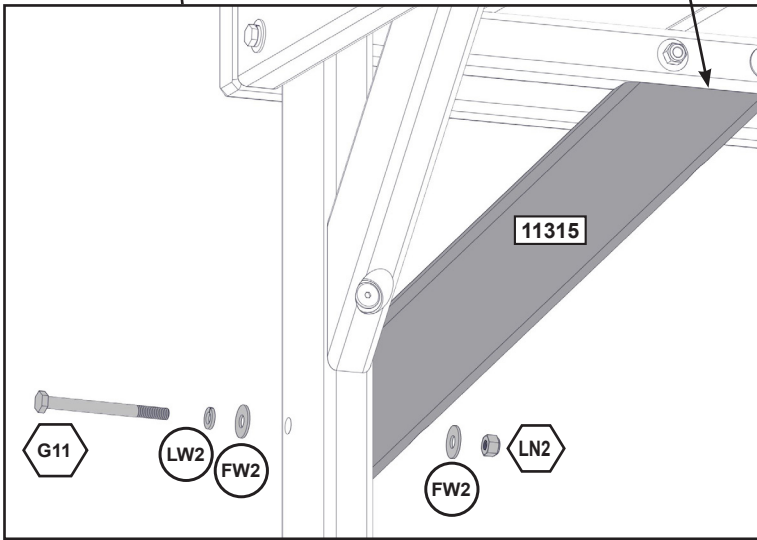
Note: Structure partly removed for clarity.



Underneath View

Tight

Rotated View



Flush

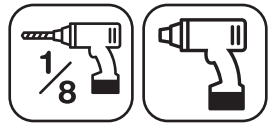
**Wood Parts**

4 x **11315** 31.8 mm x 76.2 mm x 442 mm (1 1/4" x 3" x 17 3/8")

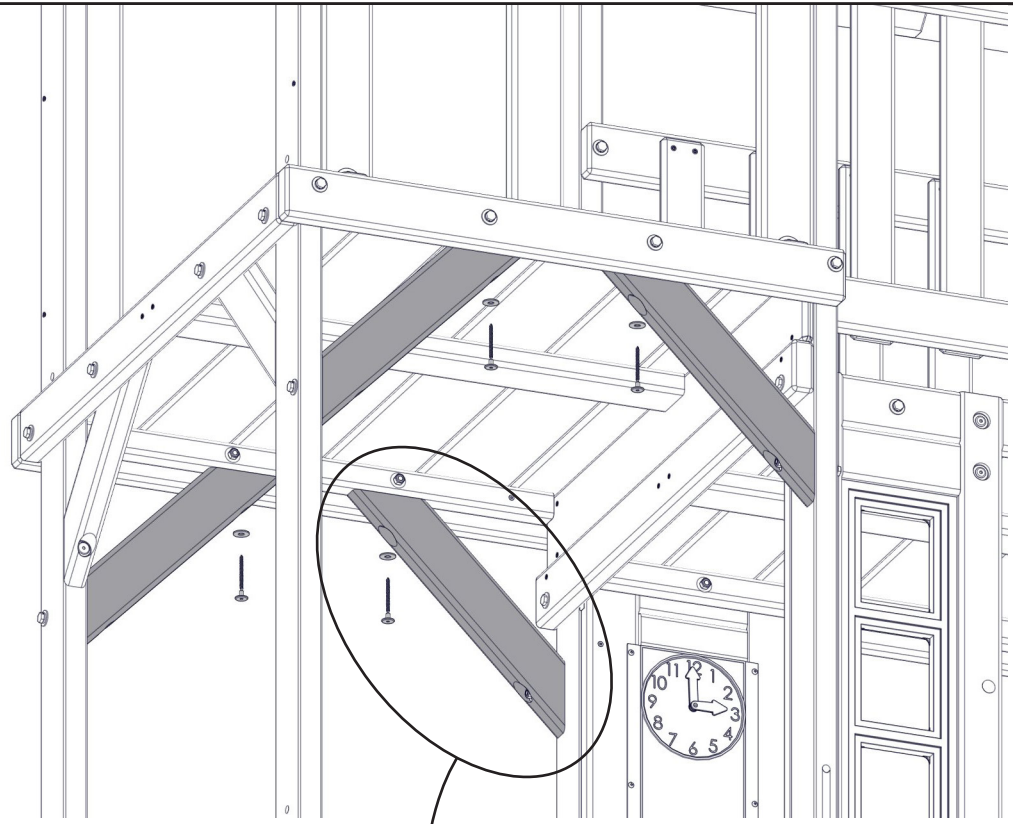
**Hardware**

4 x **G11** 7.9 x 88.9 mm (5/16 x 3-1/2") (LW2, FW2 x 2, LN2)



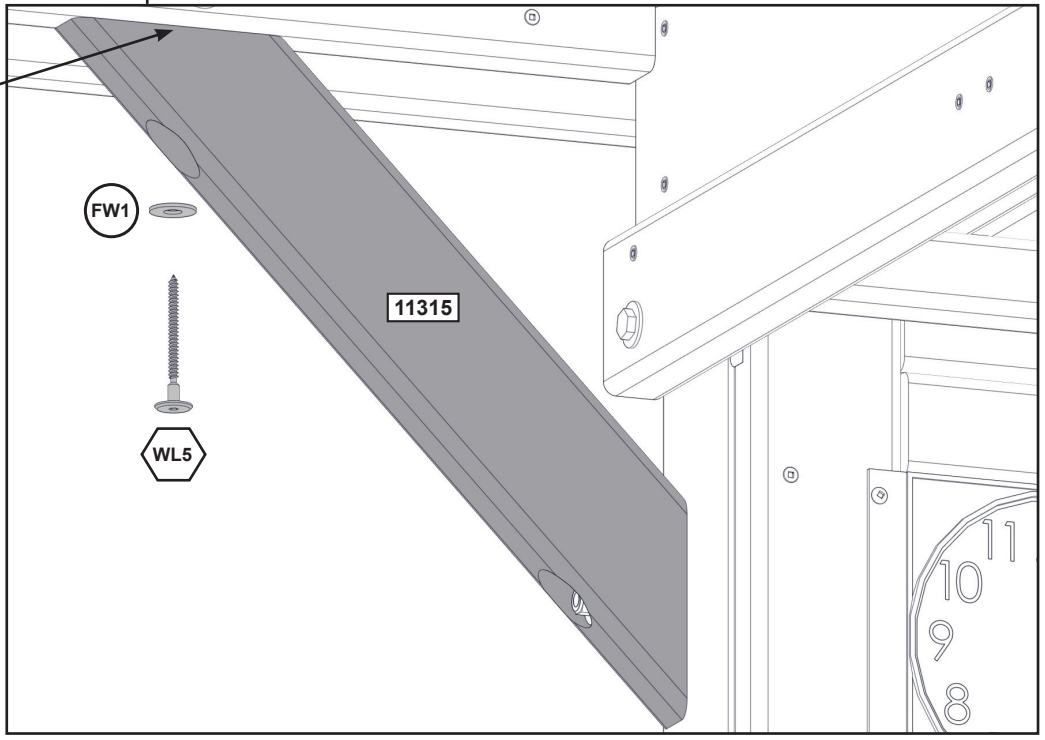


**Note: Structure partly removed for clarity.**



**Underneath View**

Pre-drill each hole using a 1/8" drill bit for WL5.



**Hardware**

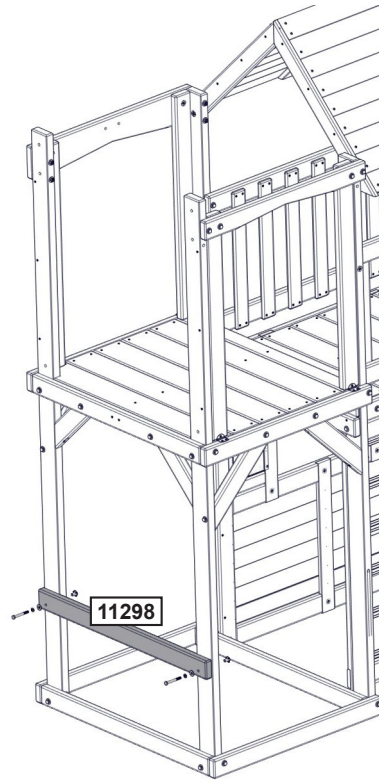
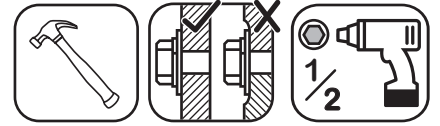
4 x  6.4 x 63.5 mm (1/4 x 2-1/2") (FW1)



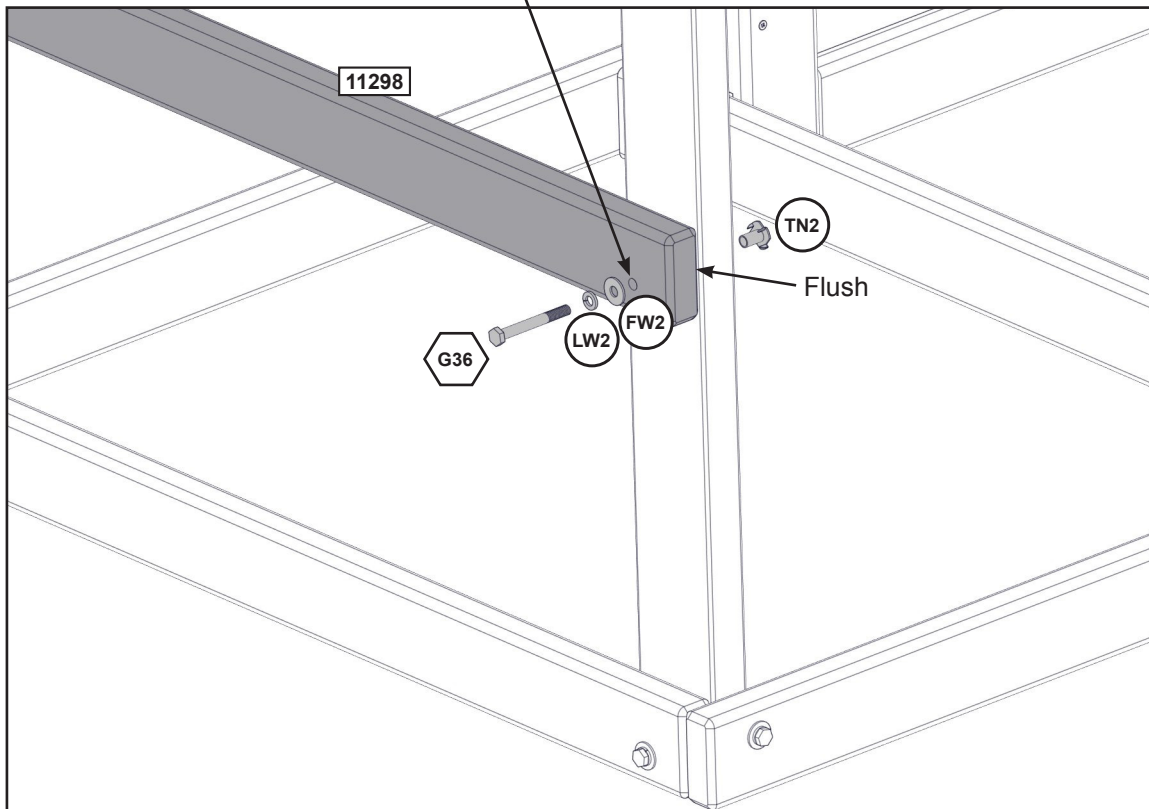
86

Assemble T-Nuts first with hammer!

Note: Structure partly removed for clarity.



Note hole orientation



**Wood Parts**

1 x 11298 31.8 mm x 76.2 mm x 939.8 mm (1 1/4" x 3" x 37")

**Hardware**

2 x G36 7.9 x 69.9 mm (5/16" x 2-3/4") (LW2, FW2, TN2)

europecustomerservice@kidkraft.com  
+31 20 305 8620  
M-F from 09:00 to 17:30 (GMT+1)

parts.kidkraft.eu



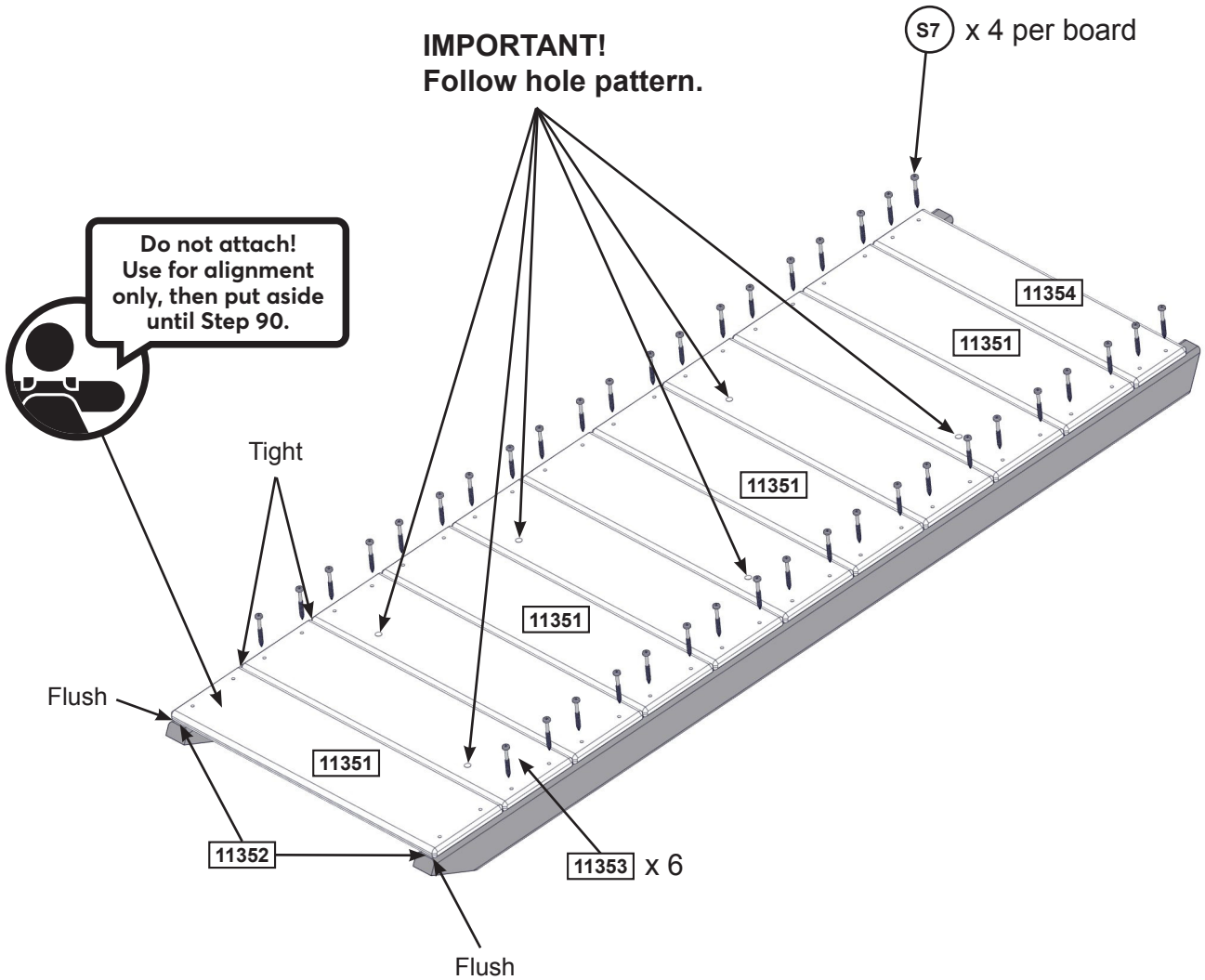
Pre-drill S7 holes using a 1/8" drill bit.



**IMPORTANT!**  
Follow hole pattern.

S7 x 4 per board

Do not attach!  
Use for alignment  
only, then put aside  
until Step 90.



**Wood Parts**

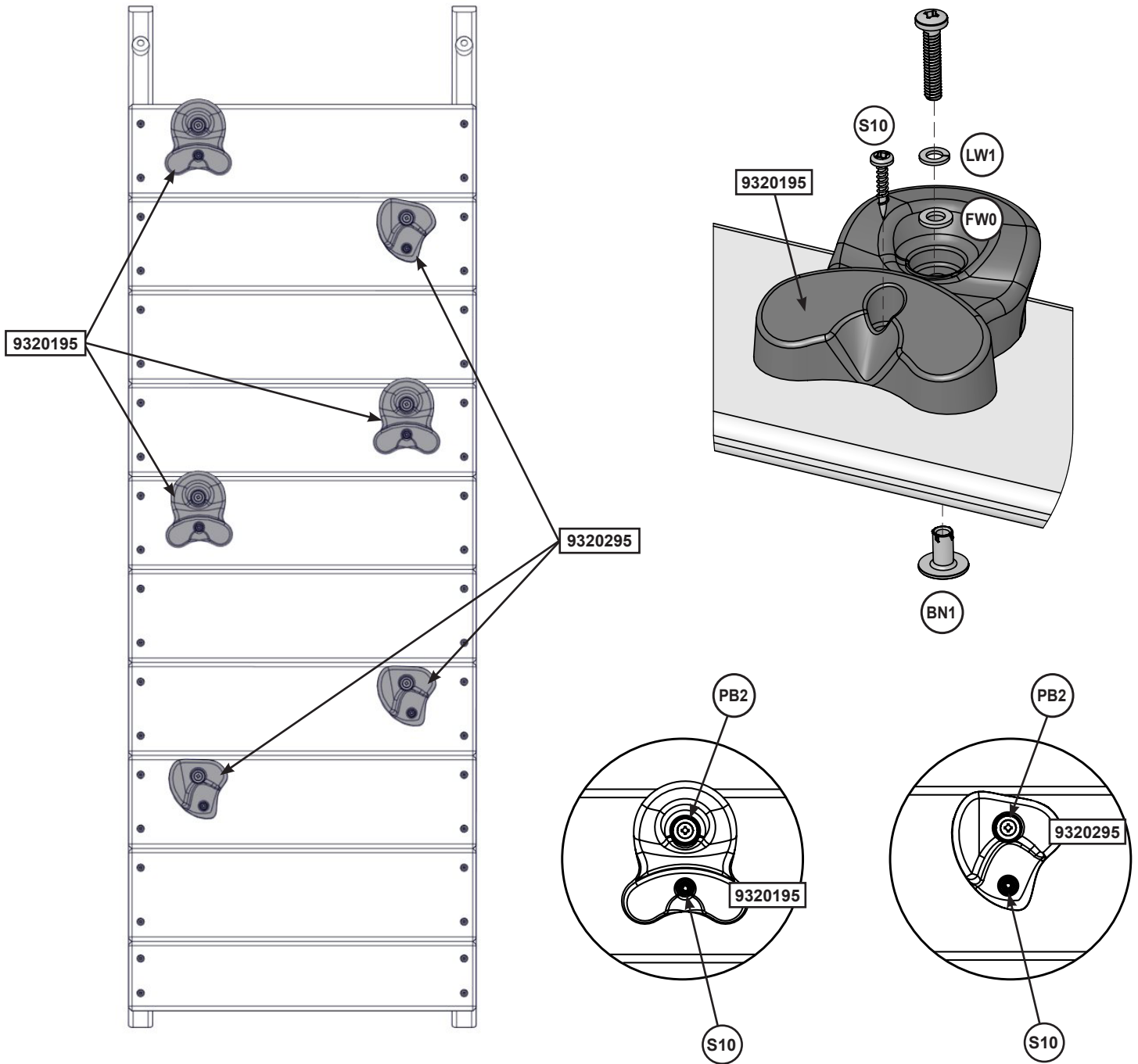
- 2 x 11352 34.9 mm x 63.5 mm x 1500 mm (1 3/8" x 2 1/2" x 59 1/16")
- 4 x 11351 15.9 mm x 136.5 mm x 508 mm (5/8" x 5 3/8" x 20")
- 6 x 11353 15.9 mm x 136.5 mm x 508 mm (5/8" x 5 3/8" x 20")

**Hardware**

- 1 x 11354 15.9 mm x 101.6 mm x 508 mm (5/8" x 4" x 20")
- 40 x S7 #12 x 50.8 mm (#12 x 2")

88

Note: Make sure all hardware is used to properly secure each rock.



**Hardware**

- 6 x **PB2** 7.9 x 32 mm (5/16 x 1-1/4") (FW0, LW1, BN1)
- 6 x **S10** #8 x 25.4 mm (#8 x 1")

**Other Parts**

- 3 x **9320295**
- 3 x **9320195**

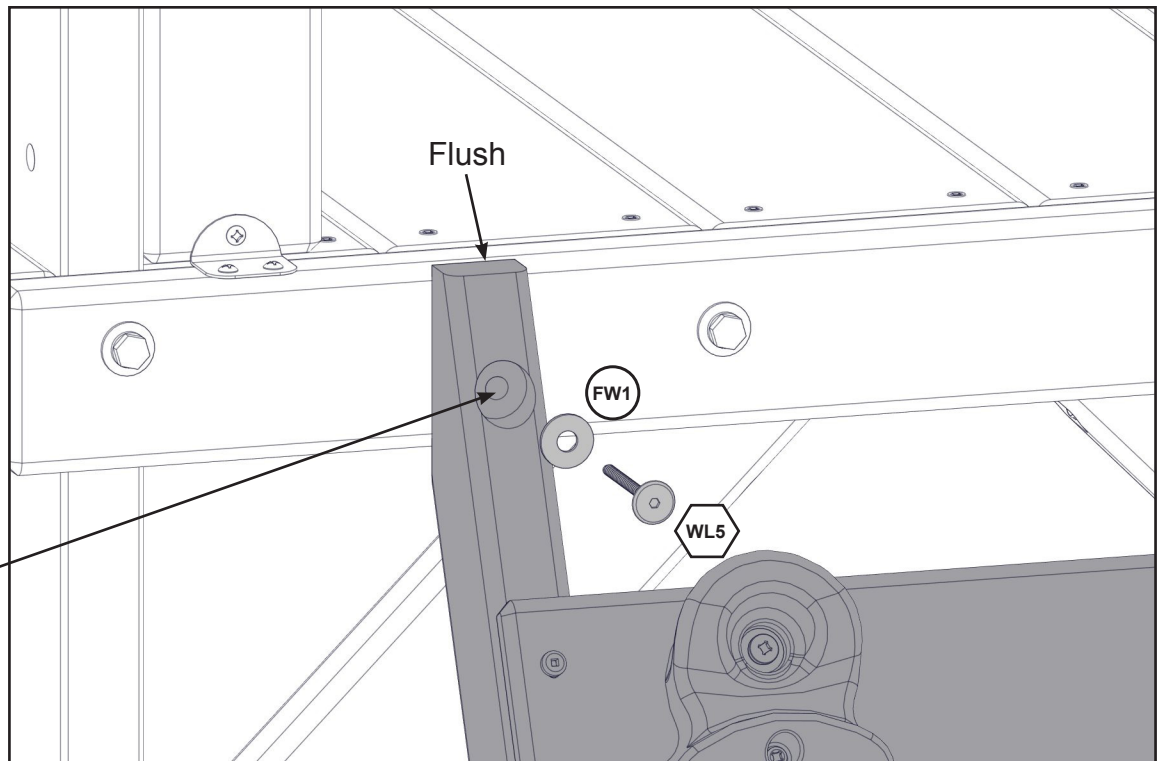
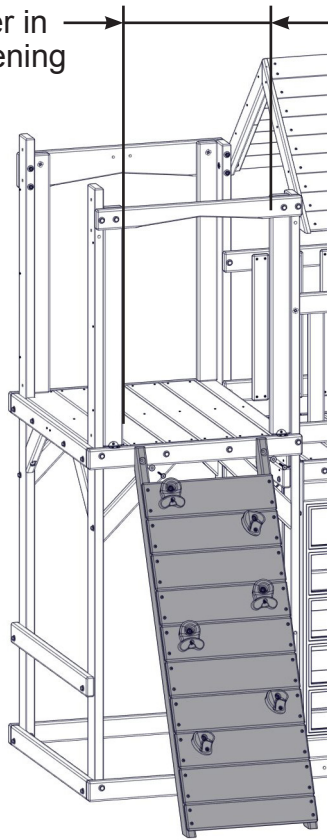


89

Center in the opening



Note: Structure partly removed for clarity.



Pre-drill each hole using a 1/8" drill bit for WL5.

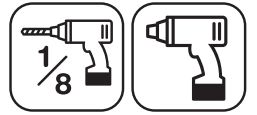
**Hardware**

2 x  6.4 x 63.5 mm (1/4 x 2-1/2") (FW1)



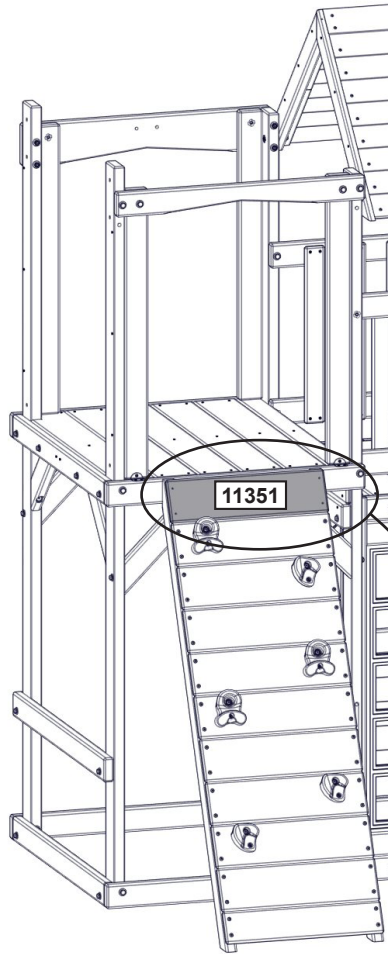
parts.kidkraft.com

customerservice@kidkraft.com  
1.800.933.0771  
972.385.0100

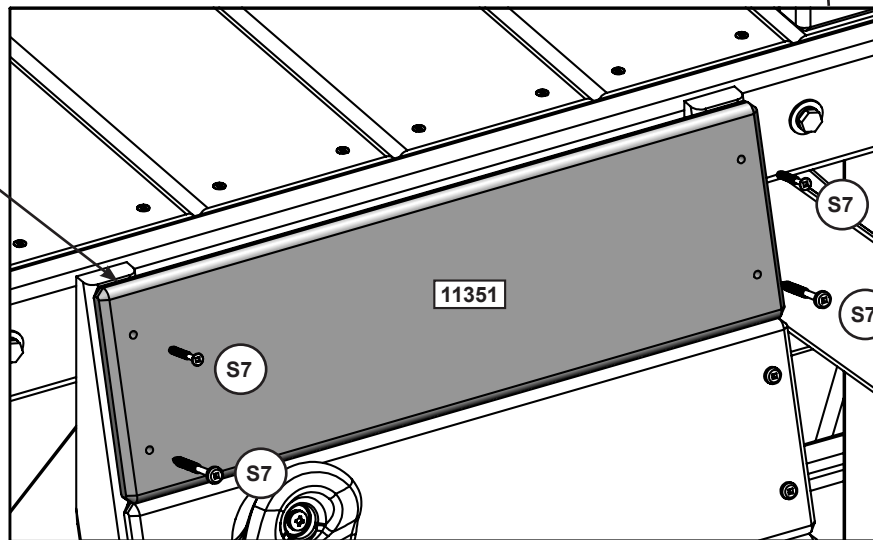


**Note: Structure partly removed for clarity.**


**Pre-drill S7 holes using a 1/8" drill bit.**



Flush



**Hardware**

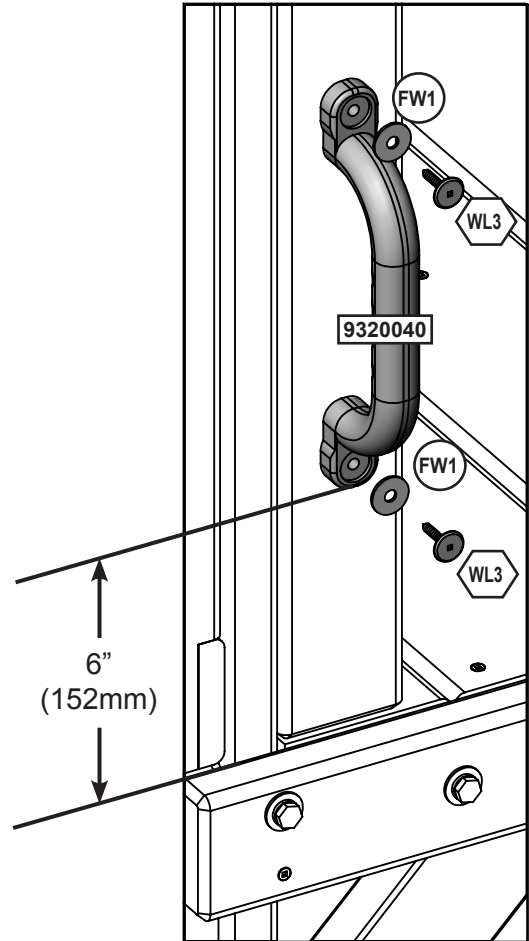
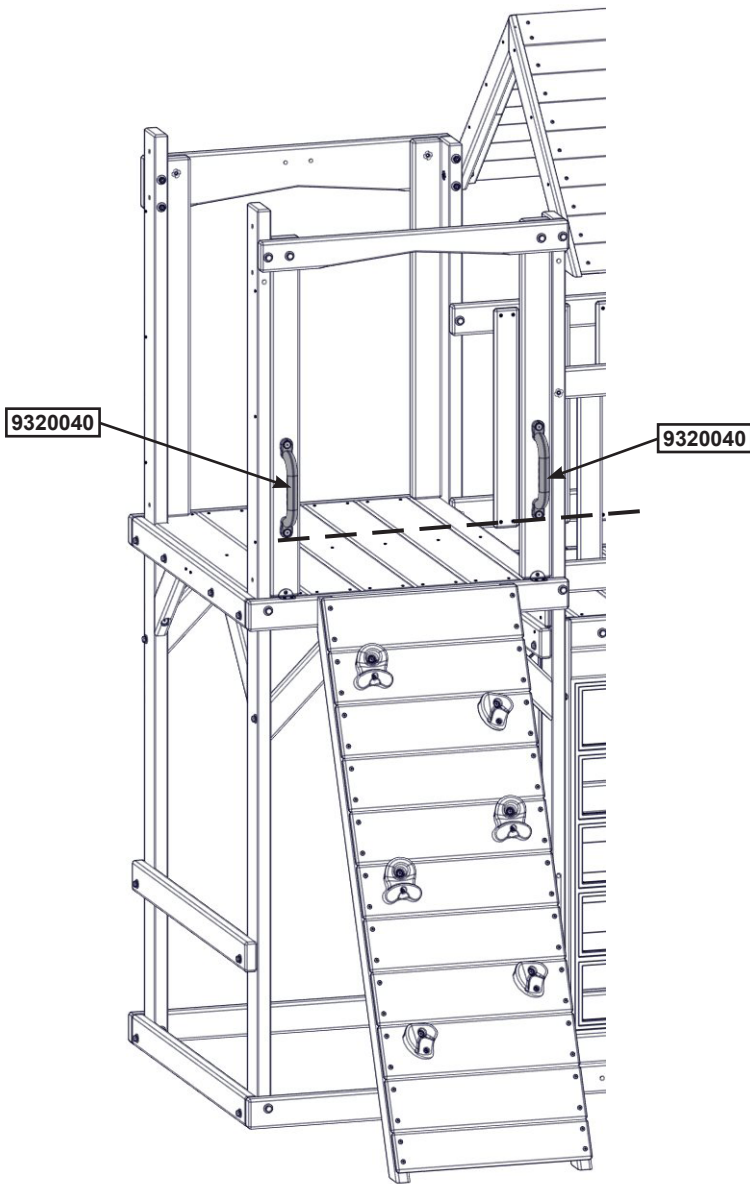
4 x  #12 x 50.8 mm (#12 x 2")



Pre-drill each hole using a 1/8" drill bit for WL3.



Note: Structure partly removed for clarity.



**Hardware**

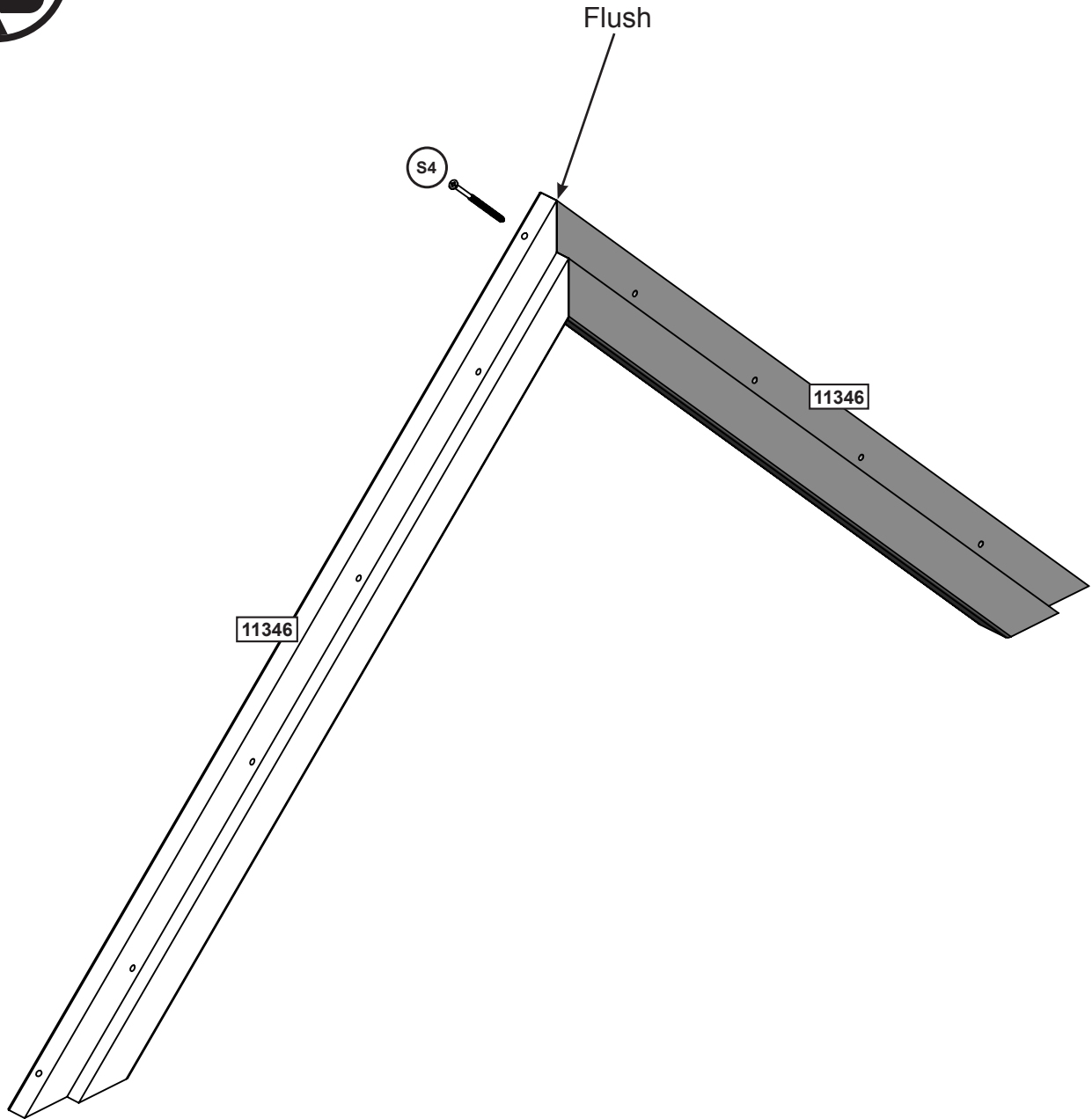
4 x 6.4 x 34.9 mm (1/4 x 1-3/8") (FW1)

**Other Parts**

2 x

92

Complete this step  
four times



**Wood Parts**

8 x **11346** 31.8 mm x 69.9 mm x 834.2 mm (1 1/4" x 2 3/4" x 32 13/16")

**Hardware**

4 x **S4** #8 x 76.2 mm (#8 x 3")

europcustomerservice@kidkraft.com  
+31 20 305 8620  
M-F from 09:00 to 17:30 (GMT+1)

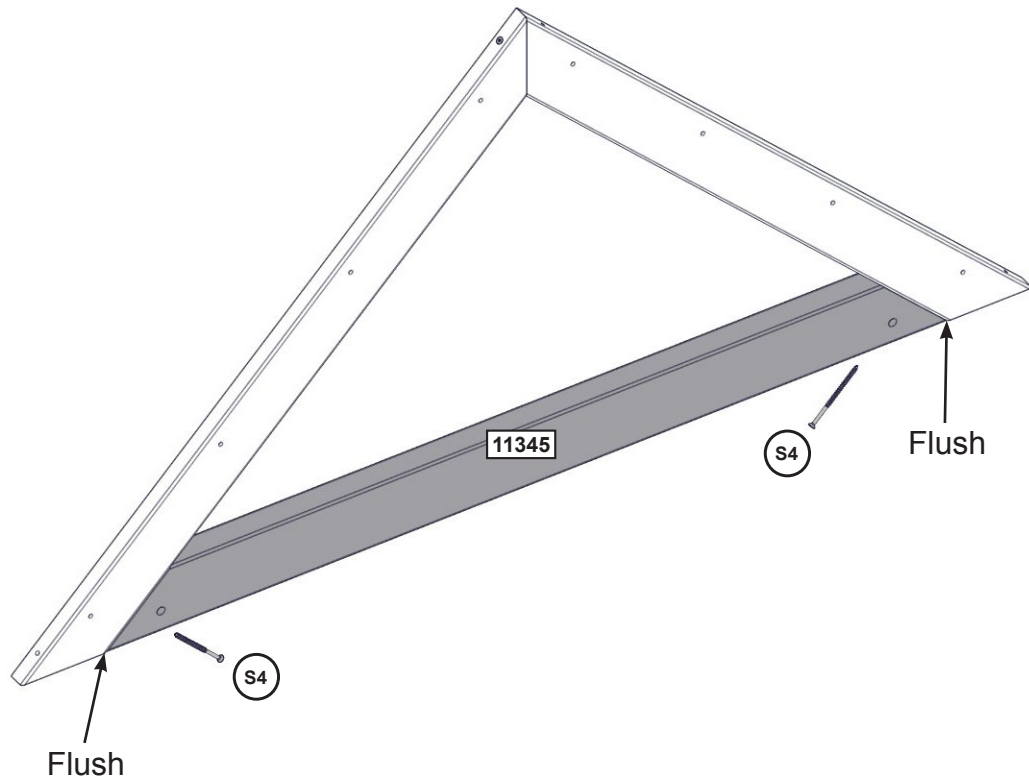
parts.kidkraft.eu





93

Complete this step twice



**Wood Parts**

2 x **11345** 31.8 mm x 76.2 mm x 982 mm (1 1/4" x 3" x 38 11/16")

**Hardware**

4 x **S4** #8 x 76.2 mm (#8 x 3")

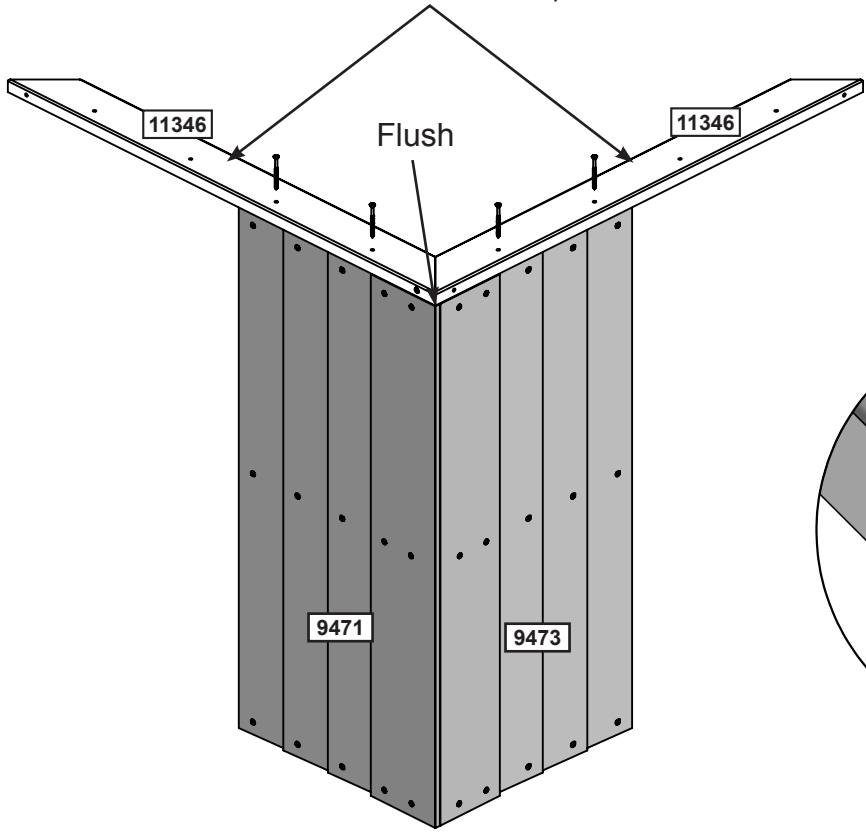


parts.kidkraft.com

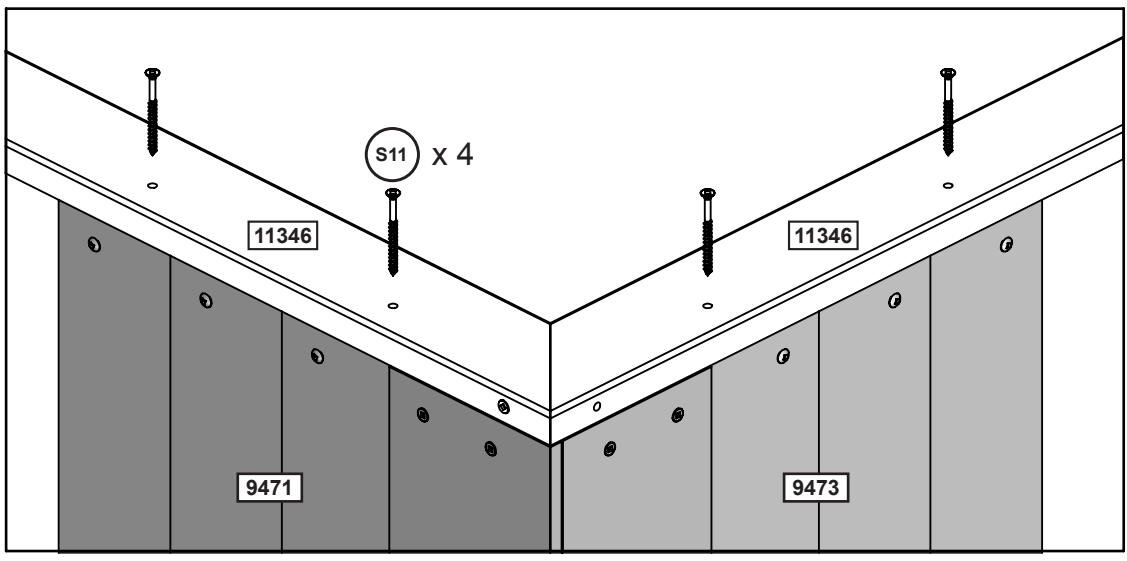
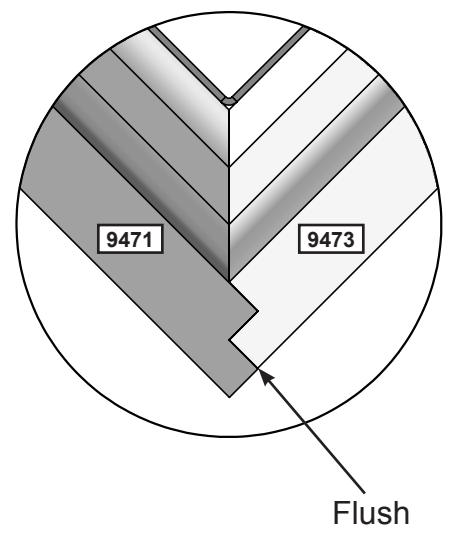
customerservice@kidkraft.com  
1.800.933.0771  
972.385.0100



Pre-assembled in Step 92.



Top View



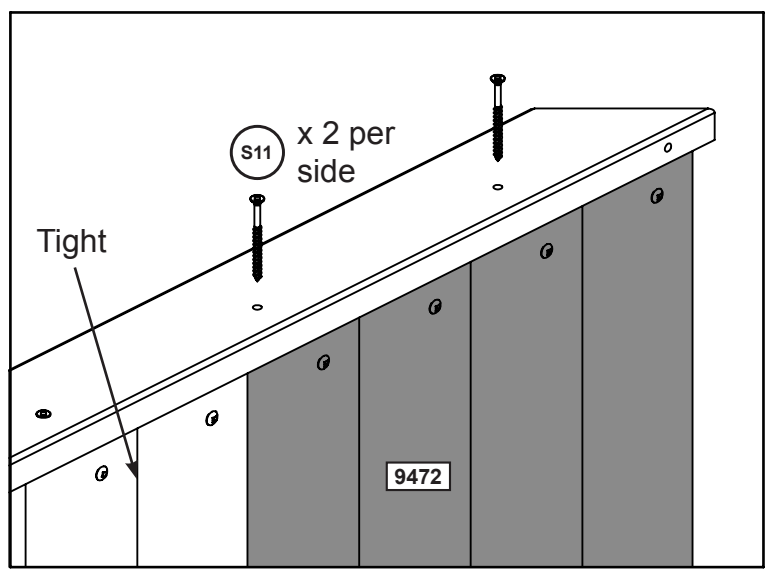
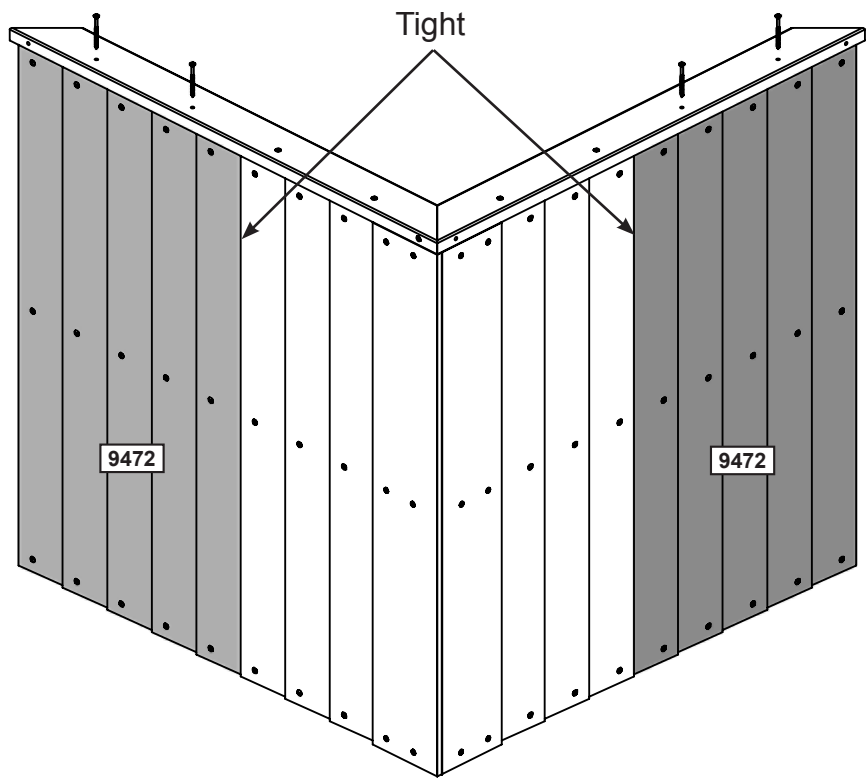
**Wood Parts**

- 1 x 9471 31.8 mm x 424.2 mm x 826.8 mm (1 1/4" x 16 11/16" x 32 9/16")
- 1 x 9473 31.8 mm x 417.9 mm x 826.8 mm (1 1/4" x 16 7/16" x 32 9/16")

**Hardware**

- 4 x S11 #8 x 50.8mm (#8 x 2")





**Wood Parts**

2 x 9472 31.8 mm x 405 mm x 826.8 mm (1 1/4" x 15 15/16" x 32 9/16")

**Hardware**

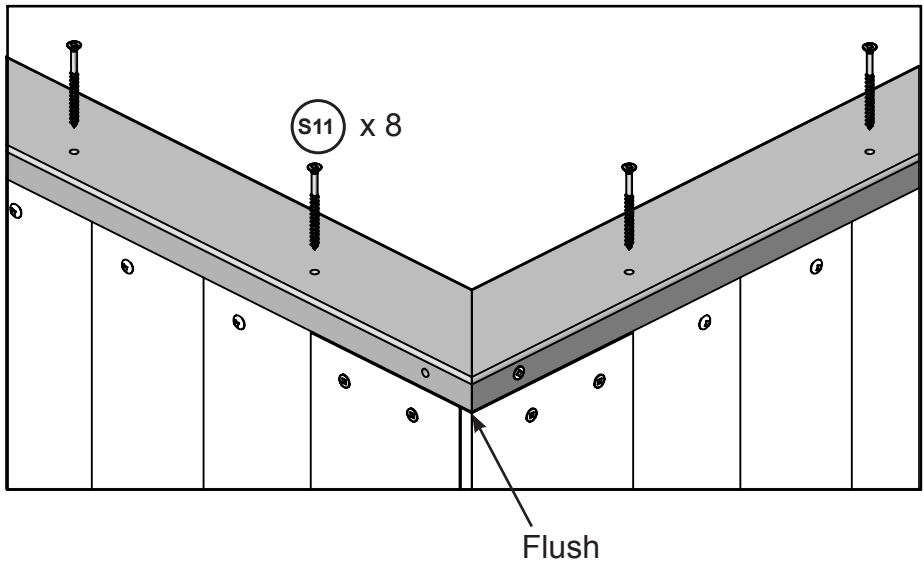
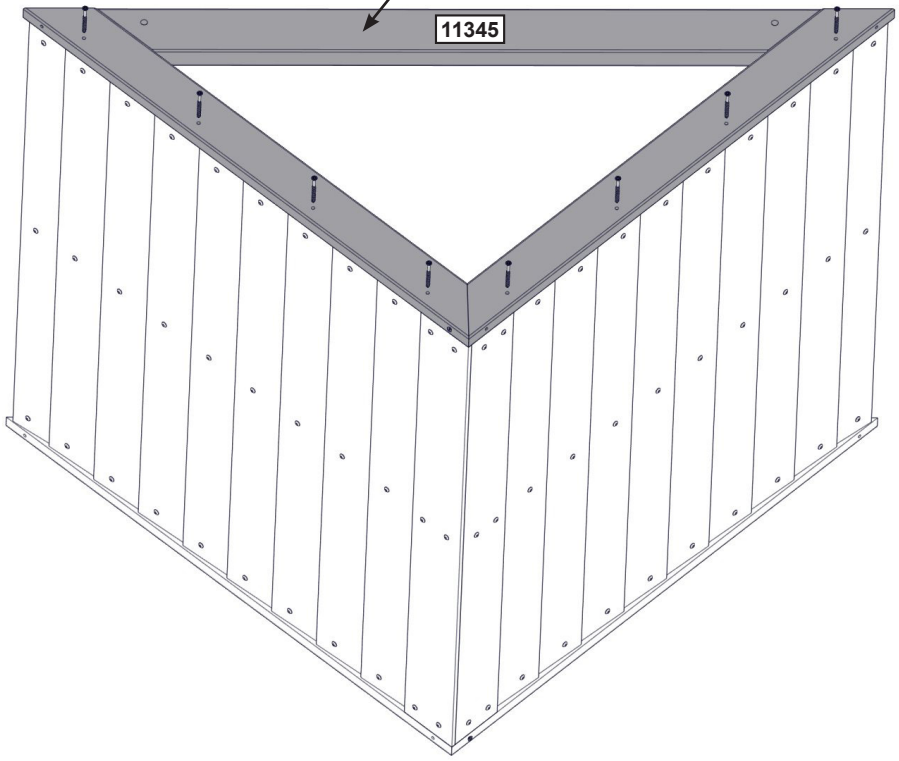
4 x S11 #8 x 50.8mm (#8 x 2")

96

Carefully flip frame upside down.



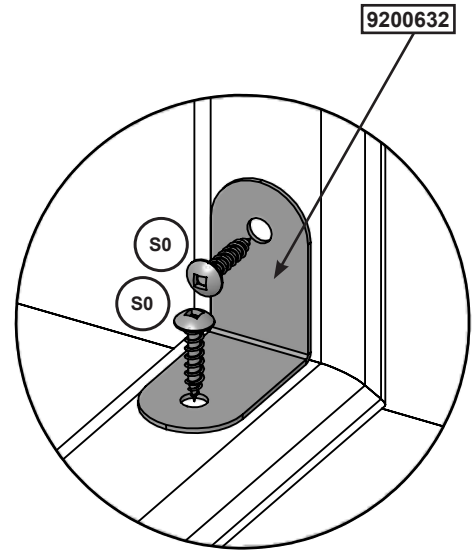
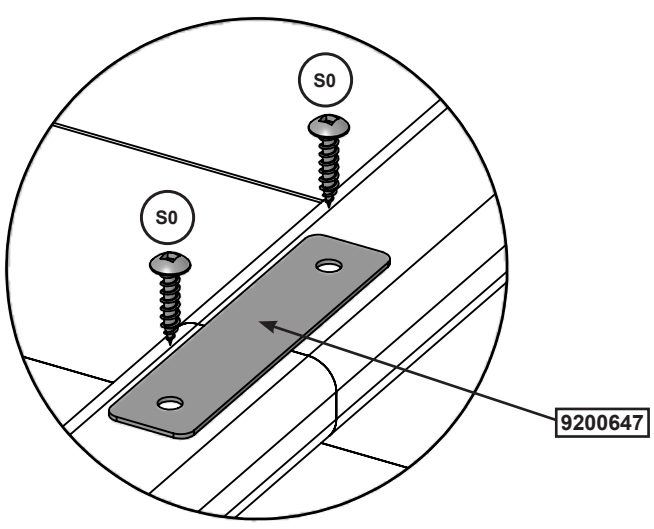
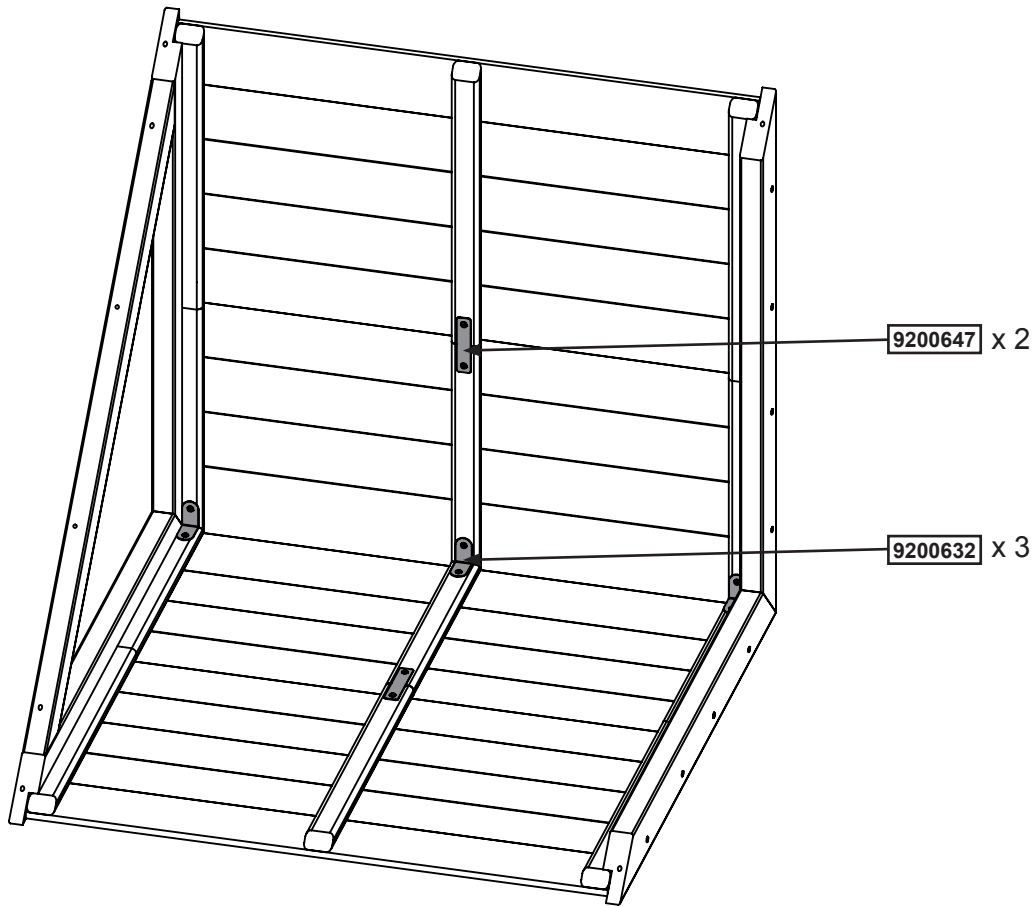
Pre-assembled in Step 92-93.



**Hardware**

8 x  #8 x 50.8 mm (#8 x 2")





**Hardware**

10 x #8 x 22.2 mm (#8 x 7/8")

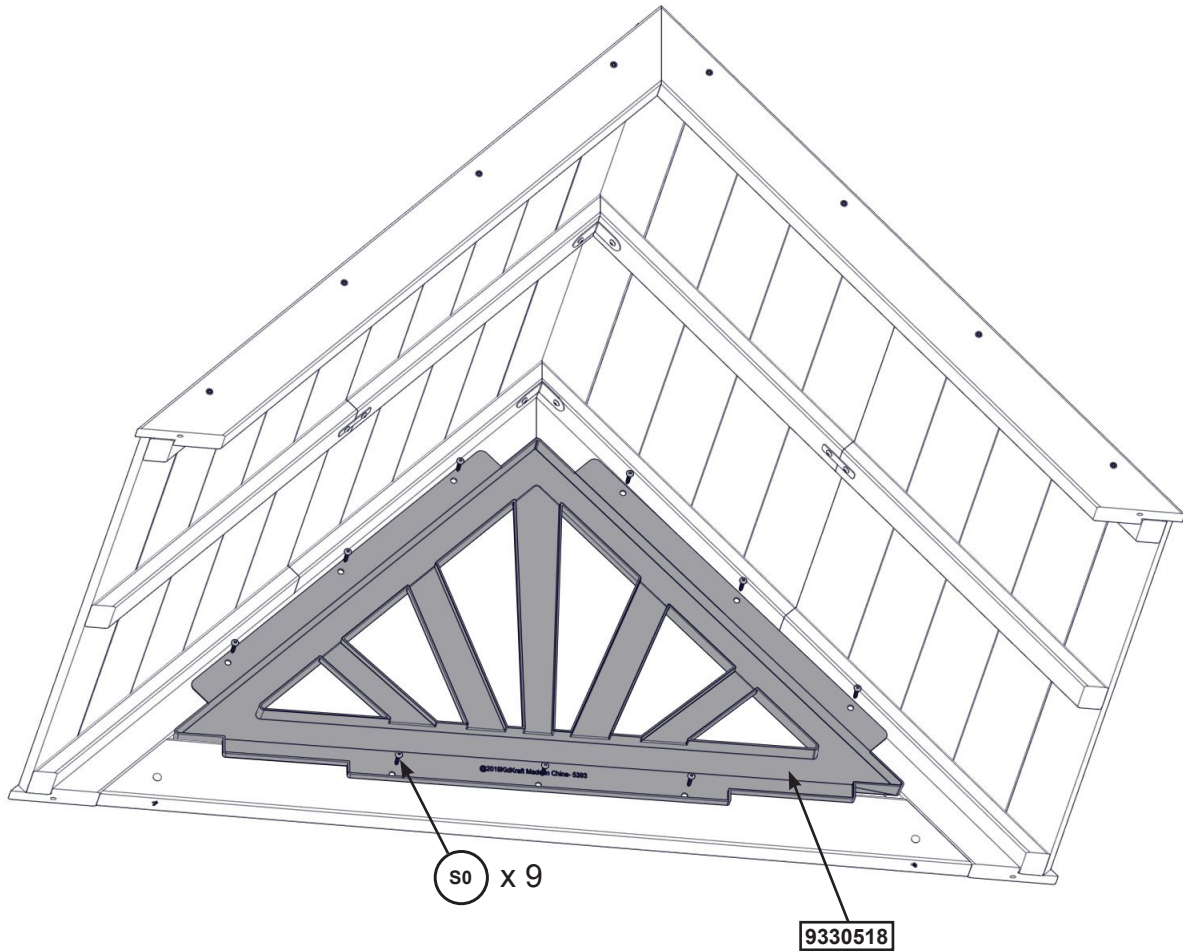
**Other Parts**

3 x

2 x



Center in the opening



Inside View

**Hardware**

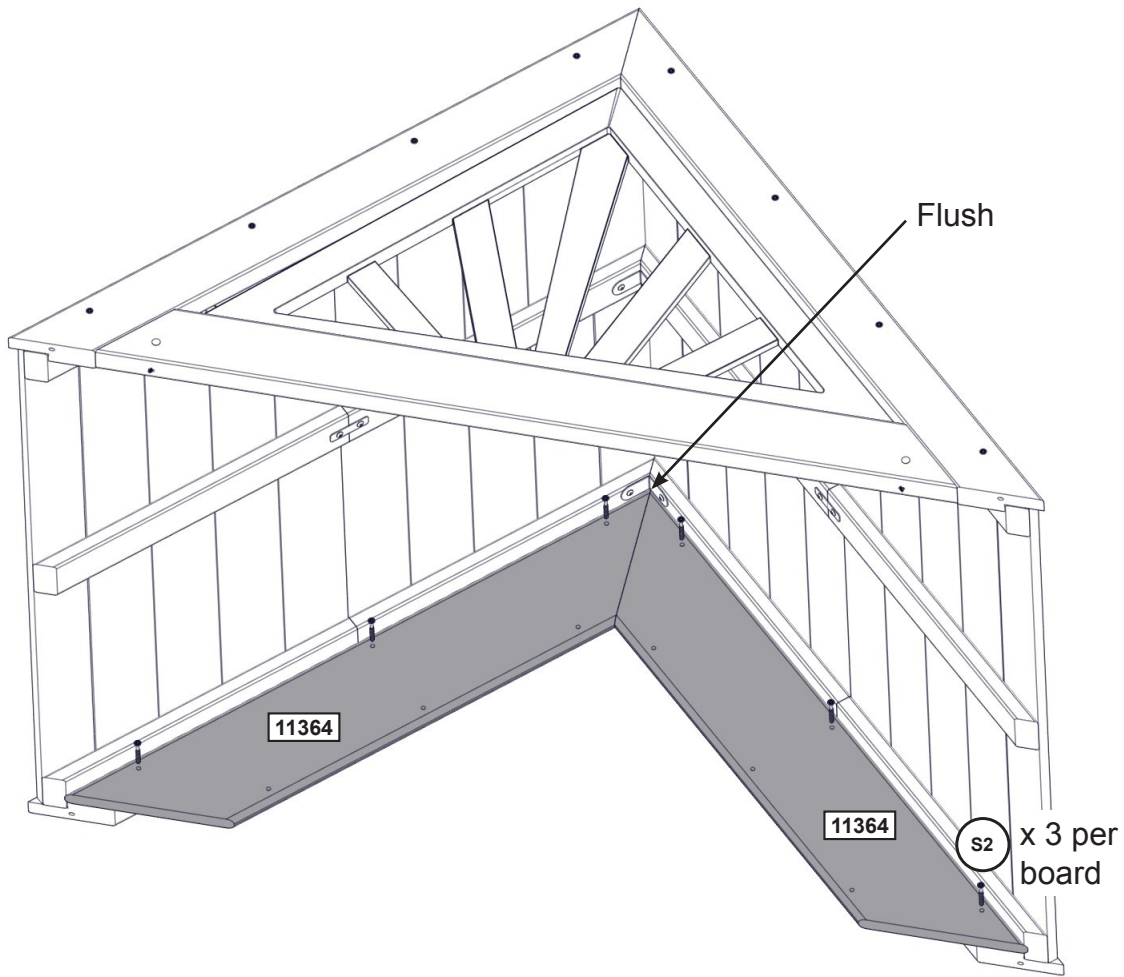
9 x **S0** #8 x 22.2 mm (#8 x 7/8")

**Other Parts**

1 x **9330518**







**Wood Parts**

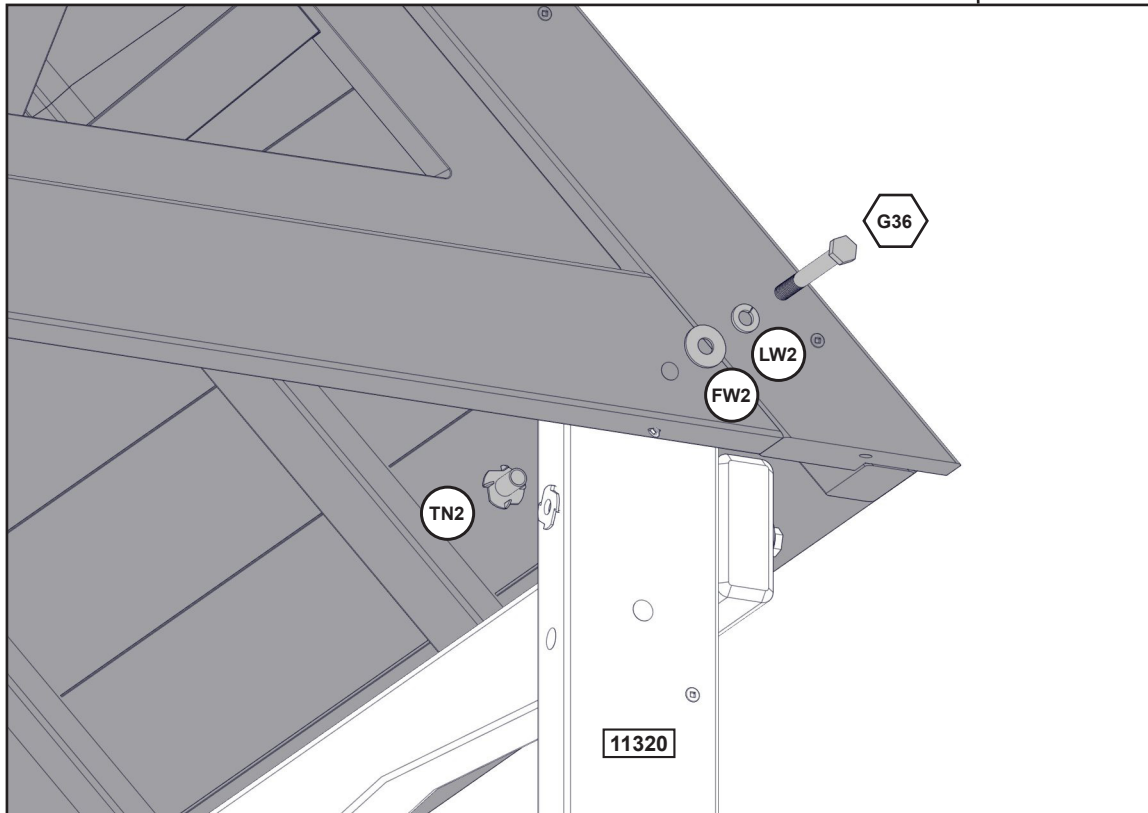
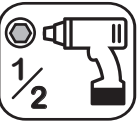
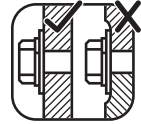
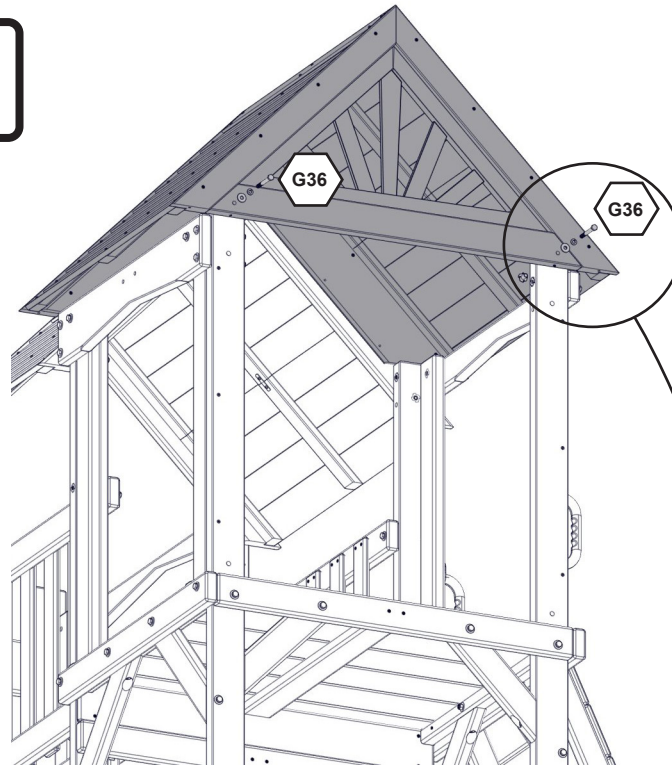
2 x **11364** 15.9 mm x 136.5 mm x 770 mm (5/8" x 5 3/8" x 30 5/16")

**Hardware**

6 x **S2** #8 x 38.1 mm (#8 x 1-1/2")

100

Assemble T-Nuts first with hammer!



**Hardware**

2 x  7.9 x 69.9 mm (5/16 x 2-3/4") (LW2, FW2, TN2)

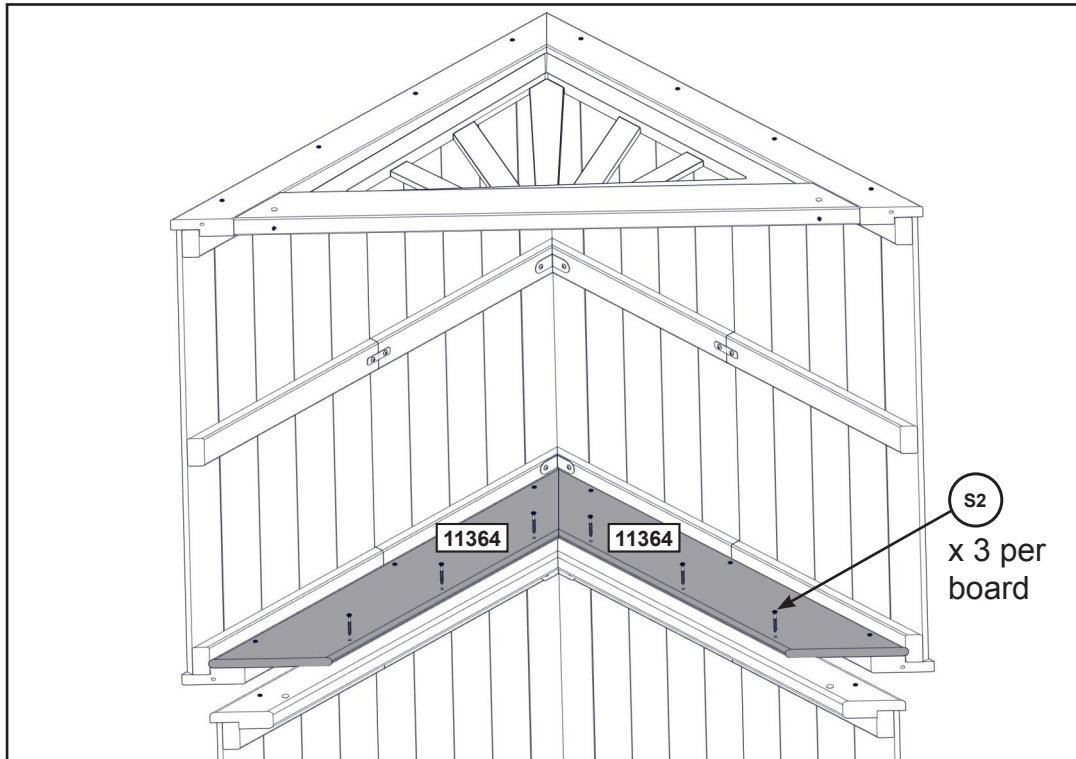
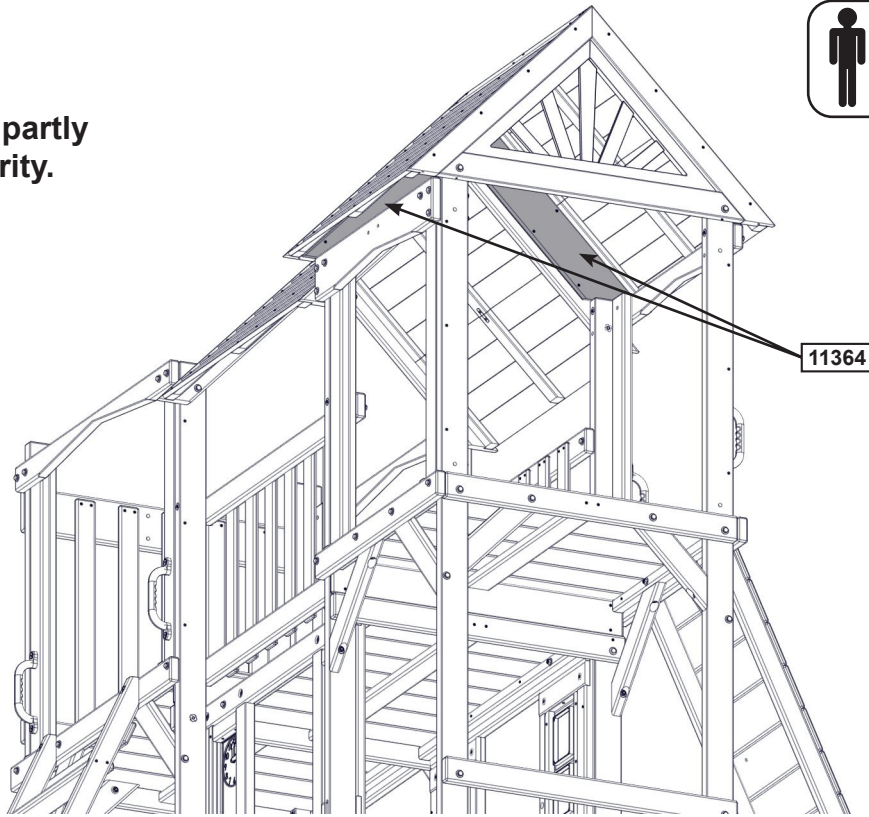
europcustomerservice@kidkraft.com  
+31 20 305 8620  
M-F from 09:00 to 17:30 (GMT+1)

parts.kidkraft.eu



101

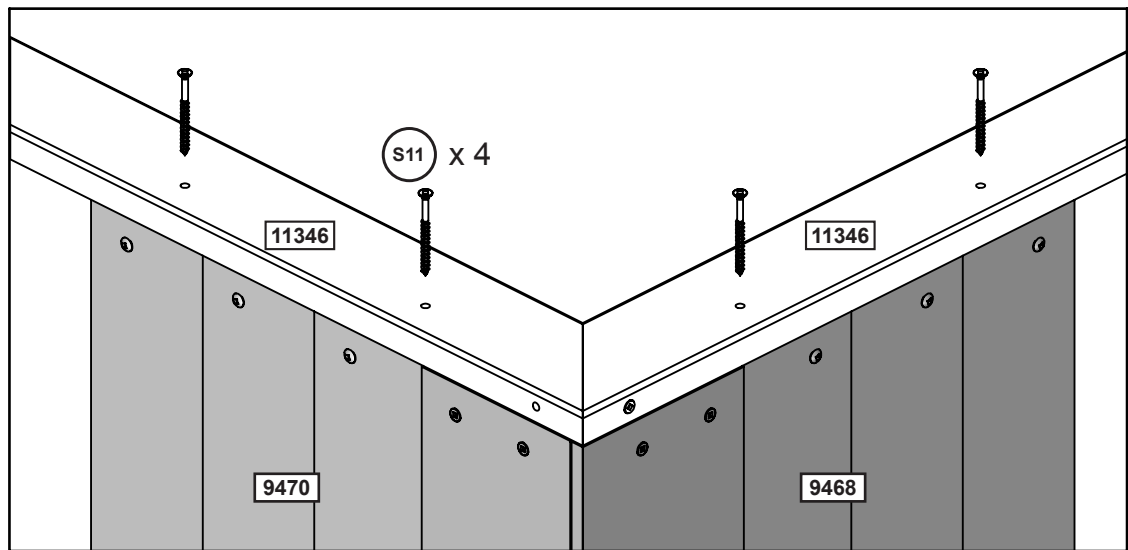
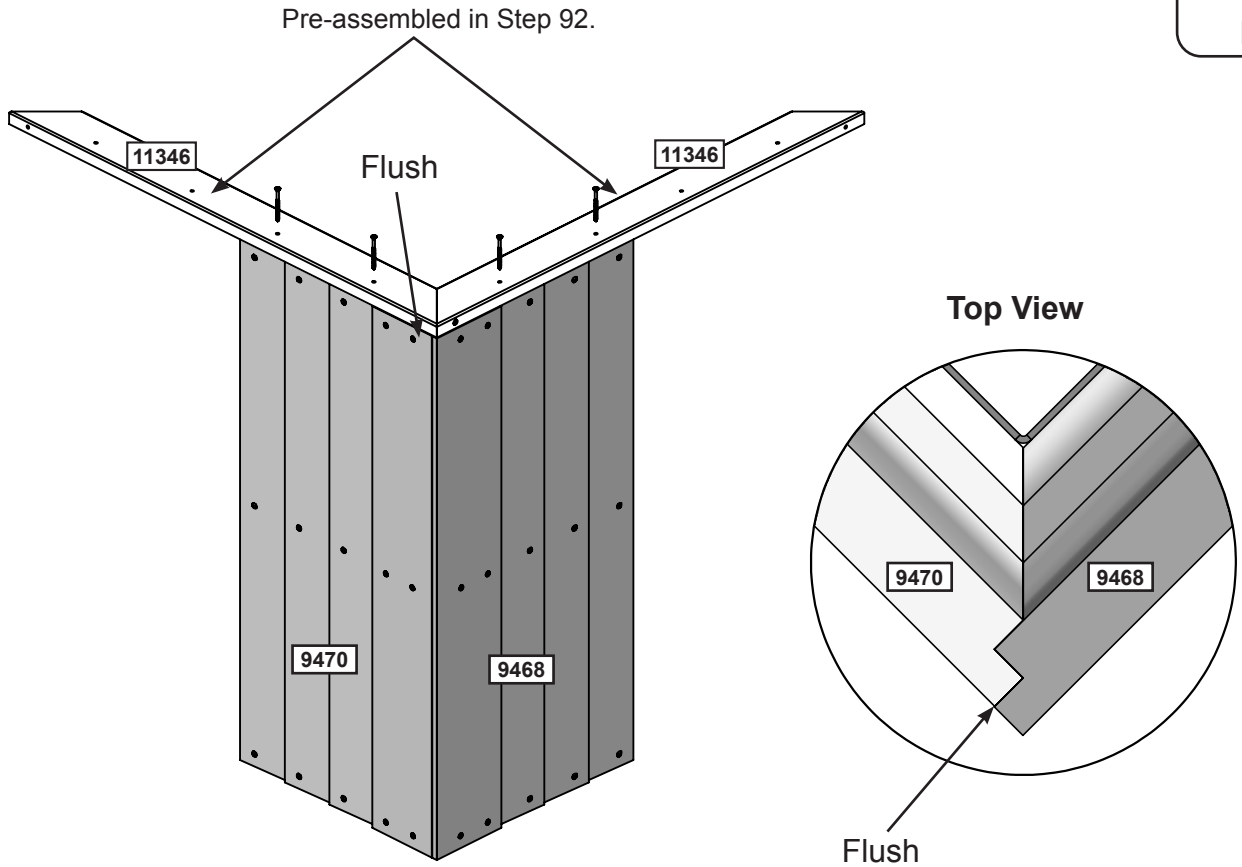
Note: Structure partly removed for clarity.



Inside and Underneath View

Hardware

6 x **S2** #8 x 38.1 mm (#8 x 1-1/2")



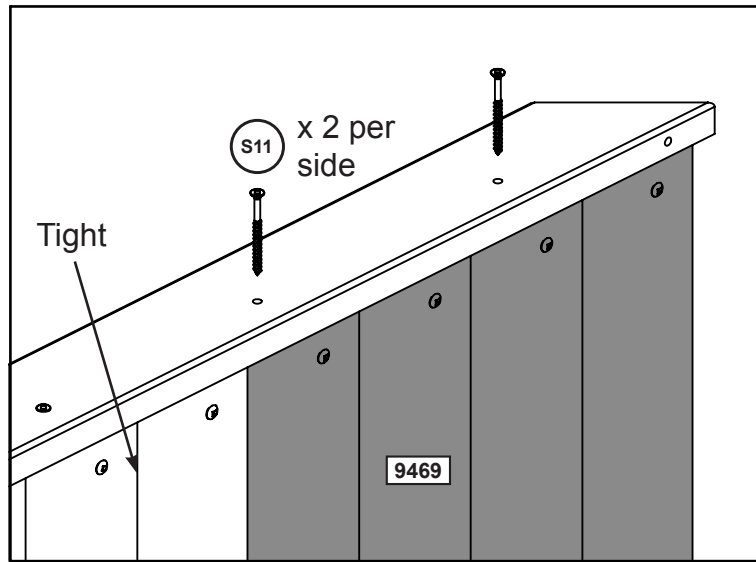
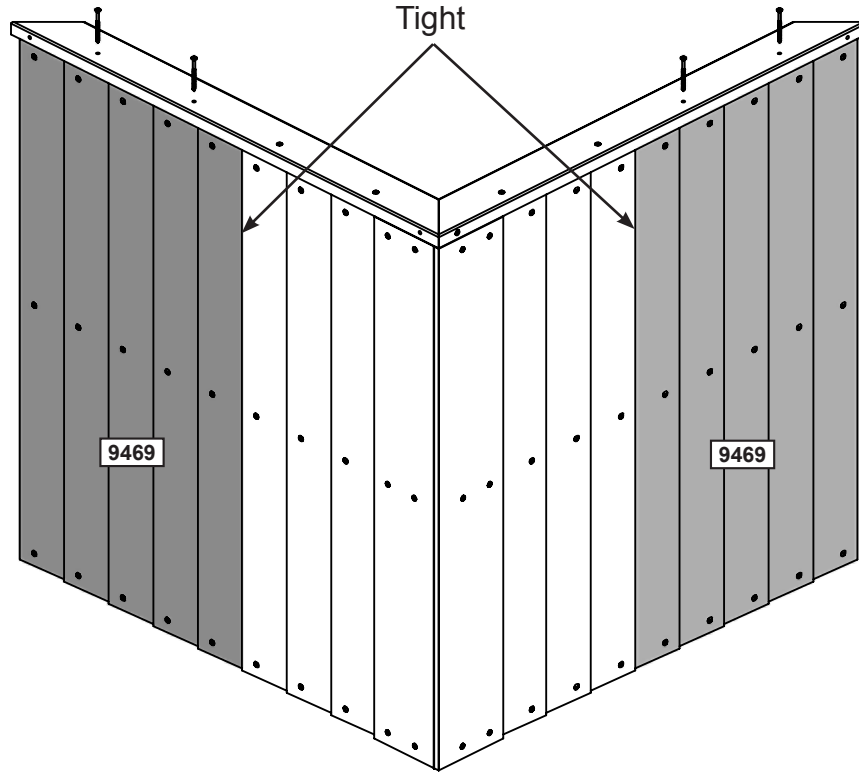
**Wood Parts**

- 1 x 9468 31.8 mm x 424.2 mm x 1086.8 mm (1 1/4" x 16 11/16" x 42 13/16")
- 1 x 9470 31.8 mm x 418.7 mm x 1086.8 mm (1 1/4" x 16 1/2" x 42 13/16")

**Hardware**

- 4 x S11 #8 x 50.8mm (#8 x 2")





**Wood Parts**

2 x **9469** 31.8 mm x 405 mm x 1086.8 mm (1 1/4" x 15 15/16" x 42 13/16")

**Hardware**

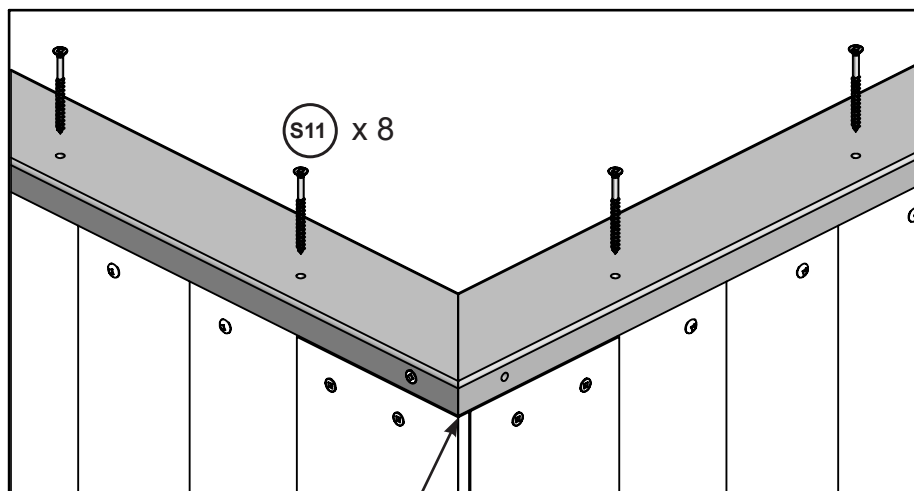
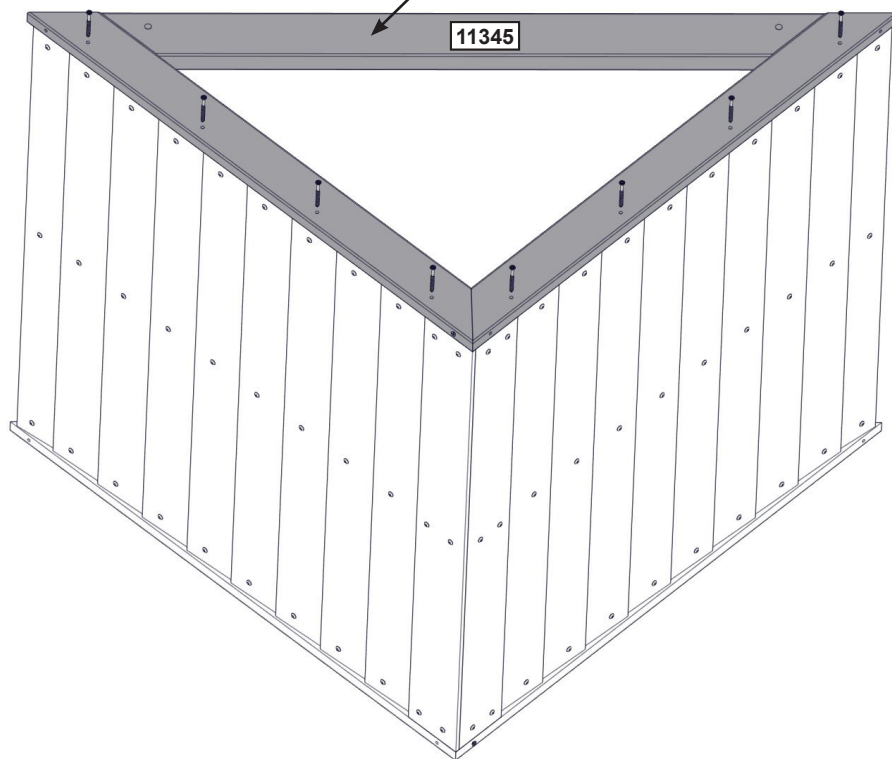
4 x **S11** #8 x 50.8mm (#8 x 2")

104

Carefully flip frame upside down.



Pre-assembled in Step 92-93.



Flush

**Hardware**

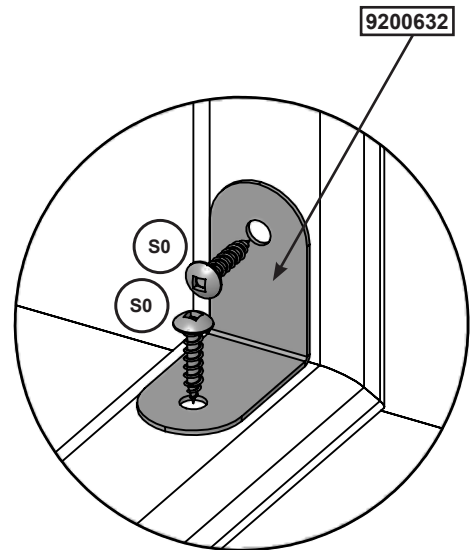
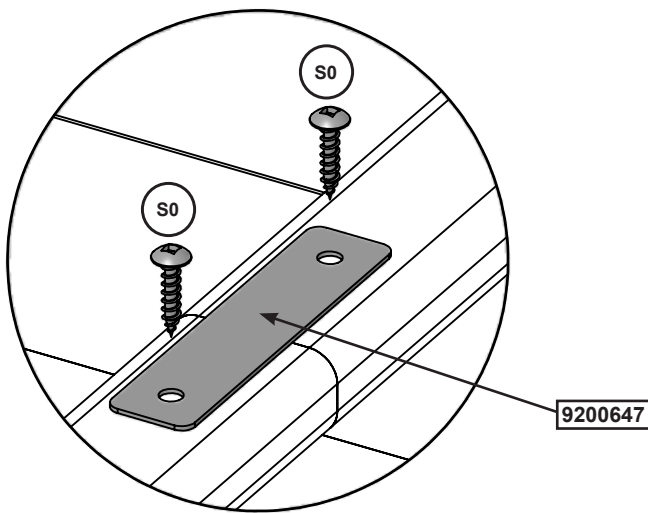
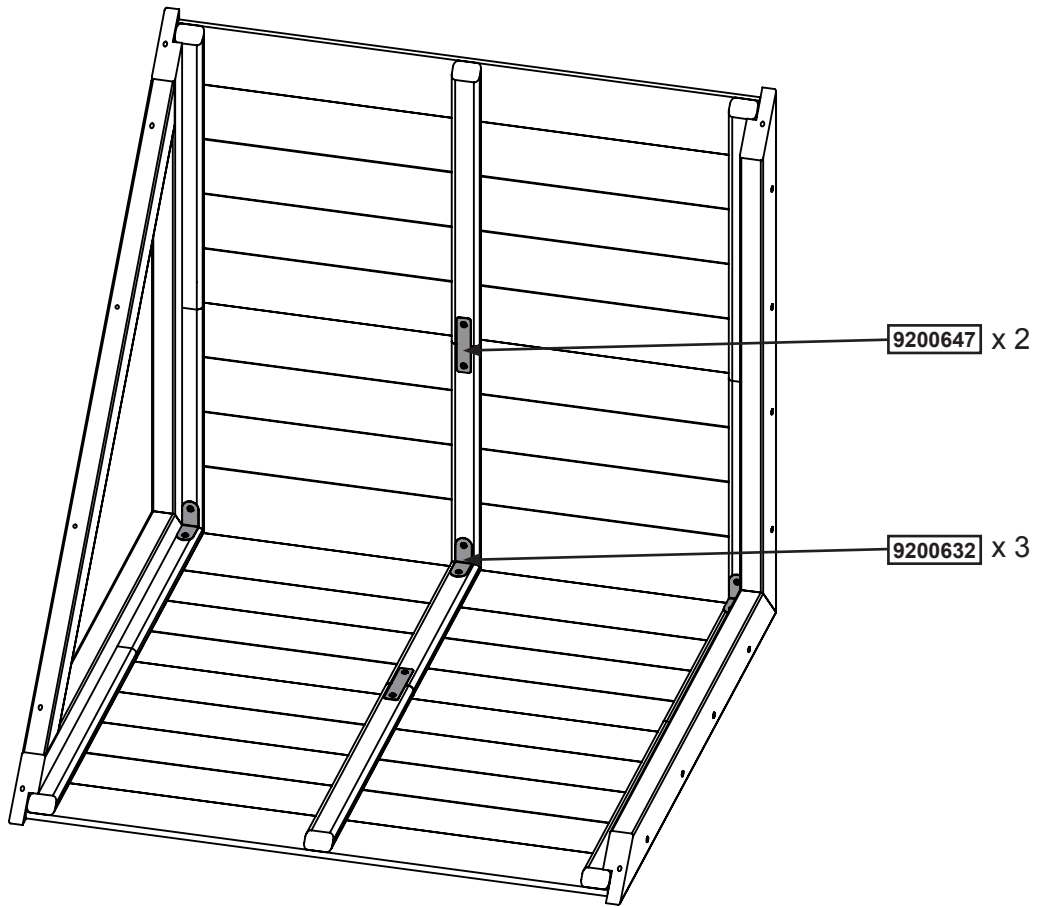
8 x  #8 x 50.8 mm (#8 x 2")

europcustomerservice@kidkraft.com  
+31 20 305 8620  
M-F from 09:00 to 17:30 (GMT+1)

parts.kidkraft.eu







**Hardware**

10 x #8 x 22.2 mm (#8 x 7/8")

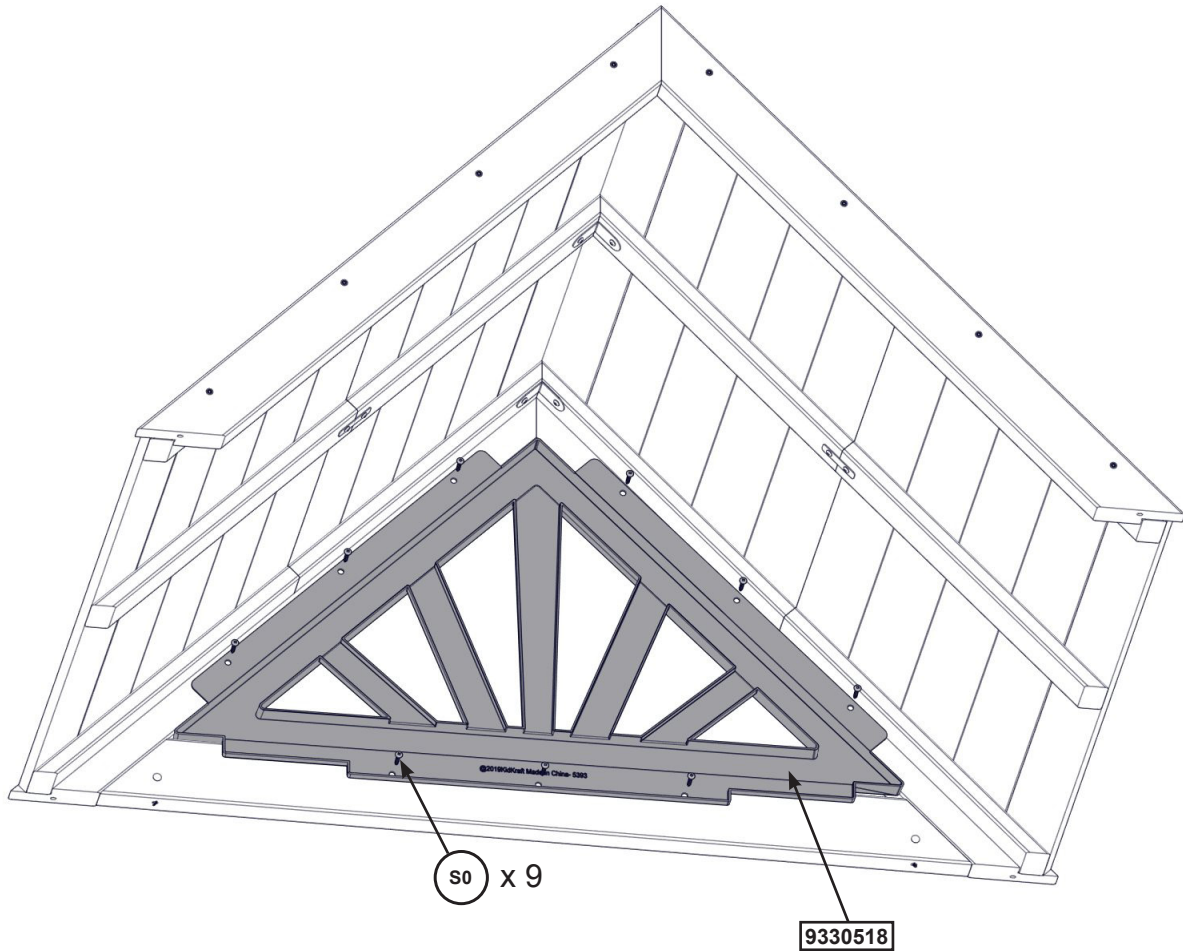
**Other Parts**

3 x

2 x



Center in the opening

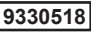


Inside View

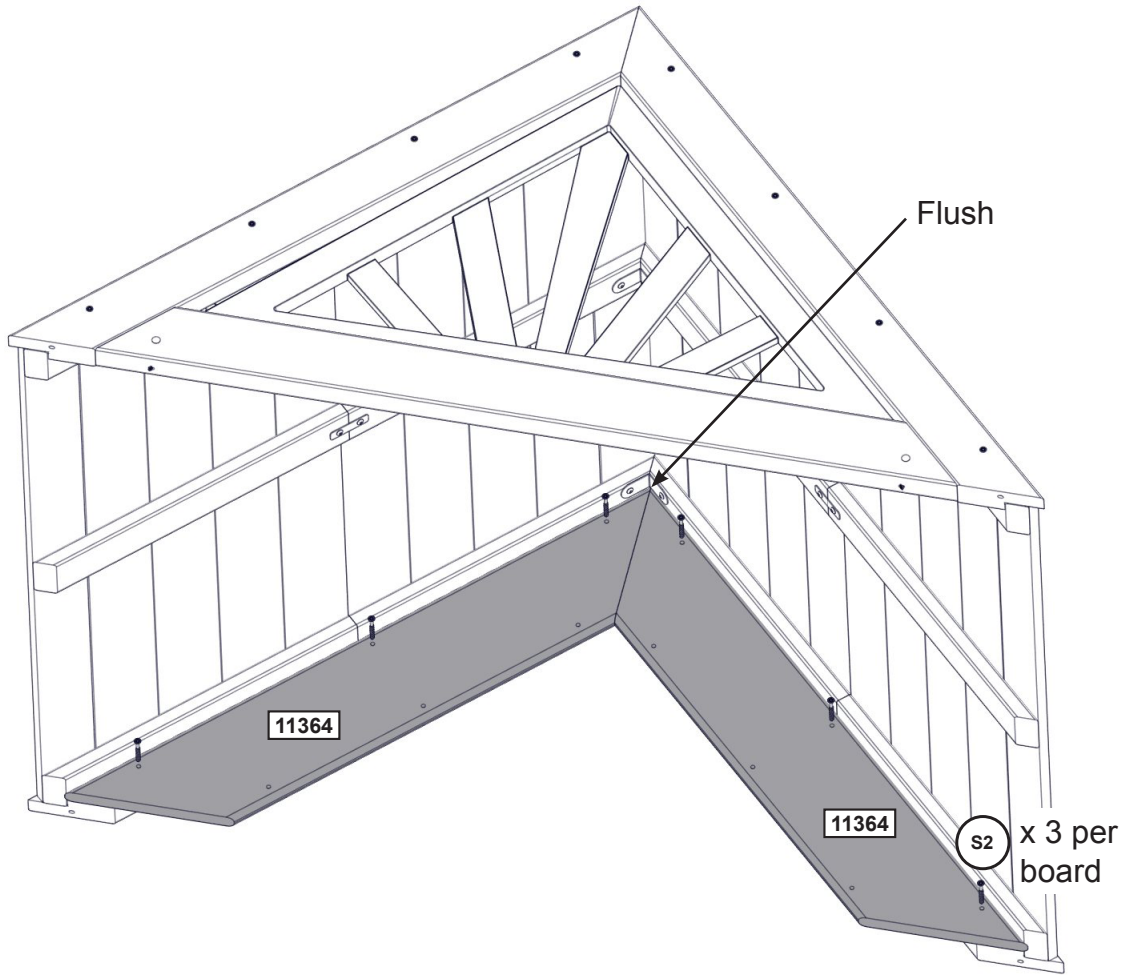
**Hardware**

9 x  #8 x 22.2 mm (#8 x 7/8")

**Other Parts**

1 x 





**Wood Parts**

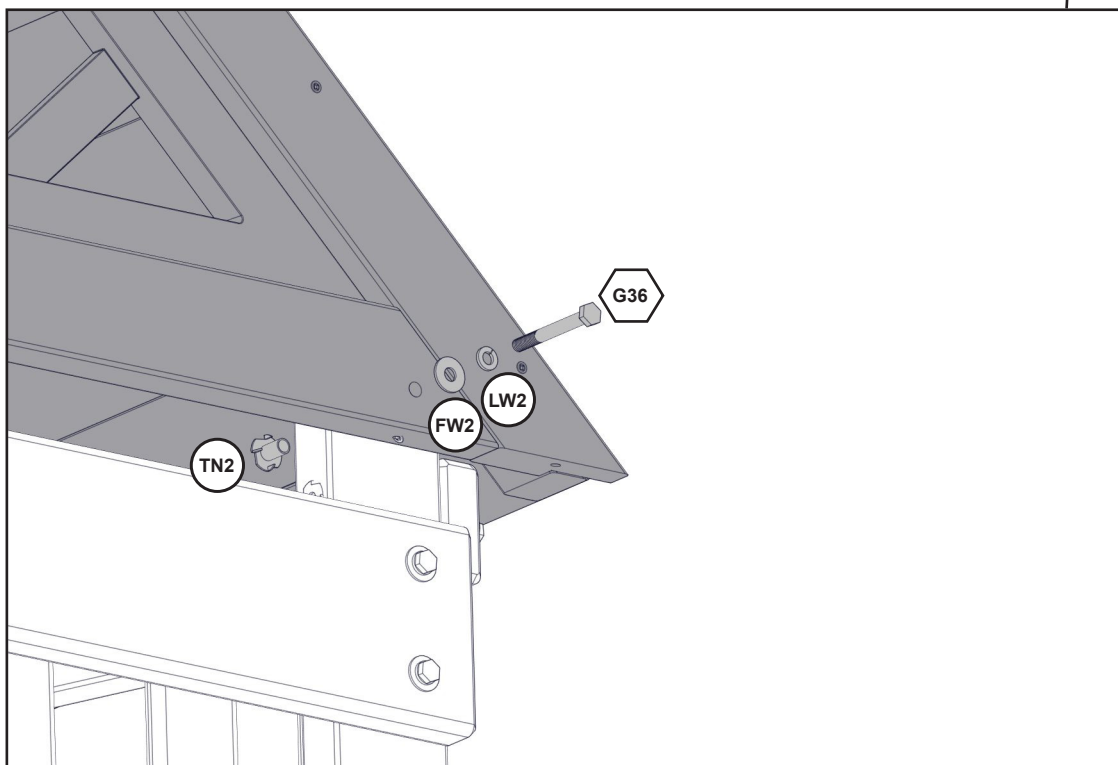
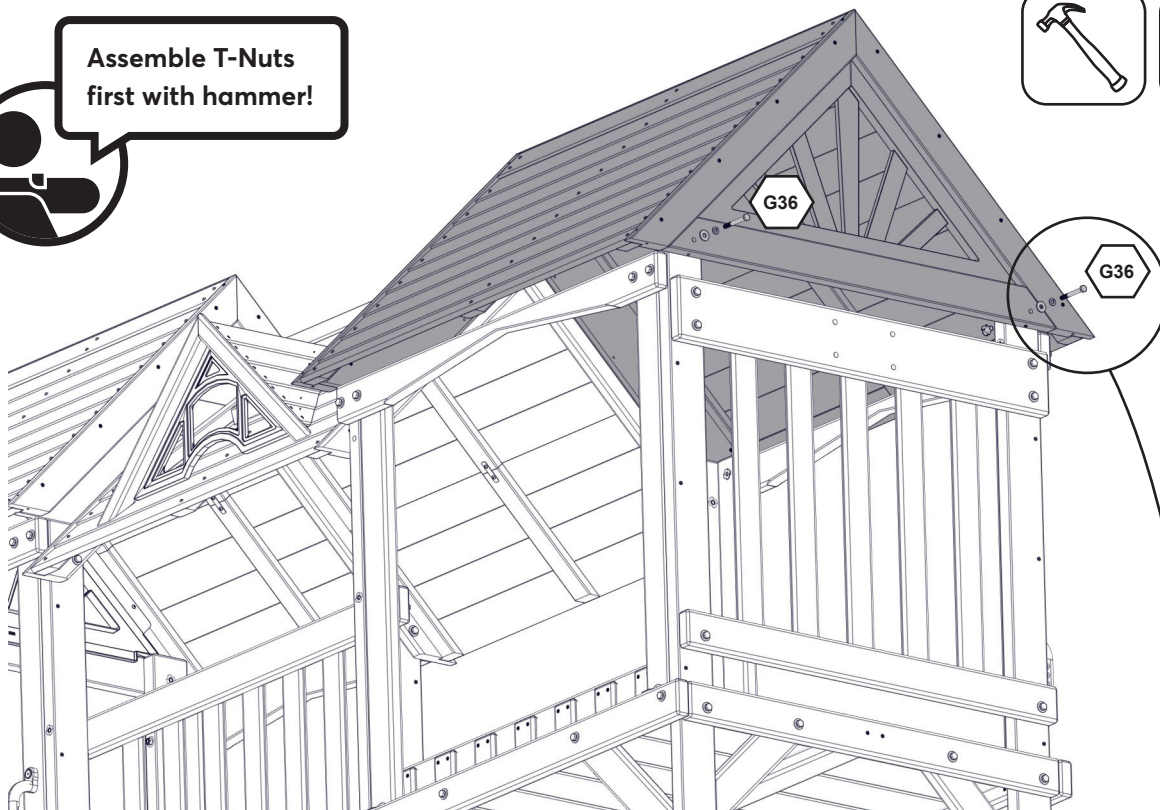
2 x **11364** 15.9 mm x 136.5 mm x 770 mm (5/8" x 5 3/8" x 30 5/16")

**Hardware**

6 x **S2** #8 x 38.1 mm (#8 x 1-1/2")

108

Assemble T-Nuts first with hammer!



**Hardware**

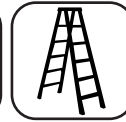
2 x  7.9 x 69.9 mm (5/16 x 2-3/4") (LW2, FW2, TN2)

europcustomerservice@kidkraft.com  
+31 20 305 8620  
M-F from 09:00 to 17:30 (GMT+1)

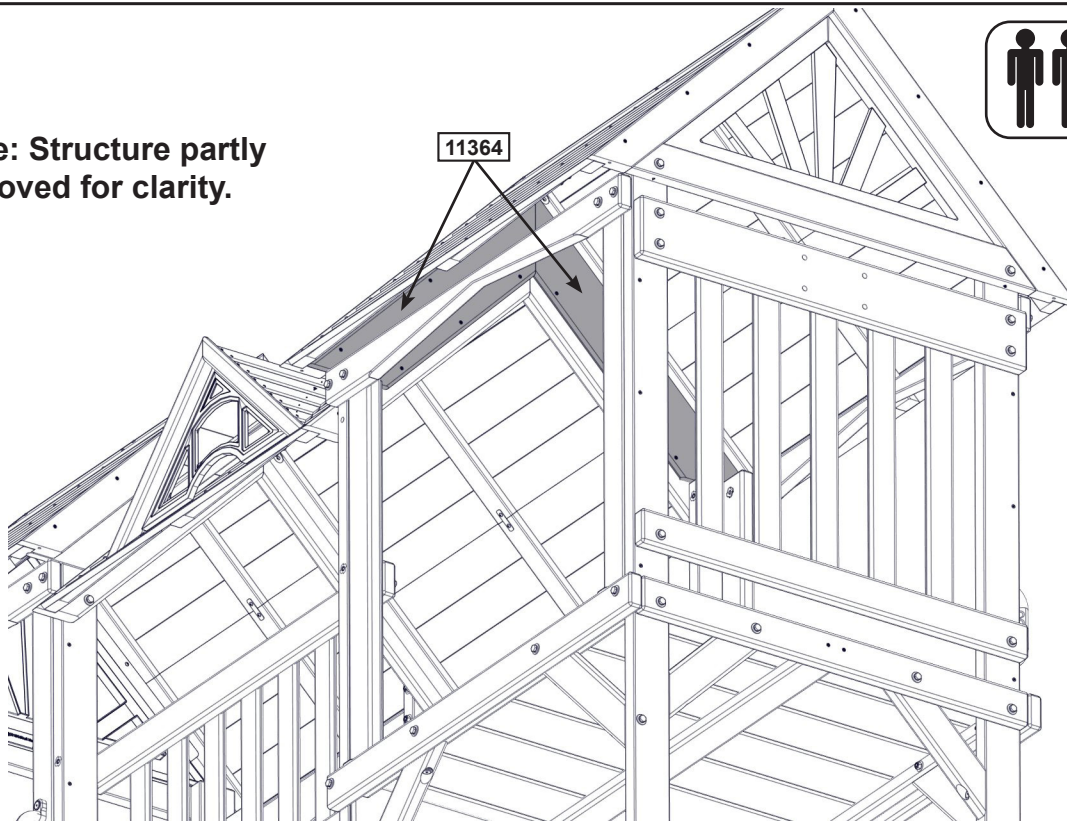
parts.kidkraft.eu



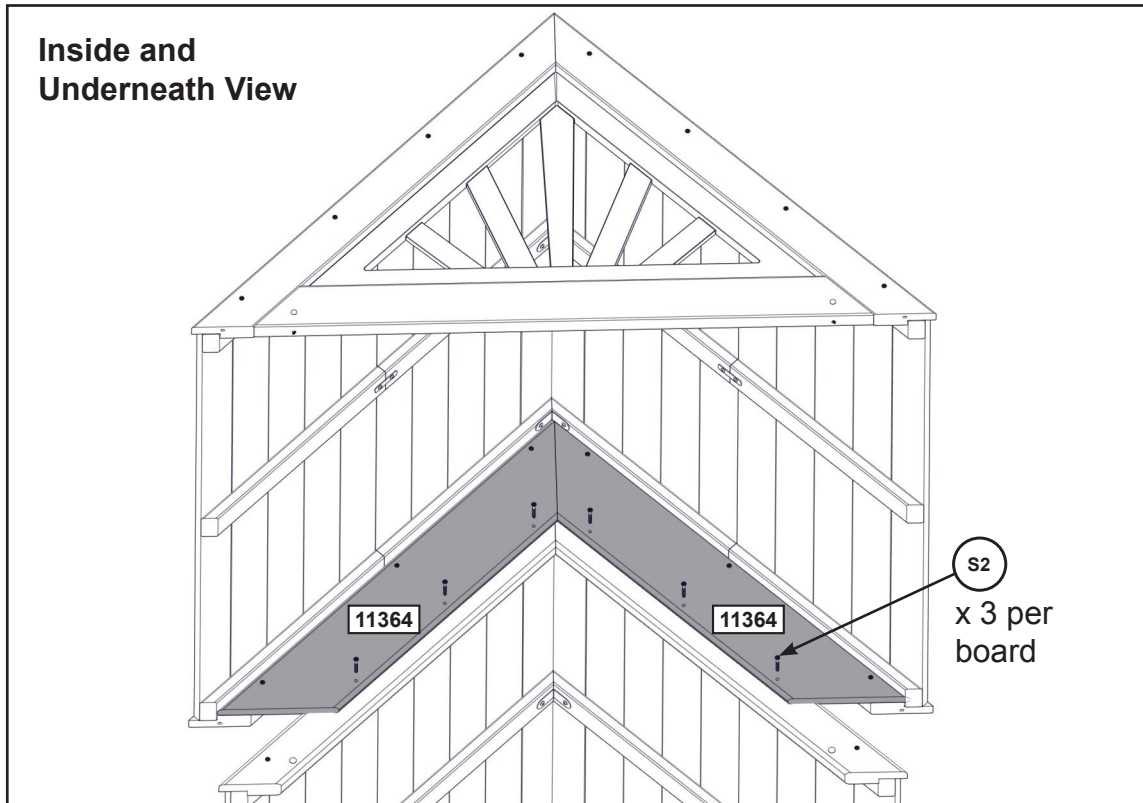




Note: Structure partly removed for clarity.

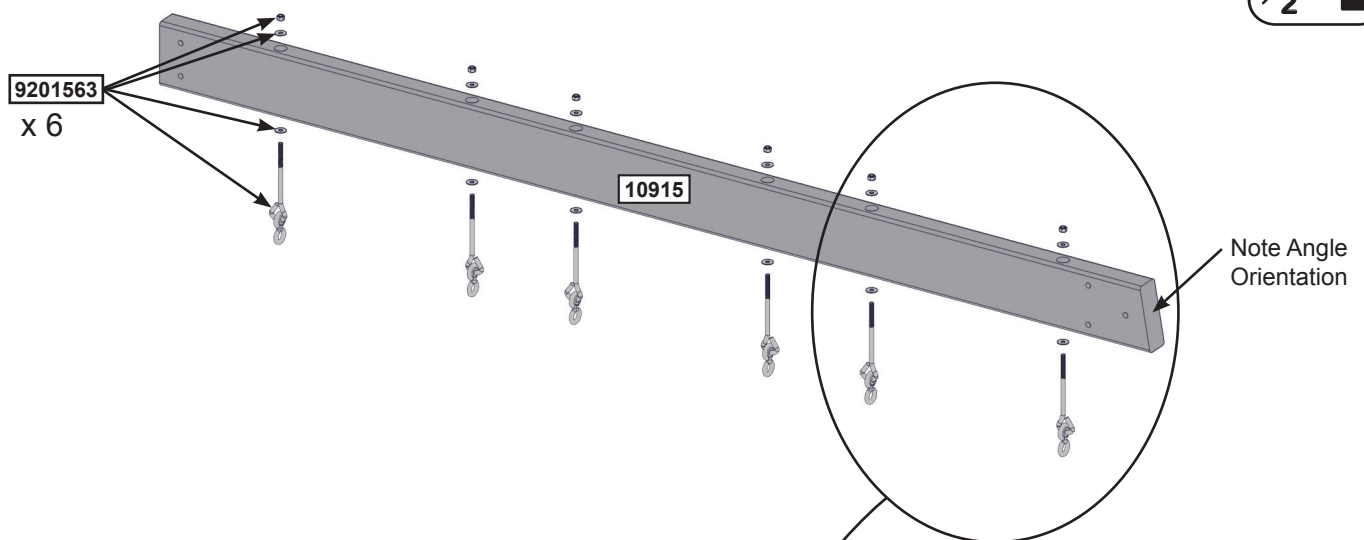


Inside and Underneath View

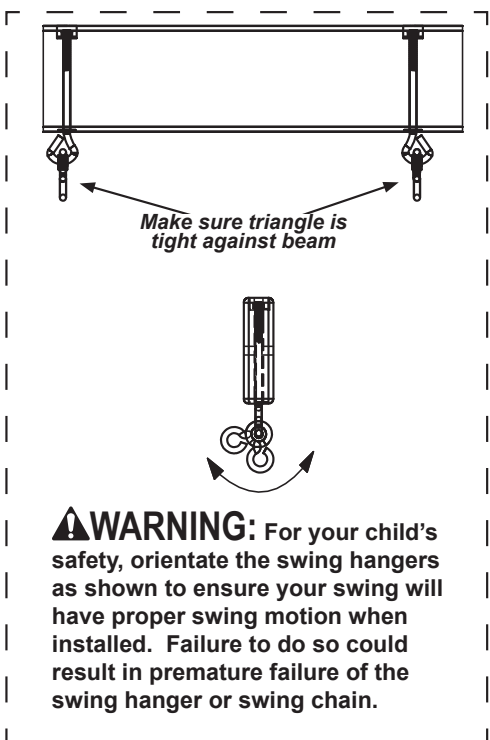
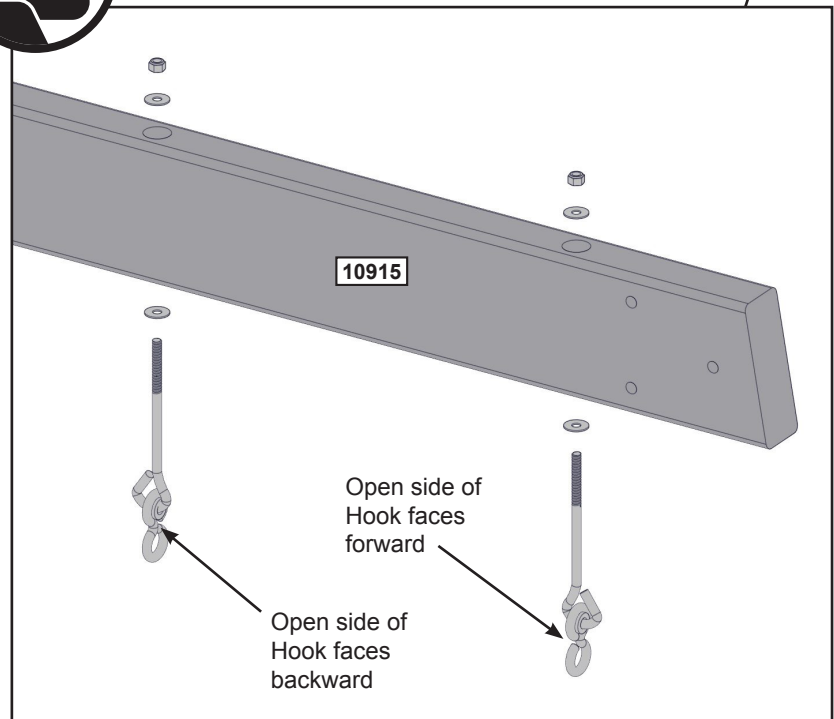


Hardware

6 x  #8 x 38.1 mm (#8 x 1-1/2")



For each swing position, ensure the open sides of the hooks face AWAY from each other.



**Wood Parts**

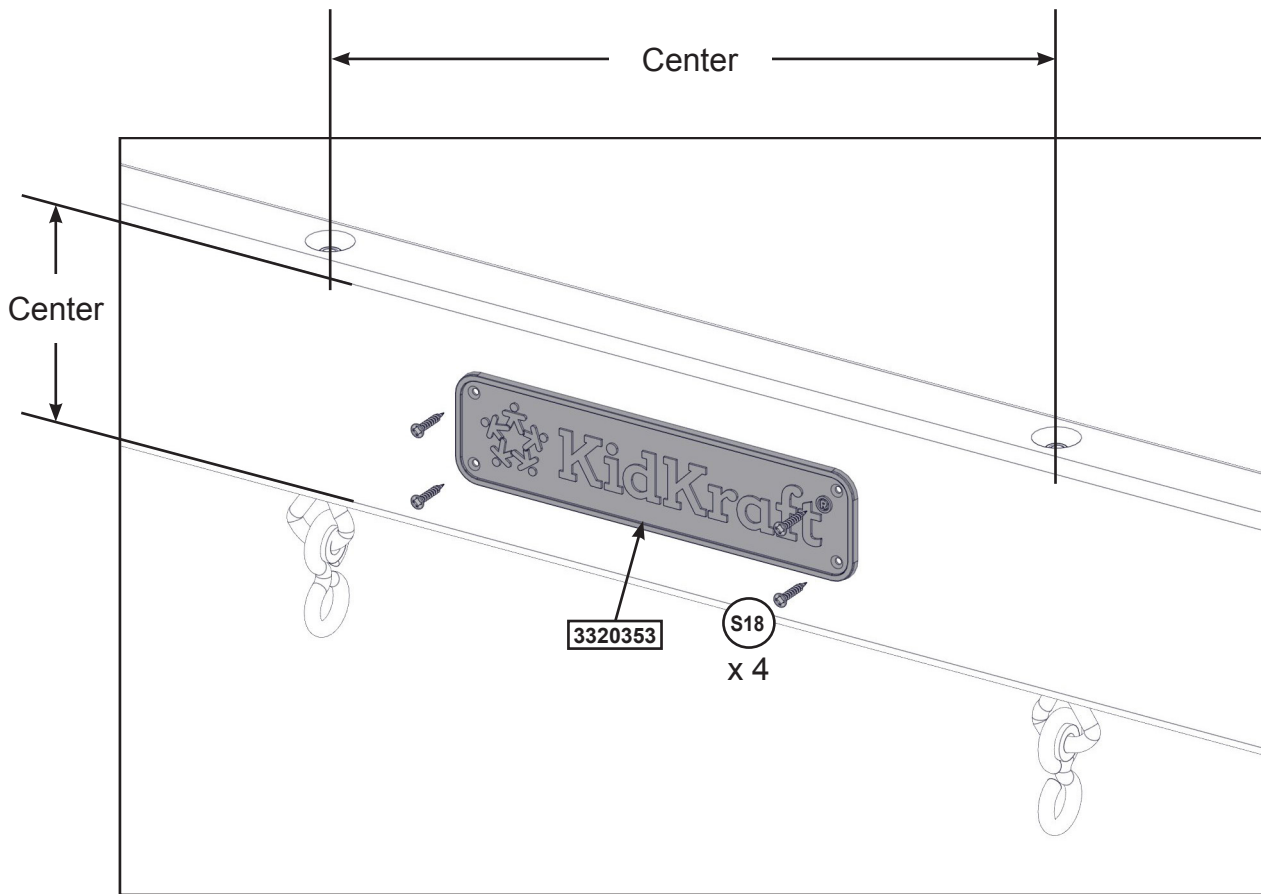
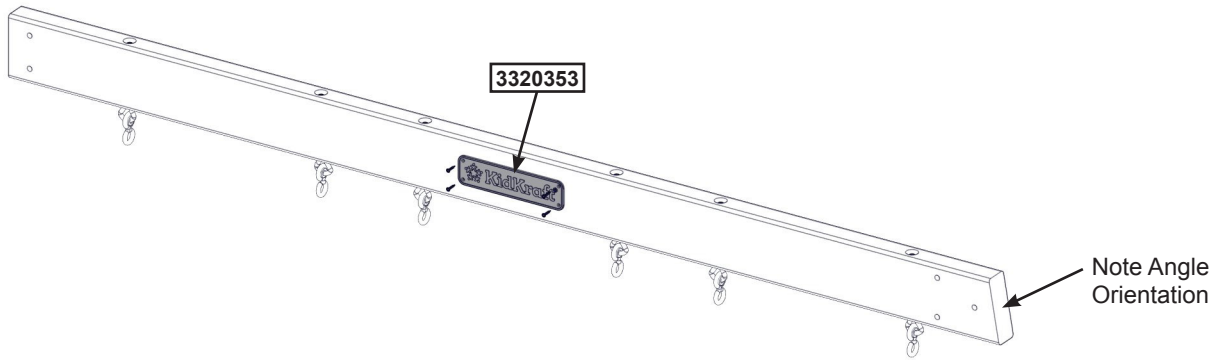
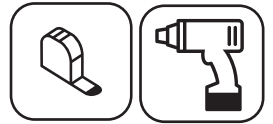
1 x 10915 50.8 x 133.4 x 2235.2 mm (2" x 5 1/4" x 88")

**Other Parts**

6 x 9201563





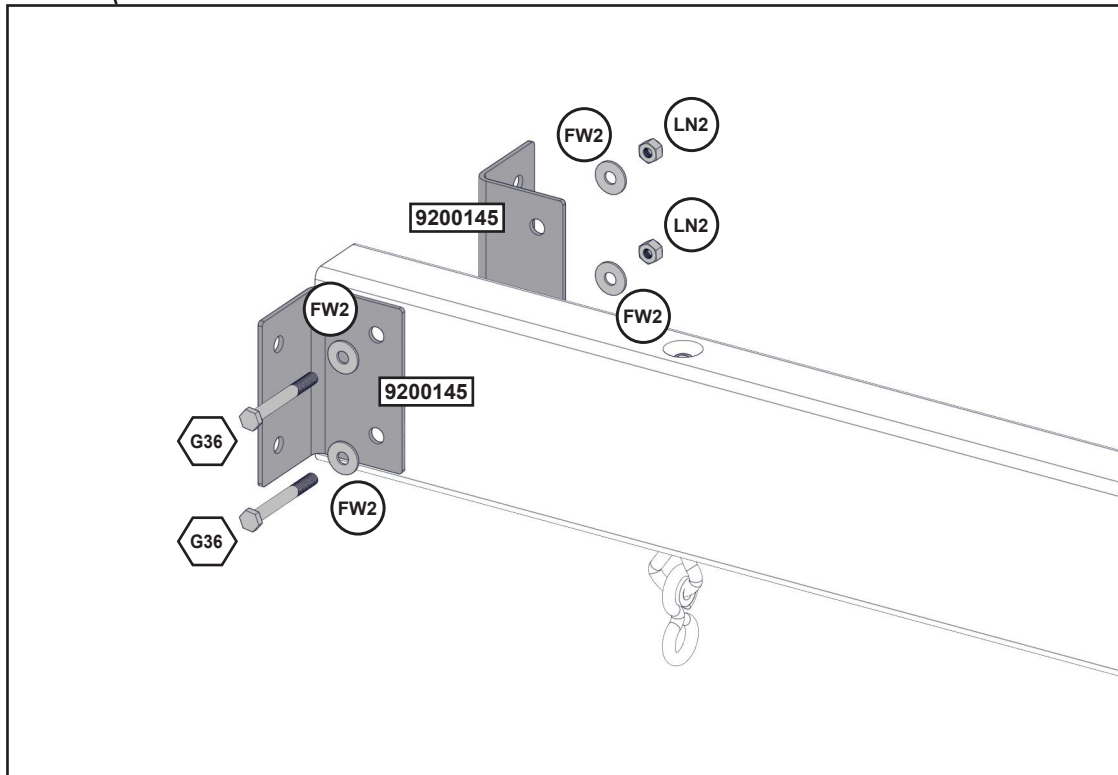
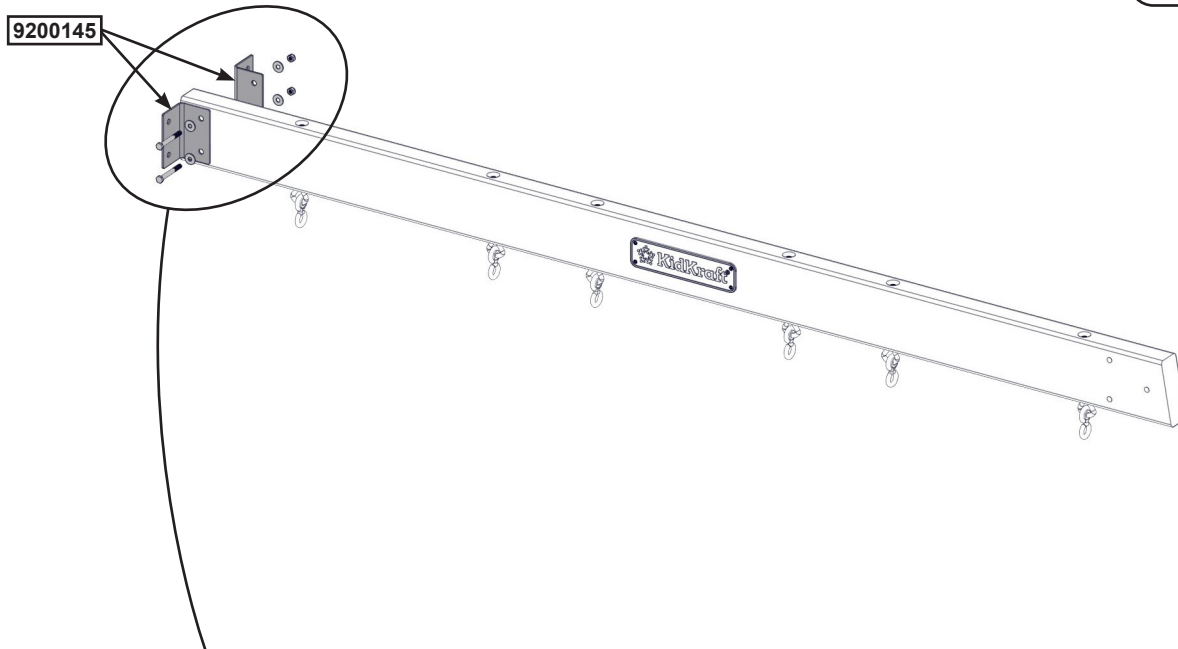
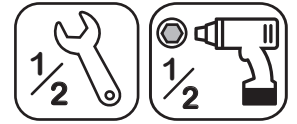


**Hardware**


4 x S18 #6 x 25.4 mm (#6 x 1")

**Other Parts**

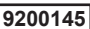
1 x 3320353



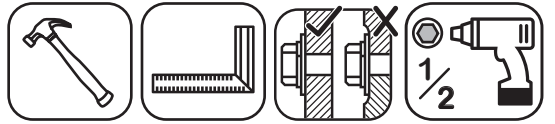
**Hardware**

2 x  7.9 x 69.9 mm (5/16" x 2-3/4") (FW2 x 2, LN2)

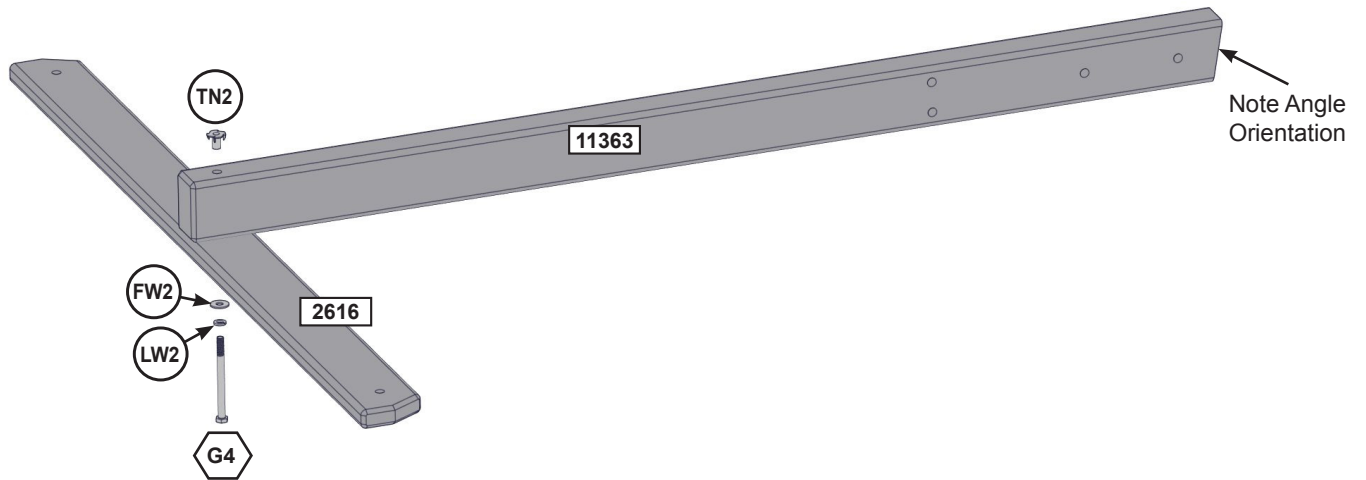
**Other Parts**

2 x 





Assemble T-Nut first with hammer.  
 Make sure the assembly is square.  
 Do not tighten bolt until next Step.



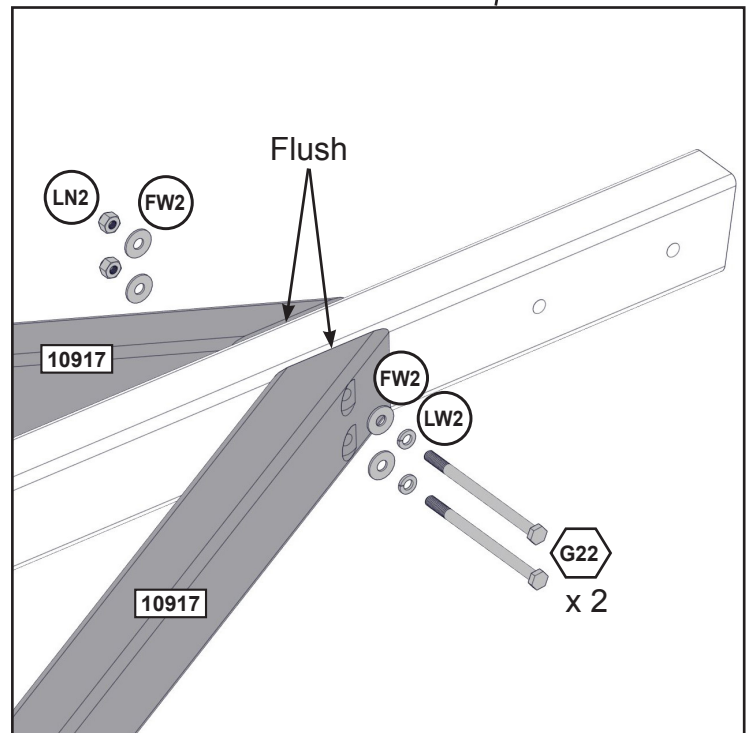
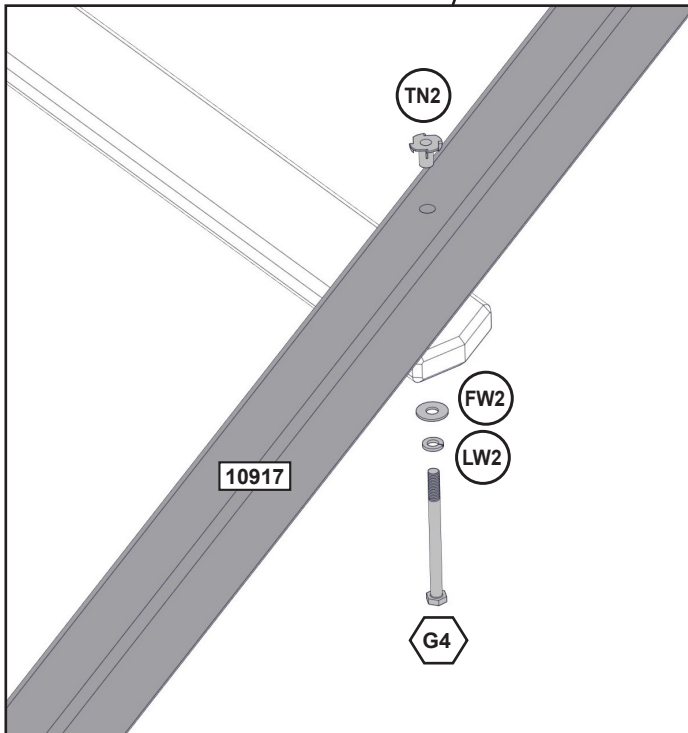
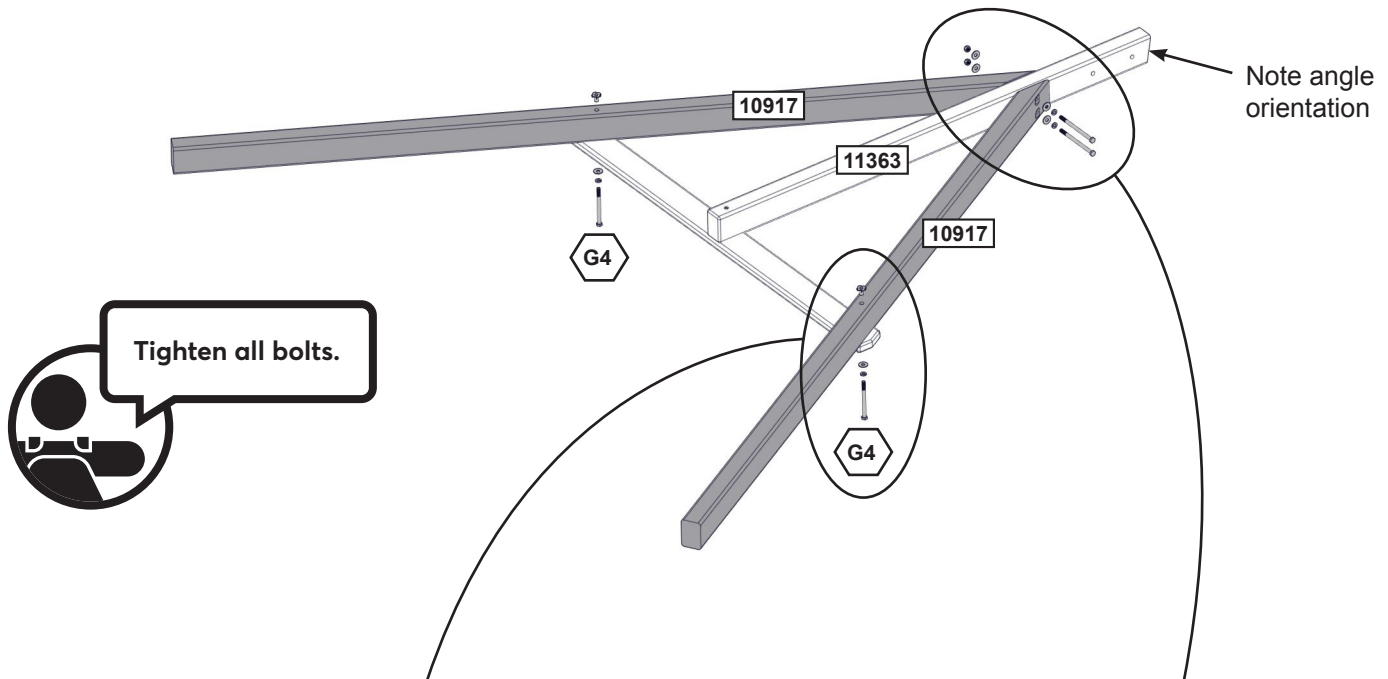
**Wood Parts**

- 1 x **2616** 23.8 mm x 82.6 mm x 1181.1 mm (15/16" x 3 1/4" x 46 1/2")
- 1 x **11363** 50.8 mm x 76.2 mm x 1402.3 mm (2" x 3" x 55 3/16")

**Hardware**

- 1 x **G4** 7.9 x 101.5 mm (5/16 x 4") (LW2, FW2, TN2)

Assemble T-Nuts first with hammer!



**Wood Parts**

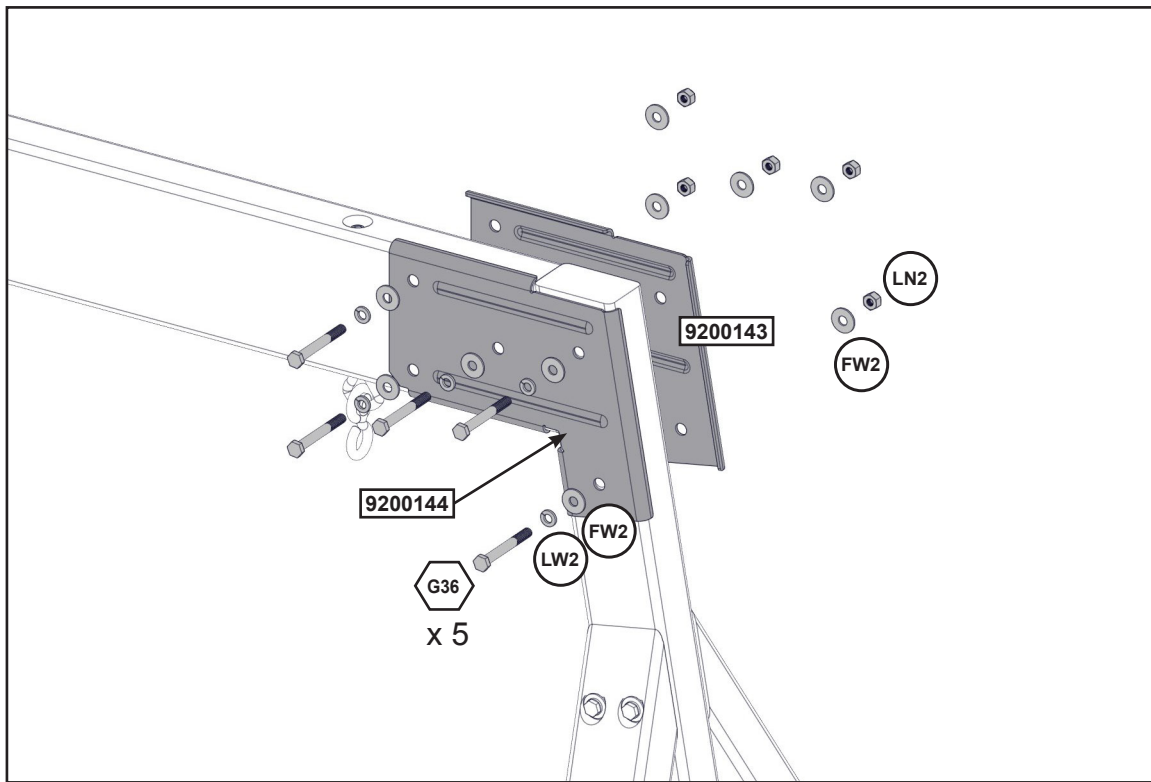
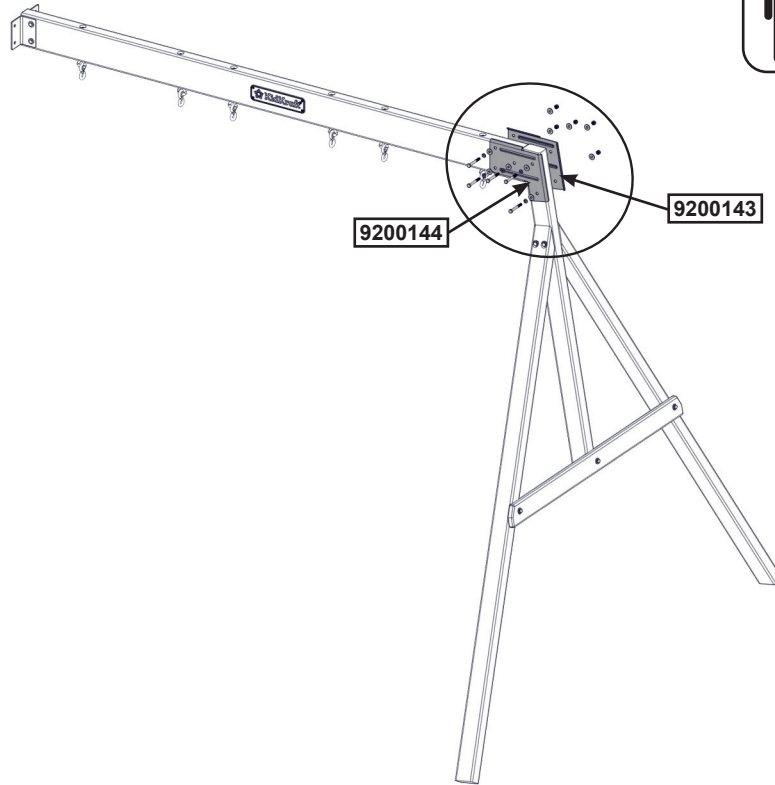
2 x **10917** 50.8 x 76.2 x 2100 mm (2" x 3" x 82 11/16")

**Hardware**

2 x **G22** 7.9 x 127 mm (5/16 x 5") (LW2, FW2 x 2, LN2)

2 x **G4** 7.9 x 101.5 mm (5/16 x 4") (LW2, FW2, TN2)





**Hardware**

5 x 7.9 x 69.9 mm (5/16" x 2-3/4") (FW2 x 2, LW2, LN2)

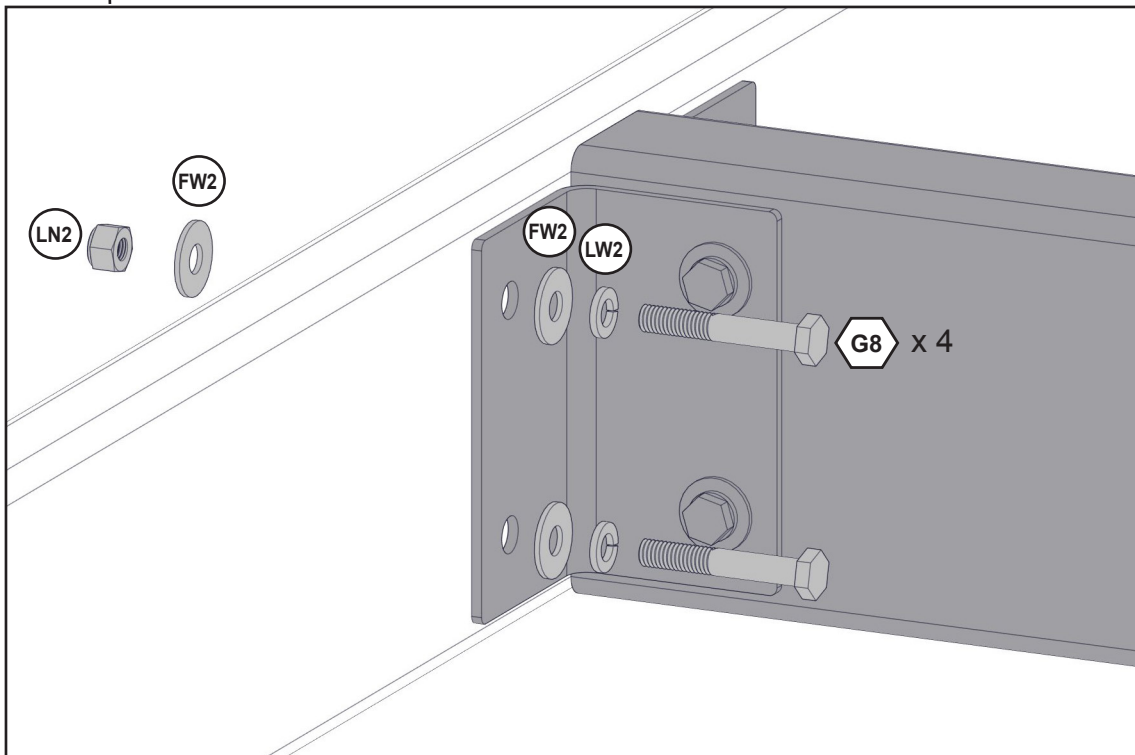
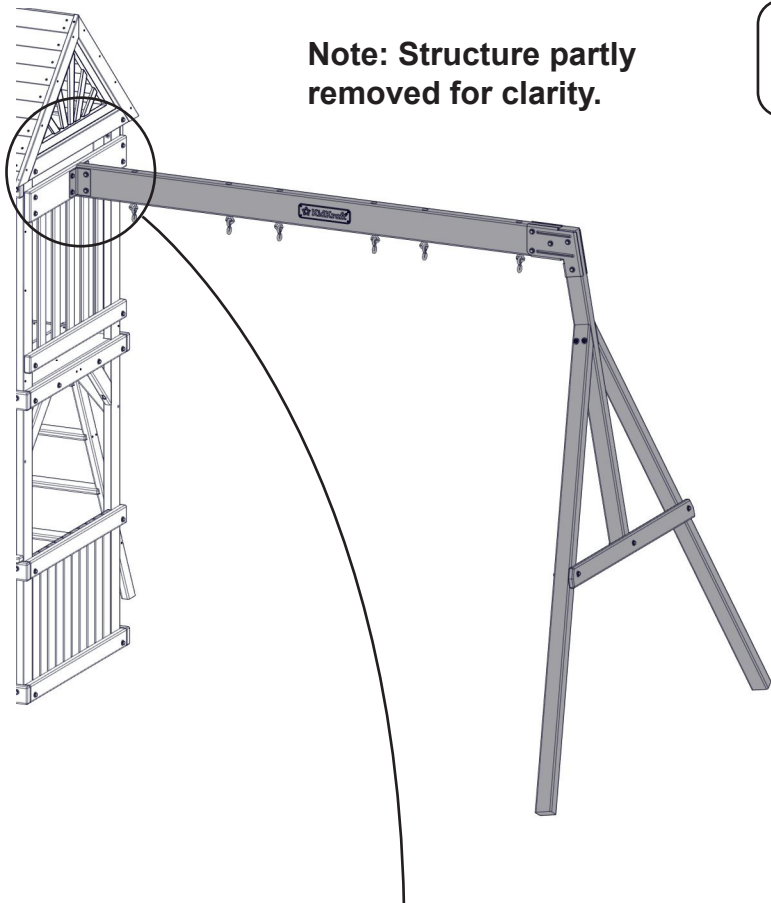
**Other Parts**

1 x

1 x

116

Note: Structure partly removed for clarity.



**Hardware**

4 x **G8** 7.9 x 50.8 mm (5/16 x 2") (LW2, FW2 x 2, LN2)

[europcustomerservice@kidkraft.com](mailto:europcustomerservice@kidkraft.com)  
 +31 20 305 8620  
 M-F from 09:00 to 17:30 (GMT+1)

[parts.kidkraft.eu](http://parts.kidkraft.eu)

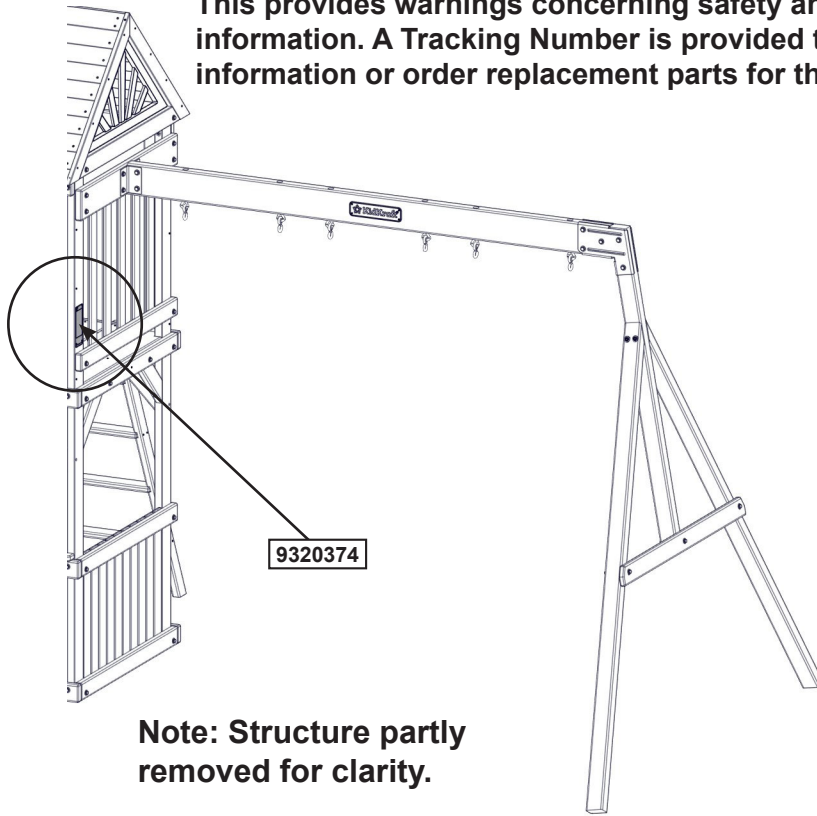




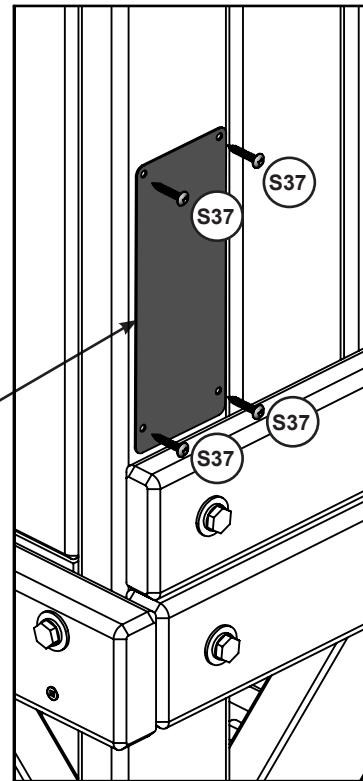
**ATTACH THIS WARNING & I.D. PLAQUE TO THIS LOCATION ON YOUR PLAY EQUIPMENT!**



This provides warnings concerning safety and important contact information. A Tracking Number is provided to allow you to get critical information or order replacement parts for this specific model.



**Note: Structure partly removed for clarity.**



**Hardware**

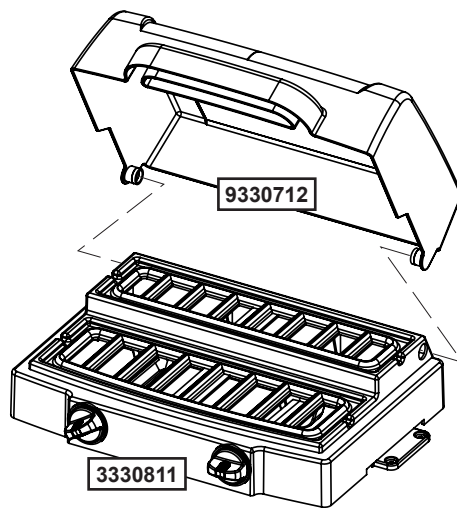
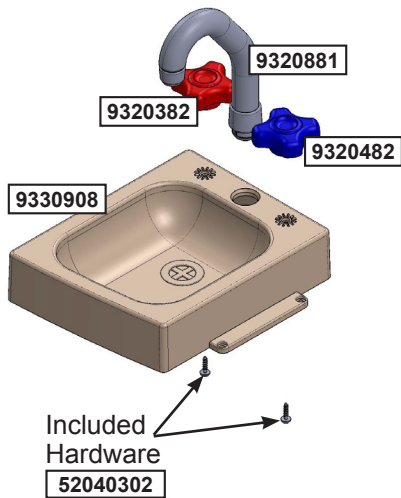
4 x **S37** #7 x 15.9 mm (#7 x 5/8")

**Other Parts**

1 x **9320374**



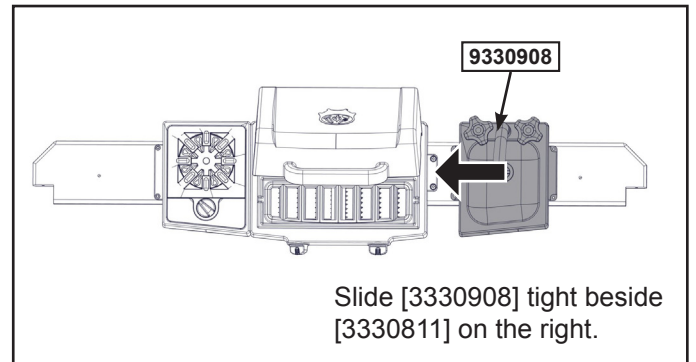
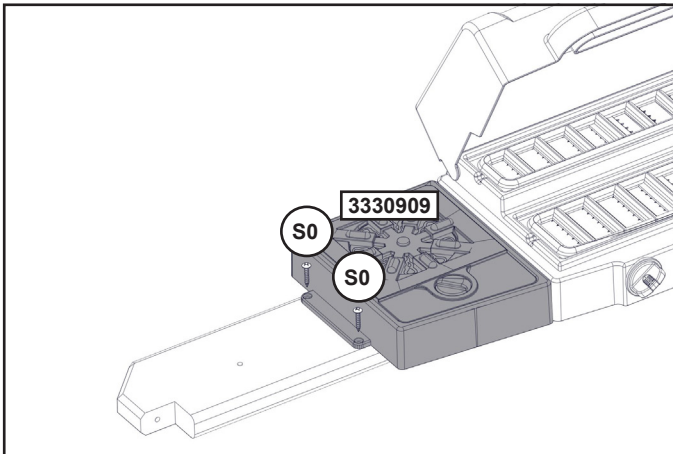
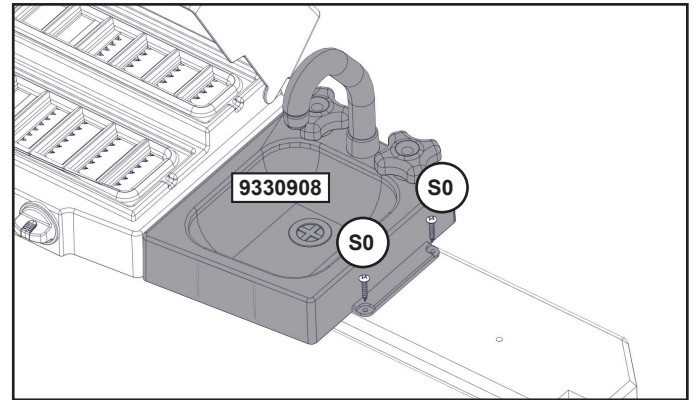
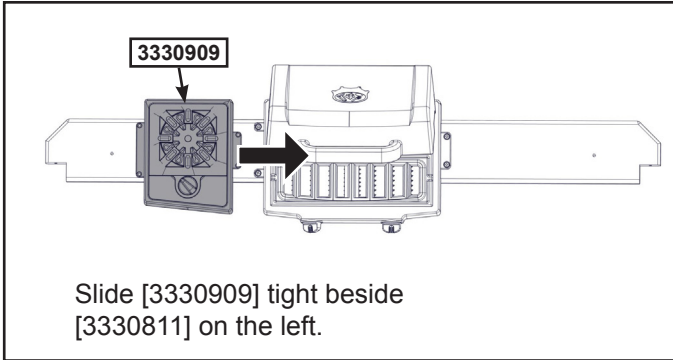
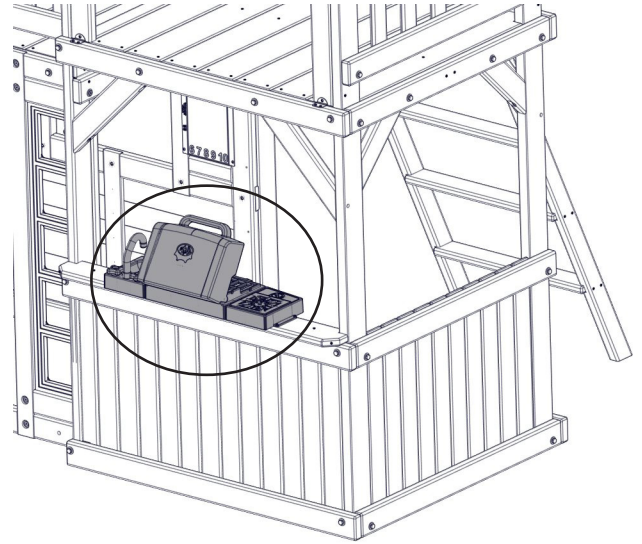
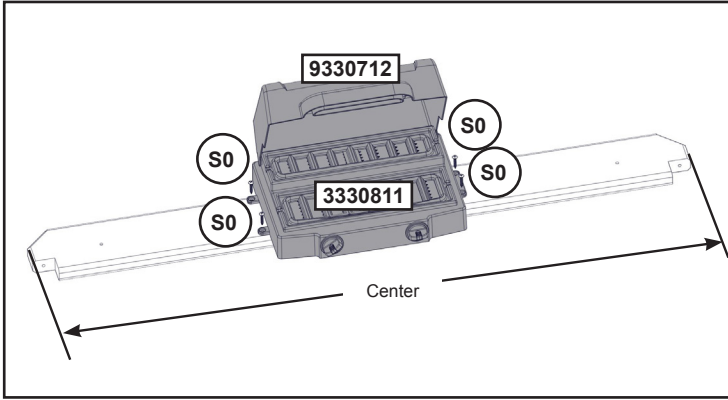
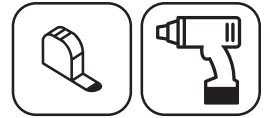
**Important: Use a hand held screw driver and DO NOT over tighten.**



**Other Parts**

1 x	9320881	2 x	52040302	1 x	9330712
1 x	9330908	1 x	9320382		
1 x	9320482	1 x	3330811		



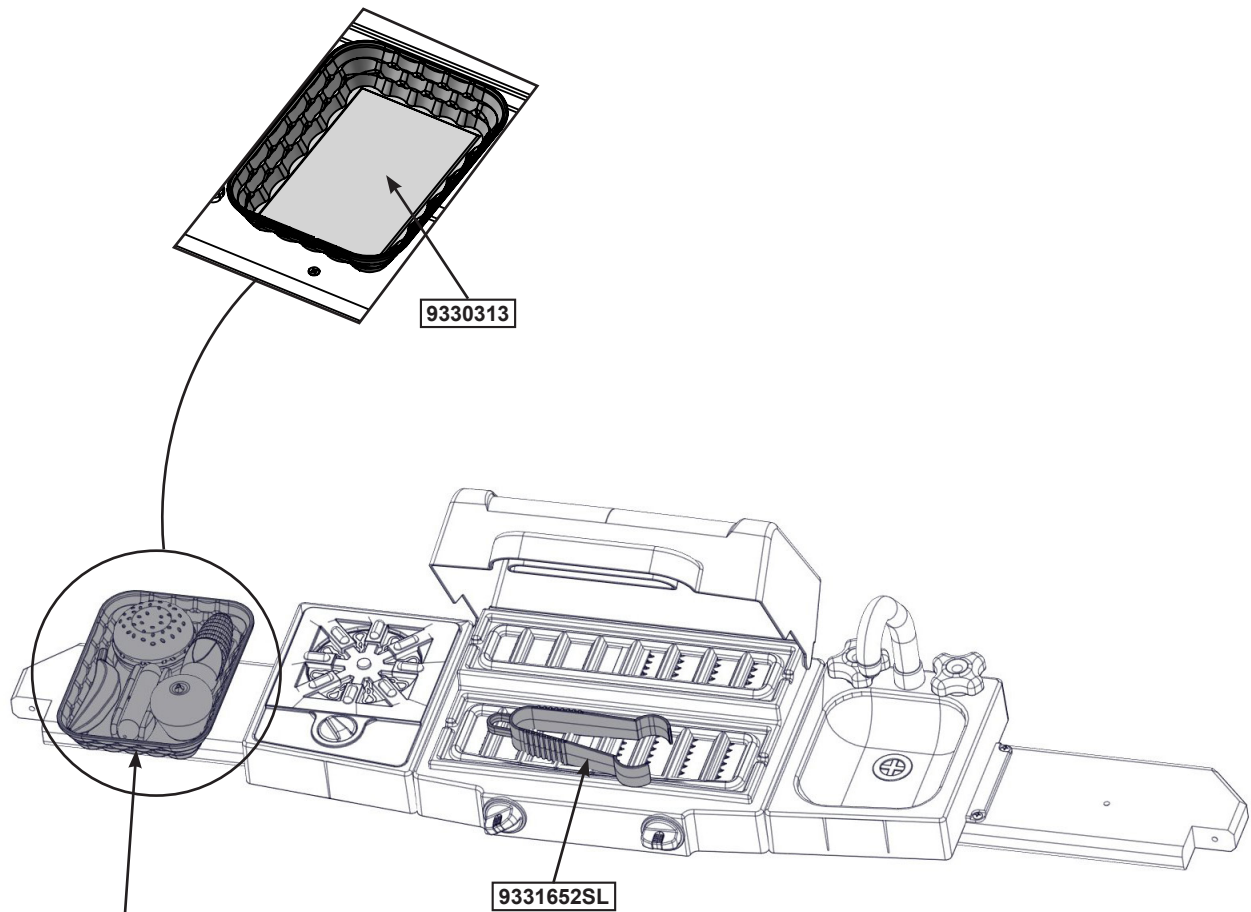


**Hardware**

8 x (S0) #8 x 22.2 mm (#8 x 7/8")

**Other Parts**

1 x [3330909]

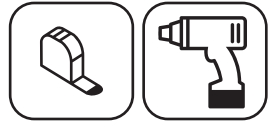


9333686	9332090
9330687	9333689
9333685	9330288
9330383	9330284

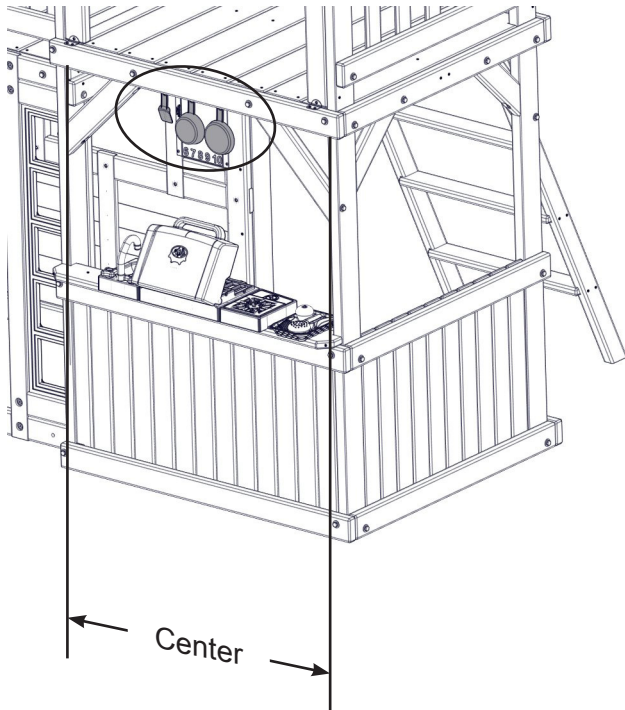
**Other Parts**

1 x 9331652SL	1 x 9333686	1 x 9333685	1 x 9332090	1 x 9330288
1 x 9330313	1 x 9330687	1 x 9330383	1 x 9333689	1 x 9330284

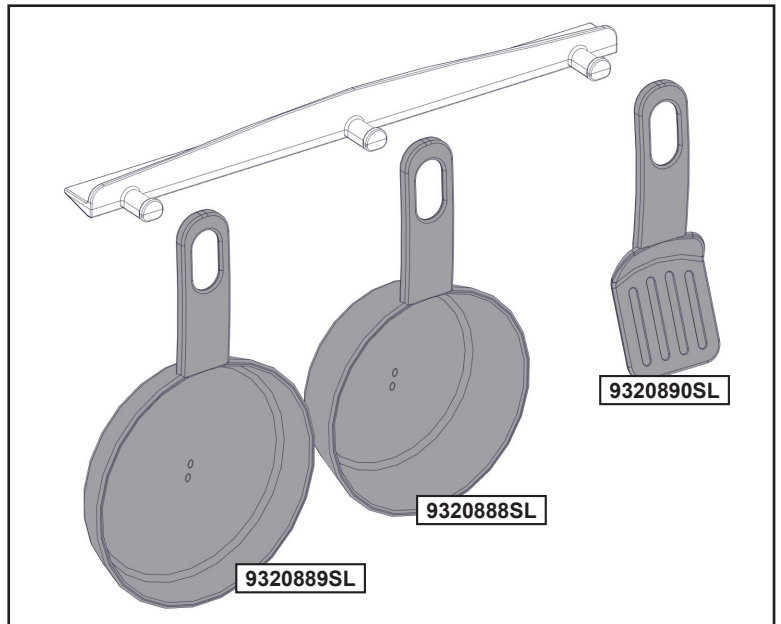
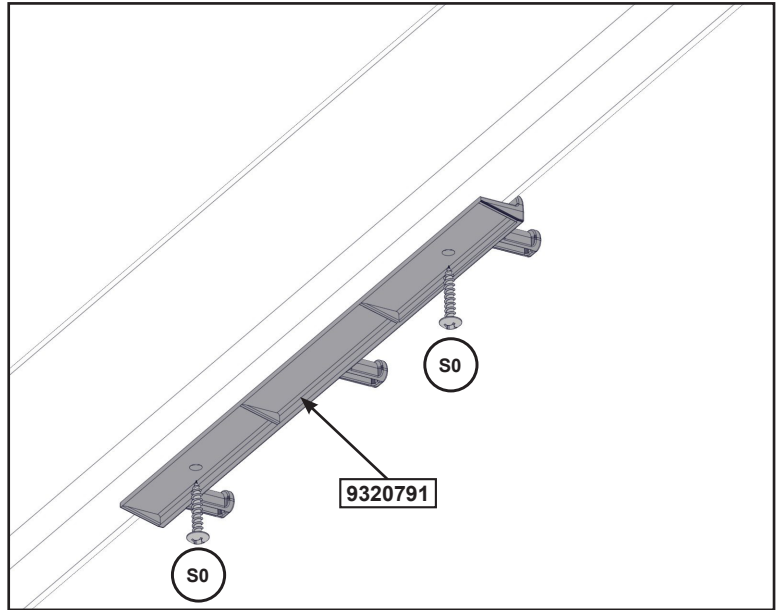




**Note: Structure partly removed for clarity.**



**Inside and Underneath View**



**Hardware**

2 x #8 x 22.2 mm (#8 x 7/8")

**Other Parts**

1 x 1 x

1 x

1 x

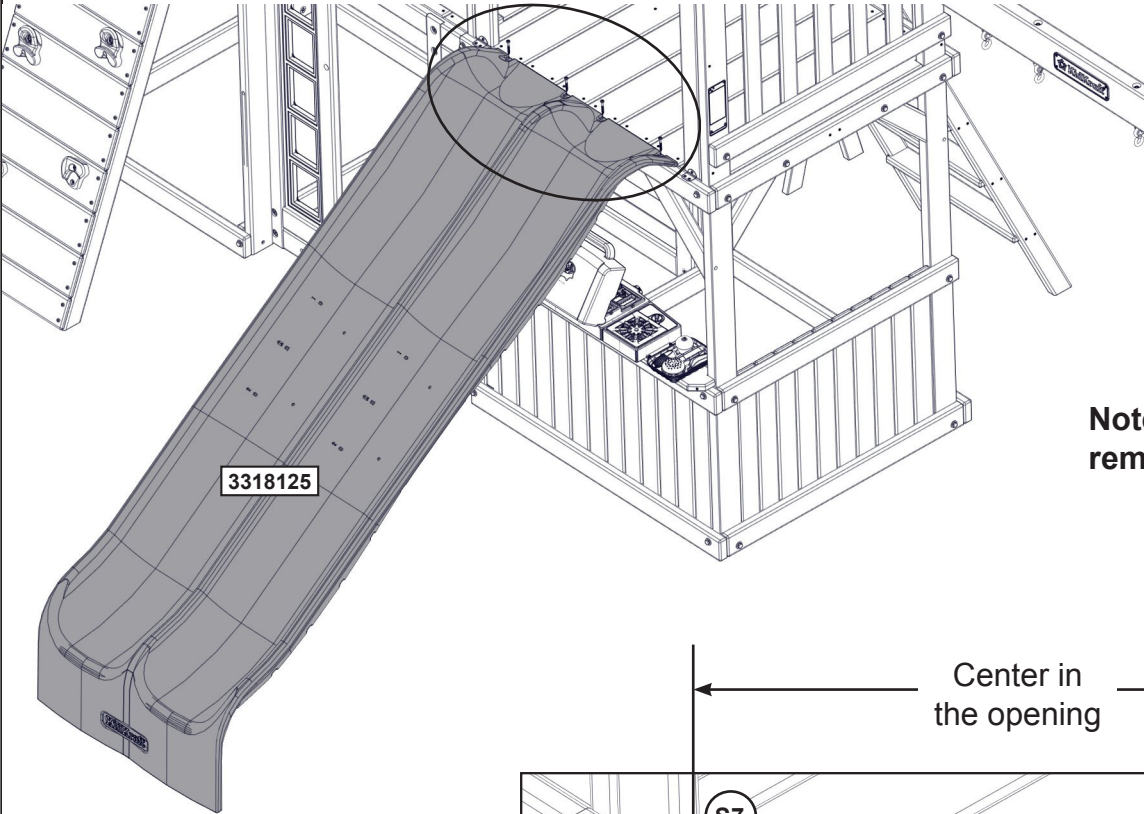


122

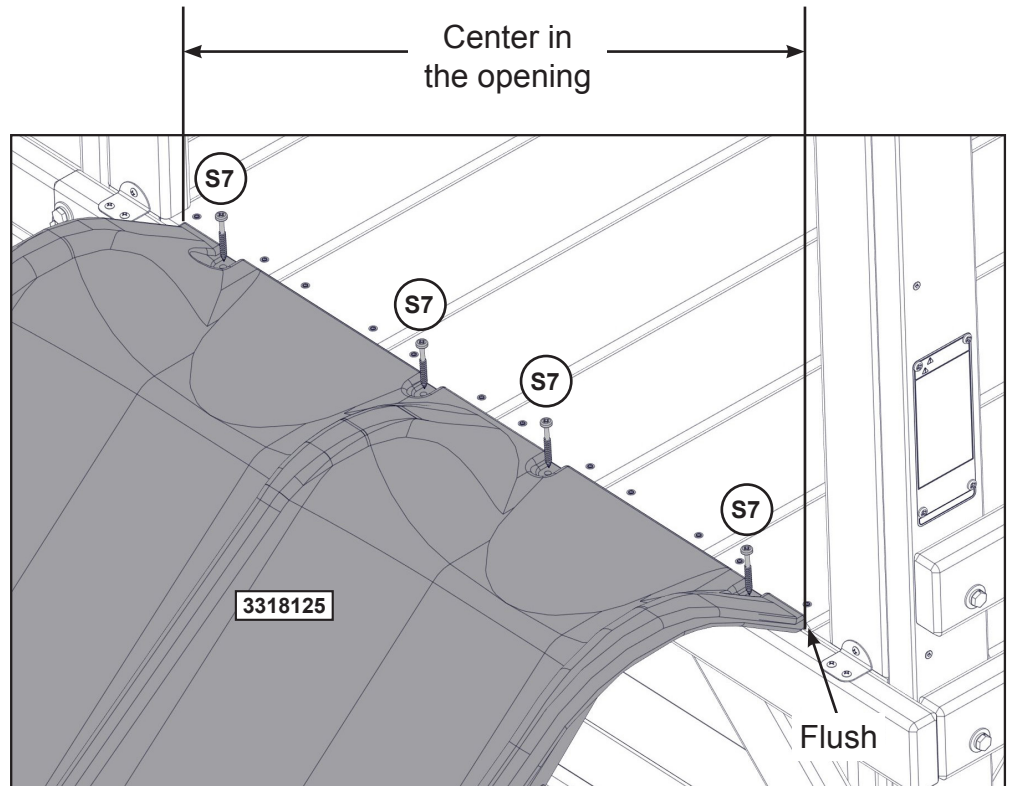
Note: Pre-drill all holes using a 1/8" drill bit before installing the pan screws.



Place Slide centered in the opening.



Note: Structure partly removed for clarity.



**Hardware**

4 x #12 x 50.8 mm (#12 x 2")

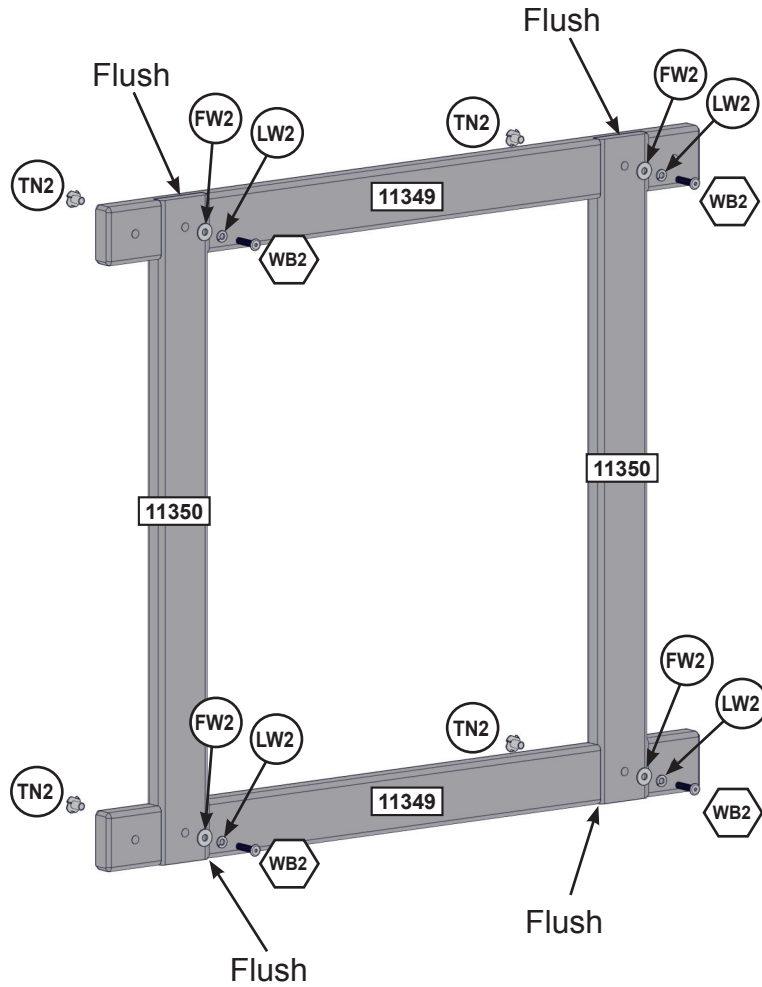
**Other Parts**

1 x





**123 Tube Slide Wall**



**Wood Parts**

- 2 x **11349** 31.8 mm x 76.2 mm x 939.8 mm (1 1/4" x 3" x 37")
- 2 x **11350** 31.8 mm x 76.2 mm x 860.2 mm (1 1/4" x 3" x 33 7/8")

**Hardware**

- 4 x **WB2** 7.9 x 34.9 mm (5/16 x 1-3/8") (FW2, LW2, TN2 )

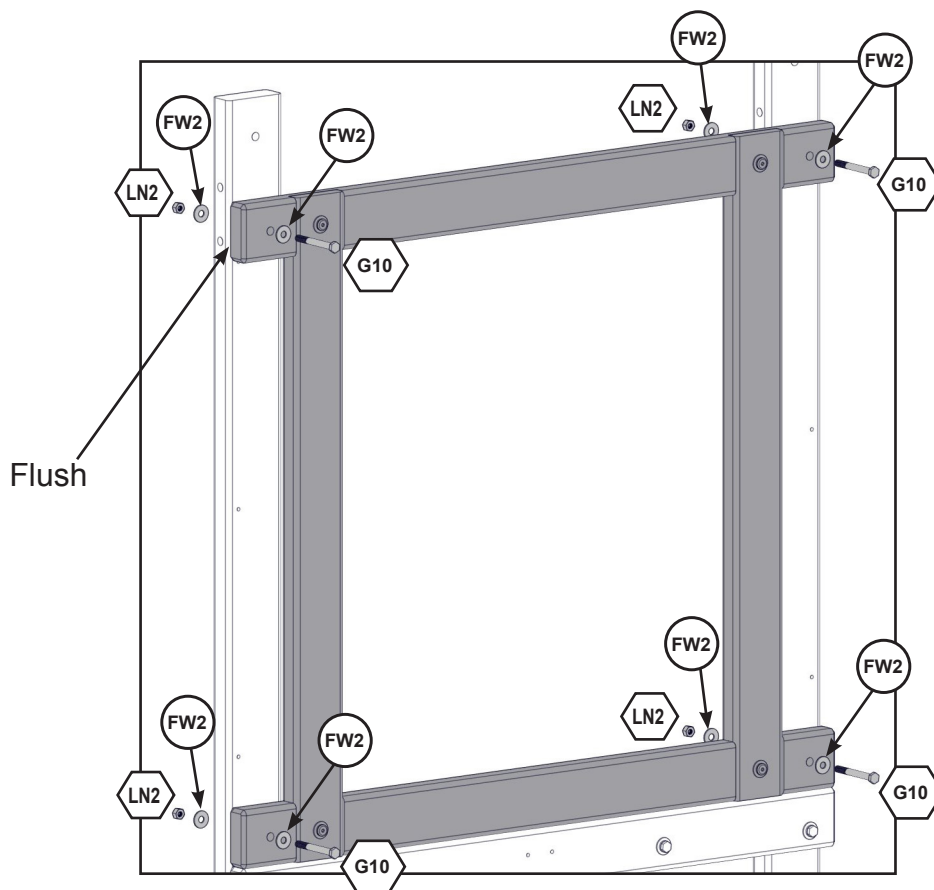
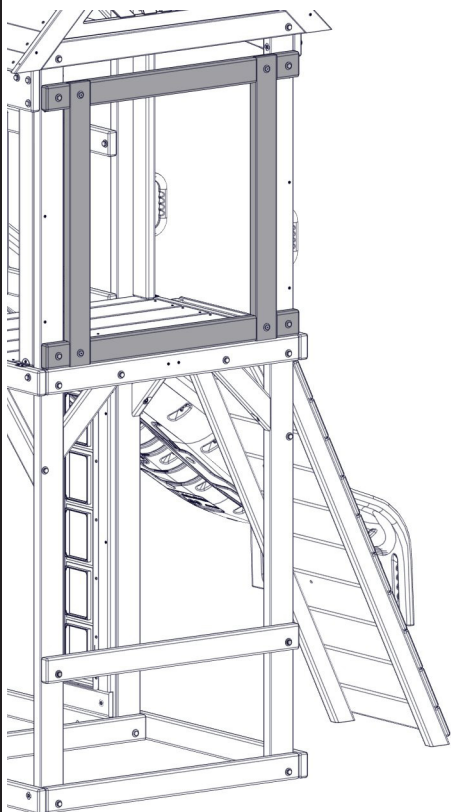


parts.kidkraft.com

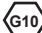
customerservice@kidkraft.com  
1.800.933.0771  
972.385.0100

124

Note: Structure partly removed for clarity.



**Hardware**

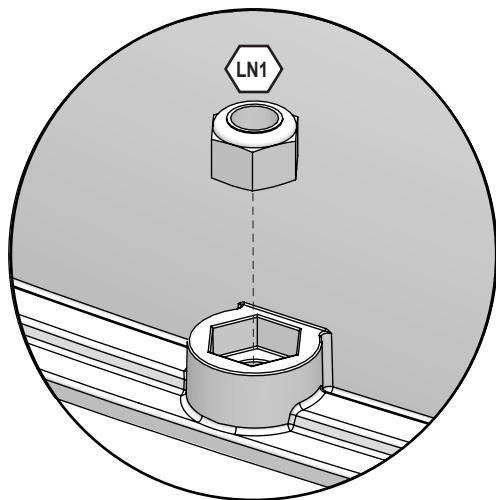
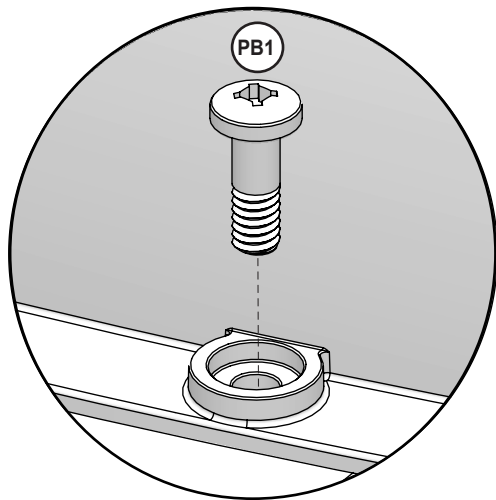
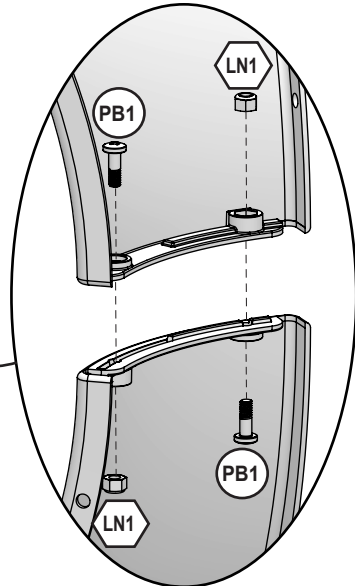
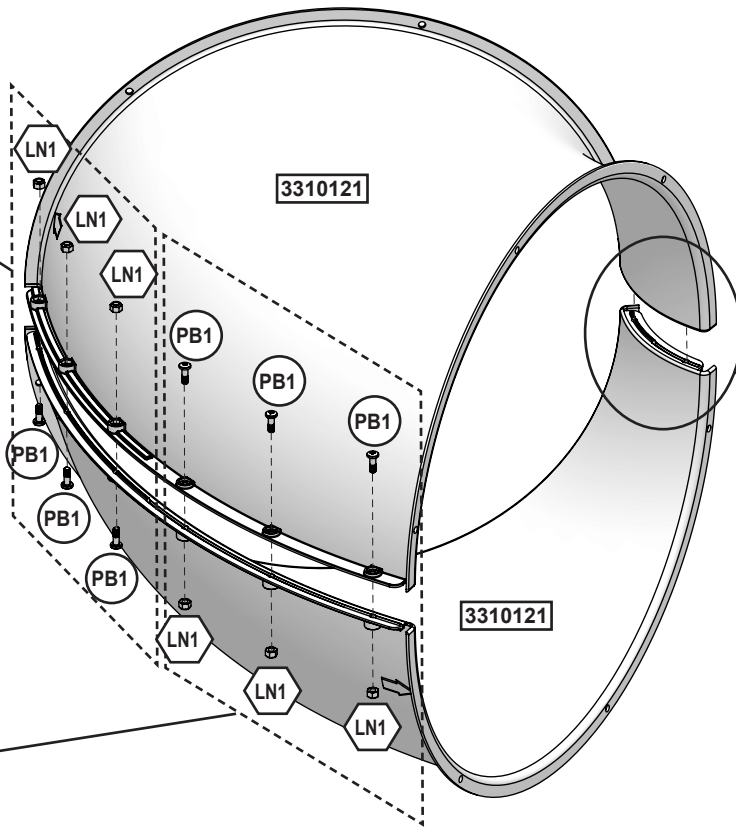
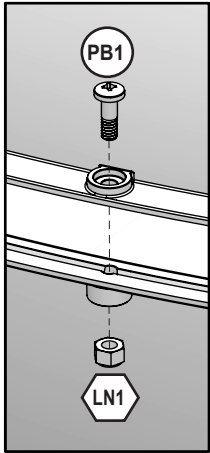
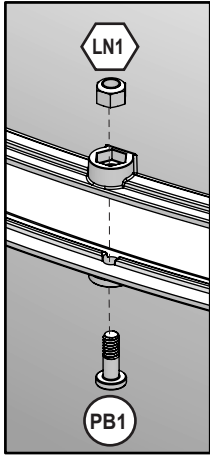
4 x  7.9 x 76.2 mm (5/16 x 3") (FW2 x 2, LN2)

europcustomerservice@kidkraft.com  
+31 20 305 8620  
M-F from 09:00 to 17:30 (GMT+1)

parts.kidkraft.eu



Complete this step four times

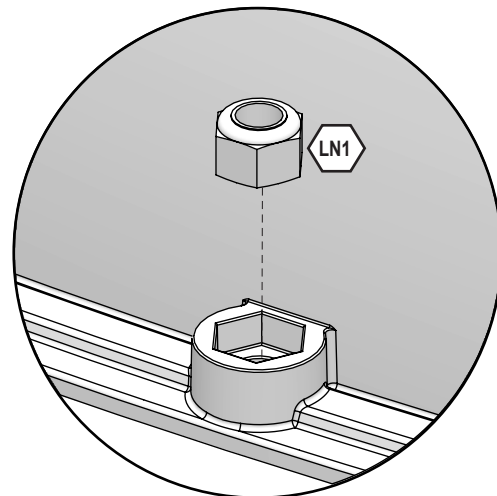
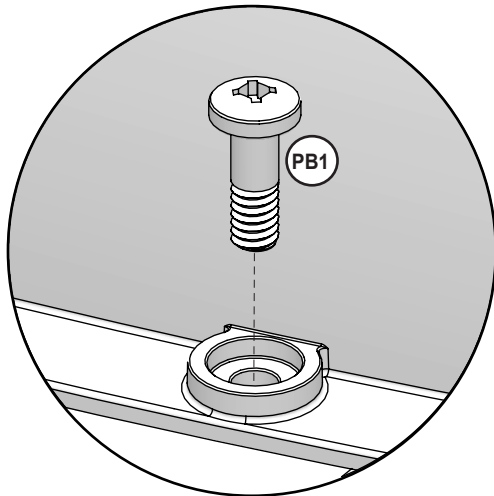
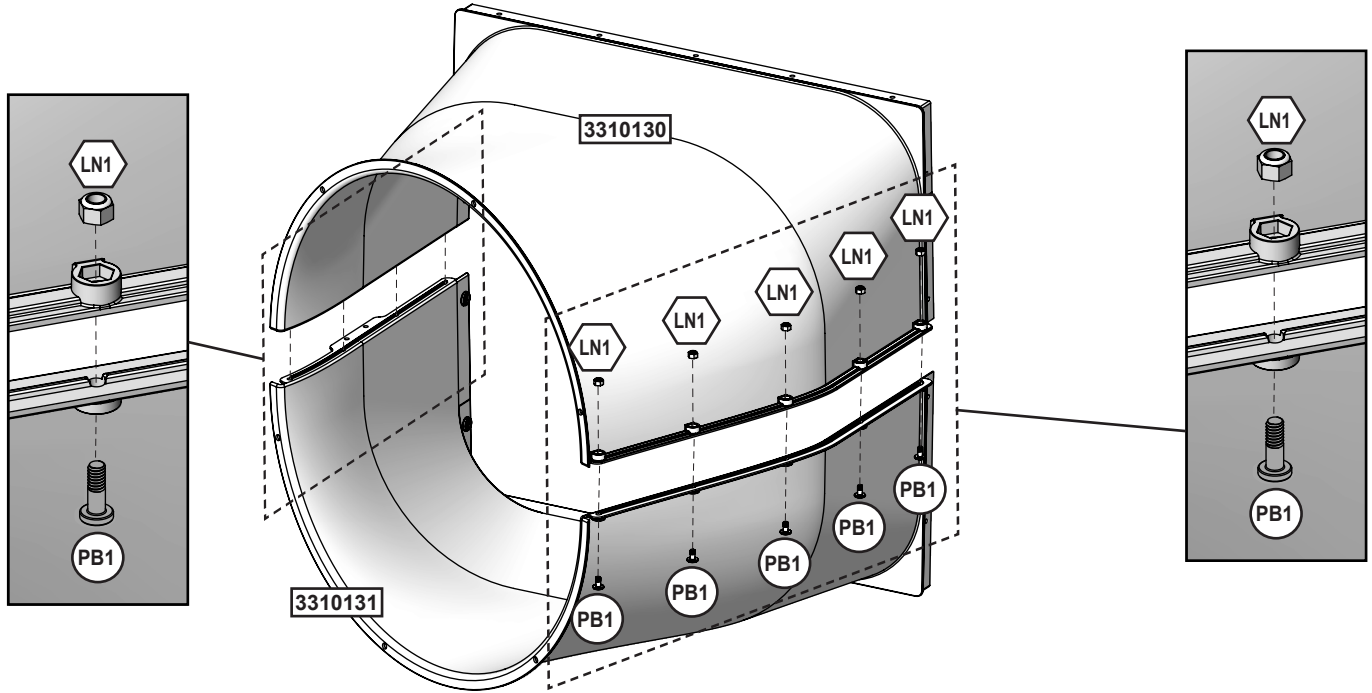


**Hardware**

32 x (PB1) 6.3 x 19 mm (1/4 x 3/4") (LN1)

**Other Parts**

8 x 3310121



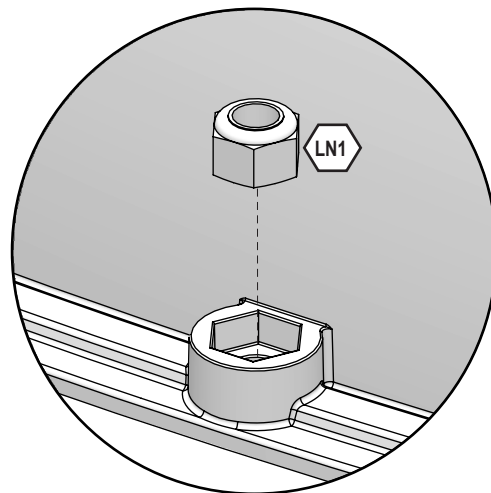
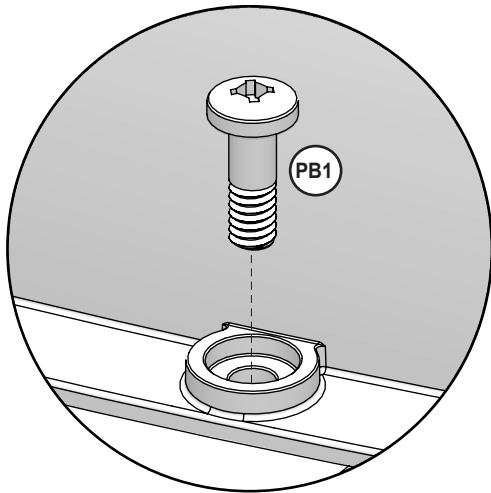
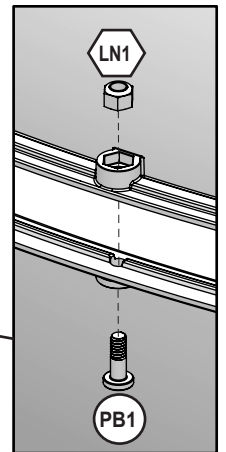
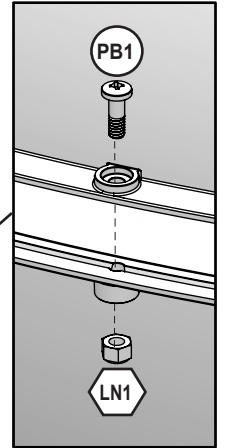
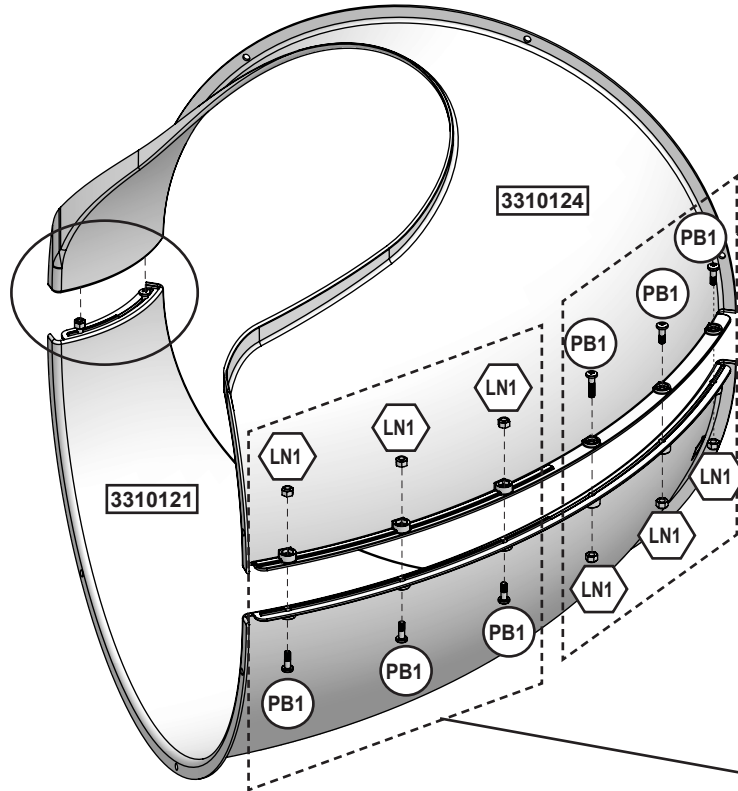
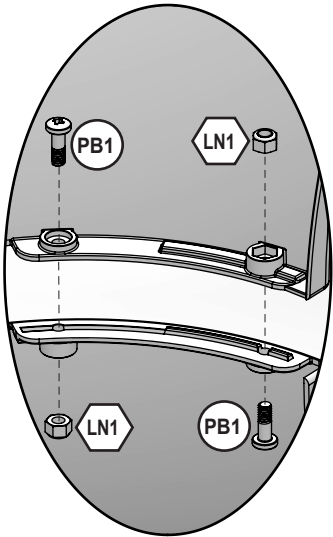
**Hardware**

9 x (PB1) 6.3 x 19 mm (1/4 x 3/4") (LN1)

**Other Parts**

- 1 x 3310130
- 1 x 3310131





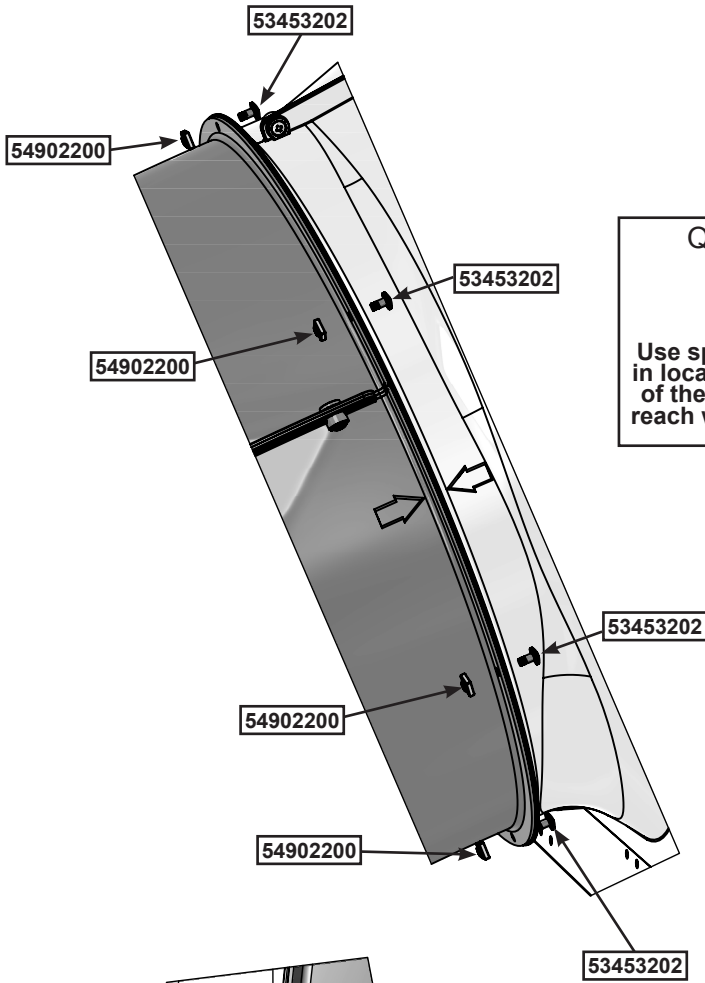
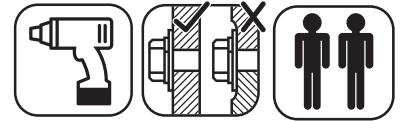
**Hardware**

8 x 6.3 x 19 mm (1/4 x 3/4") (LN1)

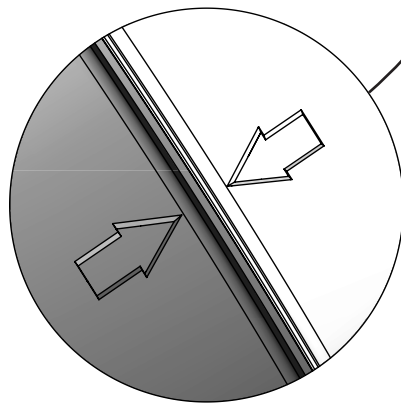
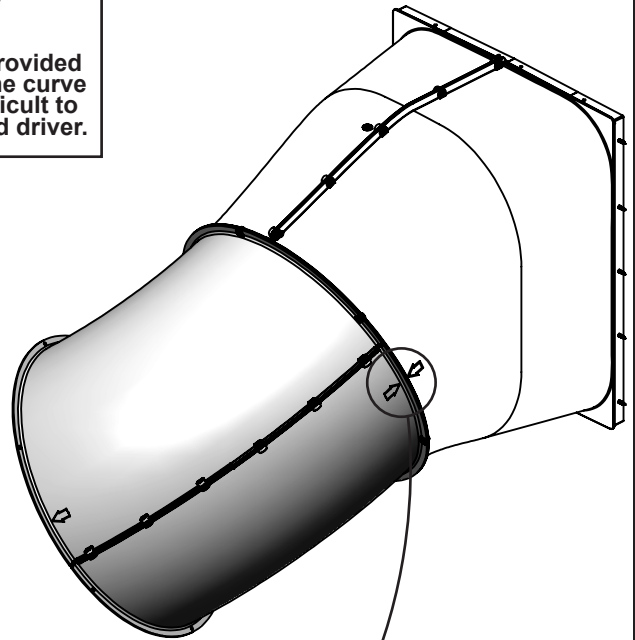
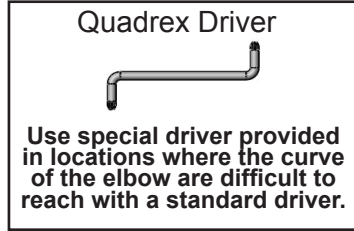
**Other Parts**

1 x

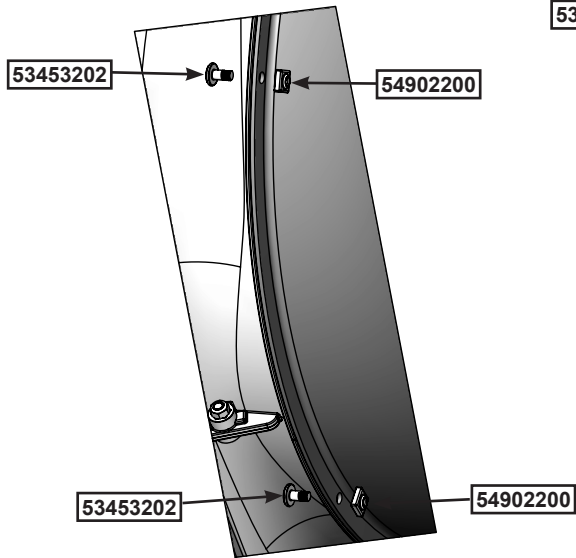
1 x



Note: Keep all bolts loose until further step.  
Use Quadrex Driver as a guide pin for each hole before inserting bolt.



Align each elbow using the molded arrows.



Other Parts

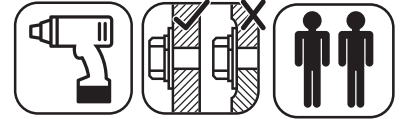
- 6 x 54902200
- 6 x 53453202 1/4" x 12.7mm



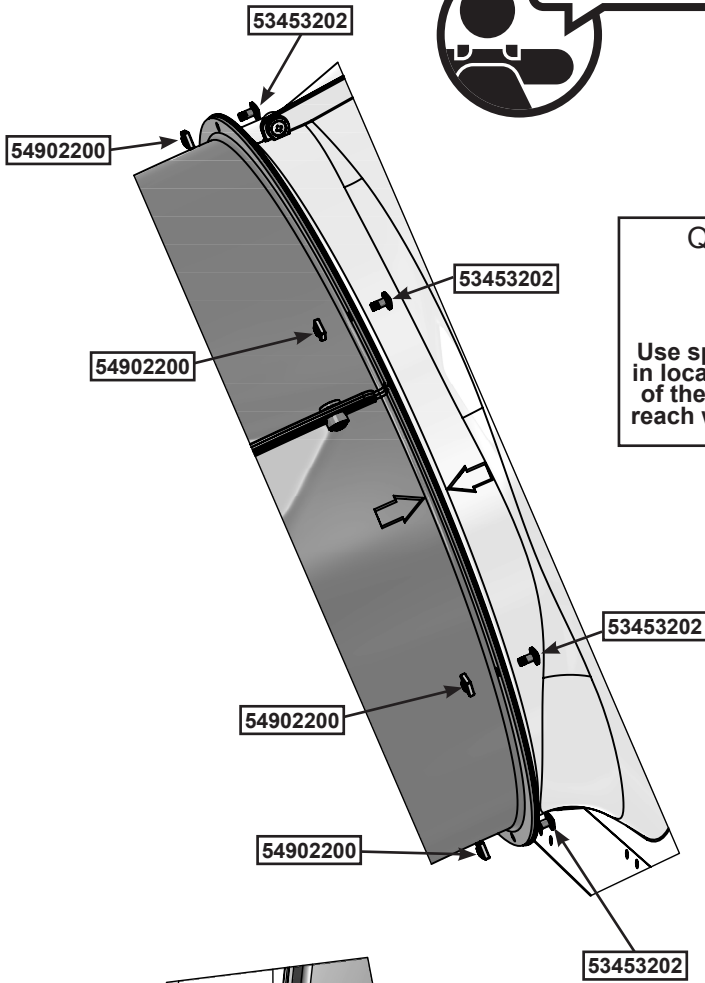




Complete this three times

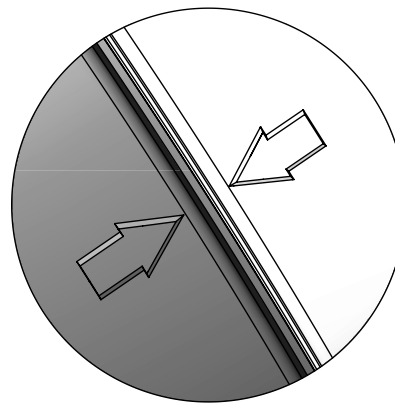
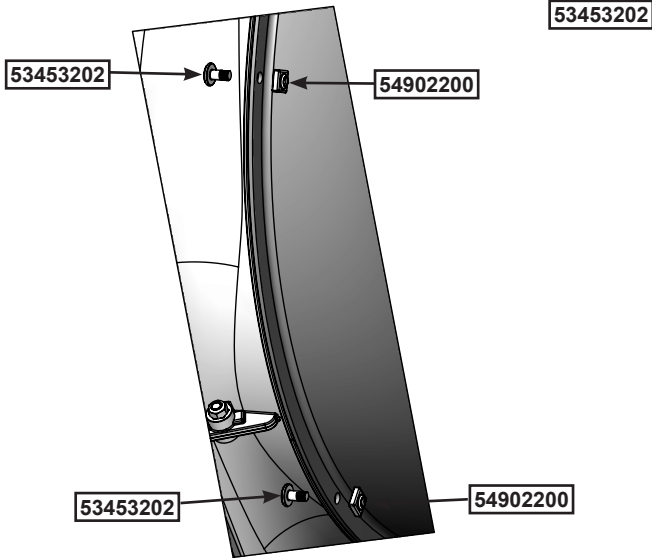
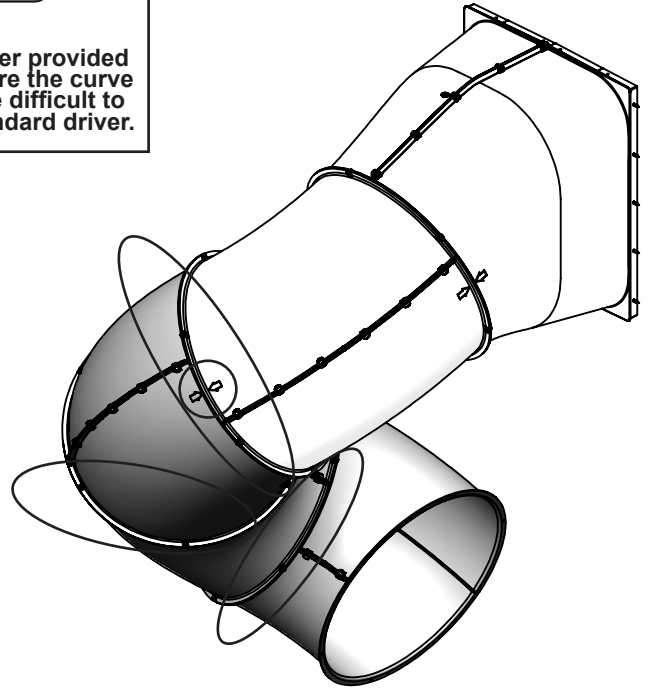


Note: Keep all bolts loose until further step.  
Use Quadrex Driver as a guide pin for each hole before inserting bolt.



Quadrex Driver

Use special driver provided in locations where the curve of the elbow are difficult to reach with a standard driver.



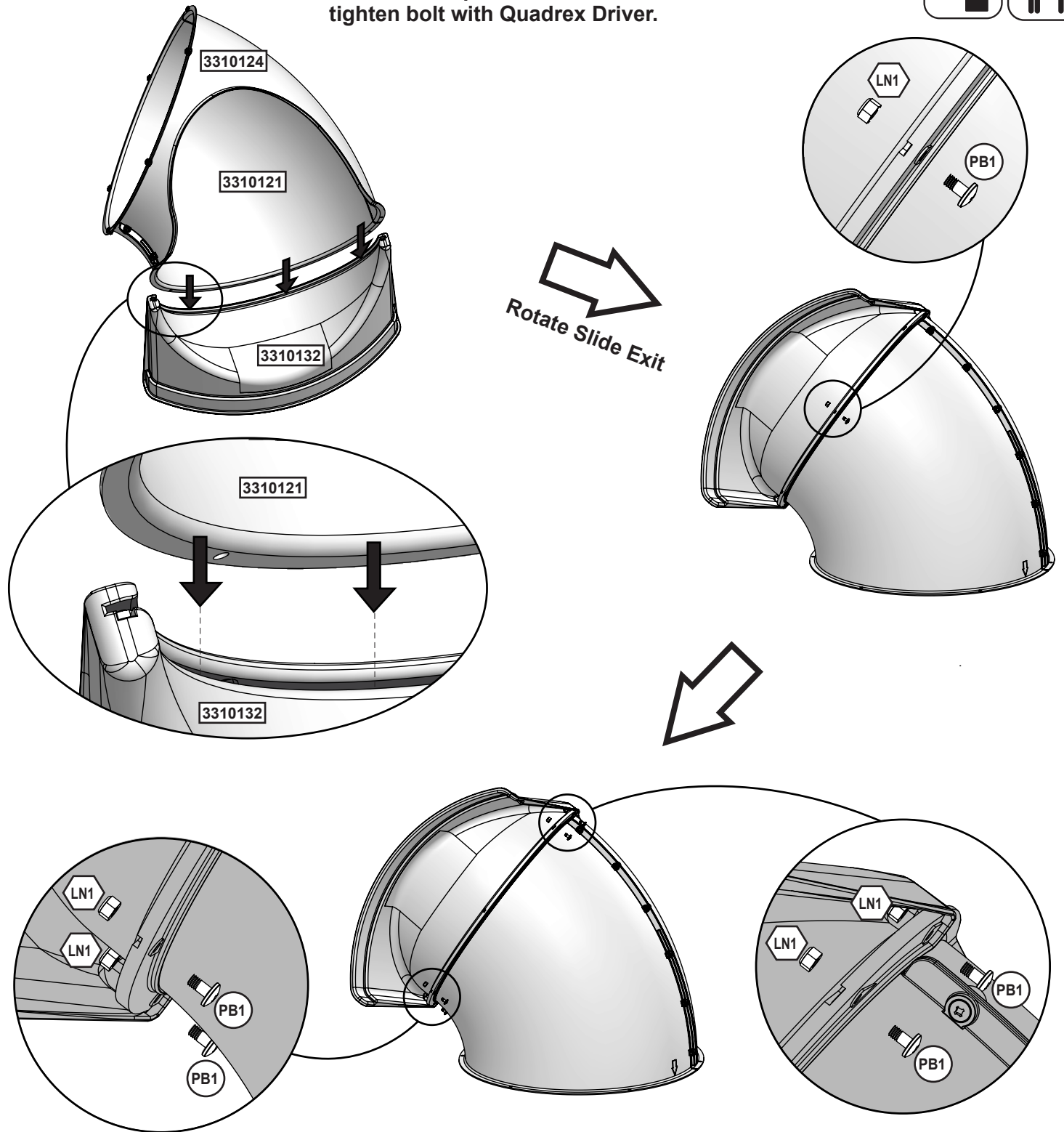
Align each elbow using the molded arrows.

Other Parts

- 18 x 54902200
- 18 x 53453202 1/4" x 12.7mm

130

Use a 7/16" open end wrench to hold nut and then tighten bolt with Quadrex Driver.



**Hardware**

5 x (PB1) 6.4 x 19 mm (1/4 x 3/4") (LN1)

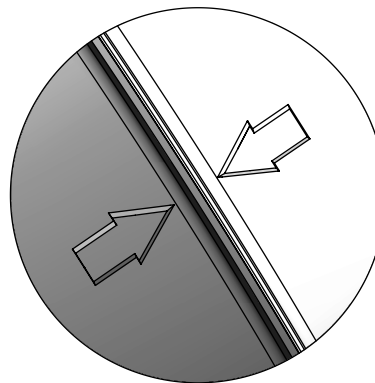
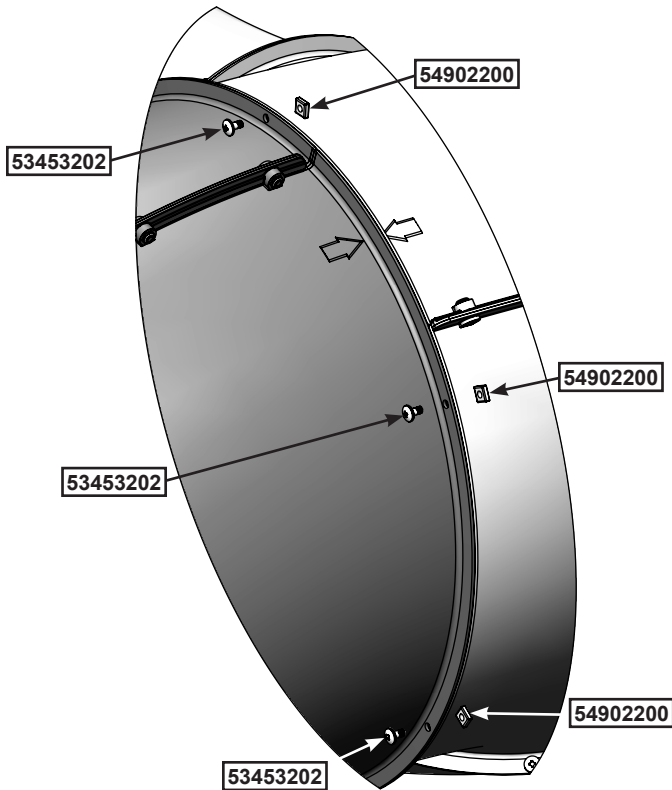
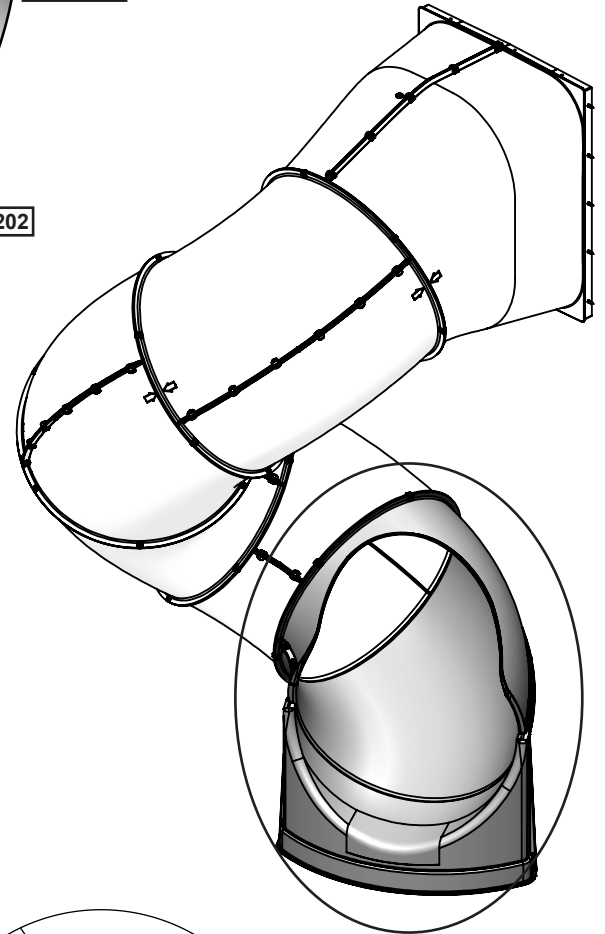
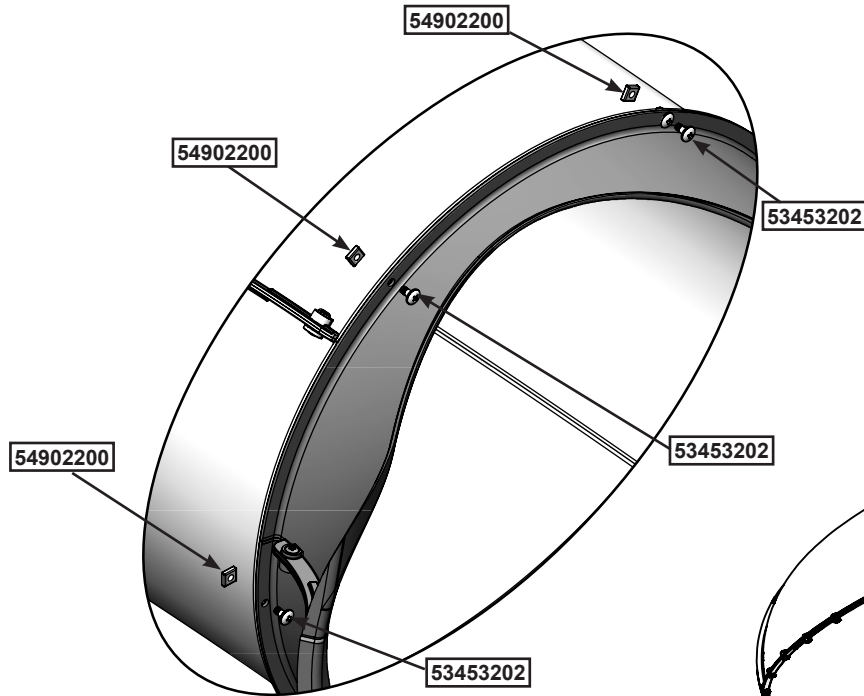
**Other Parts**

1 x 3310132



131

Tighten all slide bolts before the clamp rings go on in the next step.



Align each elbow using the molded arrows.

Other Parts

- 6 x 54902200
- 6 x 53453202 1/4" x 12.7mm

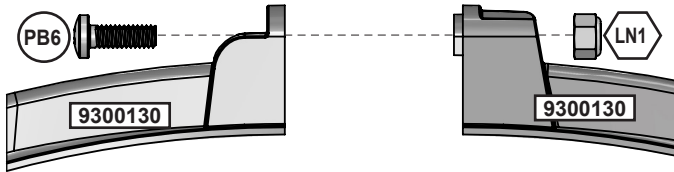


parts.kidkraft.com

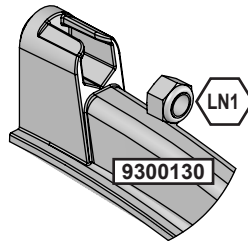
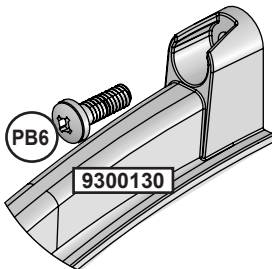
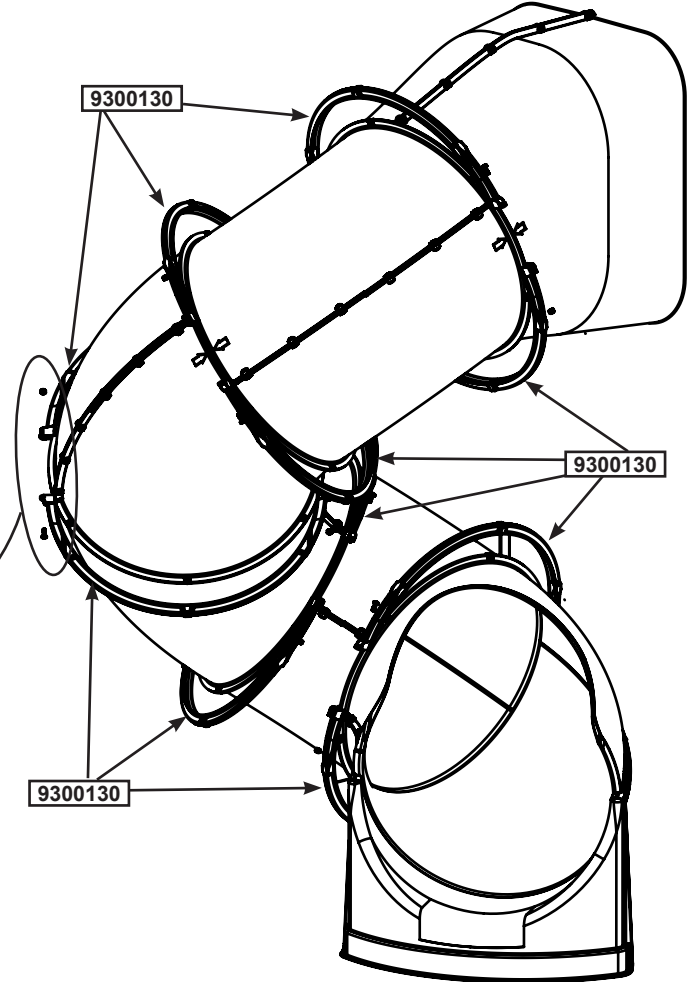
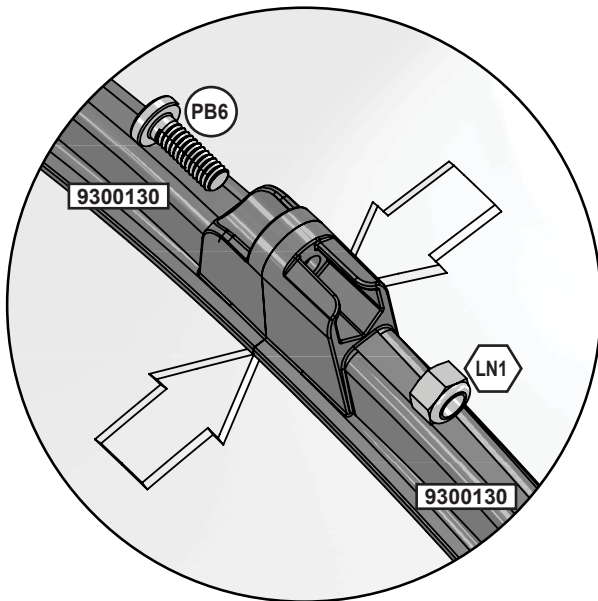
customerservice@kidkraft.com  
1.800.933.0771  
972.385.0100



**Warning. Do not over tighten the clamp rings.**



**After the clamp rings are attached to the elbows, fasten them end to end with two pan bolts and lock nuts**



**Note: For ease of assembly bottom set of clamp rings can be rotated 90 degrees to install bolts.**

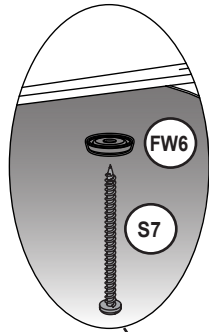
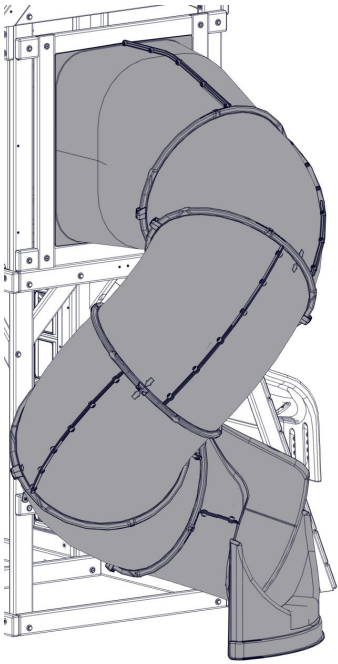
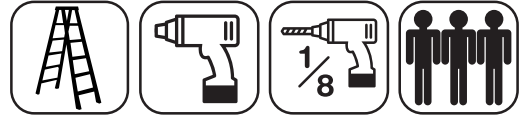
**Hardware**

10 x (PB6) 6.4 x 25.4 mm (1/4 x 1") (LN1)

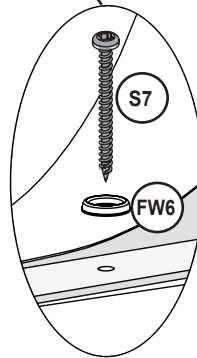
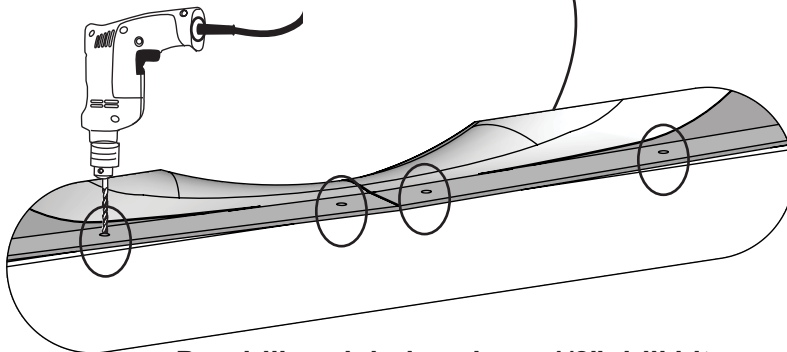
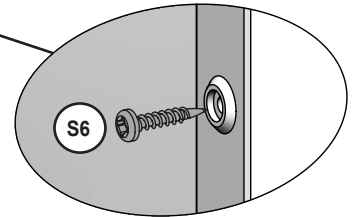
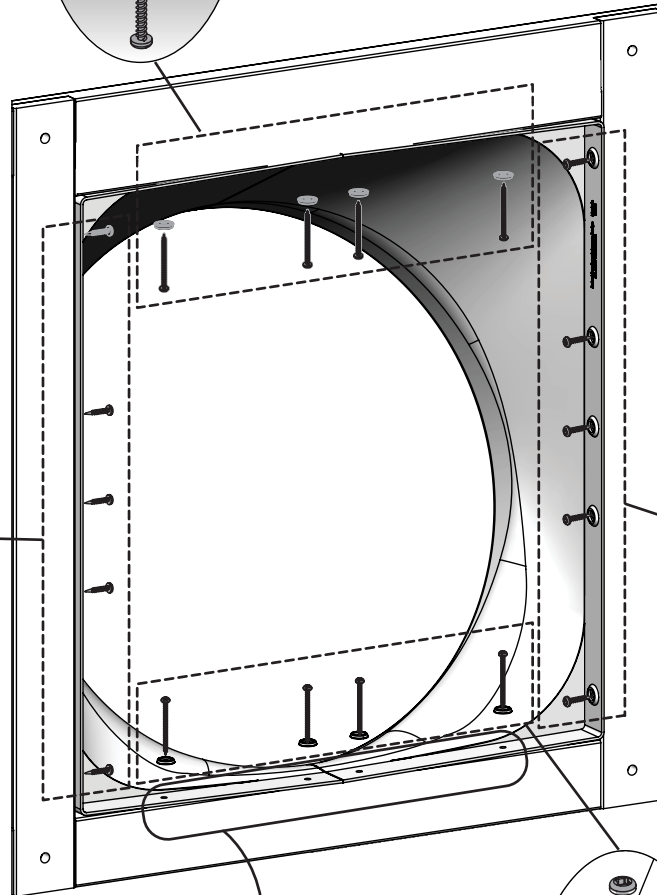
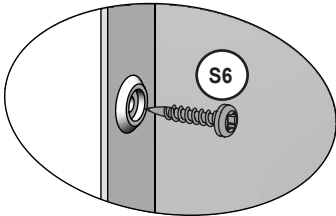
**Other Parts**

10 x 9300130








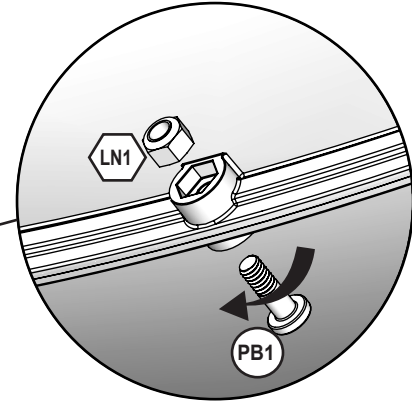
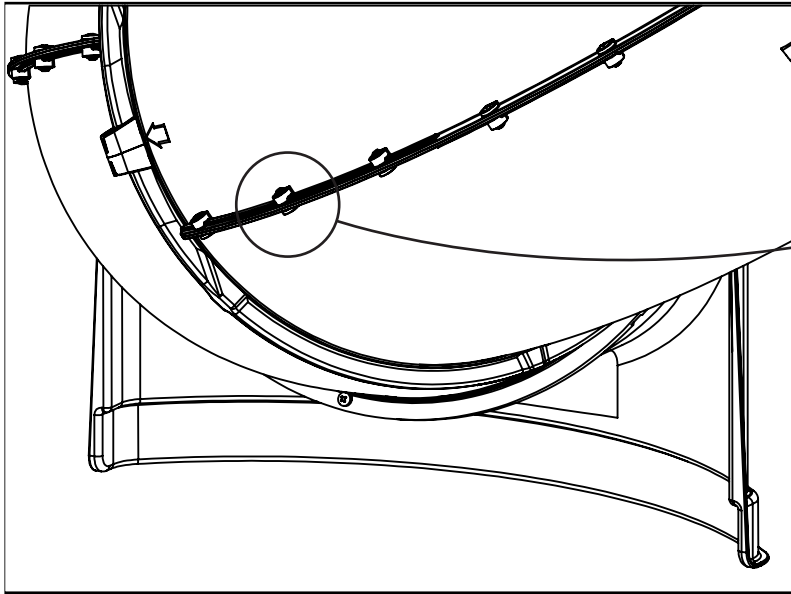
Pre-drill each hole using a 1/8" drill bit. Making sure the pre-drilled holes are a minimum of 1" deep.



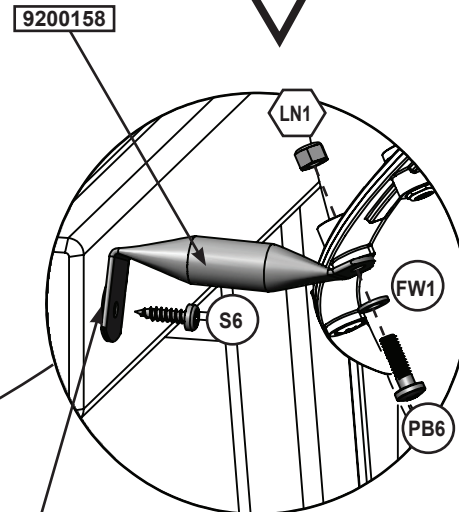
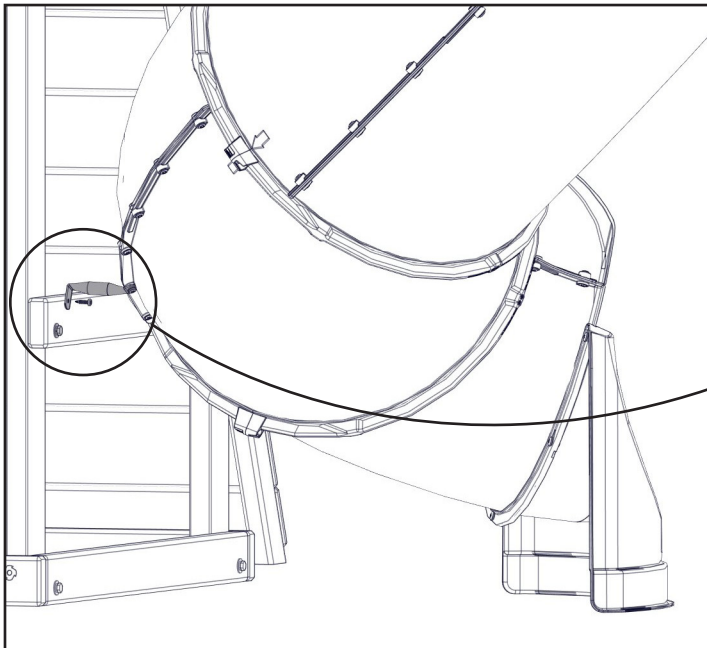
Pre-drill each hole using a 1/8" drill bit. Making sure the pre-drilled holes are a minimum of 1" deep.

**Hardware**

- 10 x  #12 x 25.4mm (#12 x 1")
- 8 x  #12 x 50.8mm (#12 x 2")
- 8 x  #12



Remove PB1 (1/4 x 3/4" Pan Bolt),  
The bolt (PB1) will no longer be  
needed, but keep the lock nut (LN1)



Install PB6 (1/4 x 1" Pan Bolt)  
with flat washer (FW1)

Note: Flat  
end down

**Hardware**

- 1 x 6.4 x 25.4 mm (1/4 x 1") (FW1)
- 1 x #12 x 25.4mm (#12 x 1")

**Other Parts**

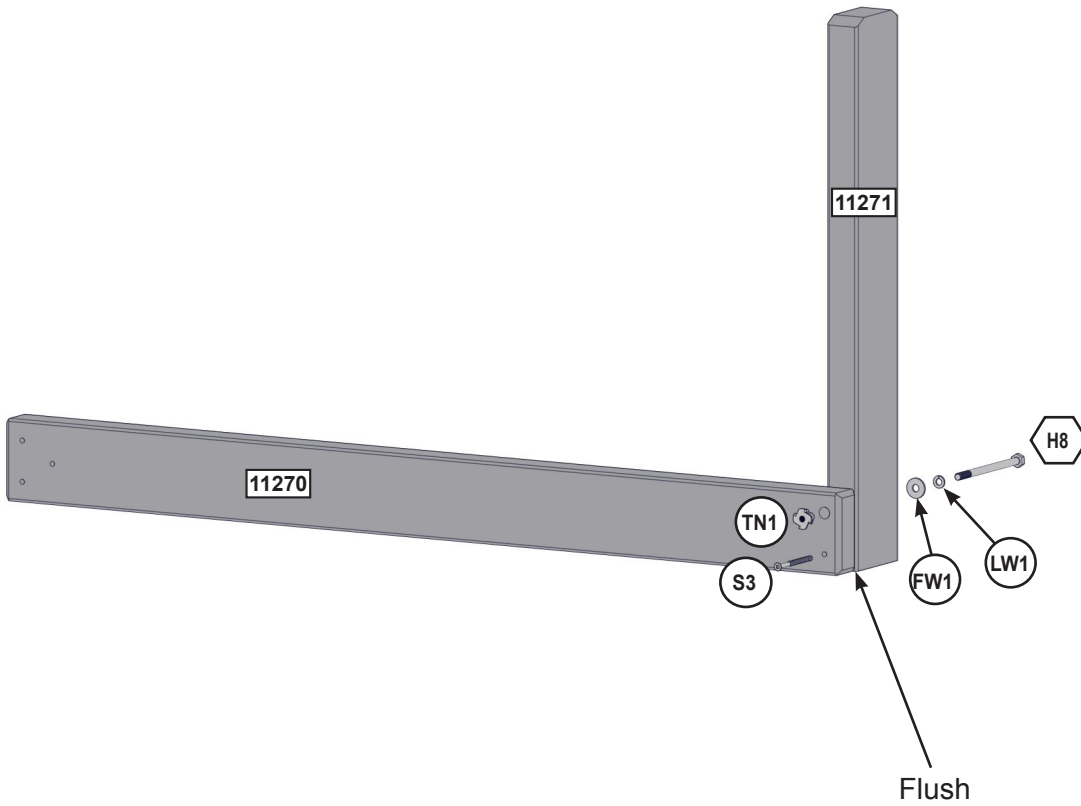
- 1 x





135

Assemble T-Nuts first with hammer!



**Wood Parts**

- 1 x 31.8 mm x 76.2 mm x 880.8 mm (1 1/4" x 3" x 34 11/16")
- 1 x 31.8 mm x 76.2 mm x 510 mm (1 1/4" x 3" x 20 1/16")

**Hardware**

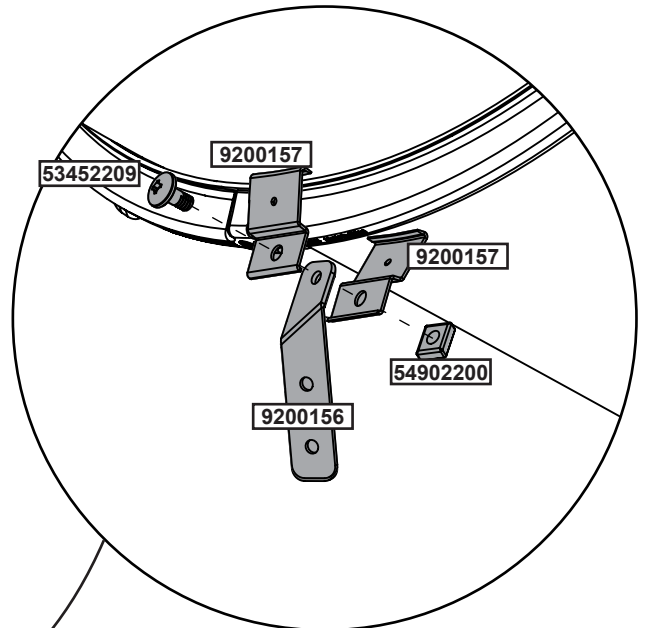
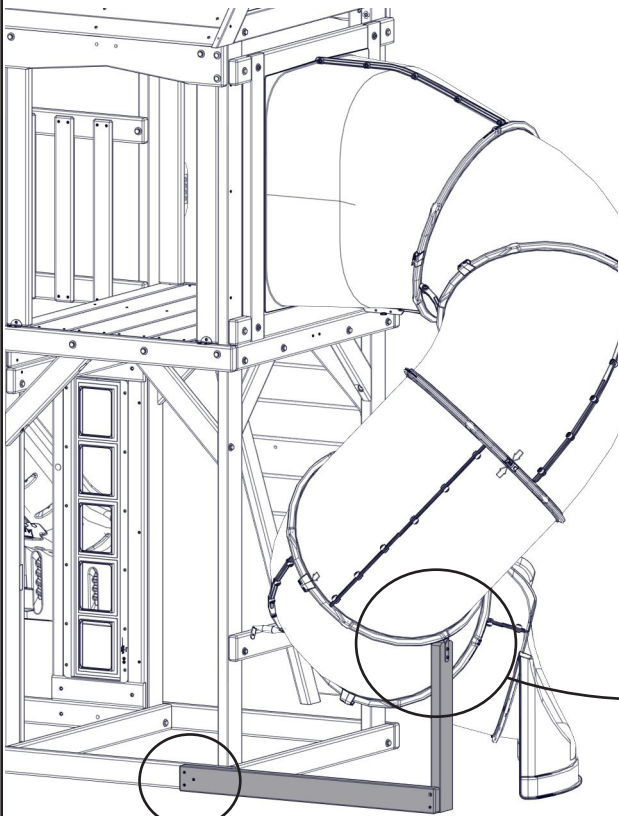
- 1 x #8 x 63.5mm (#8 x 2-1/2")
- 1 x 6.4 x 108mm (1/4 x 4-1/4") (FW1, LW1, TN1)



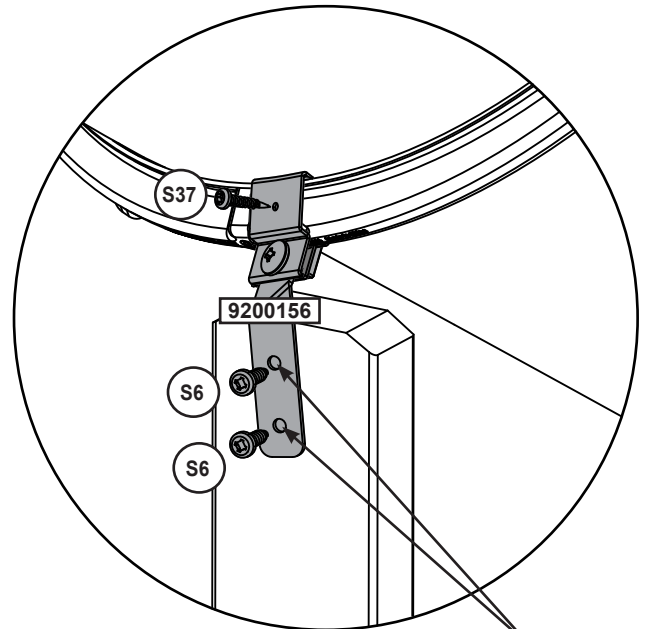
parts.kidkraft.com

customerservice@kidkraft.com  
1.800.933.0771  
972.385.0100

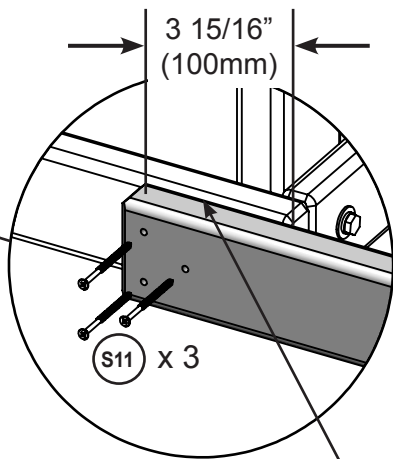
Note: Structure partly removed for clarity.



Rotated View



Pre-drill with a 1/8" drill bit.



Flush

**Hardware**

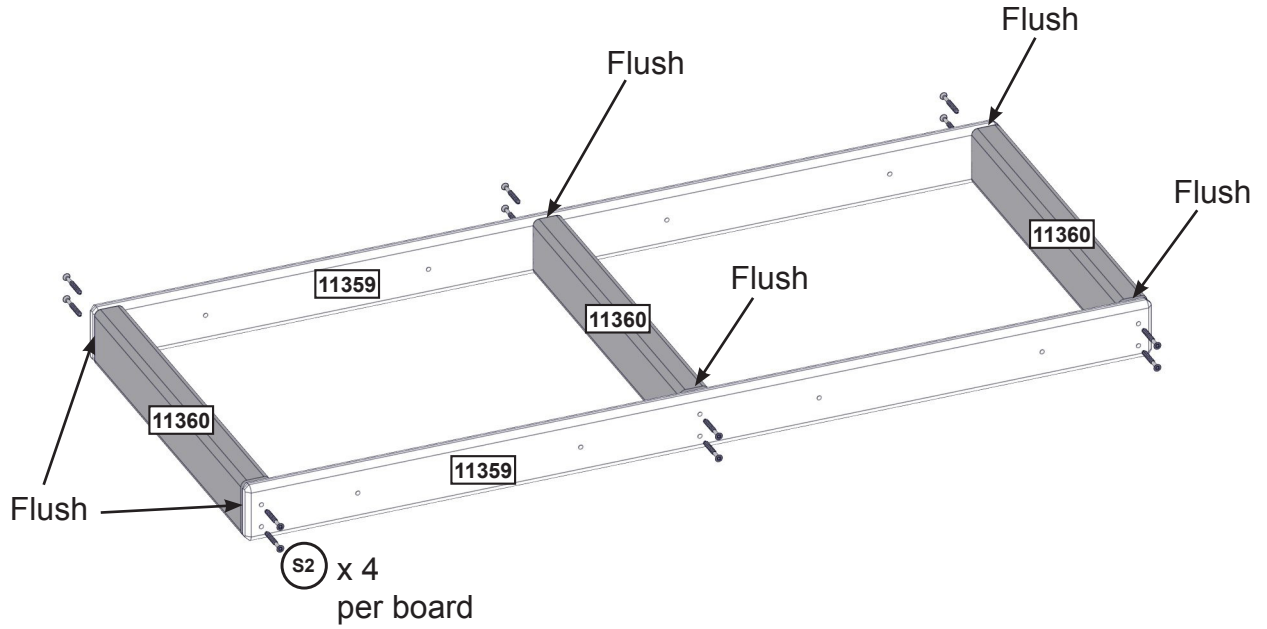
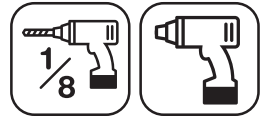
- 1 x S37 #7 x 15.87mm (#7 x 5/8")
- 2 x S6 #12 x 25.4mm (#12 x 1")
- 3 x S11 #8 x 50.8mm (#8 x 2")

**Other Parts**

- 1 x 54902200    2 x 9200157
- 1 x 9200156    1 x 53452209 1/4 x 14.5mm



Pre-drill holes using a 1/8" drill bit.

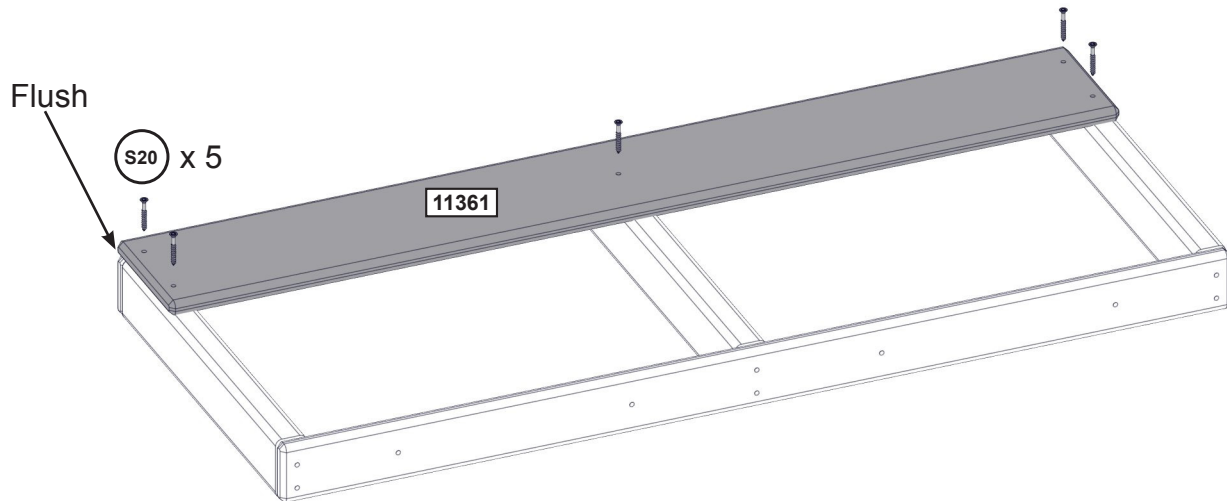


**Wood Parts**

- 2 x 11359 15.9 mm x 63.5 mm x 986.8 mm (5/8" x 2 1/2" x 38 7/8")
- 3 x 11360 31.8 mm x 63.5 mm x 379.71 mm (1 1/4" X 2 1/2" X 14 15/16")

**Hardware**

- 12 x S2 #8 x 38.1 mm (#8 x 1-1/2")



#### Wood Parts

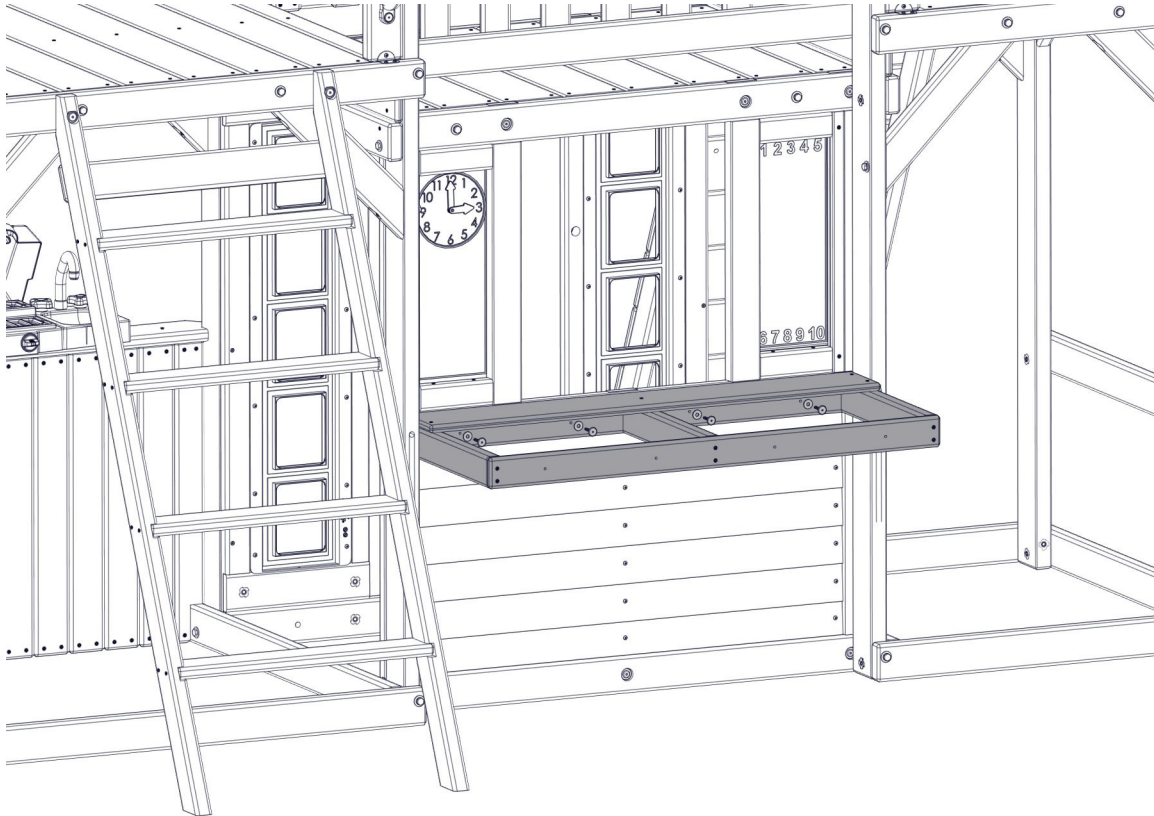
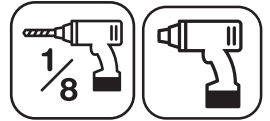
1 x 11361 15.9 mm x 136.5 mm x 986.8 mm (5/8" x 5 3/8" x 38 7/8")

#### Hardware

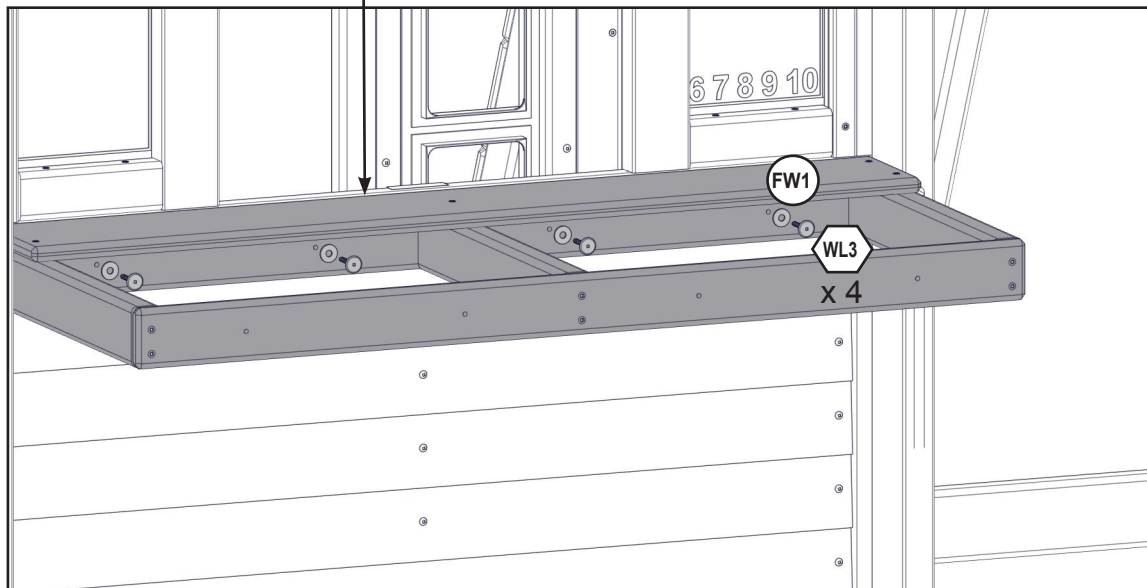
5 x S20 #8 x 34.9 mm (#8 x 1-3/8")

Pre-drill each hole using a 1/8" drill bit for WL3.


Note: Structure partly removed for clarity.



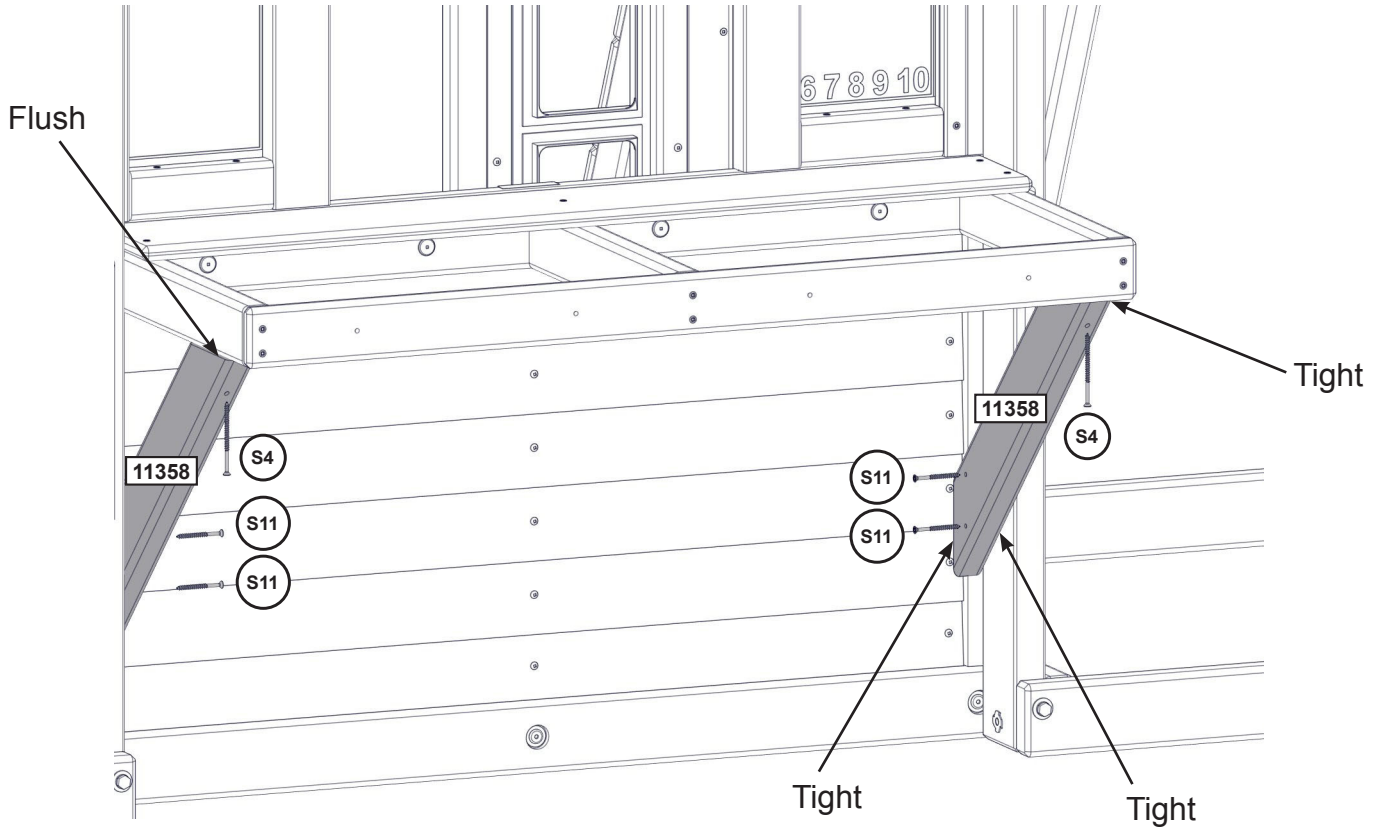
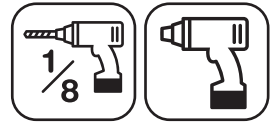
Flush



**Hardware**

4 x  6.4 x 34.9 mm (1/4 x 1-3/8") (FW1)

Pre-drill holes using a 1/8" drill bit for S4.



**Note: Structure partly removed for clarity.**

**Wood Parts**

2 x **11358** 31.8 mm x 76.2 mm x 508 mm (1 1/4" x 3" x 20")

**Hardware**

4 x **S11** #8 x 50.8 mm (#8 x 2")

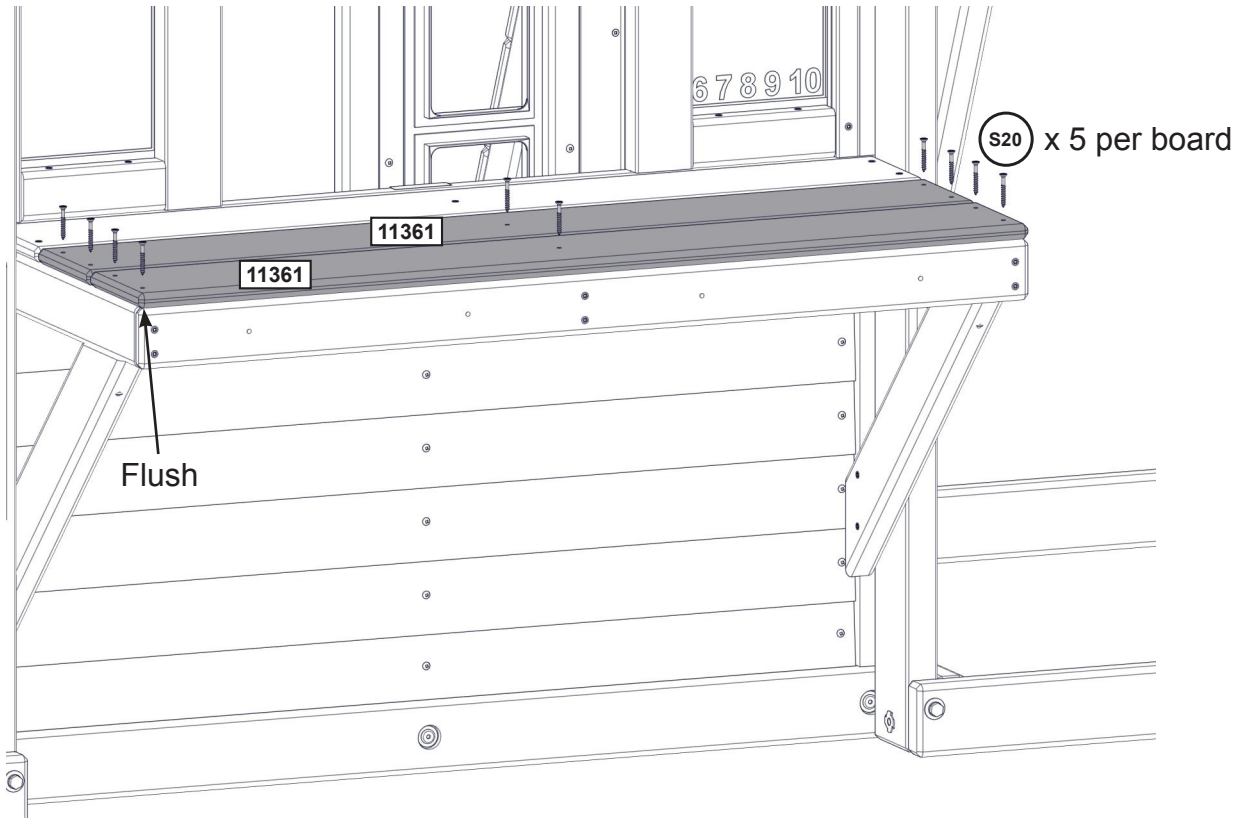
2 x **S4** #8 x 76.2 mm (#8 x 3")







Evenly space the boards.



Note: Structure partly removed for clarity.

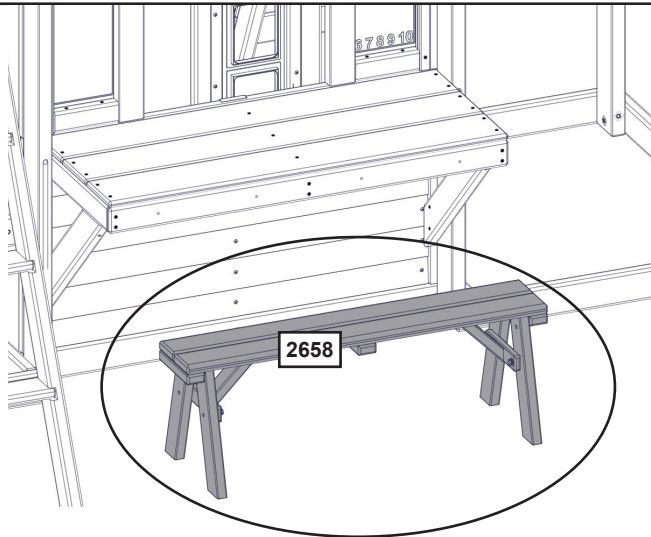
**Wood Parts**

2 x 11361 15.9 mm x 136.5 mm x 986.8 mm (5/8" x 5 3/8" x 38 7/8")

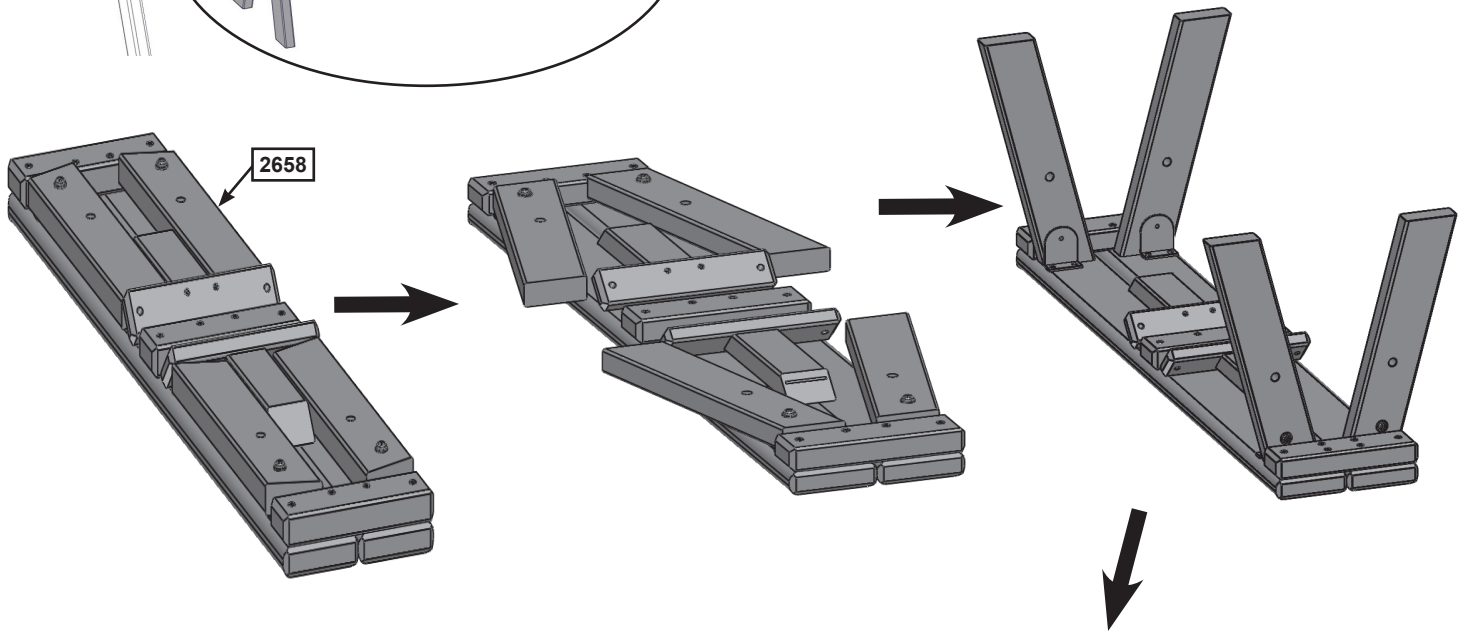
**Hardware**

10 x S20 #8 x 34.9 mm (#8 x 1-3/8")

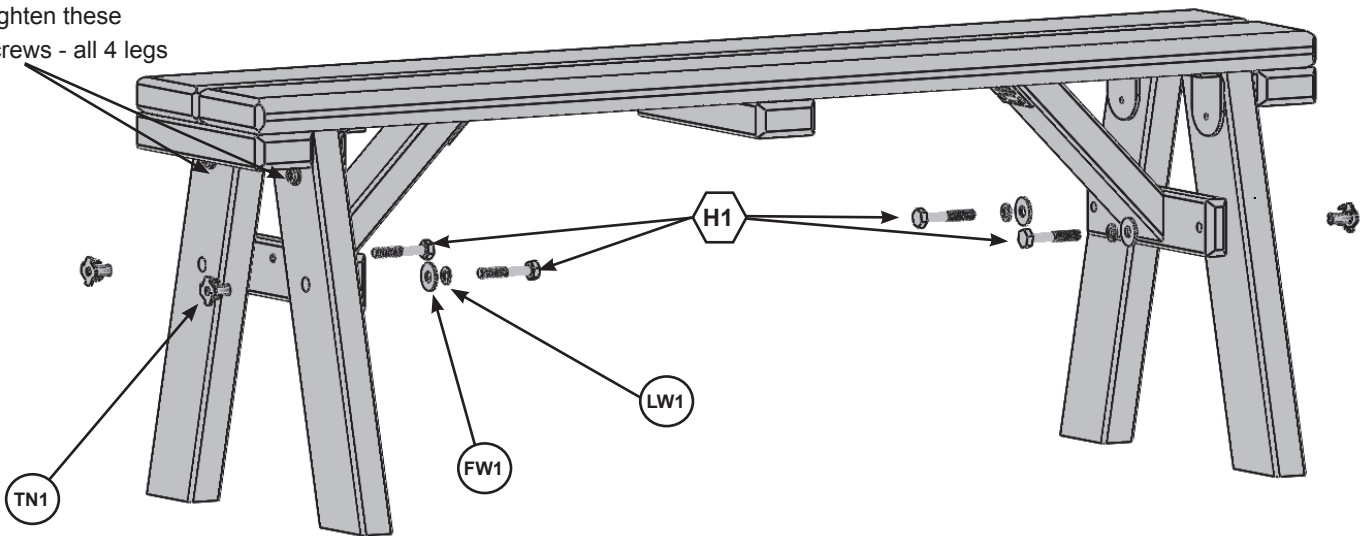
142



Assemble T-Nut first with hammer!



Tighten these screws - all 4 legs



**Wood Parts**

1 x **2658** 61.1 mm x 171.5 mm x 863.6 mm (2 13/32" x 6 3/4" x 34")

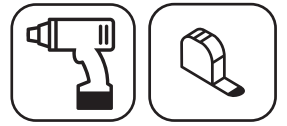
**Hardware**

4 x **H1** 6.4 x 38.1mm (1/4 x 1-1/2") (LW1, FW1, TN1)

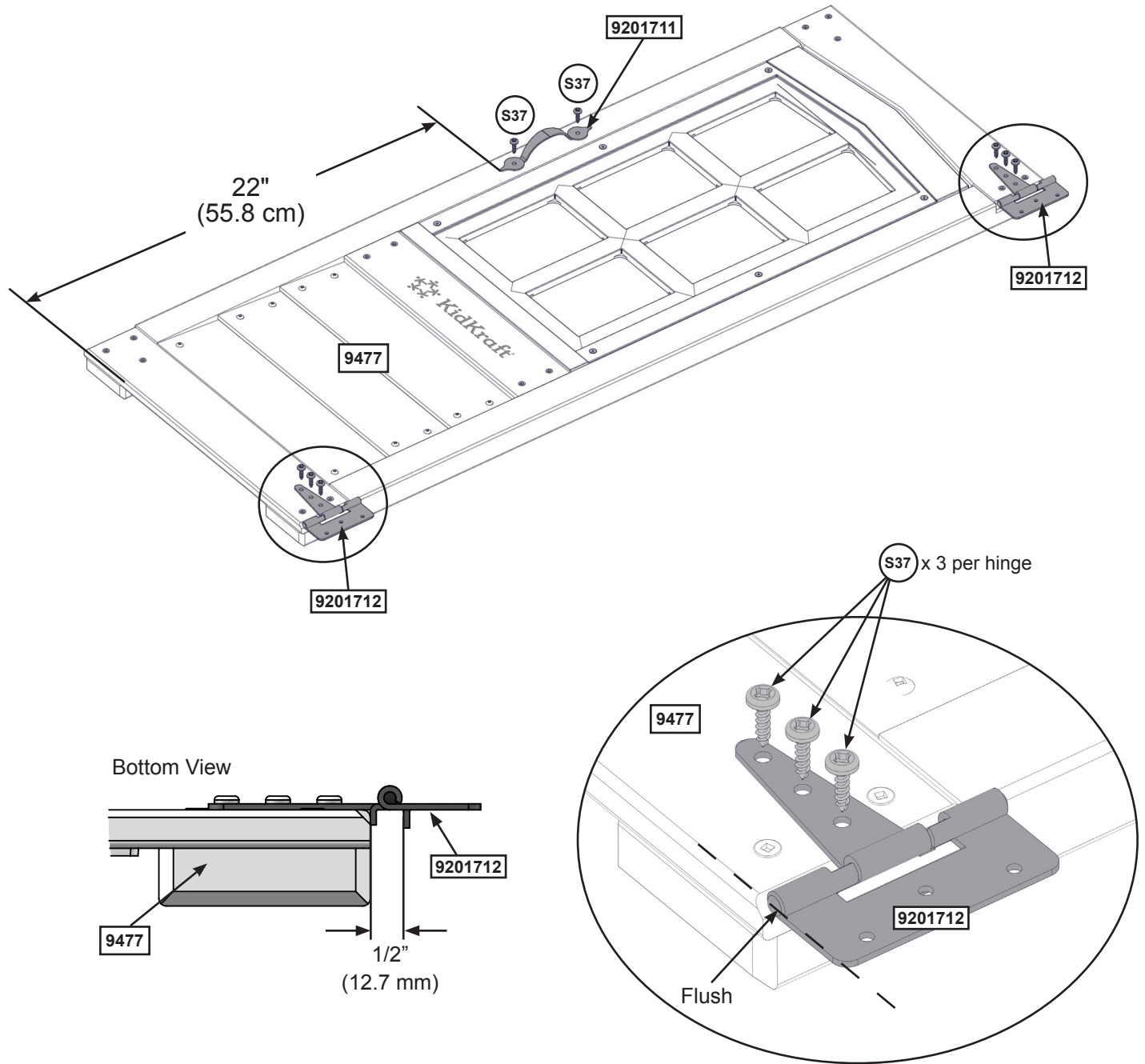
europecustomerservice@kidkraft.com  
 +31 20 305 8620  
 M-F from 09:00 to 17:30 (GMT+1)

parts.kidkraft.eu

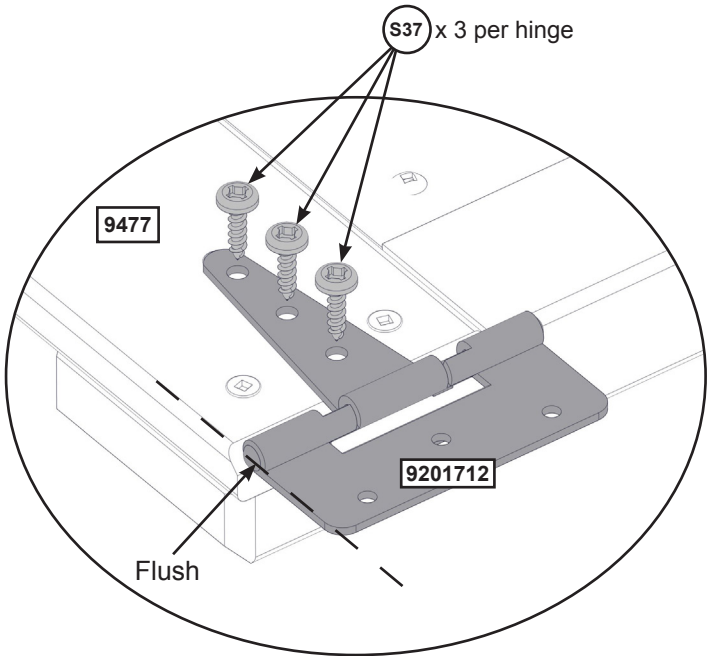
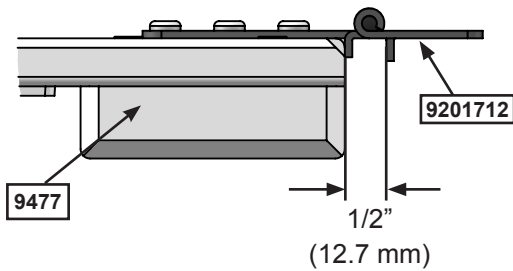




Outside View



Bottom View



**Wood Parts**

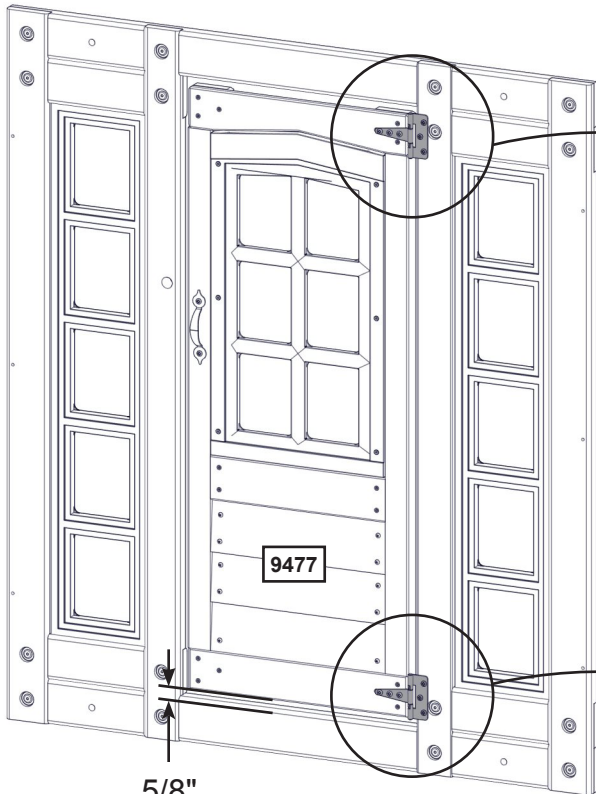
1 x 9477 31.8 mm x 400.1 mm x 1028.6 mm (1 1/4" x 15 3/4" x 40 1/2")

**Hardware**

8 x S37 #7 x 15.87mm (#7 x 5/8")

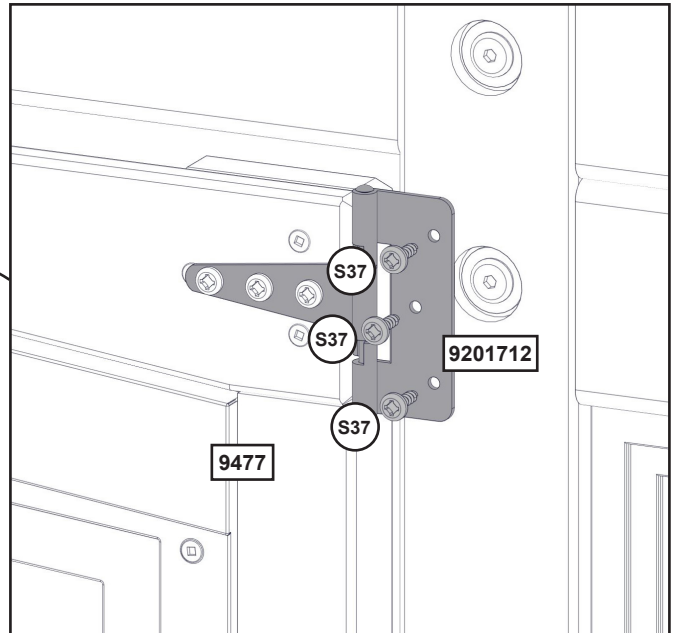
**Other Parts**

1 x 9201711  
2 x 9201712



5/8"  
(16 mm)

9477



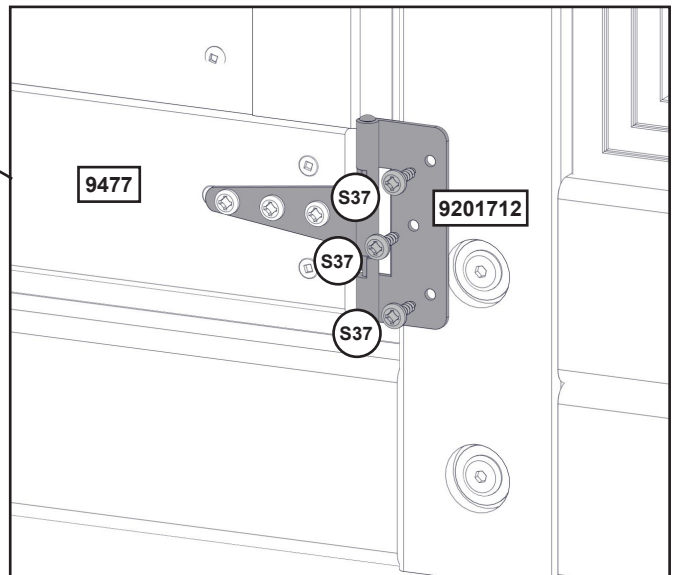
9477

S37

S37

S37

9201712



9477

S37

S37

S37

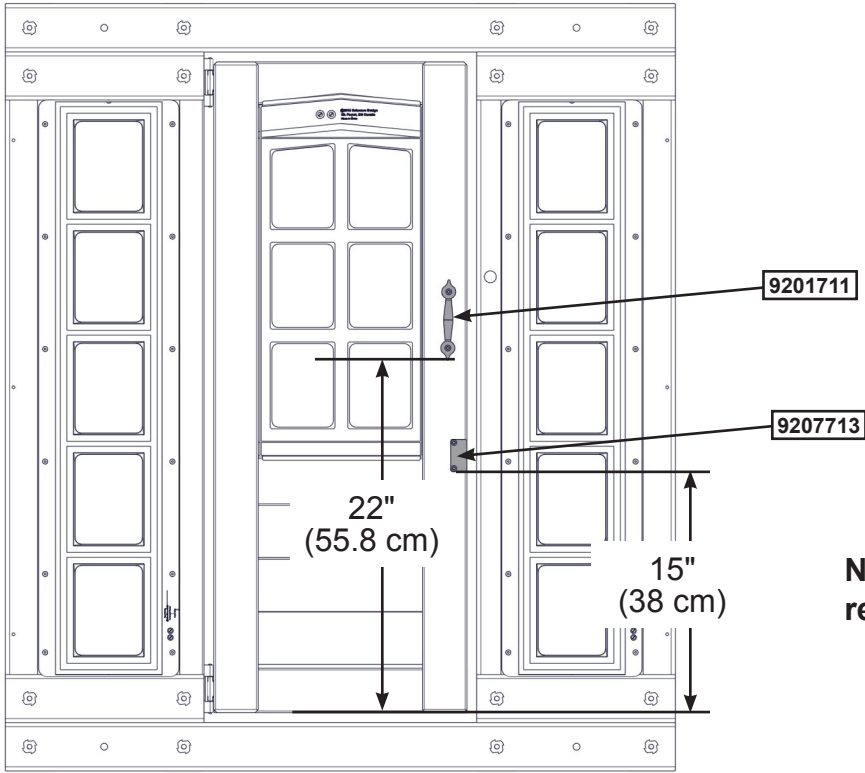
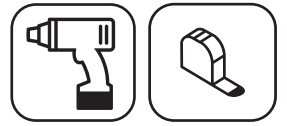
9201712

**Note: Structure partly removed for clarity.**

**Hardware**

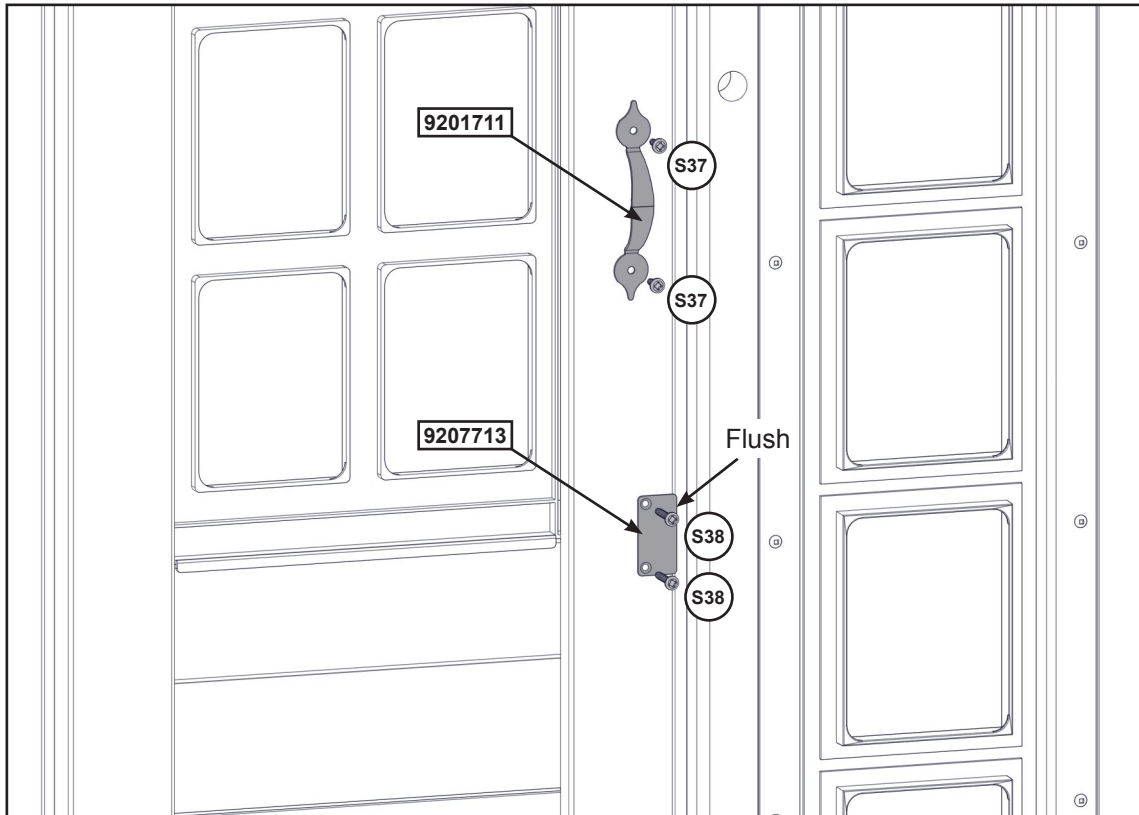
6 x  #7 x 15.87mm (#7 x 5/8")





**Note: Structure partly removed for clarity.**

**Inside View**



**Hardware**

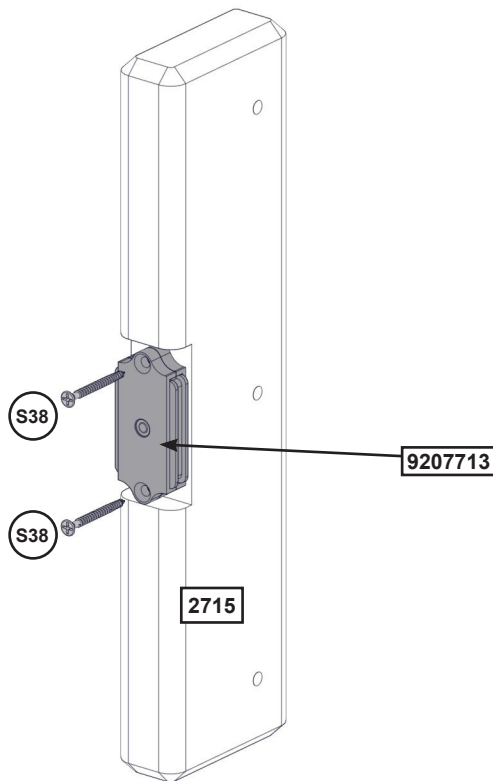
- 2 x #7 x 15.87 mm (#7 x 5/8")
- 2 x #7 x 28.6 mm (#7 x 1-1/8")

**Other Parts**

- 1 x
- 1 x



Important: Use a hand held screw driver and DO NOT over tighten.



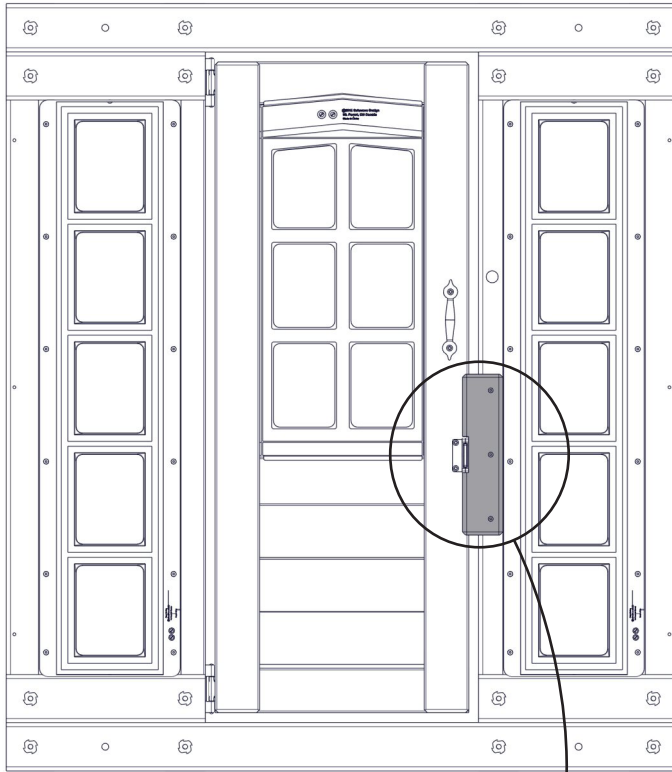
#### Wood Parts

1 x 2715 25.4 mm x 63.5 mm x 254 mm (1" x 2 1/2" x 10")

#### Hardware

2 x S38 #7 x 28.6 mm (#7 x 1-1/8")

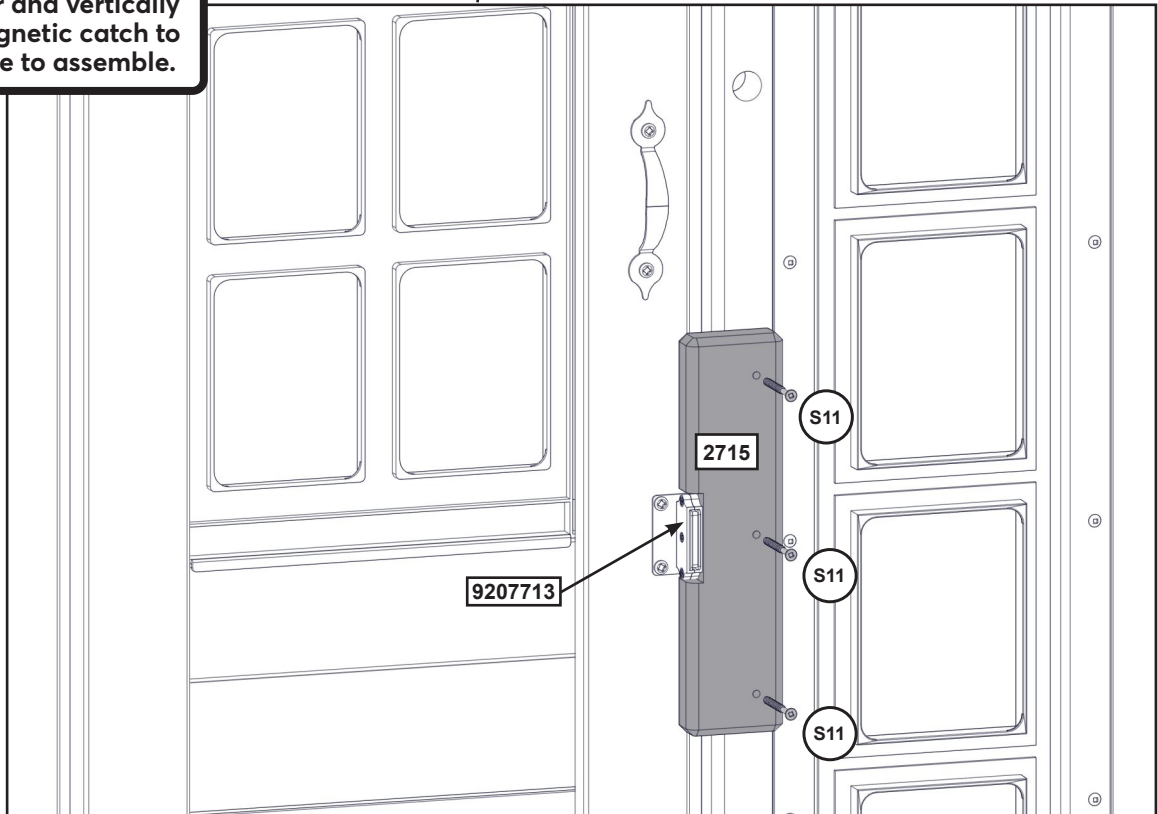




Note: Structure partly removed for clarity.

Inside View

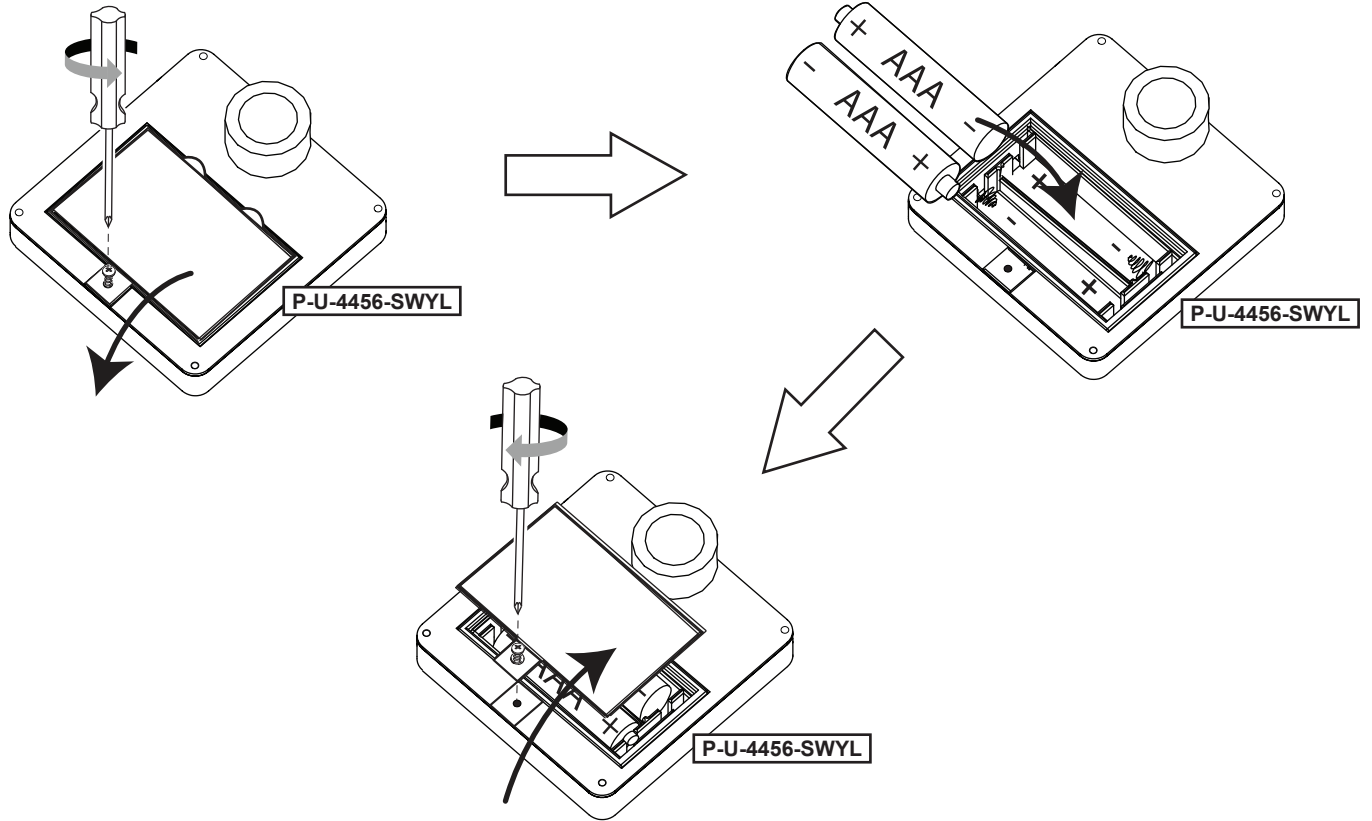
Close door and vertically center magnetic catch to catch plate to assemble.



Hardware

3 x S11 #8 x 50.8mm (#8 x 2")

Requires 2 AAA batteries (not included)

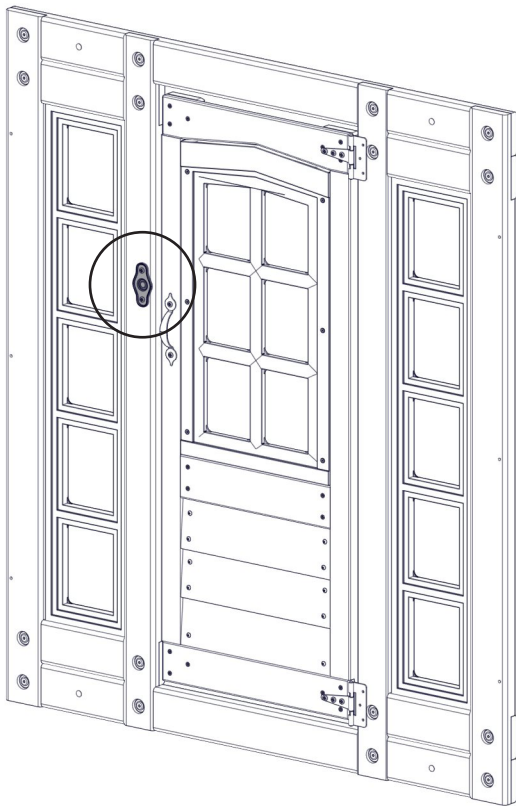


Test the electronics before proceeding with assembly. If you have any issues, please contact customer service.



**Other Parts**

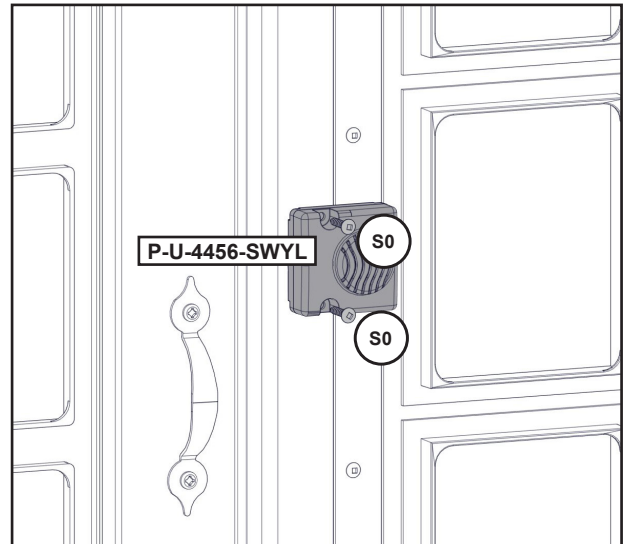
1 x P-U-4456-SWYL



**Note: Structure partly removed for clarity.**



**Outside View**

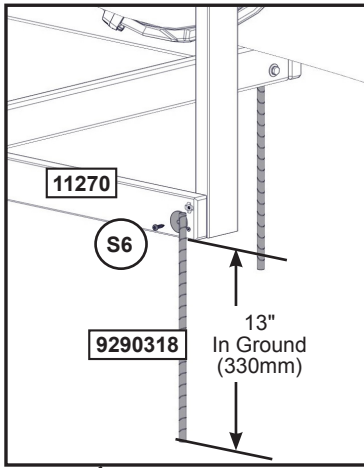


**Inside View**

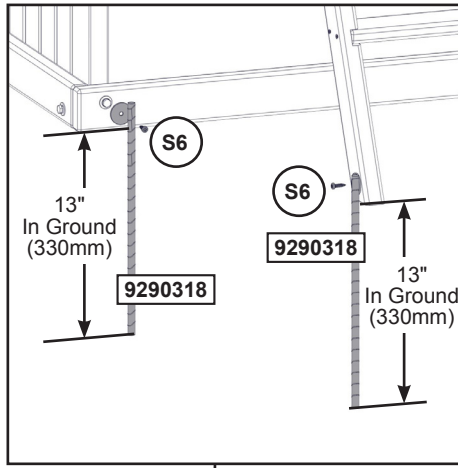
**Hardware**

- 2 x **S0** #8 x 22.2 mm (#8 x 7/8")
- 2 x **S37** #7 x 15.87 mm (#7 x 5/8")

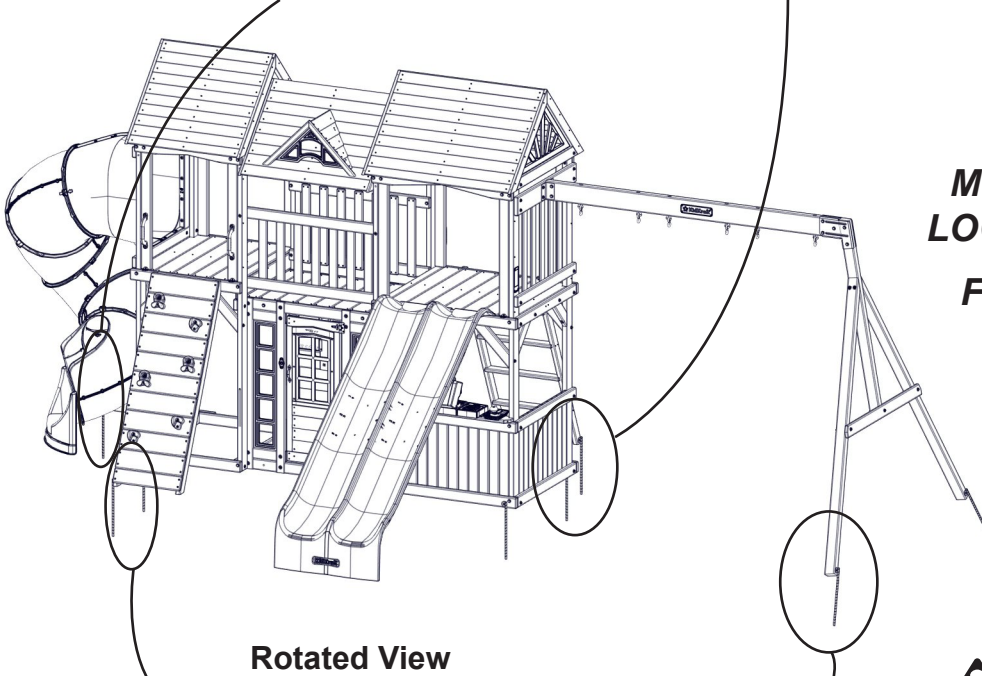
150



Rotated View

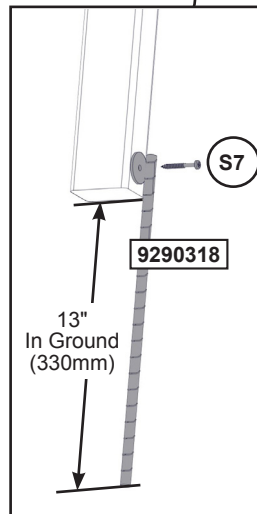
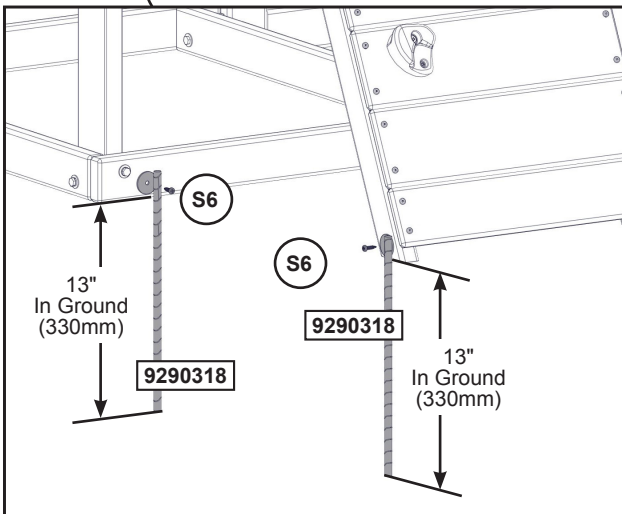


Back View



Rotated View

**MOVE SWING SET TO FINAL LOCATION PRIOR TO STAKING**  
**FINAL LOCATION MUST BE LEVEL GROUND**



**Warning!** To prevent tipping and avoid potential injury, stakes must be driven 13" (330mm) into ground. Digging or driving stakes can be dangerous if you do not check first for under-ground wiring, cables or gas lines.

**SEE COVER PAGE FOR SAFETY CLEARANCE**

**Hardware**

- 6 x **S6** #12 x 25.4 mm (#12 x 1")
- 2 x **S7** #12 x 50.8 mm (#12 x 2")

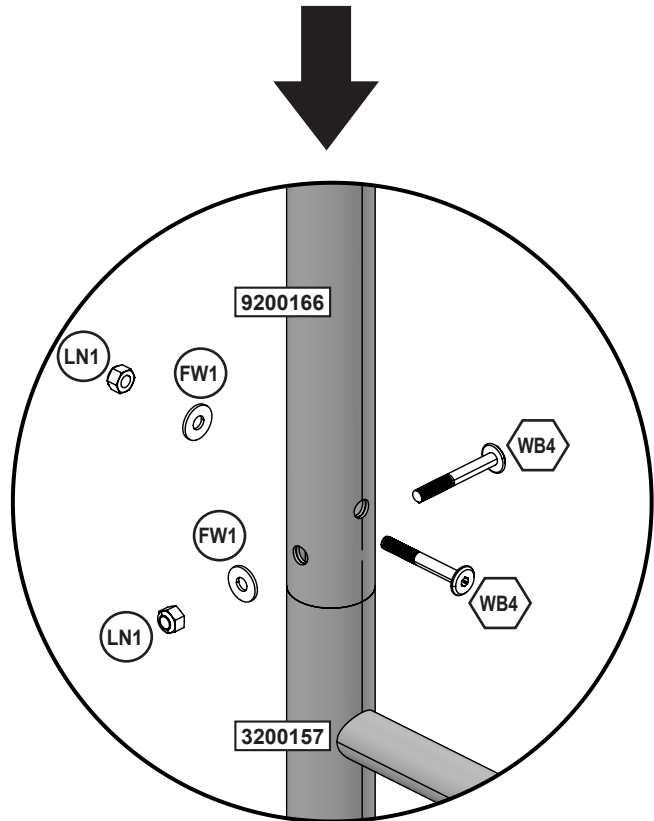
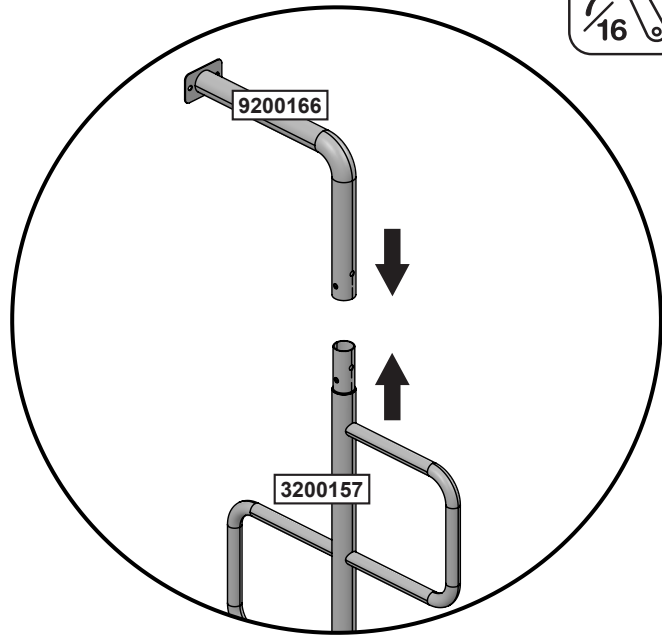
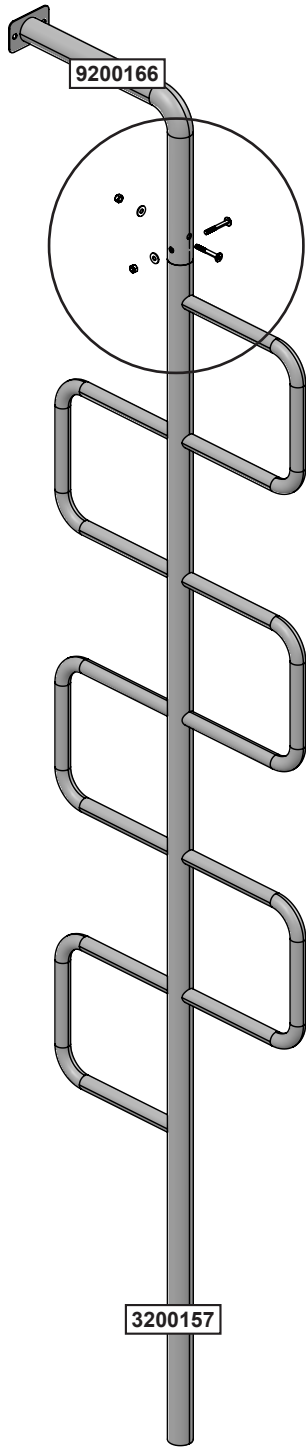
**Other Parts**

- 8 x **9290318**

europecustomerservice@kidkraft.com  
 +31 20 305 8620  
 M-F from 09:00 to 17:30 (GMT+1)

parts.kidkraft.eu

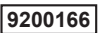


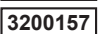


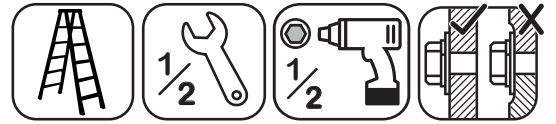
**Hardware**

2 x  6.4 mm x 50.8 mm (1/4 x 2") (FW1, LN1)

**Other Parts**

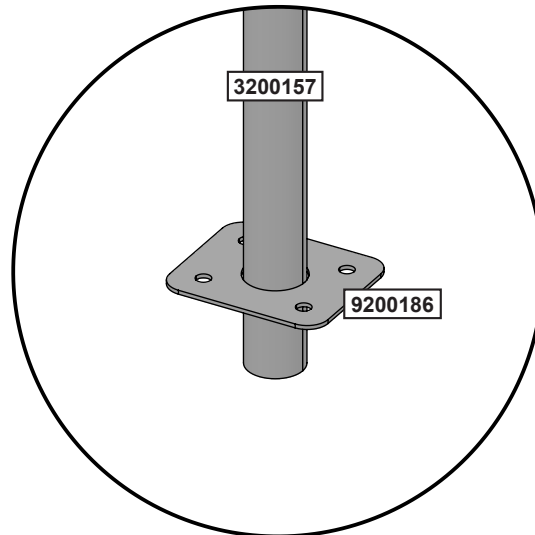
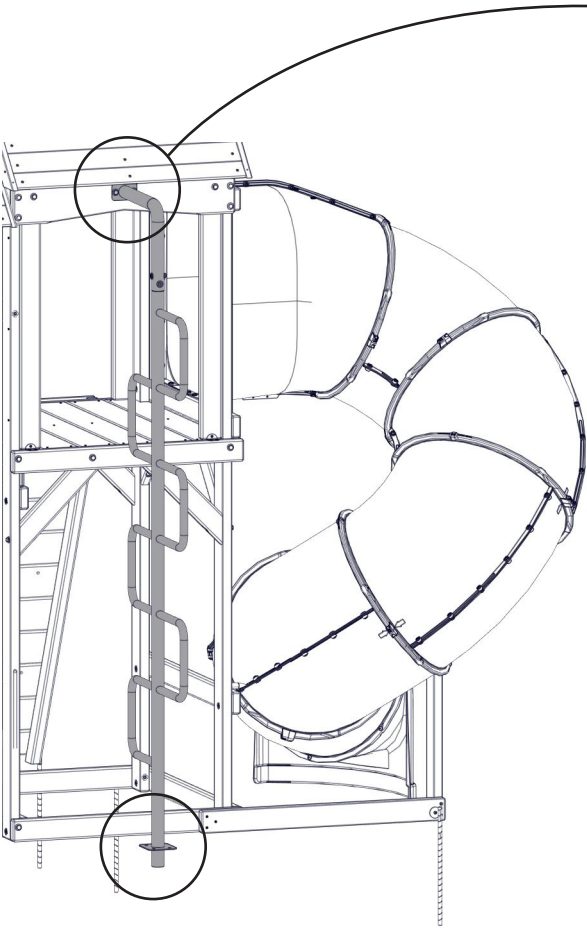
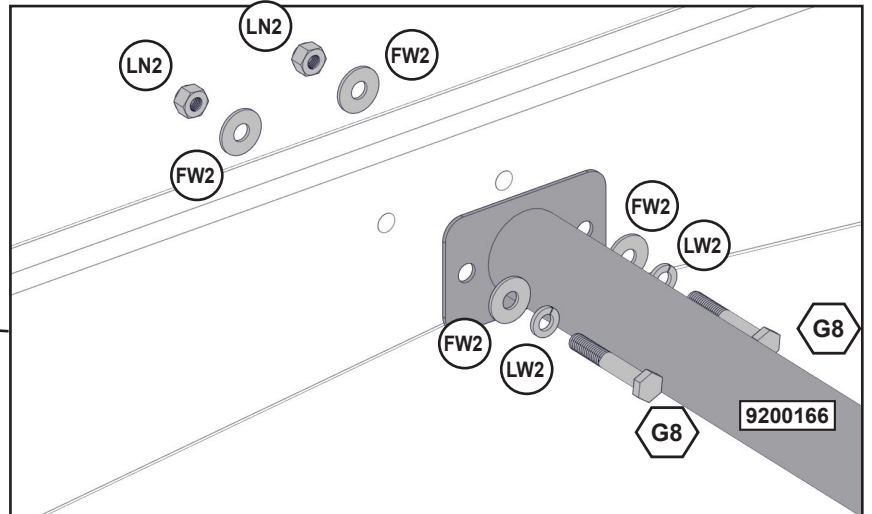
1 x 

1 x 



Make sure the Fireman Pole is straight and that the bottom of the pole is inserted into the ground as needed.

Note: Structure partly removed for clarity.



**Hardware**

2 x 7.9 x 50.8 mm (5/16 x 2") (LW2, FW2 x 2, LN2)

**Other Parts**

1 x 9200186





153

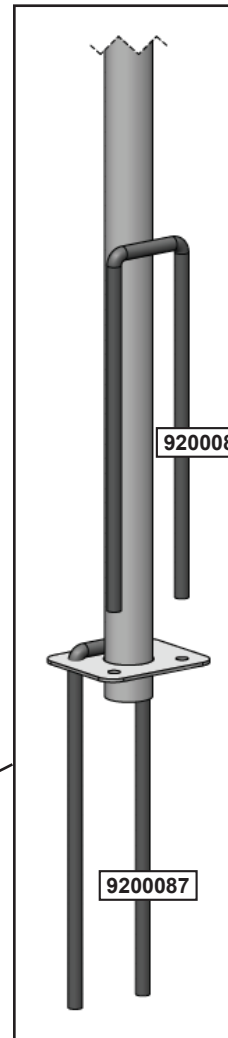
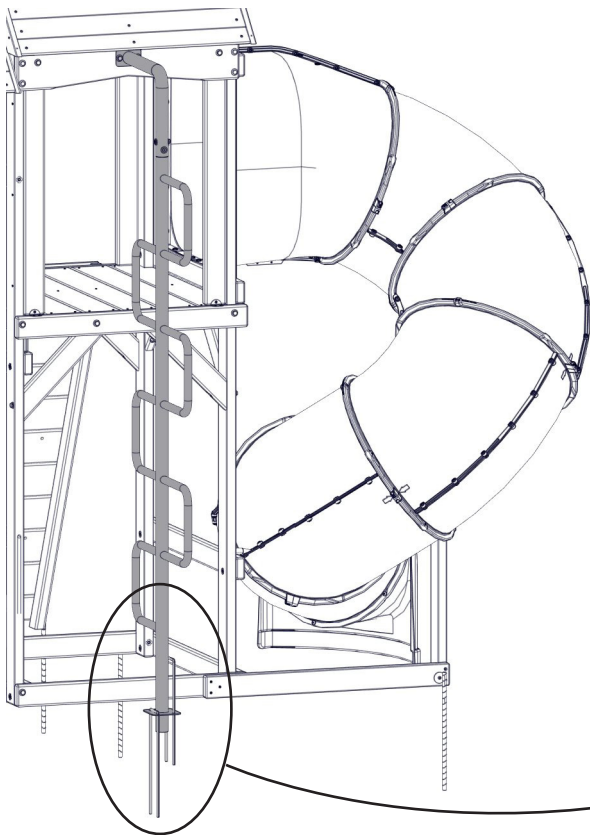


**Warning!** To prevent tipping and avoid potential injury, stakes must be driven 13"(330mm) into ground. Digging or driving stakes can be dangerous if you do not check first for under-ground wiring, cables or gas lines.



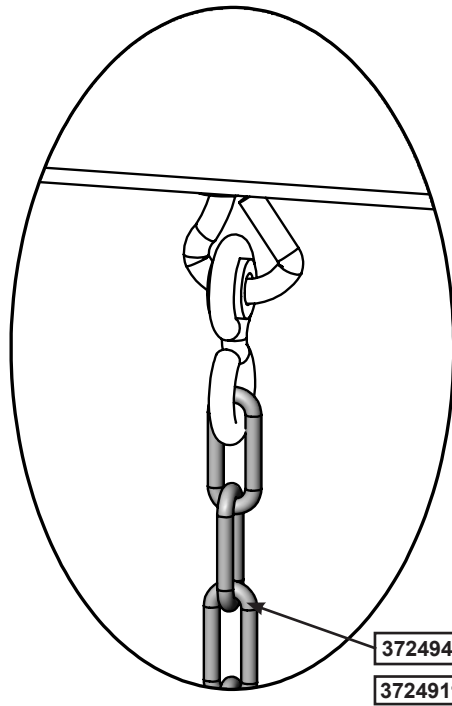
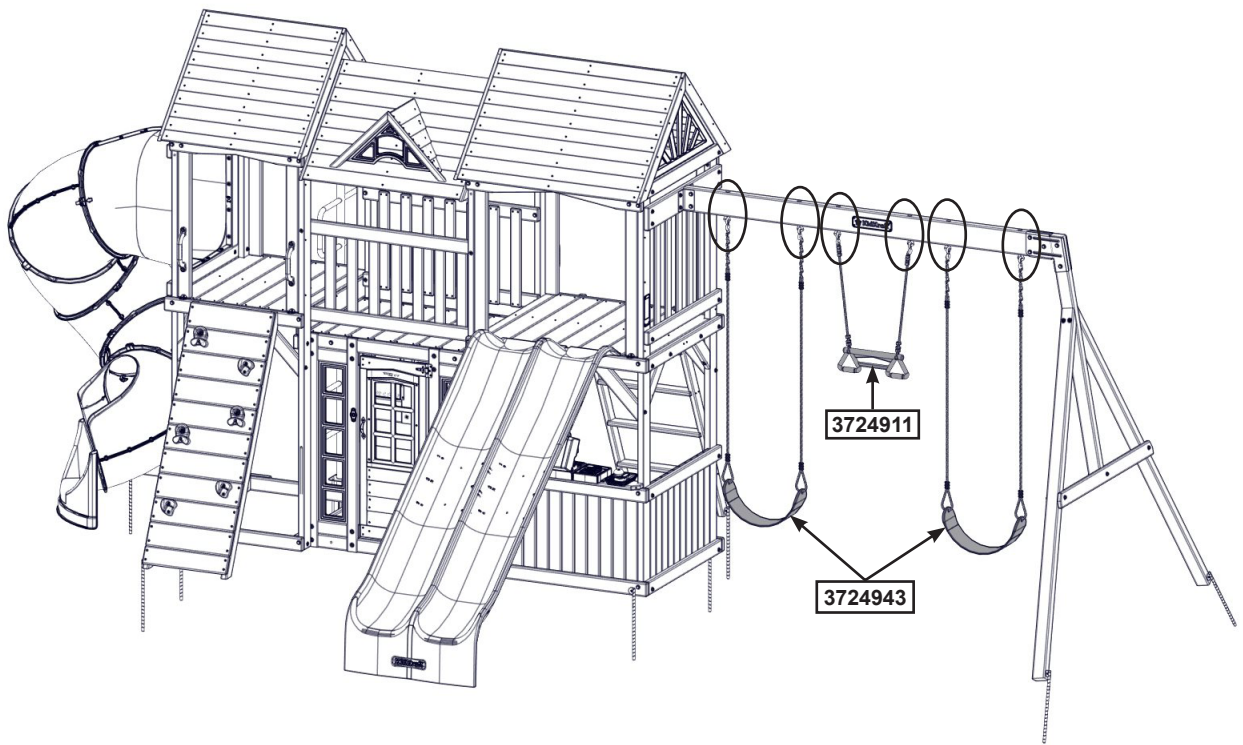
Hammer U-Style Ground Stakes into the holes in the plate until they are fully anchored into the ground.

**Note:** Structure partly removed for clarity.



**Other Parts**

2 x **9200087**



**Other Parts**

2 x 3724943

1 x 3724911







