

Installation Guide

Kitchen Sinks

K-5415, K-5416, K-5417

M product numbers are for Mexico (i.e. K-12345**M**)
Los números de productos seguidos de
M corresponden a México (Ej.
K-12345**M**)
Français, page "Français-1"
Español, página "Español-1"

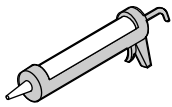
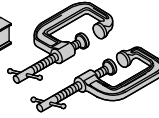
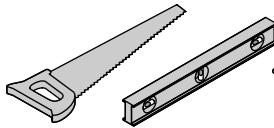
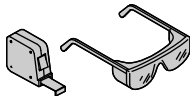
THE BOLD LOOK
OF **KOHLER**®

1224364-2-C

Tools and Materials



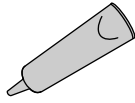
1" Hole Saw



Construction Adhesive



Painter's Tape



Silicone Sealant

Plus:

- Suitable support framing material [3/4" (19 mm)] max thickness
- Screws

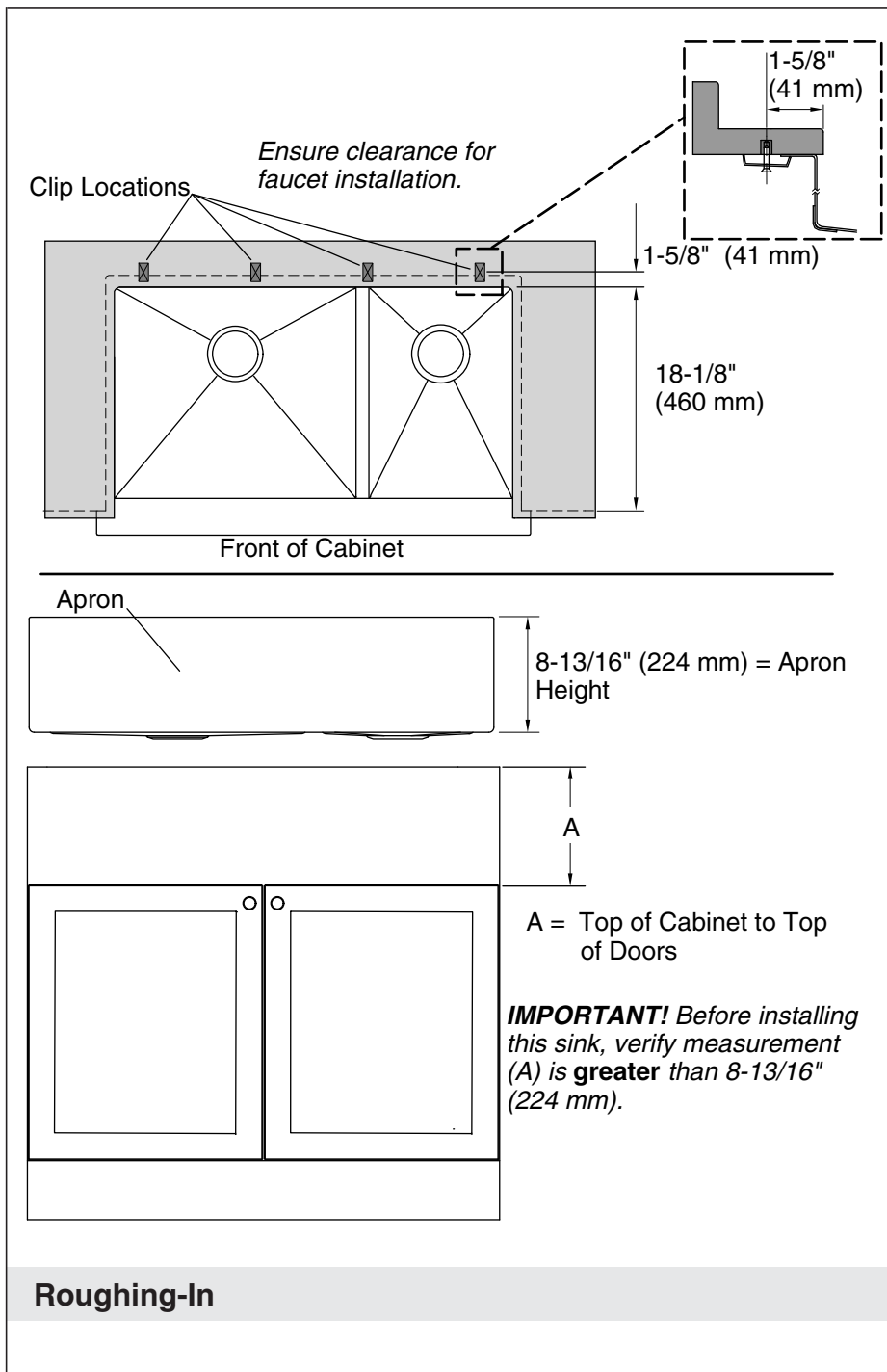
Before You Begin

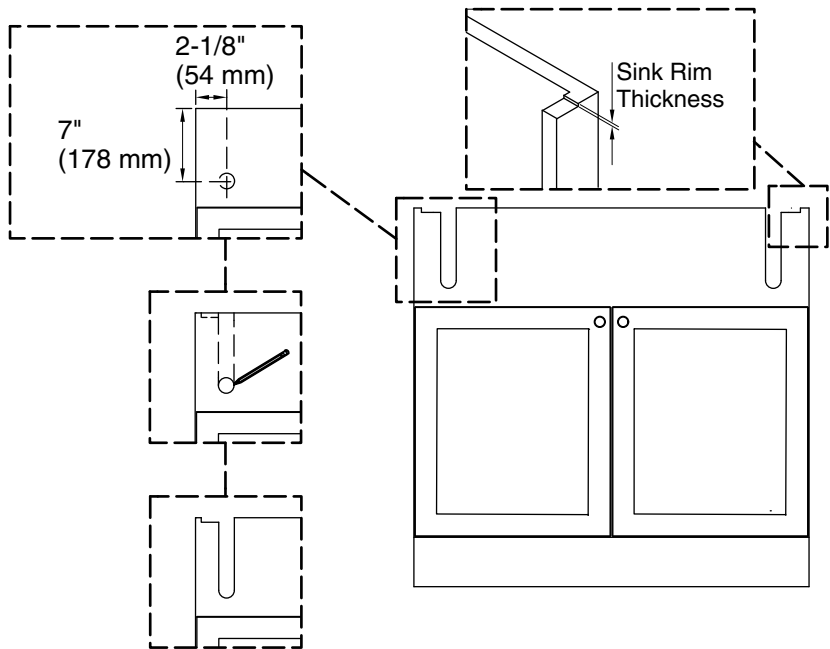
IMPORTANT! Refer to the "Roughing-In" section for cabinet dimensional requirements.

IMPORTANT! This sink must be installed prior to the installation of the countertop. Cut-line is based from the front face of the cabinet.

IMPORTANT! Long screws may damage adjacent cabinets. Ensure the screws are long enough to secure the support framing, but short enough not to extend through the walls of adjacent cabinets.

- Due to the nature of under-mount installations, Kohler Co. recommends that under-mount sink installations be performed by trained and experienced installers.
- Use proper fasteners and techniques to ensure the frame will support a minimum of 300 lbs (136 kg). Locate the fasteners for easy access in the event the sink needs to be removed.
- **For K-5417 Only:** This sink is intended for installation into a 30" apron sink base cabinet.
- **For K-5415 and K-5416 Only:** This sink is intended for installation into a 36" apron sink base cabinet.
- Observe all local plumbing and building codes.



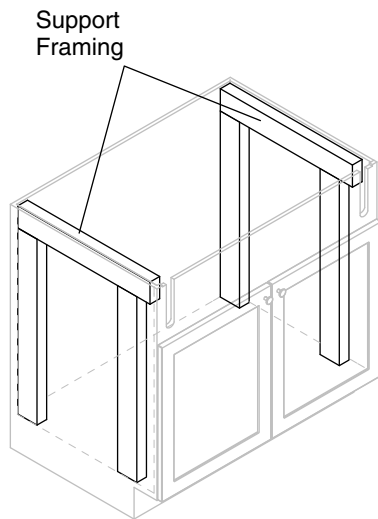


1. Preparation

IMPORTANT! Before installing this sink, verify that the distance from the top of the cabinet to the top of the doors is greater than 8-13/16" (224 mm).

TIP: Apply painter's tape to the cabinet to mark cuts and protect cabinet surfaces when cutting.

- Measure and mark the hole locations.
- Drill 1" holes at each marked location.
- Mark vertical lines from the hole to the top of the cabinet as shown.
- Cut along the marked lines to form two slots.
- Notch the cabinet to accommodate the thickness of the sink rim. The top of the sink should be flush with the top of the cabinet when installed.



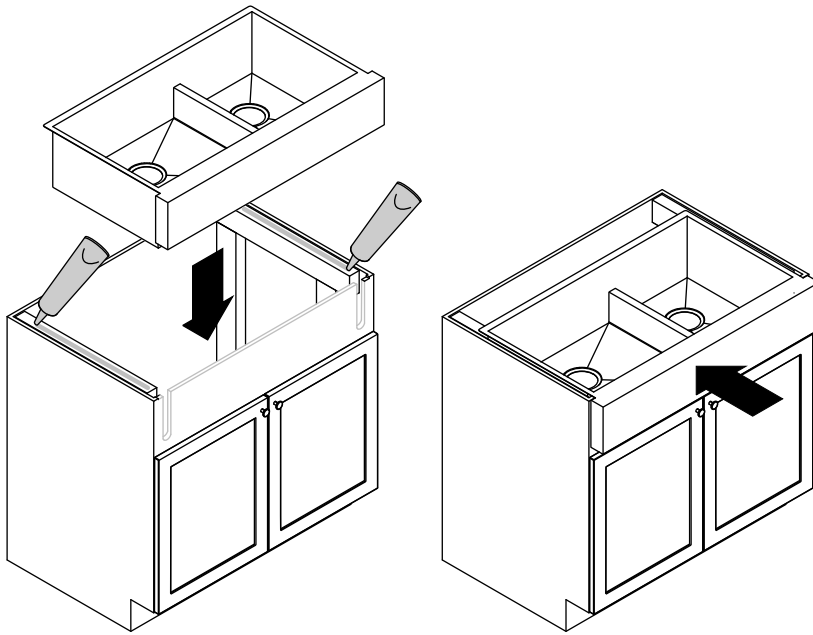
2. Install Wood Supports

NOTICE: For proper countertop installation, the top of the sink must not extend above the top of the cabinet.

- Cut two lengths of support framing to extend horizontally along the inside walls on each side of the cabinet.
- Measure and mark the support mounting locations; ensure the sink rim will sit at or slightly below the top of the cabinet.
- Position and level the supports.

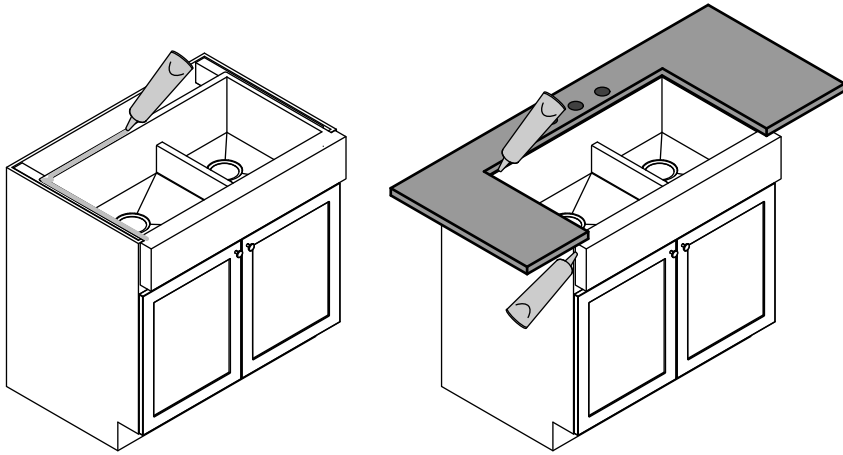
TIP: Use clamps to hold the supports in position.

- Secure the supports with construction adhesive and screws (not provided).
- Cut four lengths of support framing to extend from the bottom of the installed supports to the floor of the cabinet.
- Secure the vertical supports with construction adhesive and screws (not provided).



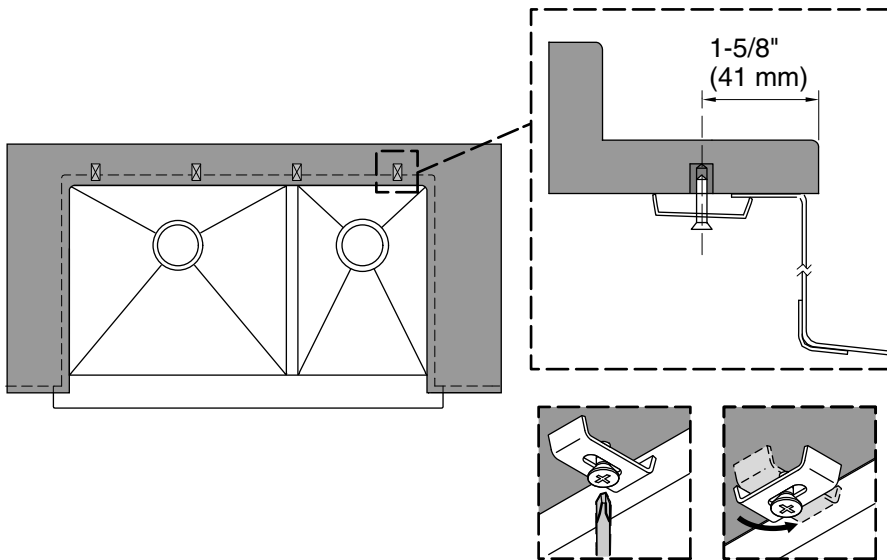
3. Install the Sink

- Lower the sink into the cabinet. Verify the sink is supported by the frame.
- Verify the sink is level, make any adjustments and shim as needed.
- Remove the sink.
- Apply a bead of silicone sealant to the top of each support.
- Lower the sink onto the supports and push in to ensure the apron is flush to the front of the cabinet.



4. Install the Countertop

- Apply a bead of silicone sealant around the sides and back of the sink.
- Install the countertop.
- Apply a thin bead of silicone sealant where the sink meets the countertop and cabinet.
- Immediately wipe away any excess sealant.



5. Secure the Sink

NOTE: Anchors are pre-installed by the countertop manufacturer.

- Install the clips to the countertop, ensure each clip engages the rim. Tighten evenly.
- Wipe away any excess sealant.

6. Complete the Installation

- Install the faucet and the strainers according to the installation instructions.
- Connect the trap to the strainers.