

NXSMDT Series

WALL SWITCH SENSOR - LIGHTHAWK

FEATURES

- Digitally configurable Dual Technology Ultrasonic (US) and Passive Infrared (PIR) detection technologies
- Simple wired plug-and-play connection to NX Room Controllers and hybrid wireless connection to NX wireless enabled devices
- Integrated 2.4GHz Wireless Mesh and Bluetooth® radio for easy commissioning and communication
- Fully configurable switch type functionality
- Integrated photocell for daylight harvesting application
- Device configuration through NX Lighting Controls Mobile App and NX Area Controller
- Patented IntelliSCOPE™ technology enabled providing real time visibility of motion (US and PIR) for improved accuracy of sensor sensitivity and time delay adjustments
- Five-year limited warranty



SPECIFICATIONS

CONSTRUCTION

- Housing: Rugged injection molded plastic, Polylac FR-ABS, (UL-94 5VA) flame class rating
- Color: White, Black, Gray (MTS); Ivory, Light Almond, Red (MTO)
- 2.4oz (68g)
- Dimensions: 4.12" (104.65mm) H x 1.86" (47.24mm) x 1.86" (47.24mm) D

MOUNTING

- Single-gang NEMA-style switch box (standard switch box - max mounting height: 48")
- Decorator-style wall plate sold separately

ELECTRICAL INPUT

- Input Voltage: 12-24VDC supplied by NX Room Controller (p/n NXRCFX -not included)
- Power Consumption: 35mA
- NX PBU: 5

OPERATING ENVIRONMENT

- Rated for Indoor Use Only
- Operating temperature: 32°F to 104°F (0°C to 40°C)
- Relative humidity (non-condensing) 0% to 95%

WIRELESS

- 2.4GHz: IEEE 802.15.4 based
- Bluetooth® Version V5.2
- Radio Range: ~100ft. (30m) Note: Actual range is dependent upon building construction and radio location
- Recommended Deployment Practices: Locate three radios within a 300 foot radius for most reliable performance

SENSOR

- Detection Technology: Passive Infrared and Ultrasonic (Selectable)
- Coverage: Adjustable up to 1,000 square feet
- LED Indicator (Red) indicates infrared motion detection
- LED Indicator (Green) indicates ultrasonic motion detection

PROGRAMMING INTERFACE

- NX Lighting Controls Mobile App
- NX Area Controller (NXAC2) for Network Applications

CERTIFICATIONS

- cULus Listed
- Complies with FCC Part 15
 - FCC ID: YH9NXSMDT-LH
 - IC: 9044A-NXSMDTLH

- This product meets federal procurement law requirements under the Buy American Act (FAR 52.225-9). See [Buy America\(n\) Solutions](#).

WARRANTY

- 5 year limited warranty
- See website for additional information

NXSMDT Series

WALL SWITCH SENSOR - LIGHTHAWK

ORDERING GUIDE

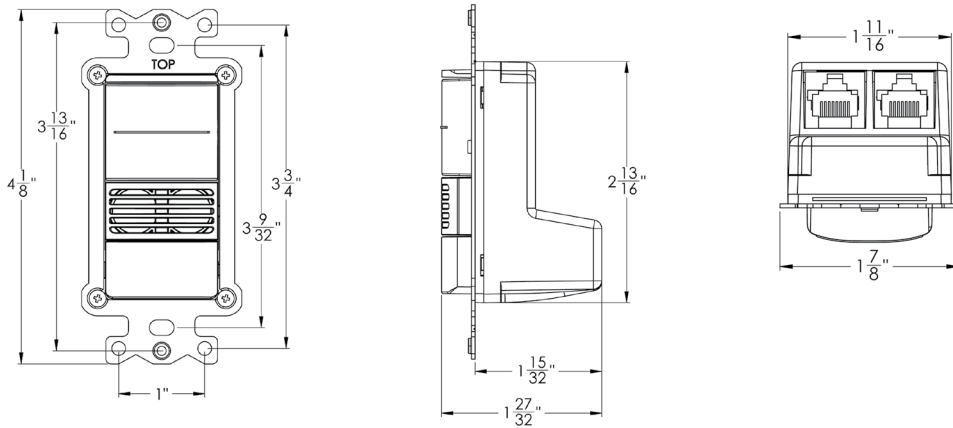
Example: NXSMDT-LH2-WH

 CATALOG #

NXSMDT		Sensor Type		Color		BAA*	
Model							
NXSMDT	NX Digital Smart Occupancy Sensor, Wall Switch, PIR and Ultrasonic, with Daylight Harvesting, Integrated Bluetooth®, Dual RJ45 SmartPort	LHO	0 Button	WH	White	Blank	Standard Product
		LH1	1 Button	BK	Black		* See Buy American Solutions below
		LH2	2 Button	GY	Gray		
				IV	Ivory ¹		
				LA	Light Almond ¹		
				RD	Red ¹		

*Buy American Solutions
BAA
FAR §52.225-9
NXSMDT-LH1-WH-U
NXSMDT-LH2-WH-U

DIMENSIONS



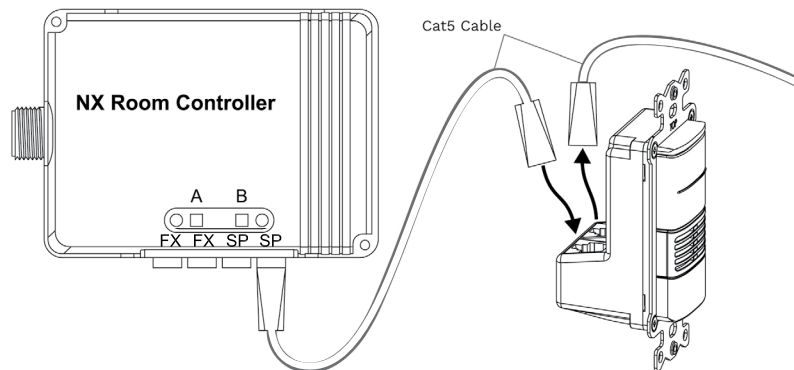
Notes:

- Made to Order Options; Consult Factory for Lead Times

*See Buy American Solutions above

ADDITIONAL INFORMATION

Wiring Diagrams

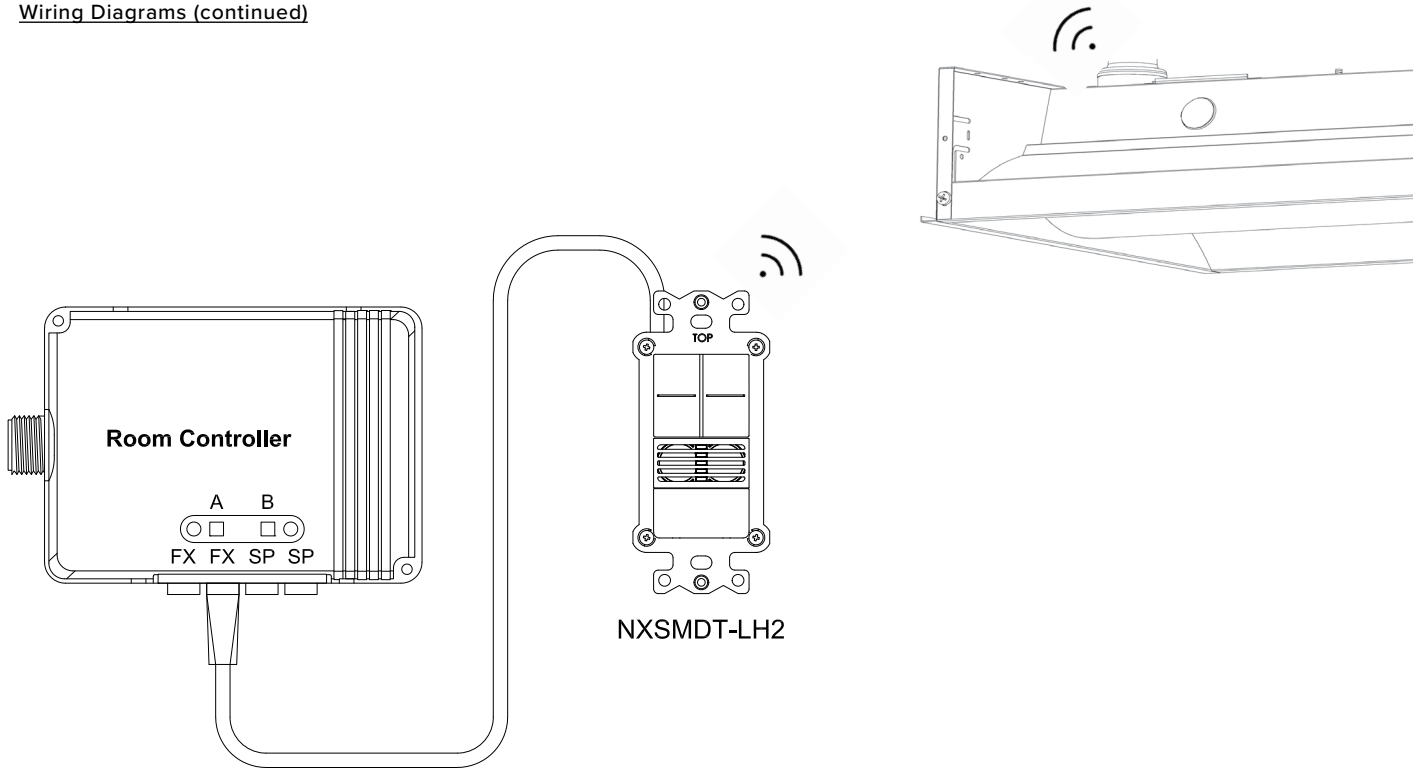

NX LightHAWK (NXSMDT-LH1) with NXRCFX2 Room Controller

NXSMDT Series

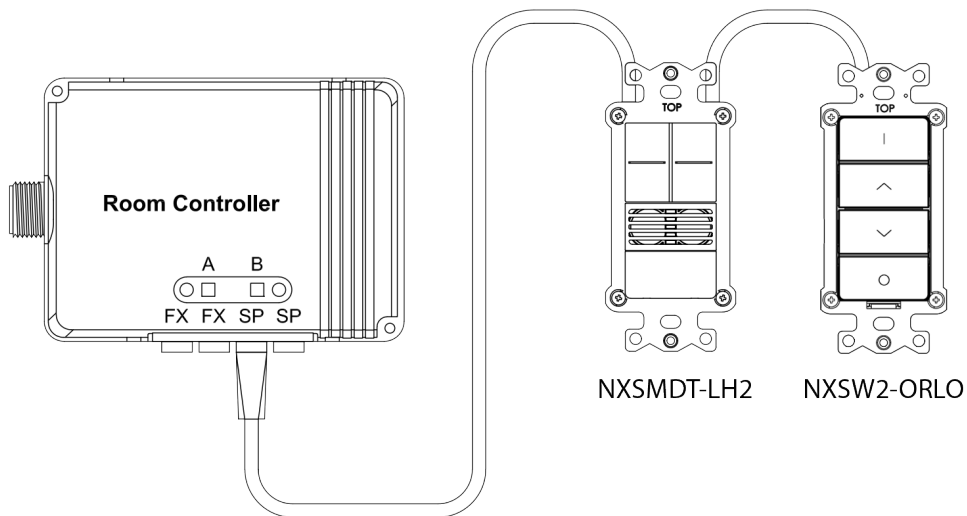
WALL SWITCH SENSOR - LIGHTHAWK

ADDITIONAL INFORMATION (CONTINUED)

Wiring Diagrams (continued)



NX LightHAWK (NXSMDT-LH2) Wireless Configuration with NX Enabled Luminaires

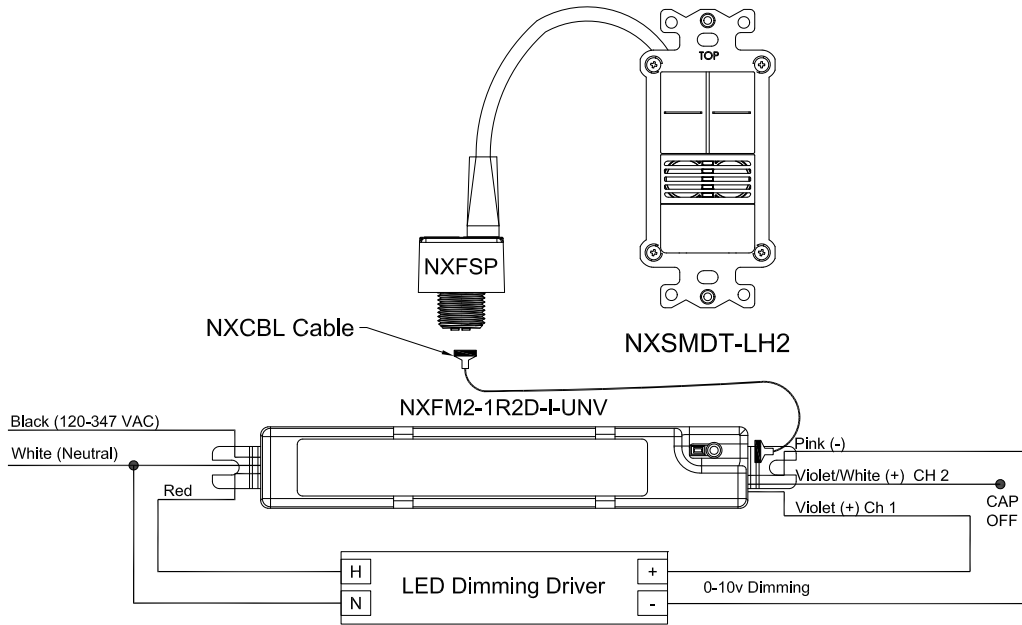


NX LightHAWK (NXSMDT-LH2) daisy chained with 4 Button NX Smart Switch

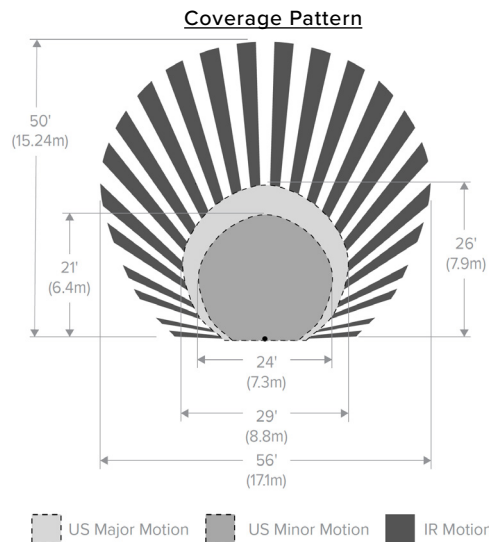
NXSMDT Series

WALL SWITCH SENSOR - LIGHTHAWK

ADDITIONAL INFORMATION (CONTINUED)



NX LightHAWK (NXSMDT-LH2) with NXFM2-I Fixture Module



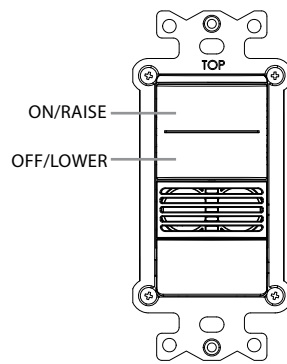
NXSMdT Series

WALL SWITCH SENSOR - LIGHTHAWK

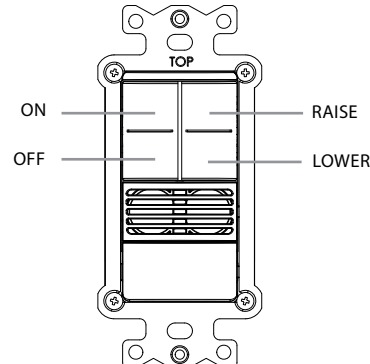
DEFAULT AND CONFIGURABLE SENSOR SETTINGS

Sensor Settings	Available Settings	Default Settings
Occupancy Sensor Modes	PIR & US; PIR Only; US Only	PIR & US
Occupancy Sensor Sensitivity	Levels 1 (Low) - 10 (High)	PIR 7, US 7
Occupancy Sensor Timeout	1 Sec - 20 Minutes	15 Minutes
Occupied When	Motion detected by PIR AND US; Motion detected by PIR OR US	Motion detected by PIR AND US
Unoccupied When	No motion detected by PIR AND US; No motion detected by PIR OR US	No motion detected by PIR AND US
Lightbar Mode	Location Indicator; Group Status; Occupancy	Location Indicator
Daylight Sensor Modes	Closed Loop Full Range Dimming; Closed Loop On/Off; On/Off; Disabled	Disabled
Bluetooth® Radio Modes	Enabled; Disabled	Enabled
LED Status Modes	Off; Passive Infrared (Red); Ultrasonic (Green); Both Enabled	Both Enabled
Passcode	Enabled; Disabled	Enabled (Factory Passcode: Curr3nt!)

DEFAULT AND CONFIGURABLE SWITCH SETTINGS



NXSMdT-LH1



NXSMdT-LH2

NXSMDT Series

WALL SWITCH SENSOR - LIGHTHAWK

Button Type	Button Function
Toggle	Group ON 100% Group OFF 0%
RAISE On	Group ON (level configurable)
LOWER Off	Group OFF (level configurable)
Raise	Ramp Group Level Up
Lower	Ramp Group Level Down
On/Raise	Tap Group ON (configurable) Press & hold while ON to ramp group level up
Off/Lower	Tap Group OFF (configurable) Press & hold while ON to ramp group level down

Button Type	Button Function
Timed On	Group ON 100% (configurable) Group OFF 0% at timeout (configurable)
Preset	Active preset scene (1-16)
On/Off	Group ON (level configurable) Group OFF(level configurable)
Partition	Tap ON to combine rooms Tap OFF to separate rooms
CCT On	Group ON to selected color
On/Raise/ Lower/Off	Group ON 100%(configurable) Press & hold while ON to ramp group up Release & press again to ramp group down Group OFF 0% at timeout (configurable)
CCT Raise	Ramp group color temp up
CCT Lower	Ramp group color temp down