

**CODE NUMBER**

0318119

**DESCRIPTION**

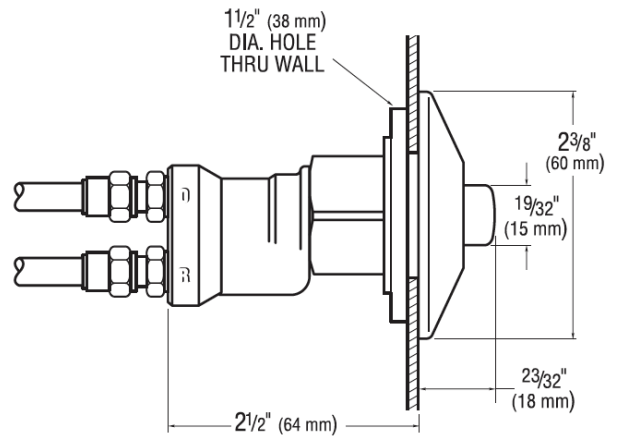
Standard

**FEATURES**

- Hydraulically Operated Push Button Assembly that includes the following features:
- ADA Compliant Non-Hold-Open feature type Actuator
- Spring Loaded, Metal Button
- Two 48" (914 mm) long flexible tubing for connection to Series 900 Hydraulic Flushometer

**NOTES**

All information contained within this document subject to change without notice.



**COMPLIANCES & CERTIFICATIONS**



(ADA Compliant, BAA Compliant, UPC Certified)

**DOWNLOADS**

- [Sloan 900 Hydraulic Concealed Installation Instructions](#)
- [Series 900 Flushometers Repair and Maintenance Guide](#)
- [Additional Downloads](#)