
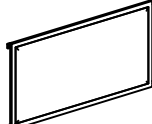















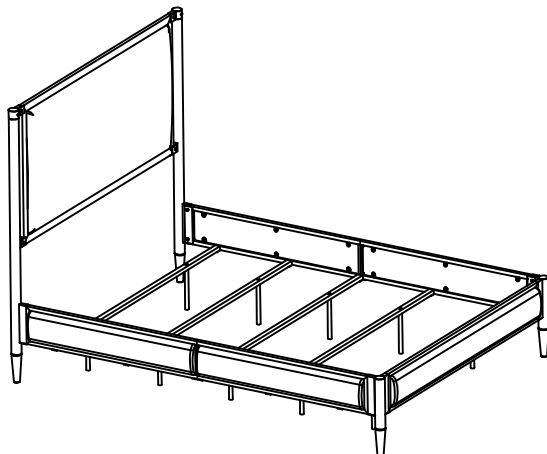


# ASSEMBLY INSTRUCTION

## E453BQ QUEEN BED

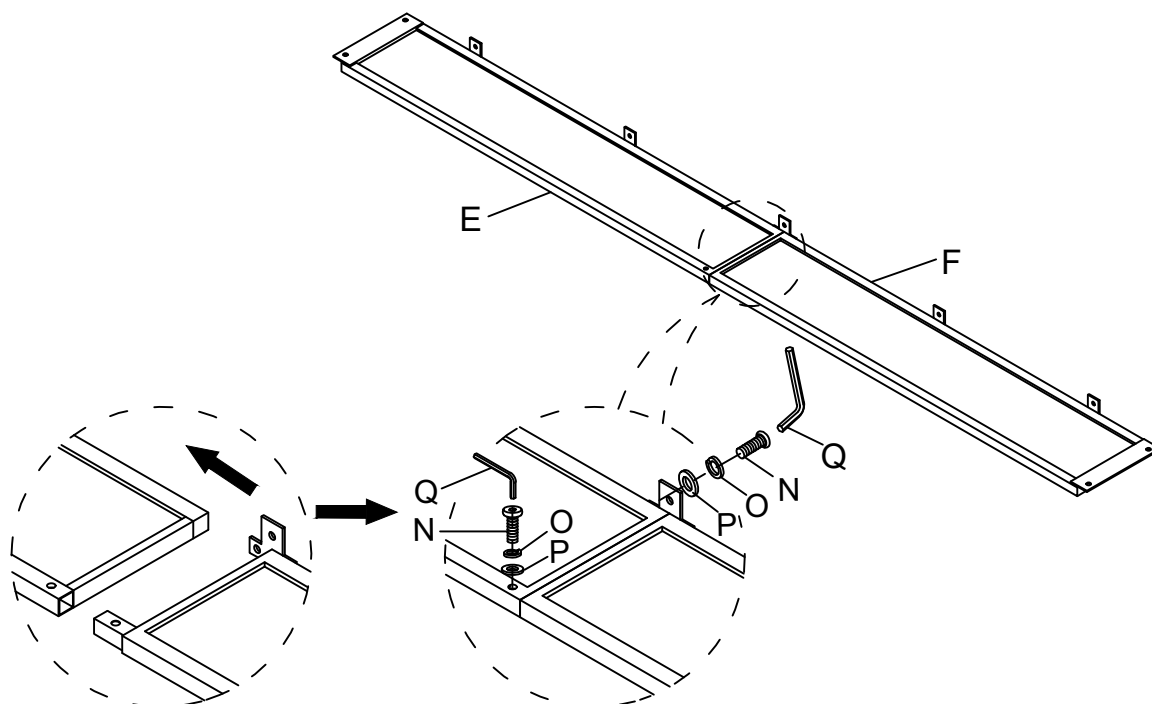
<b>A</b> Headboard Left Leg  1pc	<b>B</b> Headboard  1pc	<b>C</b> Headboard Right Leg  1pc	<b>D</b> Headboard K/D Leg  2pcs
<b>E</b> Left Side Panel - Front  1pc	<b>F</b> Left Side Panel - Rear  1pc	<b>G</b> Right Side Panel - Front  1pc	<b>H</b> Right Side Panel - Rear  1pc
<b>I</b> Footboard  1pc	<b>J</b> Footboard K/D Leg  2pcs	<b>K</b> Slat  5pcs	<b>L</b> Support Leg  10pcs
<b>M</b> Bolt $\text{Ø}1/4 \times 1-1/2$ "  10pcs	<b>N</b> Bolt $\text{Ø}1/4 \times 5/8$ "  32pcs	<b>O</b> Lock Washer $\text{Ø}10.5 \times \text{Ø}7 \times 1.5\text{mm}$  32pcs	<b>P</b> Flat Washer $\text{Ø}16 \times \text{Ø}7 \times 1.5\text{mm}$  32pcs
<b>Q</b> Allen Key M4			
			
1pc			



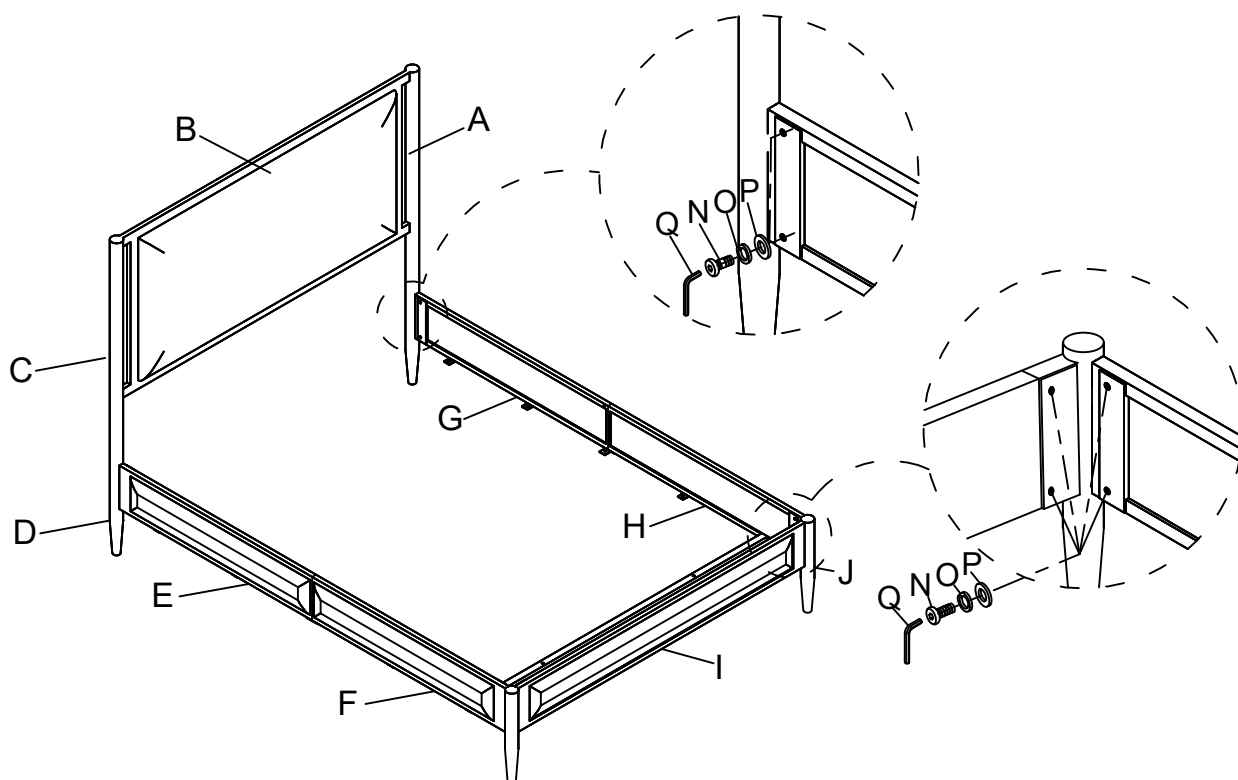
This page lists all the contents included in the box. Please take the time to identify the hardware as well as the individual components to this products. As you unpack and prepare for assembly, place the contents on a carpeted or padded area to protect them from damage.



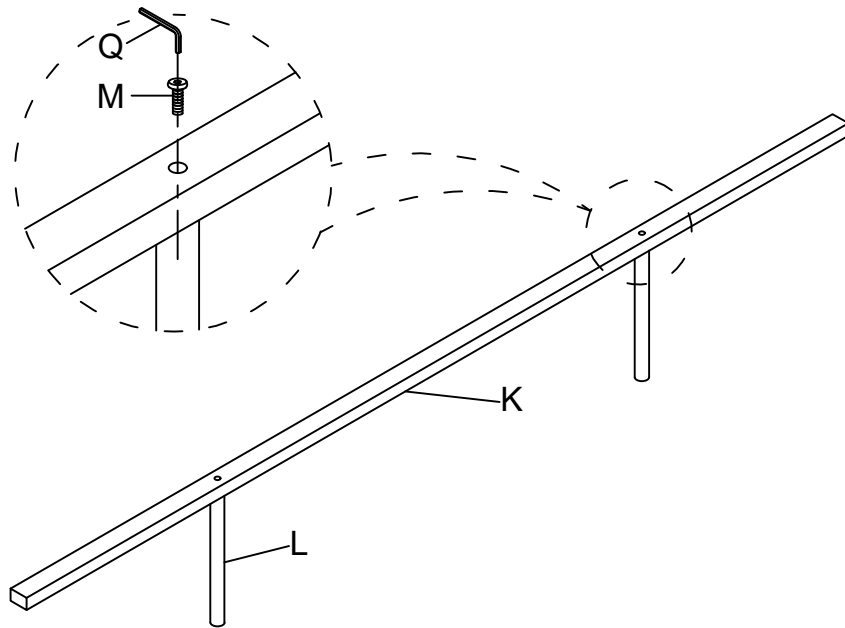
- 3** Attach Left Side Panel - Front (E) to Left Side Panel - Rear (F) using Bolt (N), Lock Washer (O), Flat Washer (P) by Allen Key (Q).



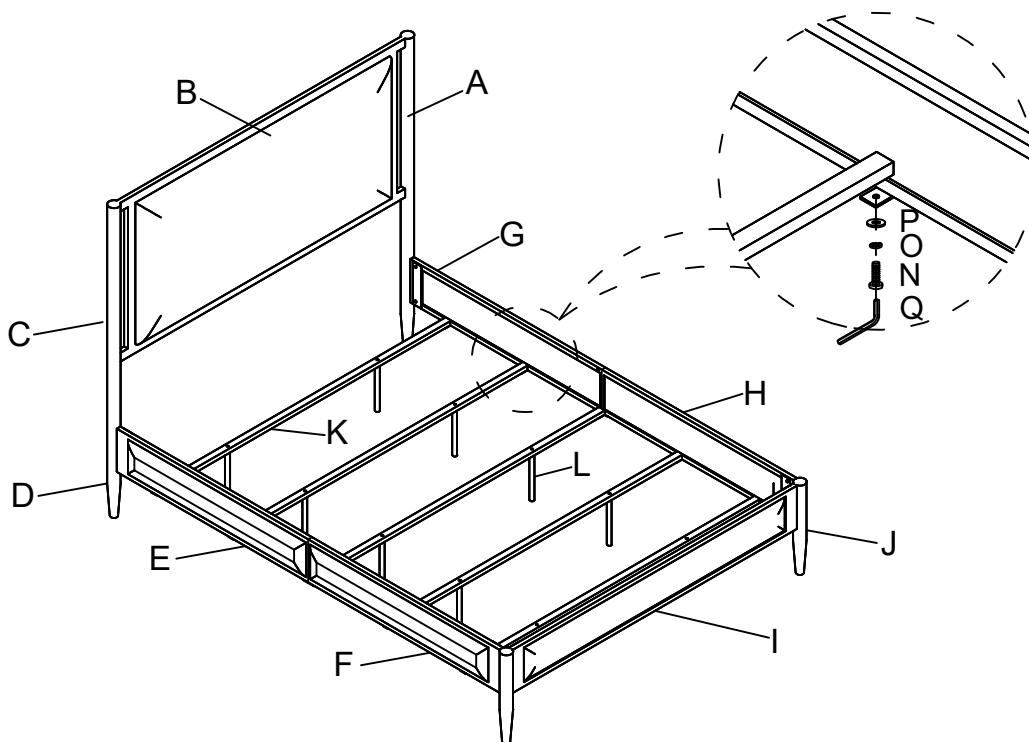
- 4** Attach Footboard K/D Leg (J) to Footboard (I) using Bolt (N), Lock Washer (O), Flat Washer (P) by Allen Key (Q). Connect Side Panel (H&F) and Footboard K/D Leg (J) using Bolt (N), Lock Washer (O), Flat Washer (P) by Allen Key (Q). Then attach Headboard K/D Leg (D) to Side Panel (G&E) using Bolt (N), Lock Washer (O), Flat Washer (P) by Allen Key (Q).



**5** Attach Support Leg (L) to Slat (K) using Bolt (M) by Allen Key (Q).



**6** Attach Slat (K) to Side Panel (E), (G), (F), (H) using Bolt (N), Lock Washer (O), Flat Washer (P) by Allen Key (Q).



### Cleaning & Care

Treat surface with care. Surface is resistant to scratches but is not scratch resistant. Clean surfaces with a dry or damp soft cloth. Do not use abrasive cleaners. Hardware may loosen over time. Periodically check that all connections are tight.