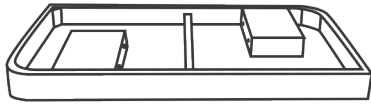
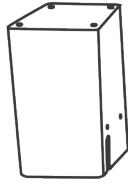


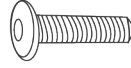
PARTS



A x 1



B x 2



C x 8



D x 8

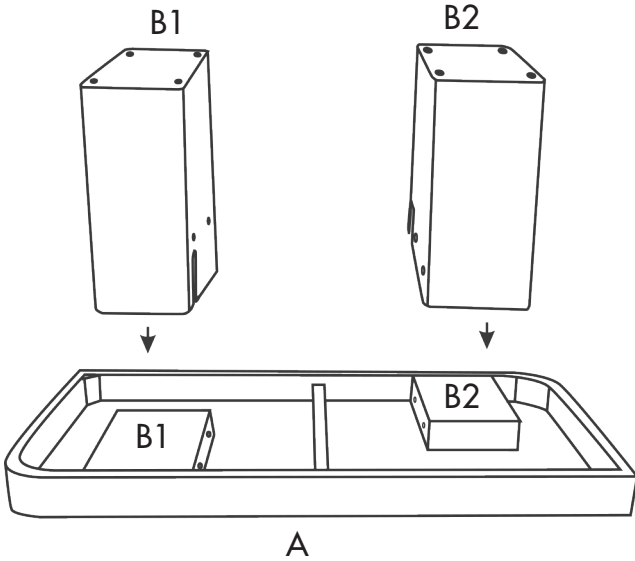


E x 8



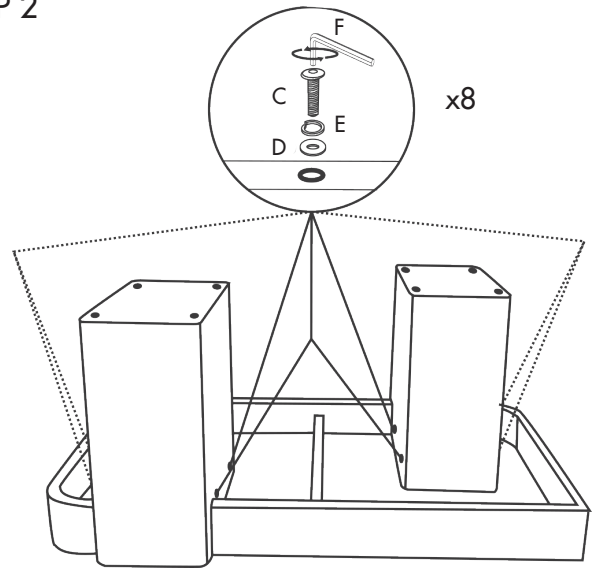
F x 1

STEP 1



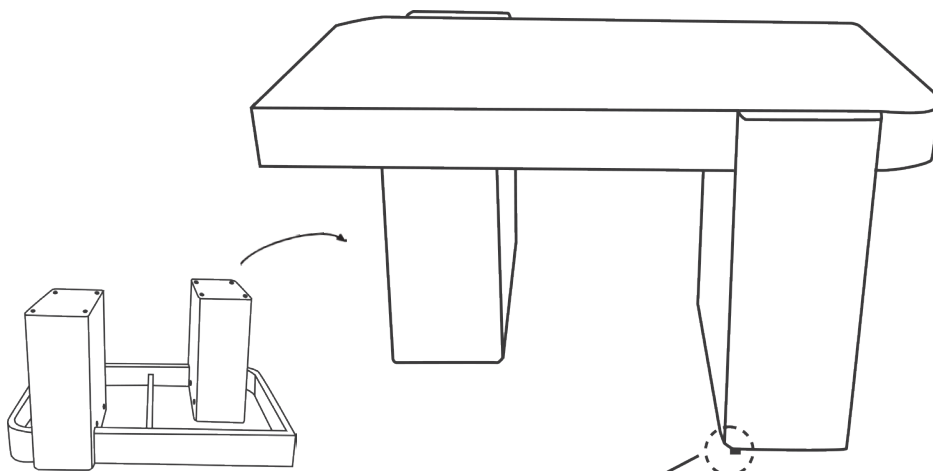
ENSURE TO MATCH LABEL B1-B1 & B2-B2

STEP 2



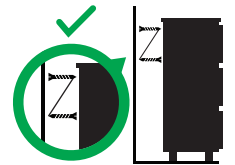
SECURE CONNECTION WITH THE SEQUENCE AS SHOWN ABOVE. DO NOT FULLY TIGHTEN UNTIL ALL HARDWARE HAS BEEN ENGAGED

FINAL



NOTE: LEVELERS CAN BE USED FOR ADJUSTMENT IF NEEDED

WARNING



Children have died from furniture tipover.

- ALWAYS secure it with an anchor device
- NEVER allow children to stand, climb or hang on drawers, doors or shelves.
- NEVER open more than one drawer at a time.
- Place heavy items down low.

NEVER put a TV on this furniture



This furniture type is at high risk of toppling over.

Ask staff for more information or visit <https://www.productsafety.gov.au>