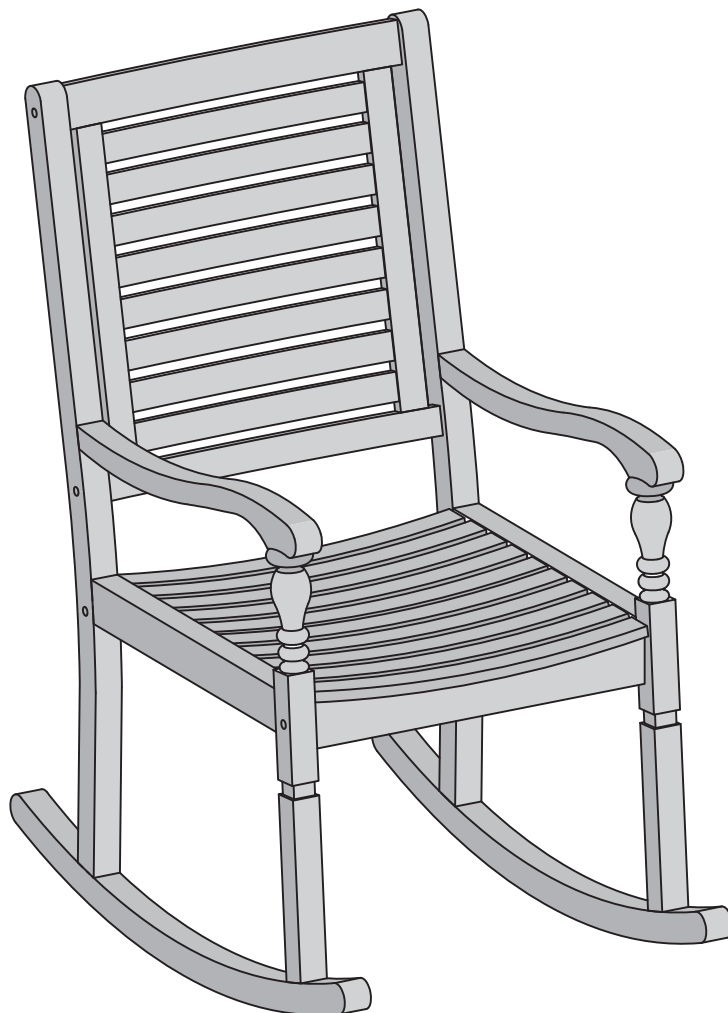




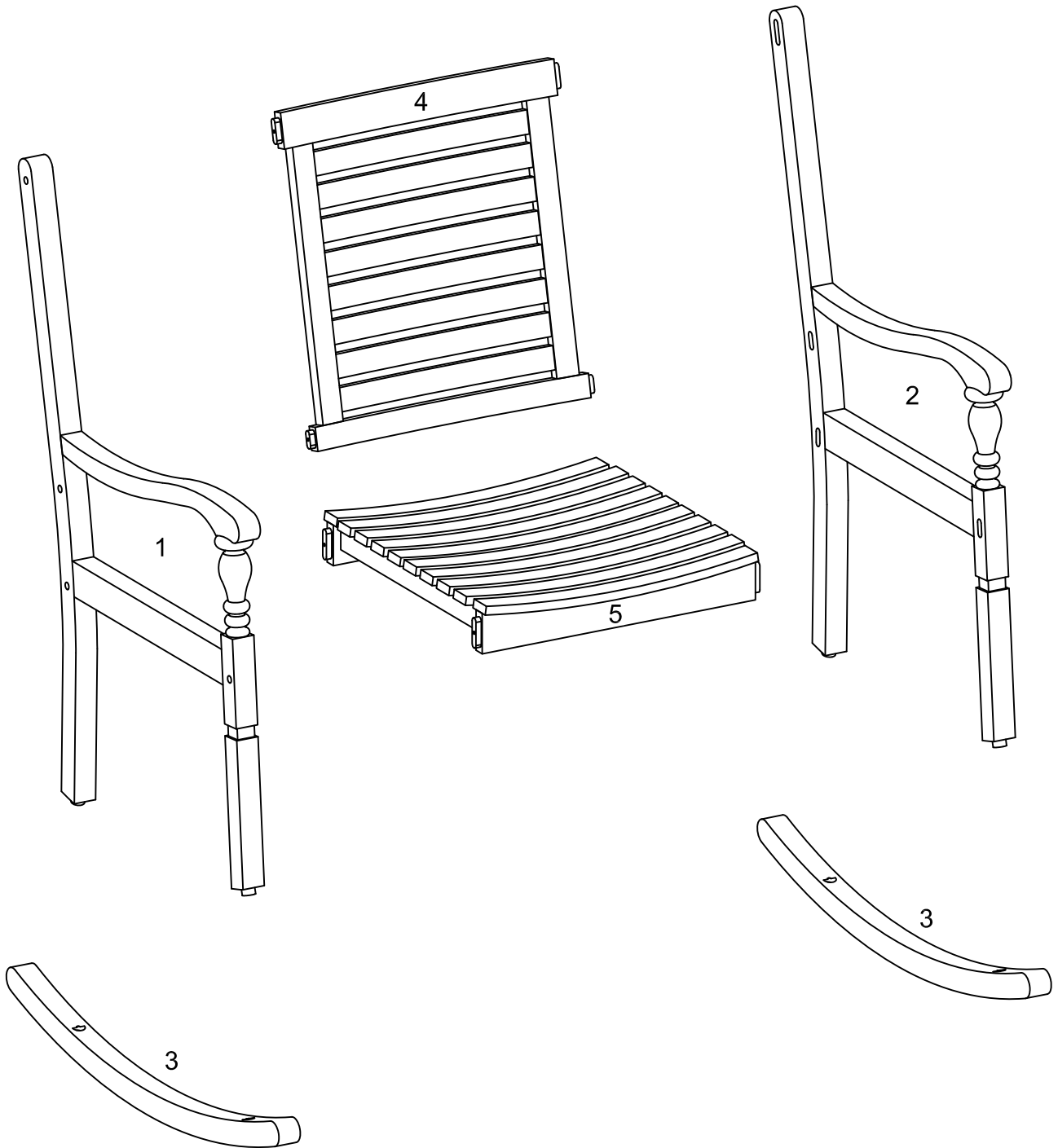
Item # : OWRC  
Assembly Instructions




*Please visit our website for the most current instructions, assembly tips, report damage, or request parts. [www.walkeredison.com](http://www.walkeredison.com)*

Revised 03/2017

# Parts List

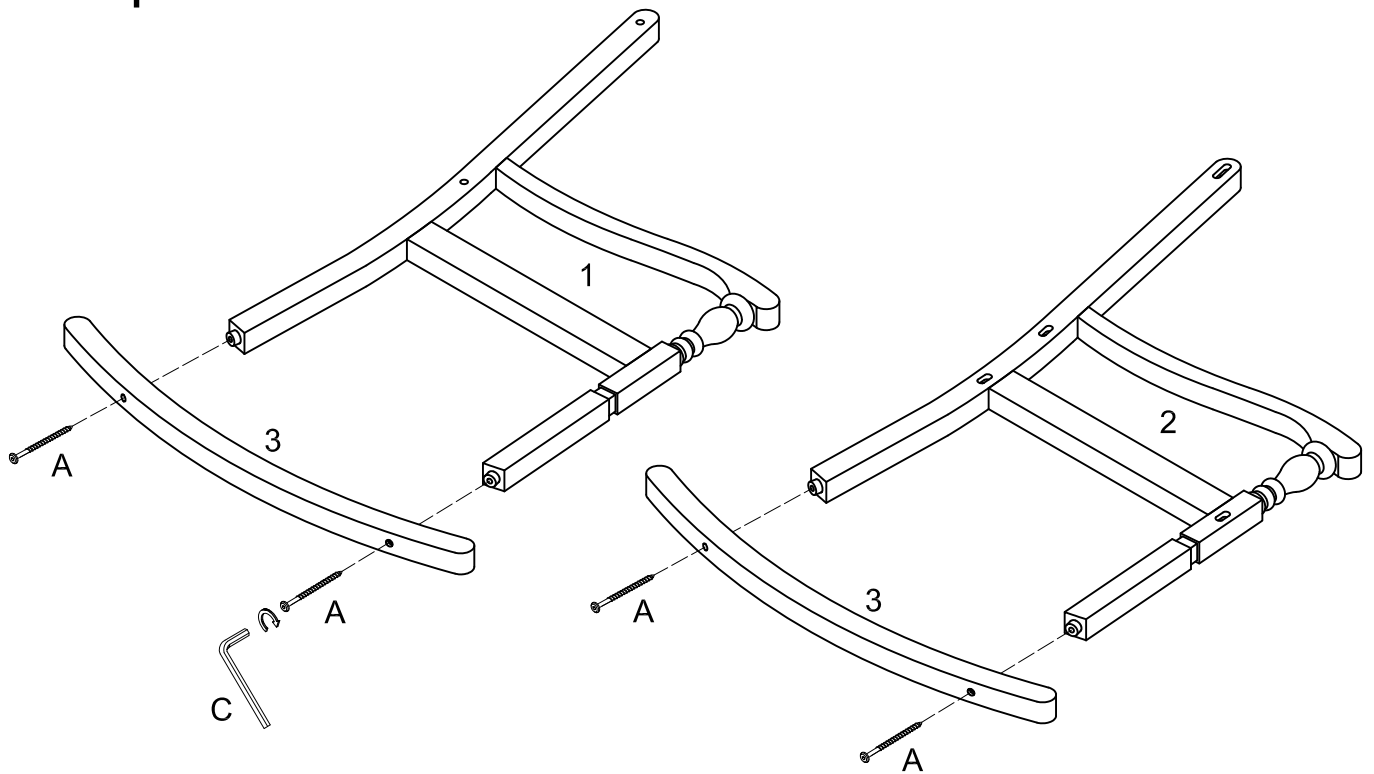


# Hardware List

A		M7*90mm	Screw	8 pcs
B		M7*70mm	Screw	4 pcs
C		M4*55mm	Wrench	2 pcs

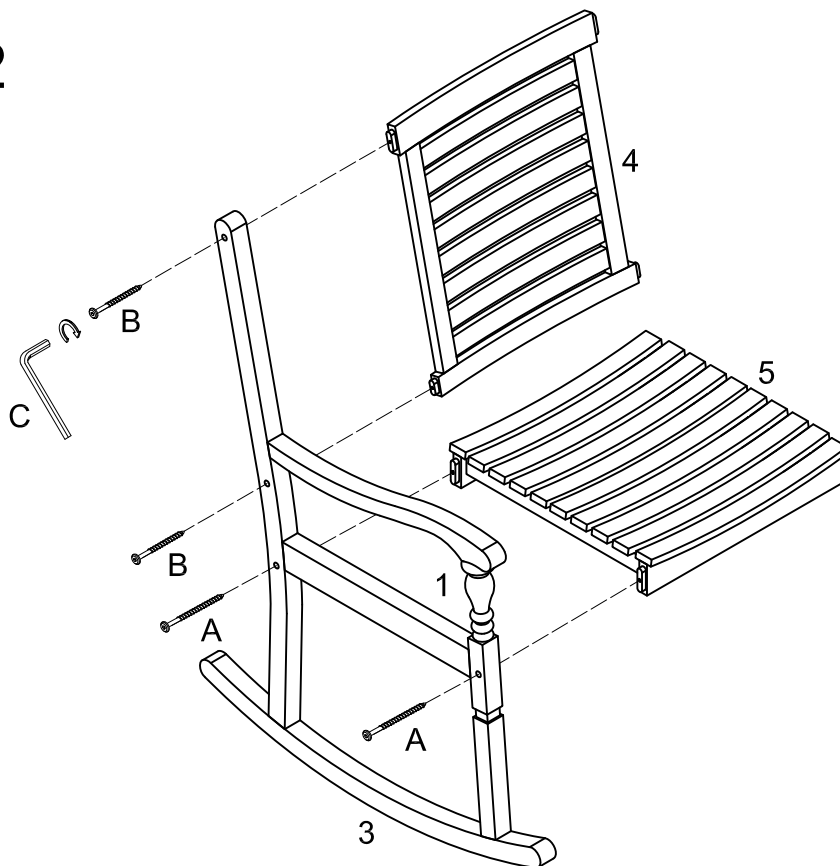
*The hardware quantities listed above are required for proper assembly.  
Some extra hardware may also have been included.*

# Step 1



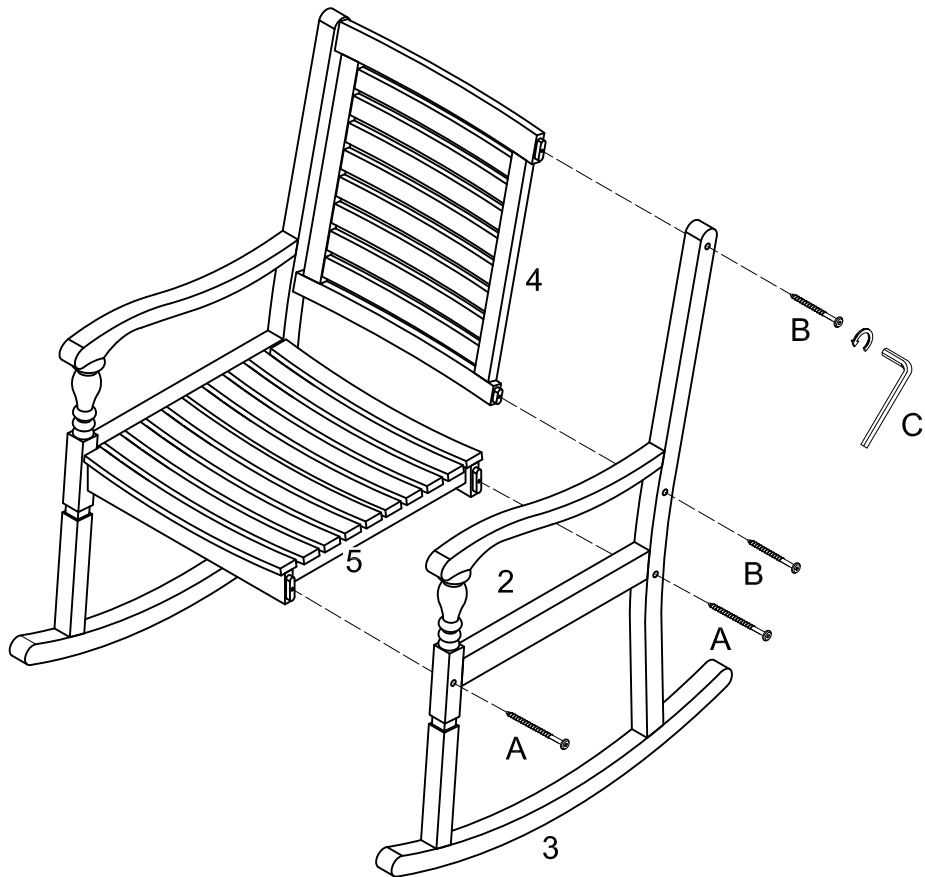
Attach the left leg (1) and right leg (2) to the rocking rail (3) using screws (A) and wrench (C).

# Step 2



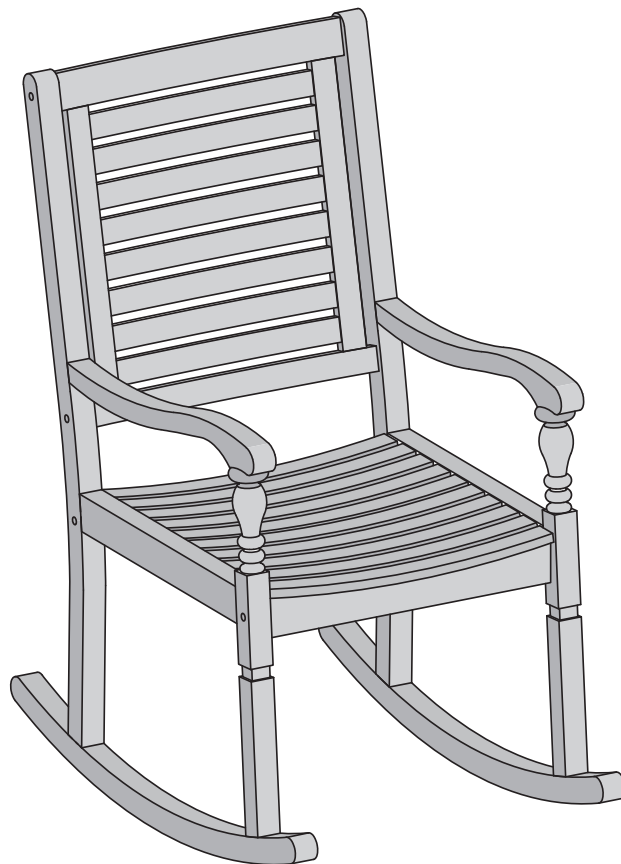
Attach the back (4) and seat (5) to the left frame (1 & 3) using screws (A & B) and wrench (C).

## Step 3



Attach the right frame (2 & 3) to the back (4) and seat (5) using screws (A & B) and wrench (C).

## Step 4



## Final Assembly