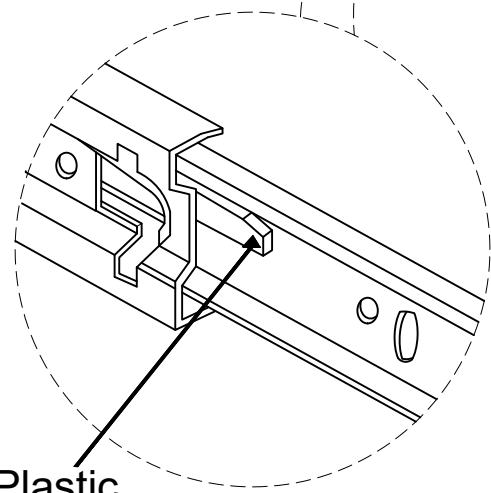
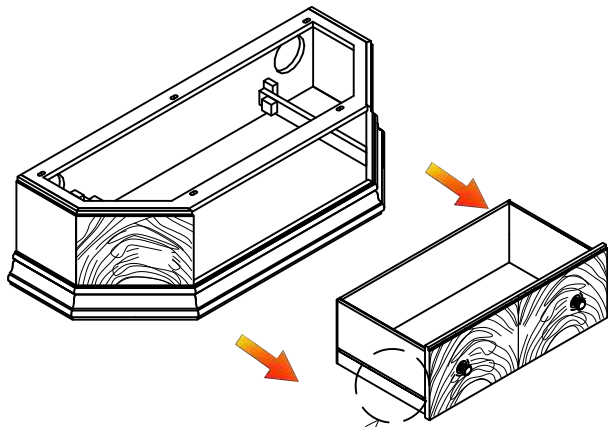


Thank you for purchasing this quality product from A.R.T. Furniture. Be sure to check all packing material for parts which may have come loose inside the carton during shipment. Identify and count all parts and compare with the parts list below.

Note: Some furniture is heavy, it is recommended that two people assembly this item to avoid injury or damage.

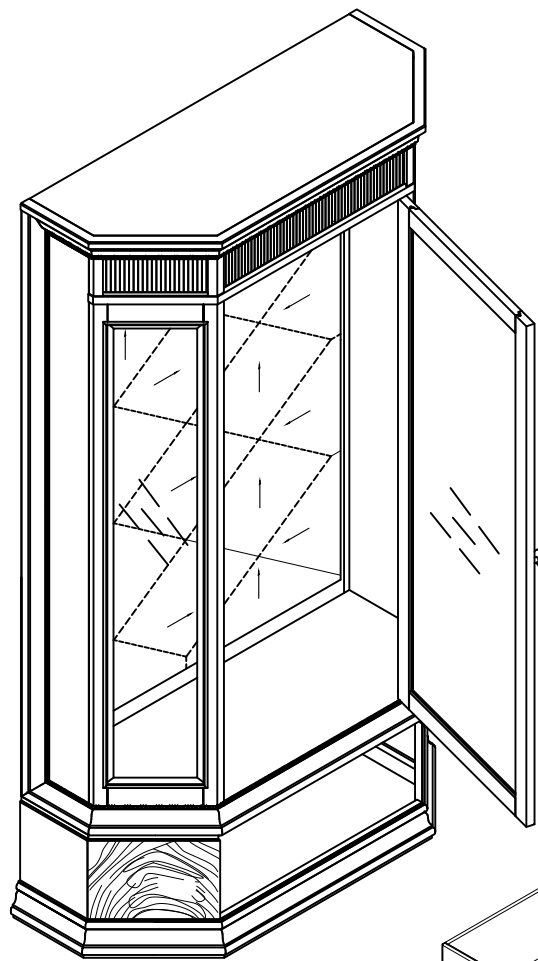
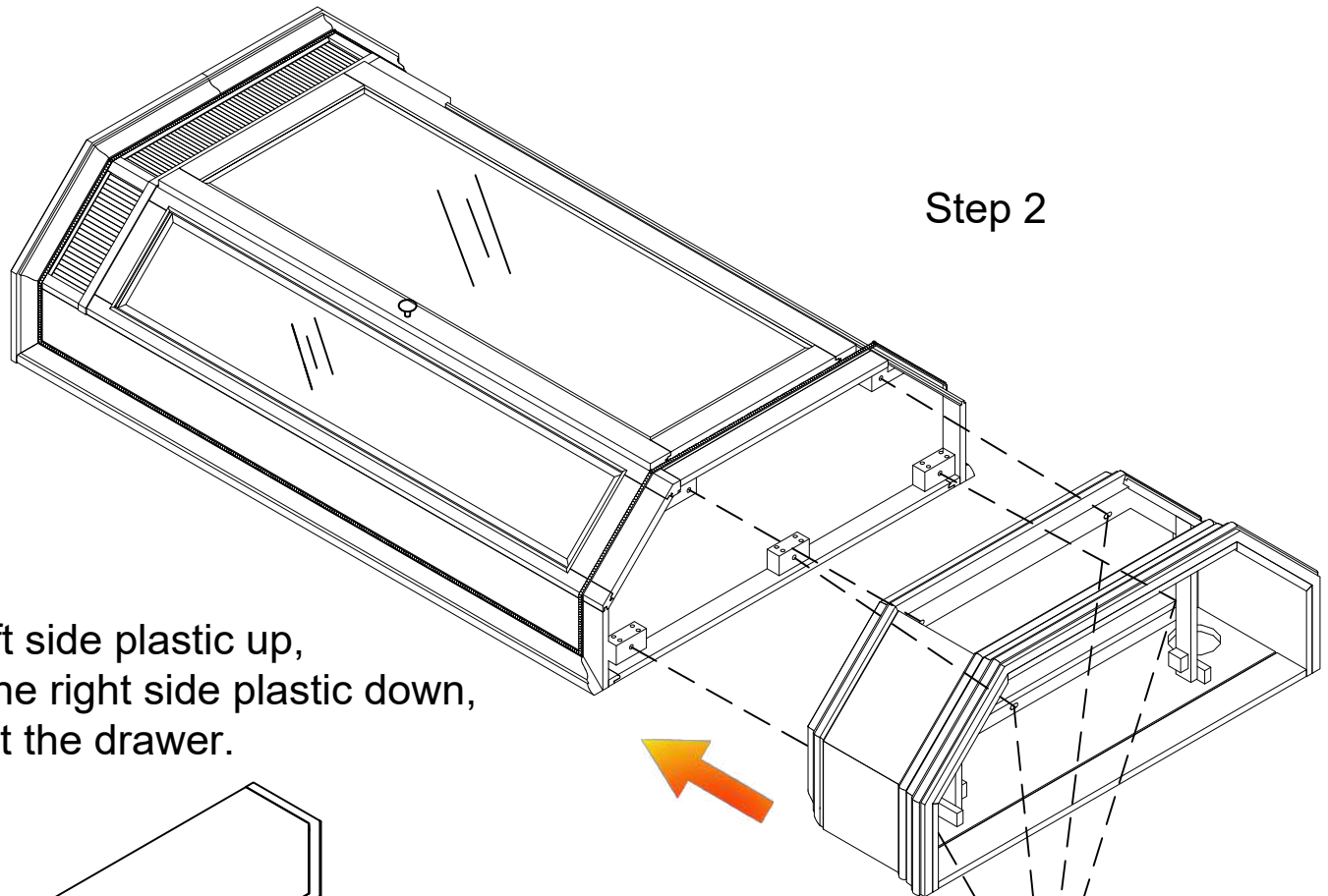
Step 1



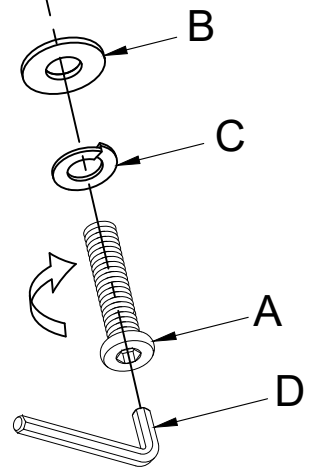
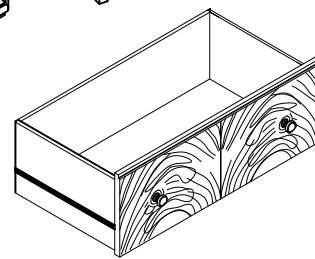
Plastic

Press the left side plastic up, and press the right side plastic down, then pull out the drawer.


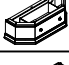


Step 2



Step 3



PARTS LIST:

No.	Description	Sketch	Q'ty
1	Display Cabinet Top		1
2	Botom frame		1
3	Glass Shelves		3
4	Anti-Tip Restraint Kit		1

HARDWARE LIST:

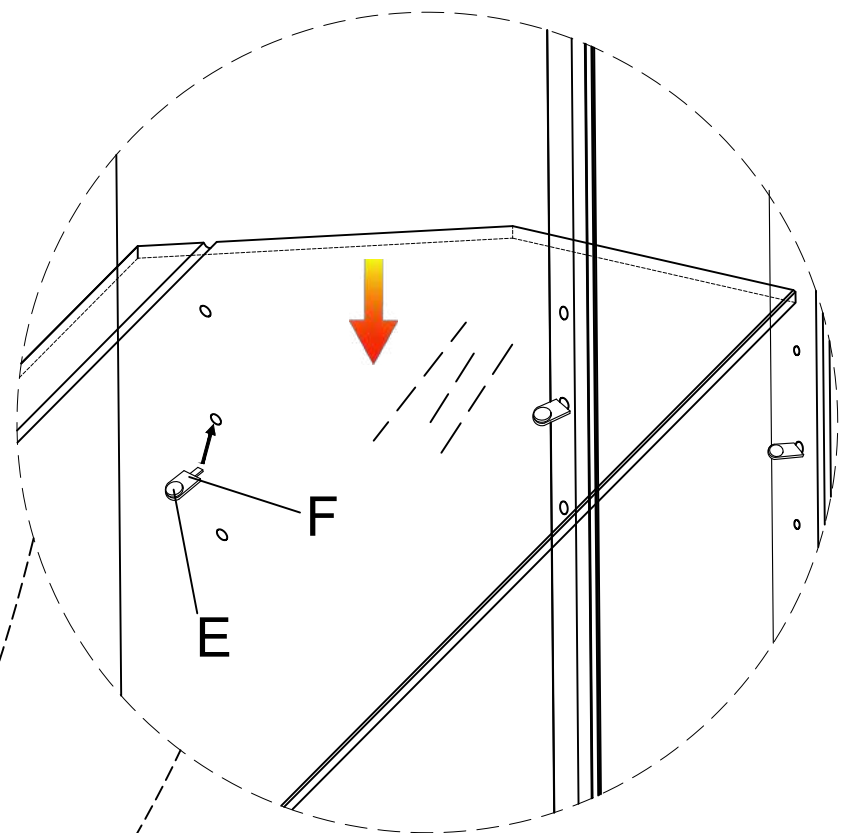
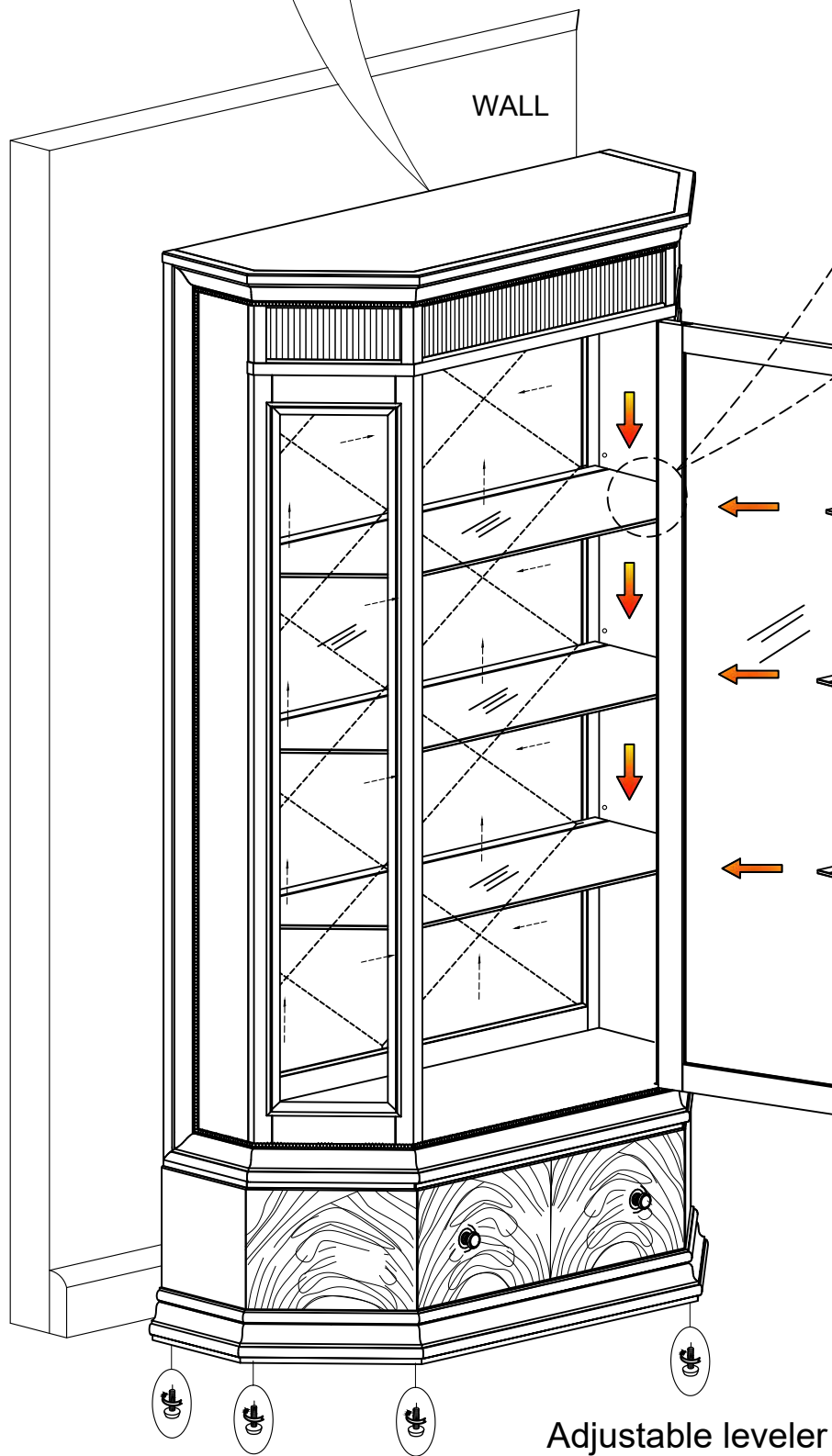
No.	Drawing	Description	Q'ty
A		$\frac{5}{16}$ " x1- $\frac{1}{2}$ " Bolt	5
B		$\frac{5}{16}$ " xØ19x2 Flat washer	5
C		$\frac{5}{16}$ " xØ12x3 Lock washer	5
D		5mm Allen key	1
E		Glass Bumpers	12
F		Shelf Support	12

Thank you for purchasing this quality product from A.R.T. Furniture. Be sure to check all packing material for parts which may have come loose inside the carton during shipment. Identify and count all parts and compare with the parts list below.

Note: Some furniture is heavy, it is recommended that two people assembly this item to avoid injury or damage.



Step 5



Step 4