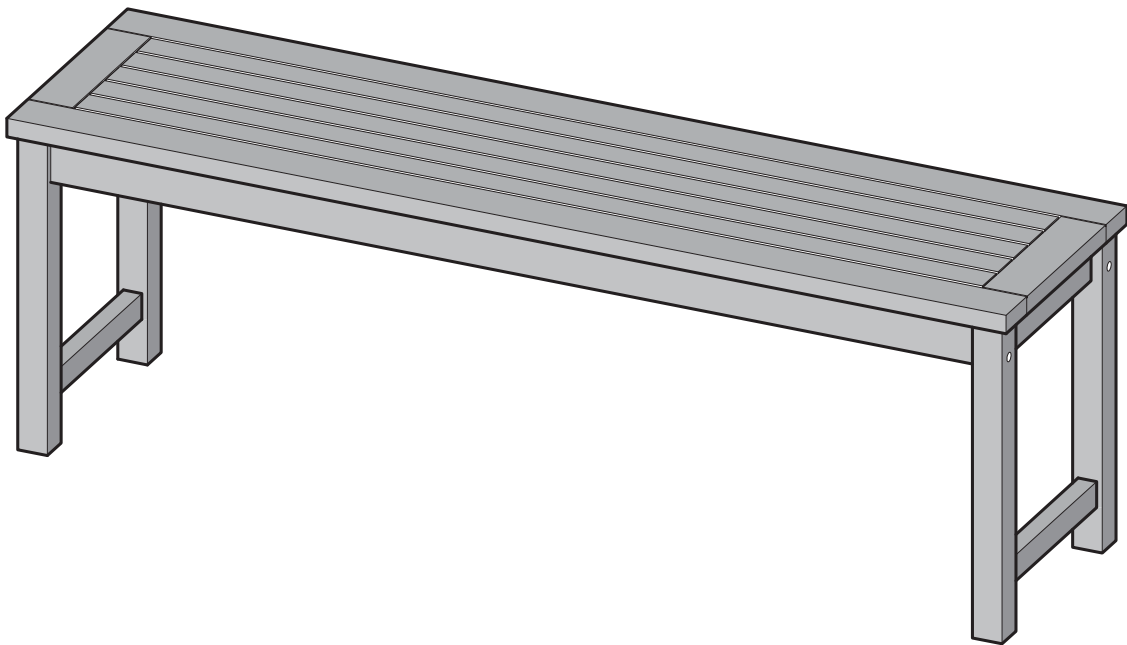




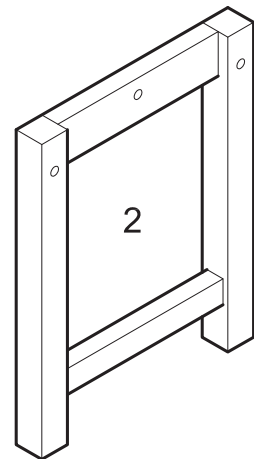
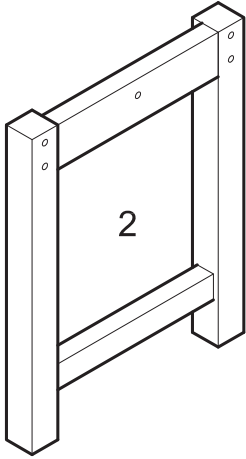
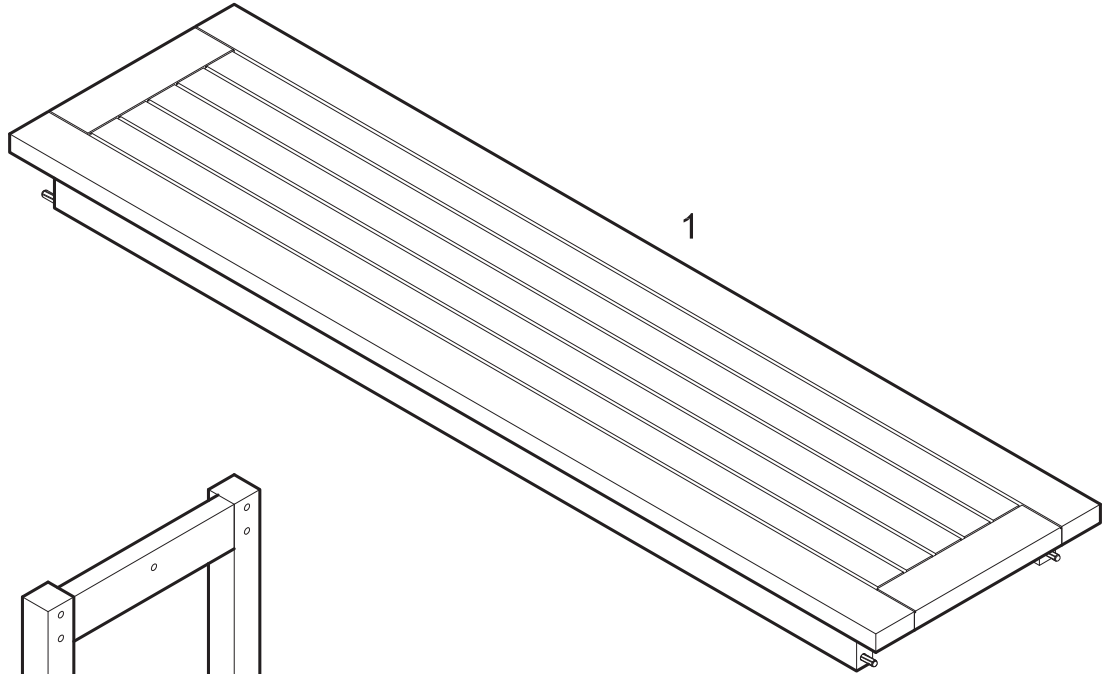
Item # : OWB7SBR  
Assembly Instructions







*Please visit our website for the most current instructions, assembly tips, report damage, or request parts. [www.walkeredison.com](http://www.walkeredison.com)*

Revised 03/2017

# Parts List

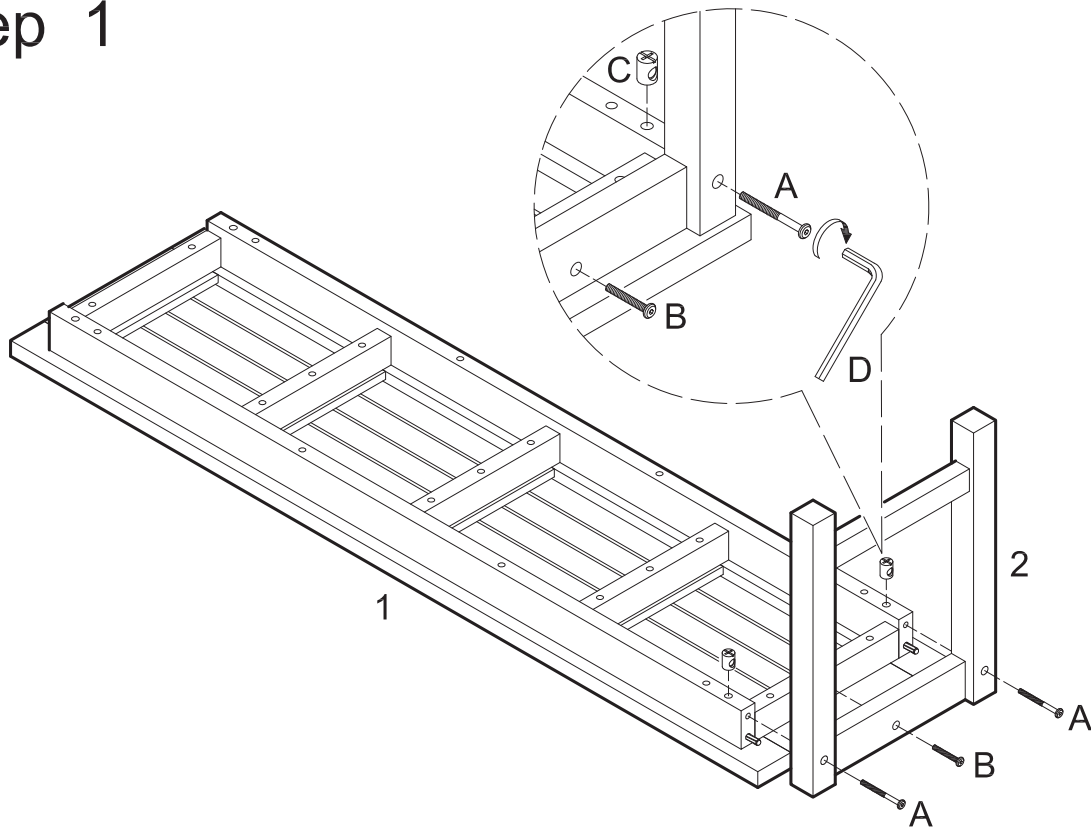


# Hardware List

A		Ø8*82(mm)	Bolt	4 pcs
B		Ø8*52(mm)	Bolt	2 pcs
C		Ø11*15(mm)	Nut	4 pcs
D		M5(mm)	Wrench	1 pc

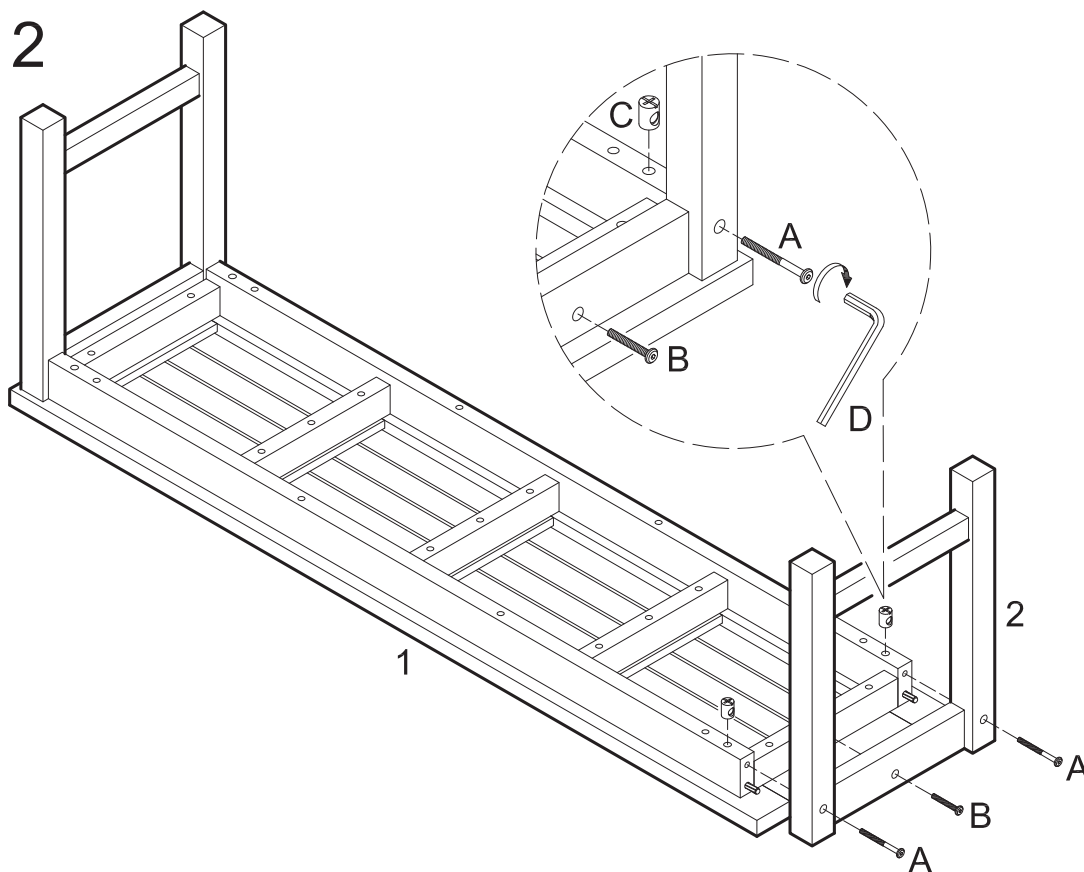
*The hardware quantities listed above are required for proper assembly.  
Some extra hardware may also have been included.*

# Step 1



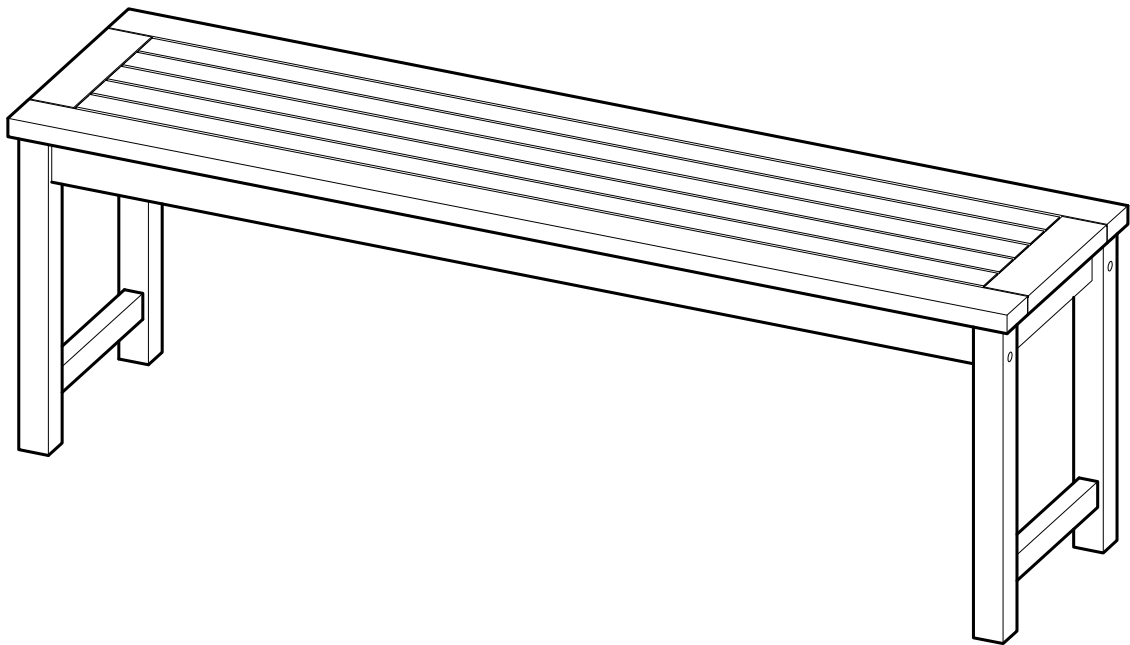
Insert barrel nuts (C) into bench seat (1). Attach leg set (2) to bench seat (1) using bolts (A,B). Bolts (A) will screw directly into barrel nuts (C). Tighten all bolts with wrench (D).

# Step 2



Insert barrel nuts (C) into bench seat (1). Attach leg set (2) to bench seat (1) using bolts (A,B). Bolts (A) will screw directly into barrel nuts (C). Tighten all bolts with wrench (D).

# Step 3



## Final Assembly