

CODE NUMBER

3773236

DESCRIPTION

0.5 gpf, Rough Brass Finish, Fixture Connection Rear Spud, Single Flush, 2-10.75 L Dimension, Electrical Override, Hardwired, Sensor-Operated, 24V, With Wall Box, Sloan® Concealed Sensor Hardwired Urinal Flushometer.

DETAILS

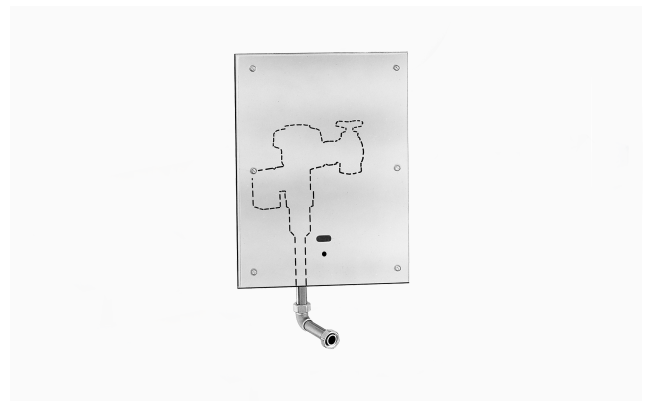
- Flush Volume: 0.5 gpf (1.9 Lpf)
- Finish: Rough Brass
- Power Type: Hardwired
- Valve: Diaphragm
- Valve Body Material: Semi-red Brass
- Fixture Type: Urinal
- Fixture Connection: Rear Spud
- Rough-In Dimension: 13 ½" (343mm)
- Spud Coupling: ¾" (19mm)
- Supply Pipe: ¾" (19mm)
- L Dimension: 2" - 10 ¾" (51 - 273mm)
- Override: Electrical
- Wall Box: With (W/BOX)
- Voltage: 24V

FEATURES

- Quiet, Concealed, Diaphragm Type, Rough Brass Urinal
- No External Volume Adjustment to Ensure Water Conservation
 - OPTIMA® EL-1500 Self-Adaptive Infrared Sensor with Indicator Light
 - Spud Coupling for ¾" Concealed Back Spud
 - Vacuum Breaker with Flush Connection
 - 13" x 17" EASY ACCESS® Wall Box with Stainless Steel Access Panel and Vandal Resistant Screws
 - High Chloramine Resistant PERMEX® Synthetic Rubber Diaphragm with Linear Filtered Bypass and Vortex Cleansing Action™
 - ¾" I.P.S. Wheel Handle Bak-Chek® Angle Stop
 - Diaphragm, Stop Seat and Vacuum Breaker to be molded from PERMEX® rubber compound for Chloramine resistance

VIDEOS

- ▶ [ESS Flushometer](#)



COMPLIANCES & CERTIFICATIONS



(ADA Compliant, BAA Compliant, BABAA Compliant, BREEAM Water Credit, cUPC Green Certified, cUPC Certified, UL Certified, UPC Certified, Green Globes Water Credit, LEED V4 Water Efficiency Credit, WaterSense Listed, Satisfies LEED Credits)

RECOMMENDED SPECIFICATION

Valve Body, Cover, Tailpiece and Control Stop shall be in conformance with ASTM Alloy Classification for Semi- Red Brass. Valve shall be in compliance with the applicable sections of ASSE 1037 and ANSI/ASME 112.19.2.

ELECTRICAL SPECIFICATIONS

- Arming Delay: 8 seconds
- Control Circuit: 24 VAC Input/24 VAC Output/Solid State
- Flush Delay: 1s
- Self-Adaptive Window: ±8
- Sensor Range: 15" - 30" (381 - 762mm)
- Solenoid Operator: 24 VAC
- Transformers (specify separately):
 - 0345154
 - 0345999

VALVE OPERATING PRESSURE (FLOWING)

15-80 PSI (103-552 kPa). Specific fixtures may require greater minimum flowing pressure - consult manufacturer requirements.

DOWNLOADS

- [Sloan Concealed Installation Instructions](#)
- [Sloan 152/195 ESS TMO Installation Instructions](#)
- [Sloan 152/140/153/195 ESS TMO SWB Installation Instructions](#)
- [Sloan/Regal ESS Repair and Maintenance Guide](#)

Sloan 10500 Seymour Ave, Franklin Park, IL 60131

Phone: 800.982.5839 • Fax: 800.447.8329 • sloan.com

- [Optima ESS Repair and Maintenance Guide](#)
- [Flush Connections Flanges Repair and Maintenance Guide](#)
- [Tail Piece Repair and Maintenance Guide](#)
- [Control Stop Repair and Maintenance Guide](#)
- [Optima ESS TMO Exposed Repair and Maintenance Guide](#)
- [Additional Downloads](#)

NOTES

All information contained within this document subject to change without notice.

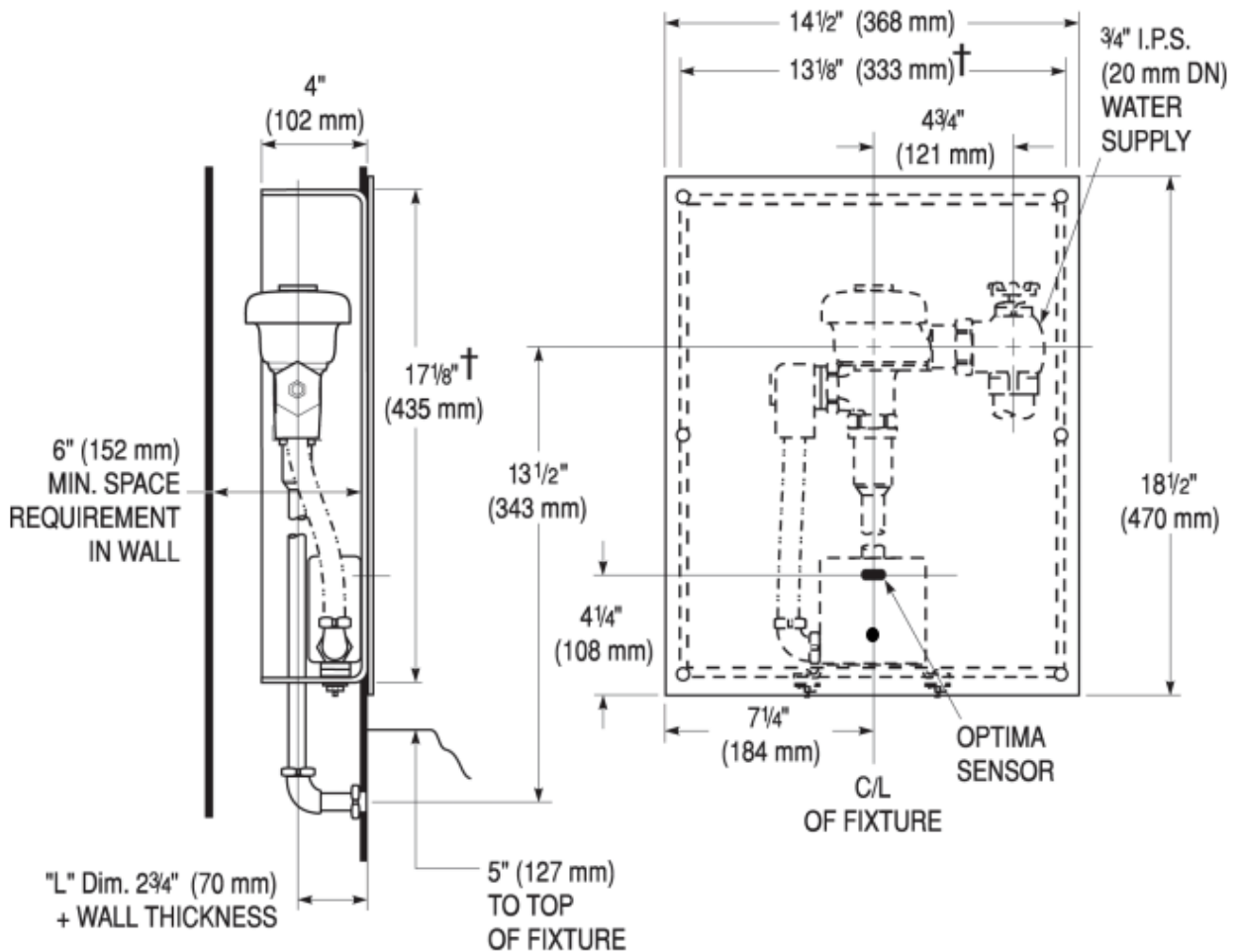
Looking for other variations of the SLOAN 195 ESS product? [View the general spec sheet with all options.](#)

WaterSense compliant when used with a WaterSense compliant fixture

WARRANTY

[View Warranty Information](#)

ROUGH-IN



Sloan 10500 Seymour Ave, Franklin Park, IL 60131

Phone: 800.982.5839 • Fax: 800.447.8329 • sloan.com