

Features

- Two Lever handles offer separate control of hot and cold water
- 5-7/8" (149 mm) spout reach
- 1.2 gpm (4.5 lpm) maximum flow rate at 60 psi (4.14 bar)
- Includes metal pop-up drain with 1-1/4" (32 mm) tailpiece
- KOHLER® ceramic disc valves exceed industry longevity standards for a lifetime of durable performance
- Coordinates with Devonshire faucets, accessories, and showering components to complete your bathroom

Material

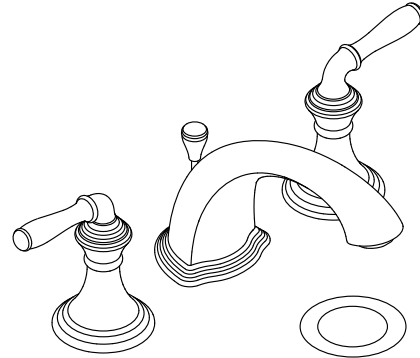
- Premium metal construction for durability and reliability
- KOHLER finishes resist corrosion and tarnishing

Installation

- Handles are preassembled on valves to simplify installation
- Quick-connect fittings make installation easy
- For 8" – 16" (203 – 406 mm) centers
- Widespread

Recommended Products/Accessories

K-23726 Drain treatment



ADA **CSA B651** **OBC**

Codes/Standards




ASME A112.18.1/CSA B125.1
NSF/ANSI/CAN 61
NSF/ANSI/CAN 372
DOE - Energy Policy Act 1992
EPA WaterSense®
California Energy Commission (CEC)
ADA
ICC/ANSI A117.1
CSA B651
OBC

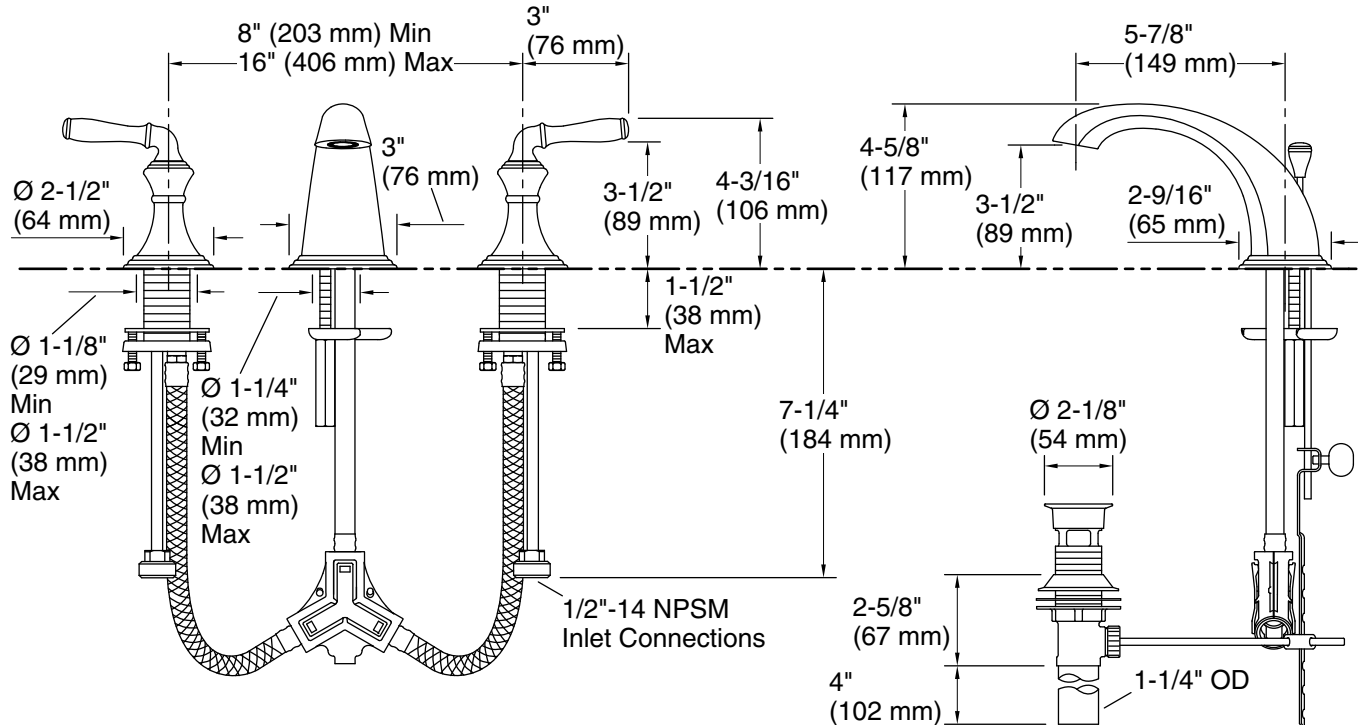
KOHLER® Faucet Lifetime Limited Warranty

See website for detailed warranty information.

Available Colors/Finishes

Color tiles intended for reference only.

Color	Code	Description
	CP	Polished Chrome
	PB	Vibrant® Polished Brass
	BN	Vibrant® Brushed Nickel



Technical Information

All product dimensions are nominal.

Faucet flow rate: 1.2 gal/min (4.5 l/min)

Drain included: Yes

Drain tailpiece included: Yes

Spout:

Spout reach: 5-7/8" (149 mm)

Notes

Install this product according to the installation guide.

ADA compliant for handles only.

ADA, OBC, CSA B651 compliant when installed to the specific requirements of these regulations.