

Features

- 0.5 gpm (1.9 lpm) maximum flow rate
- This is trim set only. It requires valve kit to complete the faucet
- Vandal-resistant aerator
- 8-1/4" (210 mm) spout reach
- Less drain
- On-demand on and off control. Valve kit is factory-set to 30-second maximum continual run cycle
- Complies with the Safe Drinking Water Act (SDWA)

Material

- Brass

Technology

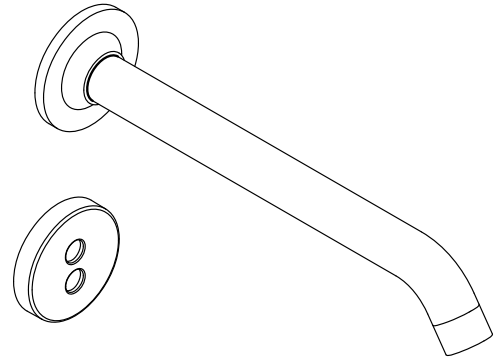
- Valve kit has electronic Insight™ sensor technology for accurate and consistent activation
- This trim set can be used with 11830-NA (Hybrid-DC power) wall mount valve or 11843-NA (AC Power) wall mount valve

Installation

- Single-hole spout mounting. Please consider appropriate distance between spout and sensor
- Below the counter valve for easy installation and maintenance

Recommended Products/Accessories

K-23726 Drain treatment



ADA

CSA B651

OBC

Codes/Standards



ASME A112.18.1/CSA B125.1
NSF/ANSI/CAN 372
DOE - Energy Policy Act 1992
California Energy Commission (CEC)
ADA
ICC/ANSI A117.1
CSA B651
OBC

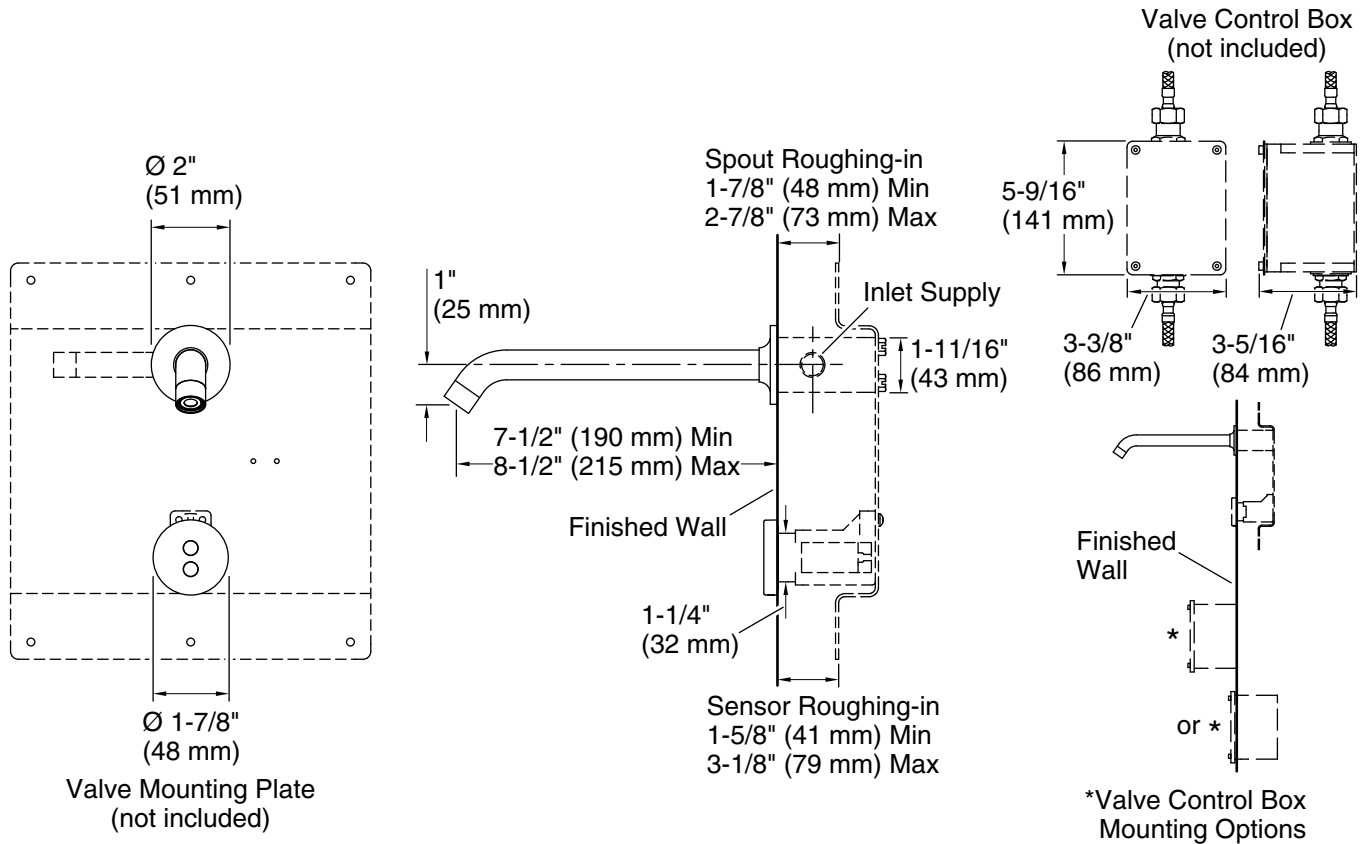
KOHLER® One-Year Limited Warranty

See website for detailed warranty information.

Available Colors/Finishes

Color tiles intended for reference only.

Color	Code	Description
	CP	Polished Chrome
	VS	Vibrant® Stainless



Technical Information

All product dimensions are nominal.

Faucet flow rate: 0.5 gal/min (1.9 l/min)

Spout:

Spout reach: $8\text{-}1/16''$ (205 mm)

Notes

Install this product according to the installation guide.

The sensor roughing-in allows for installation to a back splash or thicker finished wall than the spout roughing-in.

ADA, OBC, CSA B651 compliant when installed to the specific requirements of these regulations.