

# BGR-SA-MDK SERIES PRESENTATION RACK

---

Combines furniture elegance with a robust rolling steel enclosure.

## FEATURES

- All BGRs are now equipped with the revolutionary Forward rackrail giving you the ability to use Forward blank panels vent panels, horizontal cable management and vertical cable management
- Provides more rackspace in a smaller overall height than similar racks
- Accepts patented LeverLock™ tool free and hardware free internal device and cable management system accessories
- Fully welded construction provides UL Listed load capacity of 1,100 lbs.
- Rackrail depth indicators
- 1/2", 3/4", 1" & 1-1/2" electrical knockouts and 5/8" and 1/2" D UHF/VHF antennae knockouts on rear top & bottom, easily removable for cable pass-through
- Curved plexiglass front door and keylocked vented rear door standard with brush grommet cable entry
- Durable black textured powder coat finish
- UL Listed in the US and Canada



# BGR-SA-MDK SERIES PRESENTATION RACK

## SPECIFICATIONS

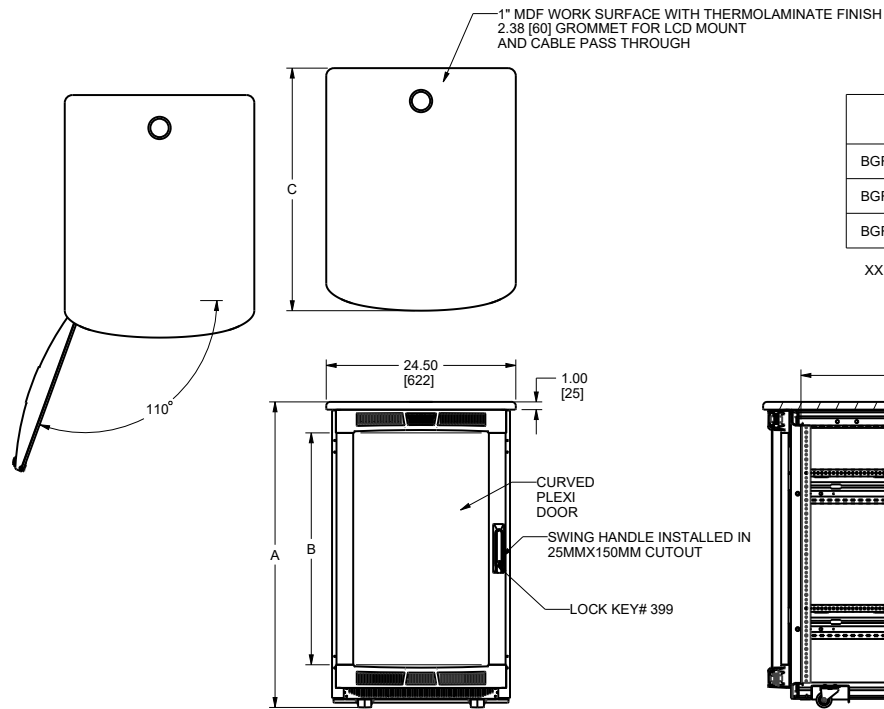
EIA compliant 19" presentation equipment rack shall be Middle Atlantic Products model#BGR-\_\_SA\_\_MDK-\_\_. Overall dimensions of BGR shall be \_\_"H x 23"W x \_\_"D (refer to chart). Useable height of BGR shall be \_\_ rackspaces, useable depth shall be\_\_" (refer to chart). BGR shall come equipped with two pairs of fully adjustable steel rackrail with two 10-32 threaded holes per side of each marked rackspace, and a cage-nut style mount that is compatible with tool-free Forward Series rack-mount accessories. BGR rackrail shall include cable management lacing provisions and accept tool-free Forward Series cable management accessories. BGR shall have .100" thick steel along rackrail brackets, .310" thick steel at corners. BGR shall include a locking and latching curved plexiglass front door. BGR shall include vented locking and latching rear door with brush grommet cable entry, and shall be capable of accepting up to six 4-1/2" low voltage fans. Top and bottom of BGR shall feature vertical slotted vent pattern for ventilation. BGR shall have two 1" x 7" rear obround knockouts with 1/2", 1", 1-1/4" and 1-1/2" electrical knockouts and 5/8" and 1/2" D UHF/VHF antennae knockouts in base and top. BGR shall include leveling feet. BGR shall have a 1" thick thermolaminate top with \_\_ finish (refer to chart). BGR shall include casters. BGR shall accept patented LeverLock™ tool free and hardware free internal cable and device management system accessories. BGR shall have marked rackrail depth indicators. BGR shall be of fully welded construction. BGR shall be finished in an environmentally friendly, durable black powder coat. Grounding and bonding studs shall be 1/4-20 threaded, installed in base of enclosure. Fully welded construction shall provide a UL Listed load capacity of 1,100 lbs. BGR shall be UL Listed in the US and Canada. BGR shall be GREENGUARD Indoor Air Quality Certified for Children and Schools. BGR enclosure shall be RoHS EU Directive 2002 / 95 / EC compliant. BGR shall be manufactured by an ISO 9001 and ISO 14001 registered company. BGR enclosure shall be warrantied to be free from defects in material or workmanship under normal use and conditions for the lifetime of the rack.



PRODUCT CERTIFIED FOR  
LOW CHEMICAL EMISSIONS  
UL.COM/GG  
UL 2818

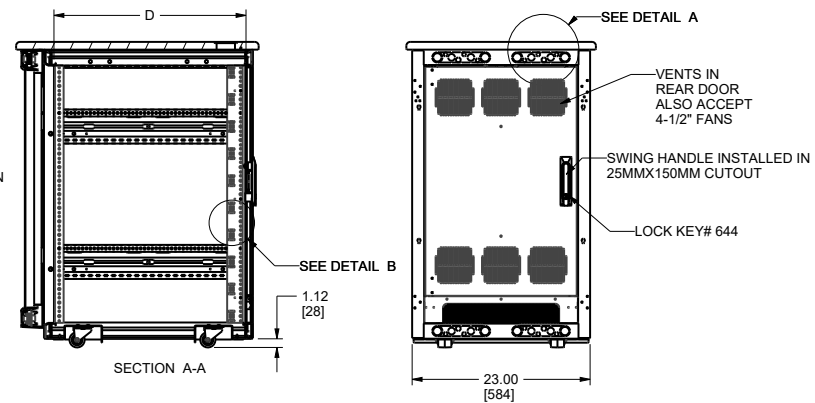
# BGR-SA-MDK SERIES PRESENTATION RACK

## BASIC DIMENSIONS



PART NAME	A RACK HEIGHT	B USEABLE HEIGHT	C WOOD TOP DEPTH	D USEABLE DEPTH
BGR-19SA27MDK-XX	39.5 [1003]	33.25 [845] 19 SPACES	31.35 [796]	24.40 [620]
BGR-25SA27MDK-XX	50.0 [1270]	43.75 [1111] 25 SPACES	31.35 [796]	24.40 [620]
BGR-25SA32MDK-XX	50.0 [1270]	43.75 [1111] 25 SPACES	36.35 [923]	29.40 [747]

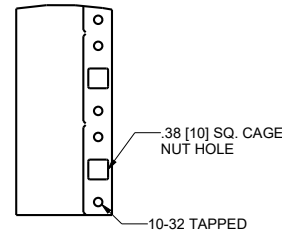
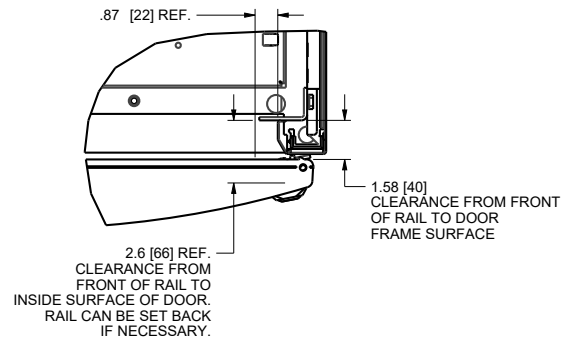
XX INDICATES CHOICE OF COLOR



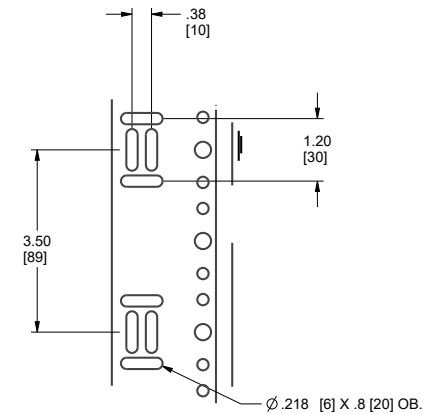
NOTES:  
1) DIMENSIONS ARE SHOWN IN INCHES [MILLIMETERS]  
2) USEABLE DEPTH IS THE MAX. EQUIPMENT DEPTH

# BGR-SA-MDK SERIES PRESENTATION RACK

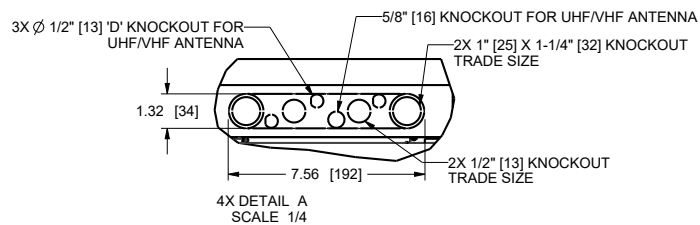
## BASIC DIMENSIONS



SCALE 1/2  
FORWARD COMPATIBLE  
RACKRAIL  
CAGE NUTS ARE INCLUDED FOR  
INSTALLATIONS WHERE CENTER  
HOLE MOUNTING IS REQUIRED



DETAIL B  
SCALE 1/2



LEGRAND | AV COMMERCIAL BRANDS  
C2G | Chief | Da-Lite | Luxul | Middle Atlantic | Vaddio | Wiremod

WHAT GREAT SYSTEMS ARE BUILT ON™ | [legrandav.com](http://legrandav.com)

USA 800.266.7225 [av.middleatlantic.support@legrand.com](mailto:av.middleatlantic.support@legrand.com) CANADA 888.766.9770 [av.middleatlantic.support@legrand.com](mailto:av.middleatlantic.support@legrand.com)

©2022 Legrand AV Inc. 210790 Rev A 1/22 Middle Atlantic is a registered trademark of Legrand AV Inc. All other brand names or marks are used for identification purposes and are trademarks of their respective owners. All patents are protected under existing designations. Other patents pending.