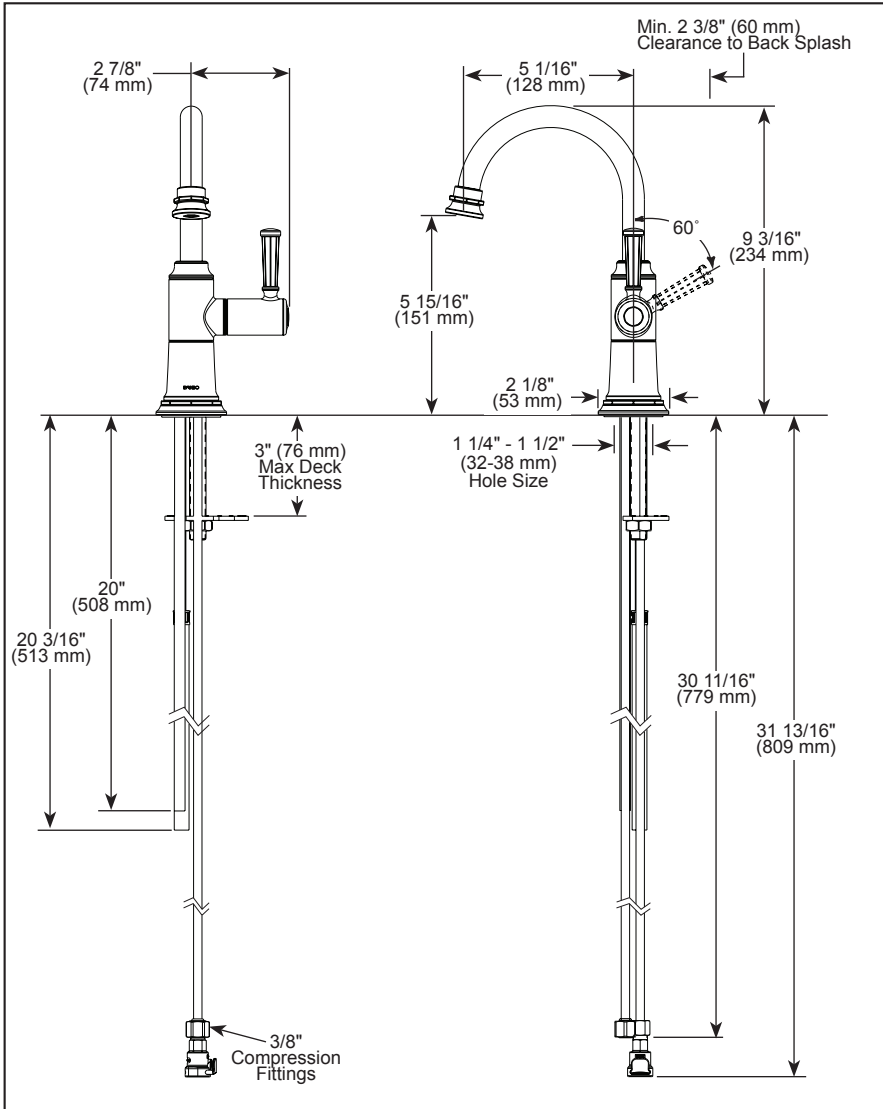


BRIZO®

HOT WATER DISPENSERS

- Single Handle Deck Mount
- 1 Hole Sink Applications
- Compatible exclusively with InSinkErator® hot water tanks
- Engineered to function with HWT300-F2000S, HWT300-F3000S or HWT-300 InSinkErator® tank models
- Tank and filter not available from Brizo



▲ Designate proper finish suffix

STANDARD SPECIFICATIONS:

- Max flow rate 1.0 gpm @ 60 psi, 3.8 L/min @ 414 kPa, laminar type flow
- Solid brass construction
- Spout swings 360°
- Self closing handle
- Spring Loaded ceramic disc valve cartridge
- Insulated body and spout to reduce heat transfer to faucet
- Mounting wrench to assist in tightening mounting nut securely
- Integrated supply tube with 3/8" compression fitting

WARRANTY

- Parts and Finish – Lifetime limited warranty; or for commercial purchasers, 10 years for multi-family residential (apartments and condominiums) and 5 years for all other commercial uses, in each case from the date the product is received by the original purchaser or their authorized representative (installation contractor, etc.).
- Please go to www.brizo.com for the complete details of our limited warranty

COMPLIES WITH:

- ASME A112.18.1 / CSA B125.1
- NSF/ANSI/CAN 61 & 372
- ICC/ANSI A117.1

