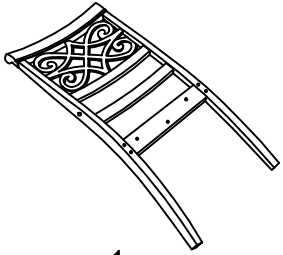


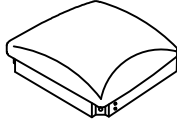
ASSEMBLY INSTRUCTION

5056A (3A) RICH CHERRY FINISH ARM CHAIR

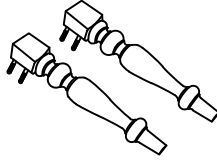
A CHAIR BACK **B** CUSHION SEAT **C** FRONT LEG **D** LEFT ARM **E** RIGHT ARM



1 pc



1 pc



2 pcs



1 pc

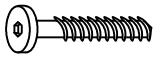


1 pc

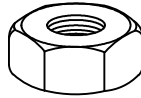
F BOLT $\phi \frac{1}{4}'' \times 75\text{mm}$ **G** BOLT $\phi \frac{1}{4}'' \times 38\text{mm}$ **H** HEX NUT $\phi \frac{5}{16}'' \times 12\text{mm}$ **I** BIG FLAT WASHER $\phi \frac{5}{16}'' \times 19\text{mm}$ **J** SMALL FLAT WASHER $\phi \frac{1}{4}'' \times 12\text{mm}$



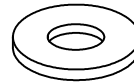
4 pcs



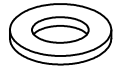
8 pcs



4 pcs



14 pcs



2 pcs

K LOCK WASHER $\phi \frac{5}{16}'' \times 13\text{mm}$ **L** WOOD PLUG **M** ALLEN KEY **N** WRENCH



16 pcs



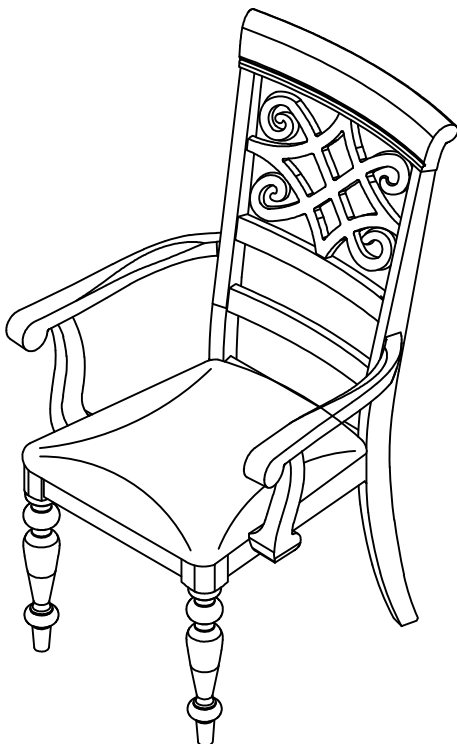
2 pcs



1 pc

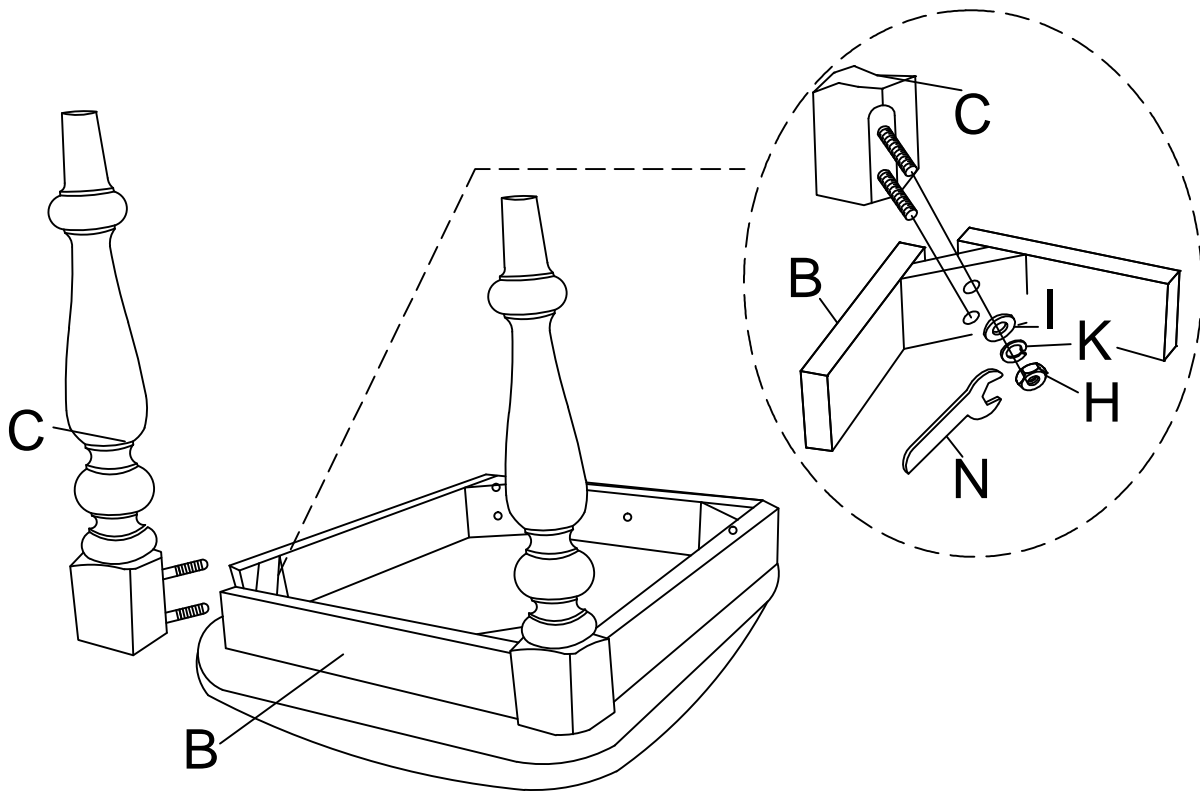


1 pc



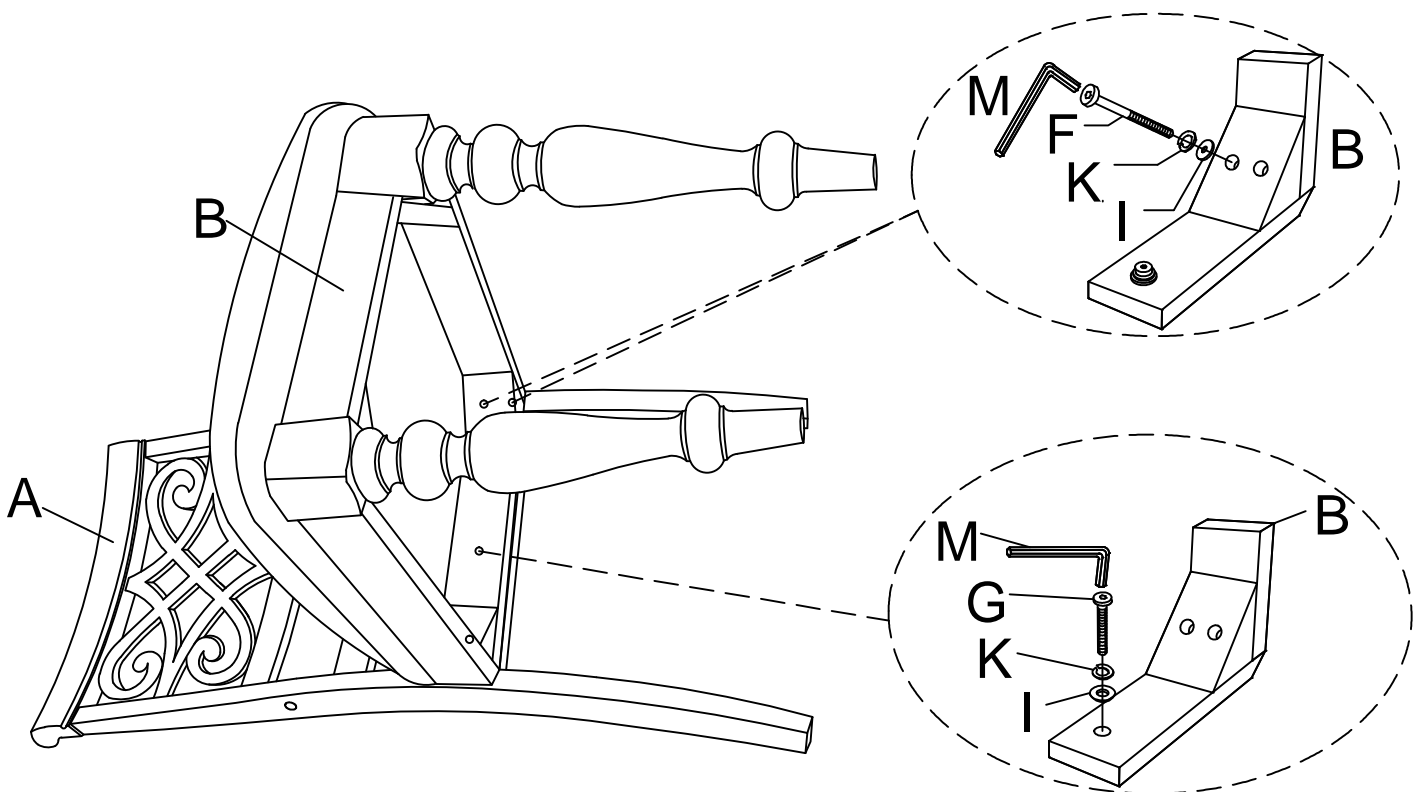
This page lists all the contents included in the box. Please take the time to identify the hardware as well as the individual components to this product. As you unpack and prepare for assembly, place the contents on a carpeted or padded area to protect them from damage.

- 1** Attach the Chair Leg (C) to Cushion Seat (B) using Big Flat Washer (I), Lock Washer (K) and Hex Nut (H) by Wrench (N). Do not fully tighten.

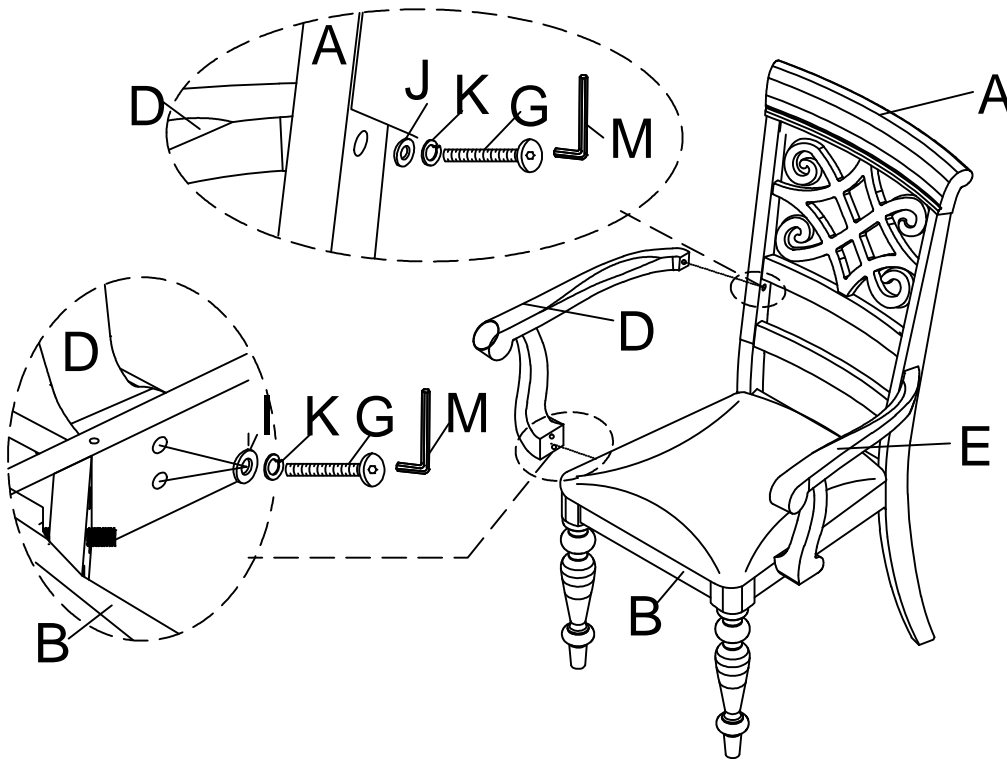


Take the Allen Wrench, and turn the bolts until the legs are secure.
DO NOT TIGHTEN COMPLETELY.
Stop when you feel you are adding force to tighten the bolt.

- 2** Attach Cushion Seat (B) to Chair Back (A) assembly by securing the Big Flat Washer (I), Lock Washer (K) and Bolt (F) on corner. Flat Washer (I), Lock Washer (K) and Bolt (G) onto back rail by using Allen Key (M). Hand tighten only at this moment by using Allen Key (M).

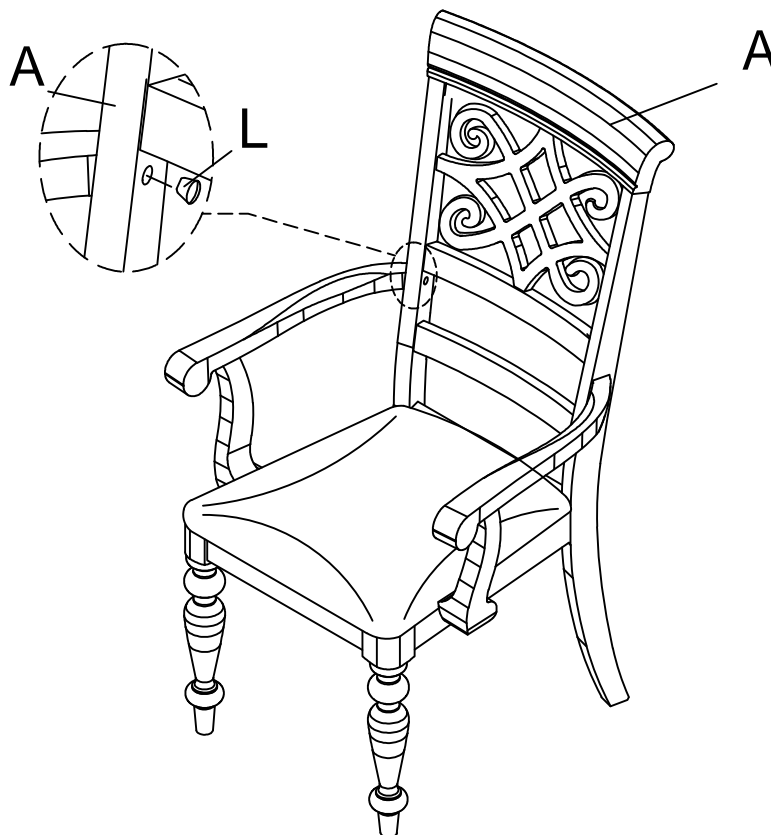


- 3** Attach Left Arm (D) and Right Arm (E) to Chair Back (A) by using Small Flat Washer (J), Lock Washer (K) and Bolt (G); to Cushion Seat (B) by using Flat washer (I), Lock washer (K) and Bolt (G). Fully tighten with Allen Key (M).



- 4** Cover the holes on the Chair Back (A) with Wood Plug (L). Assembly product is now completed.

Stand chair up on an even surface and check that it is balanced. If there is a slight wobble, apply downward pressure in the corner where a leg is uneven. Keeping pressure in that corner, tighten all bolts. If balanced, apply downward pressure evenly in the center and tighten all bolts. Do not over-tighten beyond hole depth.



Helpful Tip:
-Instead of applying downward pressure while reaching under to tighten bolts, have someone sit in the chair while you tighten the bolts.

Cleaning & Care :

Treat surface with care. Surface is resistant to scratches but is not scratch resistant. Clean surface with a dry or damp soft cloth. Do not use abrasive cleaners. Hardware may loosen over time. Periodically check that all connections are tight.