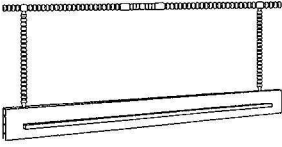
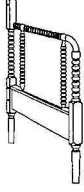
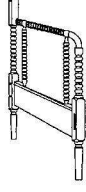

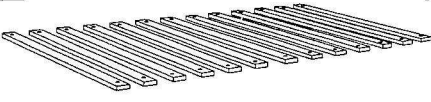



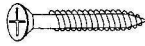
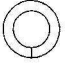

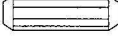



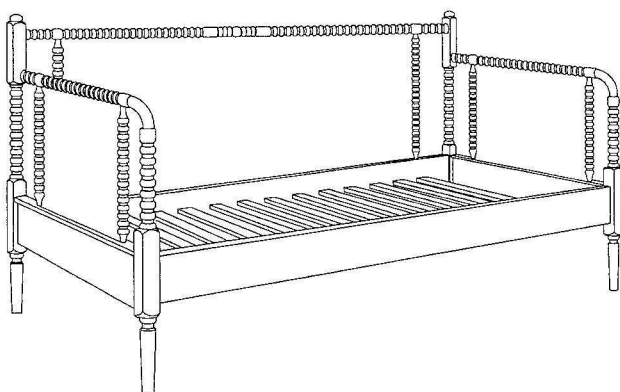
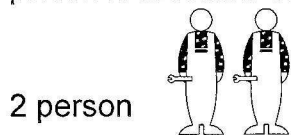


ASSEMBLY INSTRUCTION

BEADED DAYBED

A Back Panel  1 pc	B Side Frame (Left)  1 pc	C Side Frame (Right)  1 pc
D Front Rail  1 pc	E Slats  13 pcs	F JCBC Bolt M6 X 35mm  6 pcs
G JCBC Bolt M6 X 60mm  2 pcs	H JCBC Bolt M6 X 100mm  4 pcs	I CSK Screw M4 X 32mm  20 pcs
J Spring Washer 5/16"  12 pcs	K Wooden Button  6 pcs	L Wooden Dowel M10 x 35mm  2 pcs
M Barrel Nut  4 pcs	N Allen Key M4 (Long)  1 pc	O 'I' Allen Key M4 (For power drill usage)  1 pc

Remark :
 You may need more than 2
 person to assemble this.



This page lists all the contents included in the box. Please take the time to identify the hardware as well as the individual components to this product. As you unpack and prepare for assembly, place the contents on a carpeted or padded area to protect them from damage.

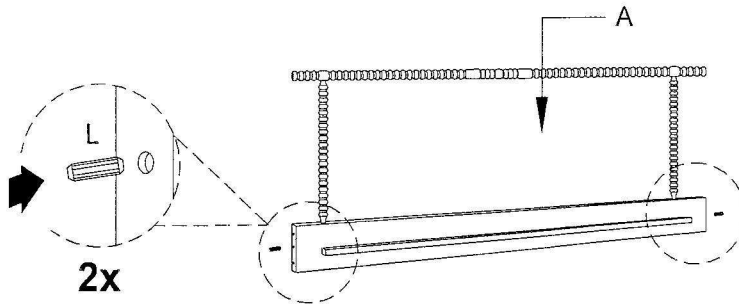
IMPORTANT NOTE :

1. Do not tighten all screws / bolts until all completely assemble.
2. Keep all hardware parts out of reach of children.

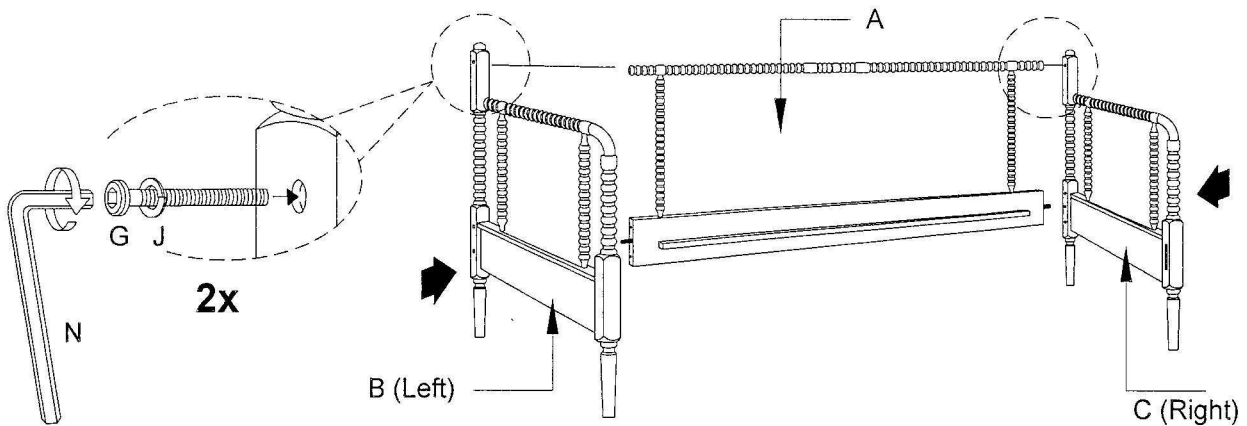
Remark :

You may need more than 2 person to assemble this.

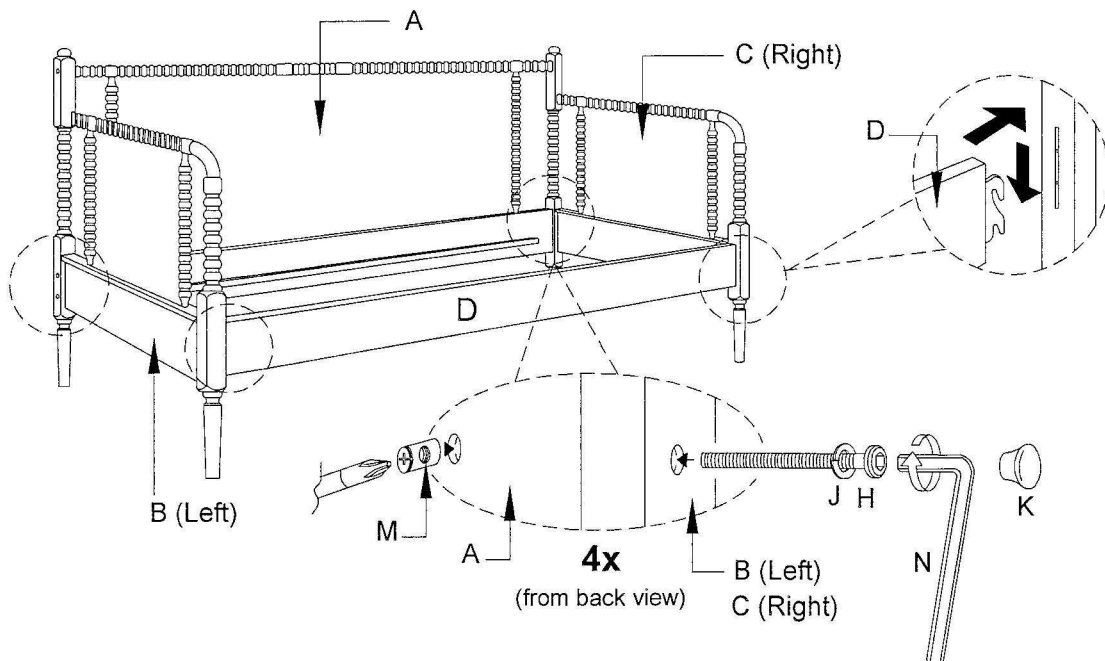
1 Insert Wooden Dowel (L) to the Back Panel (A).



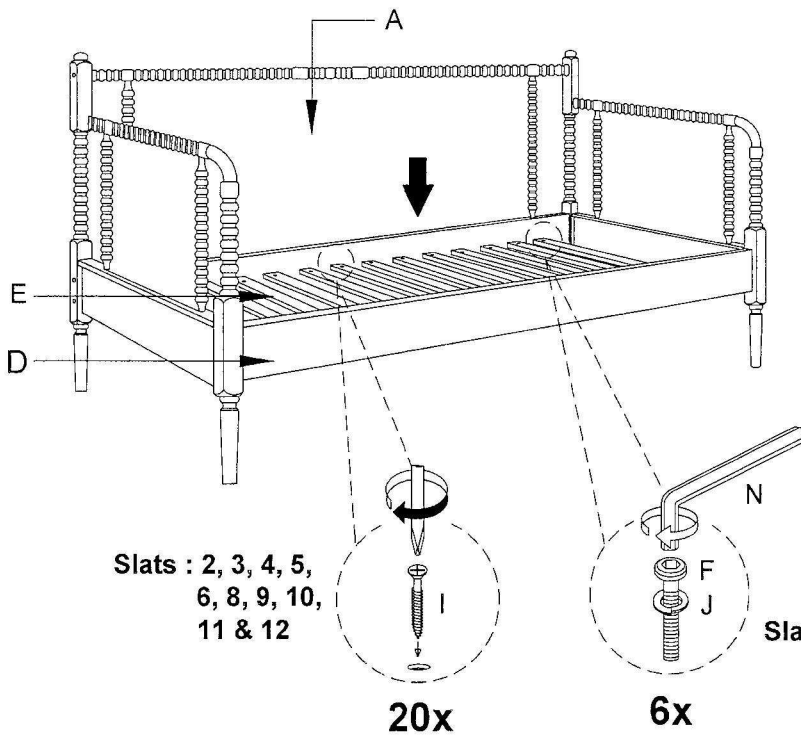
2 Attached Side Frame (B) (Left) to Back Panel (A) by inserting JCBC Bolt (G) with Spring Washer (J) into provided holes using Allen Key (N). Do not tighten the bolts. Repeat the same process to Side Frame (C) (Right).



3 Slot in the Barrel Nut (M) trough the holes and hold it with Phillip Screwdriver (not provided). Insert JCBC Bolt (H) with Spring Washer (J) to the holes at the bottom side of Side Frame (B) (Left) and (C) (Right) and secure it using the Allen Key (N). Insert Front Rail (D) to the Side Frame (B) (Left) and (C) (Right). Tighten all the JCBC Bolt with Allen Key (N). Cover all the JCBC Bolt holes with Wooden Button (K).



4 Place Slats (E) to the Back Panel (A) and Front Rail (D). Secure the Slats (E) with Spring Washer (J) and JCBC Bolt (F) and tighten using Allen Key (N) & CSK Screw (I) following the diagram below.



- 1
- 2
- 3
- 4
- 5
- 6
- 7
- 8
- 9
- 10
- 11
- 12
- 13

*** Remark :**
 Slats no. 1, 7 & 13 use JCBC Bolt (F) with Spring Washer (J).
 Others use CSK Screw (I).

CLEANING & CARE

Treat surface with care. Surface is resistant to scratches but is not scratches resistant. Clean surface with a dry or damp soft cloth. Do not use abrasive cleaners. Hardware may loosen over time. Periodically check that all connections are tight.