



Manufactured by:
Backyard Discovery
3305 Airport Drive, Pittsburg, KS 66762
800-856-4445

Basepoint Business Centre: Rivermead Drive, Westlea, Swindon SN5 7EX Phone: 0800-118-2476
J.P. Coenstraat 7, The Bridge, The Hague, 2595 WP, Netherlands Phone: 08005678990

BELMONT

SWING SET

MODEL: # 2001039



WARNING

Adult Assembly Required.

The assembly manual must be retained since it contains important information
Not suitable for children under 36 months due to small parts.

FOR DOMESTIC USE ONLY. INTENDED FOR OUTDOOR USE.



Please visit www.backyarddiscovery.com

For the most up to date assembly manual, to register your product, or to order replacement parts
Para obtener instrucciones en español, visite www.backyarddiscovery.com



EASY STEP-BY-STEP
3D INTERACTIVE INSTRUCTIONS
DOWNLOAD THE FREE APP





Place the set on level ground, not less than 6'-7" [2 m] from any structure or obstruction such as a fence, garage, house, overhanging branches, laundry lines, or electrical wires.

- While assembling unit, take time before and after each phase to make sure fort is level. If fort is not level, assembly will be difficult and improper assembly may result. Extra care must be taken to insure the fort is square.
- The safe play area refers to a zone extending 6'-7" (2m) beyond the play product on all sides, including the space above the play product.

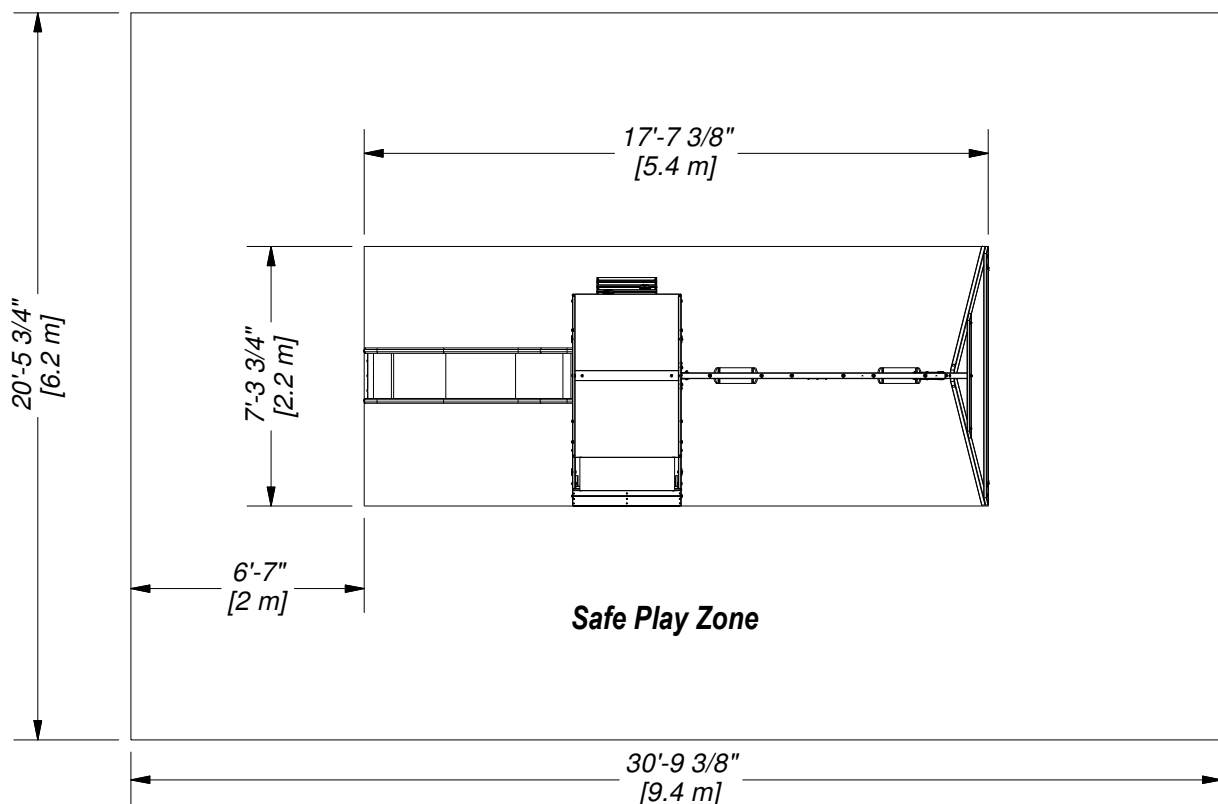
SAFE PLAY AREA DIAGRAM

Ground Dimension

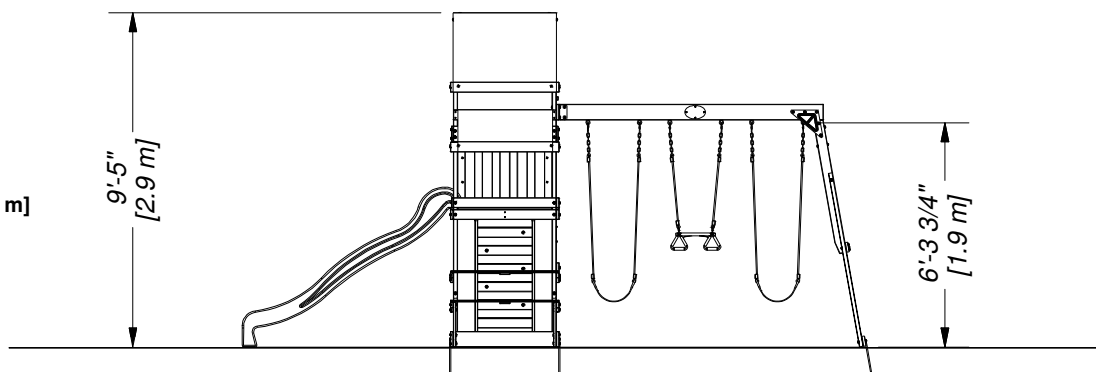
17' - 7 3/8" (5.4m) x 7' - 3 3/4" (2.2m) x 16' - 0" (4.9m)

Safe Play Area

30' - 9 3/8" (9.4m) x 20' - 5 3/4" (6.2m)



SAFE PLAY HEIGHT: 16'-0" [4.9 m]
MAXIMUM FALL HEIGHT: 6'-1 1/8" [1.9 m]



General Information:

Your set has been designed and engineered for children only and for residential use only.
 A maximum of 150 lbs. per child is recommended for play activities designed for individual use.
 A maximum of 120 lbs. per child is recommended for play activities designed for multiple child use.
 A maximum of 9 children is recommended for this swing set.



Wood Components (Not to Scale)



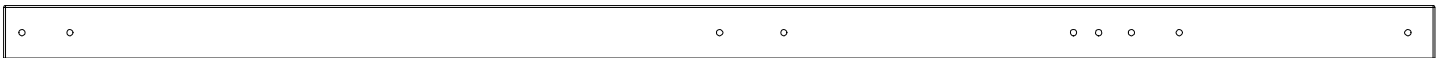
E1 | FORT UPRIGHT - W4L13102
(1) 1 3/8"x3 3/8"x89 1/2" (36x86x2273)



E2 | FORT UPRIGHT - W4L13103
(1) 1 3/8"x3 3/8"x89 1/2" (36x86x2273)



E3 | FORT UPRIGHT - W2A03069
(1) 1 7/16"x3 3/8"x89 1/2" (36x86x2273)



E4 | FORT UPRIGHT - W4L13553
(1) 1 3/8"x3 3/8"x89 1/2" (36x86x2273)



E77 | ANGLE BRACE - W4L13104
(2) 1 3/8"x3 3/8"x73 1/4" (36x86x1862)



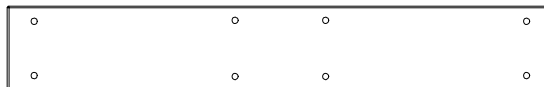
F1 | ANGLE BRACE - W4L13105
(2) 1 3/8"x2 3/8"x18 1/8" (36x60x460)



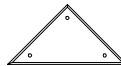
F2 | ANGLE BRACE - W4L13106
(2) 1 3/8"x2 3/8"x12 1/4" (36x60x310)



G1 | GROUND BOARD - W4L13107
(2) 1"x5 1/4"x59 1/2" (24x134x1511)



G2 | SWING BEAM SUPPORT - W4L13108
(1) 1"x5 1/4"x34 1/8" (24x134x868)



G3 | PICNIC SUPPORT - W4L13109
(2) 1"x5 1/4"x5 1/4" (24x134x134)



H1 | ROOF CROSS BRACE - W4L13110
(2) 1"x3 3/8"x53 7/8" (24x86x1368)



H2 | FLOOR JOIST - W4L13111
(3) 1"x3 3/8"x34 1/8" (24x86x868)



Wood Components (Not to Scale)



H4 | FLOOR BRACE - W4L13112
(1) 1"x3 3/8"x34 1/8" (24x86x868)



H5 | PICNIC TARP SUPPORT - W4L13554
(2) 1"x3 3/8"x24 1/2" (24x86x622)



H6 | WALL SLAT - W4L13114
(2) 1"x3 3/8"x25 1/2" (24x86x648)



H7 | PICNIC SUPPORT - W4L13115
(2) 1"x3 3/8"x15 1/4" (24x86x387)



H8 | PICNIC SUPPORT - W4L13116
(2) 1"x3 3/8"x13 1/2" (24x86x344)



H9 | PICNIC SUPPORT - W4L13117
(2) 1"x3 3/8"x6 3/4" (24x86x172)



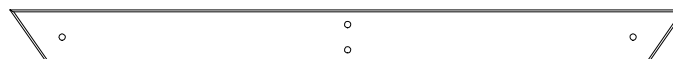
H10 | FLOOR BRACE - W4L13118
(4) 1"x3 3/8"x3 3/8" (24x86x86)



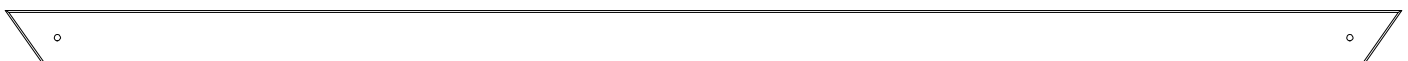
H11 | FLOOR JOIST - W4L13527
(1) 1"x3 3/8"x34 1/8" (24x86x868)



H73 | ROCK WALL RAIL - W4L13119
(2) 1"x3 3/8"x48 3/4" (24x86x1238)



H79 | END SUPPORT - W4L13120
(1) 1"x3 1/2"x42" (24x86x1072)



H80 | GROUND BOARD - W4L13121
(1) 1"x3 3/8"x87 3/8" (24x86x2218)



J1 | WALL SLAT - W4L13122
(2) 1"x2 3/8"x25 1/2" (24x60x648)



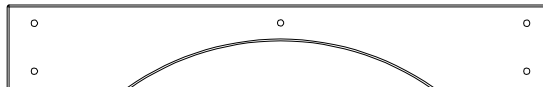
Wood Components (Not to Scale)



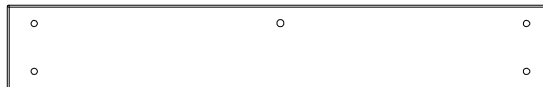
K1 | WALL RAIL - W4L13123
(3) 5/8"x5 1/4"x34 7/8" (16x134x887)



K2 | ARCHED WALL RAIL - W4L13124
(1) 5/8"x5 1/4"x34 7/8" (16x134x887)



K3 | ARCHED WALL RAIL - W4L13125
(1) 5/8"x5 1/4"x34 1/8" (16x134x868)



K4 | WALL RAIL - W4L13126
(1) 5/8"x5 1/4"x34 1/8" (16x134x868)



M1 | TARP SUPPORT - W4L13127
(2) 5/8"x3 3/8"x40" (16x86x1016)



M2 | FLOOR BOARD - W4L13128
(13) 5/8"x3 3/8"x36 3/4" (16x86x935)



M3 | TARP SUPPORT - W4L13129
(3) 5/8"x3 3/8"x36 3/4" (16x86x935)



M4 | FLOOR/TARP SUPPORT - W4L13130
(1) 5/8"x3 3/8"x34 7/8" (16x86x887)



M5 | WALL RAIL - W4L13131
(1) 5/8"x3 3/8"x34 7/8" (16x86x887)



M6 | WALL RAIL - W4L13132
(1) 5/8"x3 3/8"x34 7/8" (16x86x887)



M7 | FLOOR BOARD - W4L13133
(2) 5/8"x3 3/8"x32 1/8" (16x86x815)



Wood Components (Not to Scale)



M8 | PICNIC CLEAT - W4L13134
(1) | 5/8"x3 3/8"x10 1/8" (16x86x258)



M9 | PICNIC CLEAT - W4L13135
(1) | 5/8"x3 3/8"x6 3/4" (16x86x172)



M10 | WALL RAIL - W4L13136
(2) | 5/8"x3 3/8"x6 1/4" (16x86x160)



M11 | WALL RAIL - W4L13137
(2) | 5/8"x3 3/8"x4 3/4" (16x86x122)



M12 | WALL SLAT - W4L13138
(9) | 5/8"x3 3/8"x25 1/4" (16x86x640)



M13 | WALL RAIL - W4L13139
(1) | 5/8"x3 3/8"x34 7/8" (16x86x887)



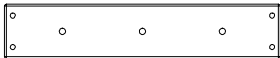
M14 | FLOOR/TARP SUPPORT - W4L13528
(1) | 5/8"x3 3/8"x34 7/8" (16x86x887)



M71 | ROCK BOARD - W4L13140
(6) | 5/8"x3 3/8"x20 1/4" (16x86x514)



M72 | ROCK WALL SLAT - W4L13421
(2) | 5/8"x3 3/8"x20 1/4" (16x86x514)



M77 | SLIDE BRACE - W4L08748
(1) | 5/8"x3 3/8"x17 1/4" (16x86x438)



M78 | CENTER SLIDE BRACE - W4L08749
(2) | 5/8"x3 3/8"x17 1/4" (16x86x438)



N1 | WALL RAIL - W4L13422
(1) | 5/8"x1 1/8"x34 1/8" (16x30x868)



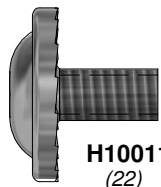
SB74 | SWING BEAM - W4L13423
(1) | 2"x5 1/4"x89 1/2" (50x134x2274)



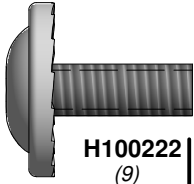
W71 | SWING BEAM SUPPORT - W4L13424
(1) | 2"x3 3/8"x46 1/8" (50x86x1170)



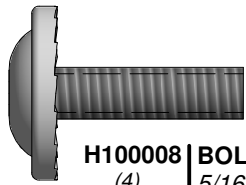
Hardware Components



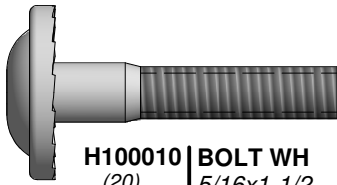
H100115 | BOLT WH
(22) | 5/16x1/2



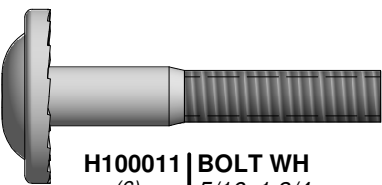
H100222 | BOLT WH
(9) | 5/16x3/4



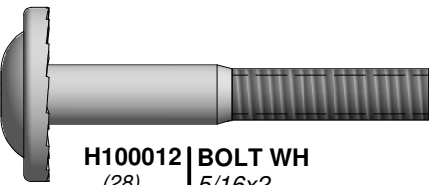
H100008 | BOLT WH
(4) | 5/16x1



H100010 | BOLT WH
(20) | 5/16x1-1/2



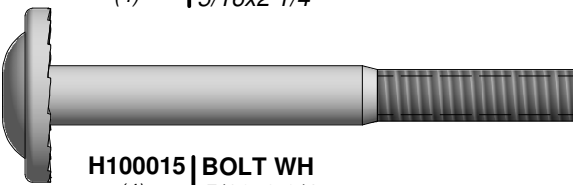
H100011 | BOLT WH
(6) | 5/16x1 3/4



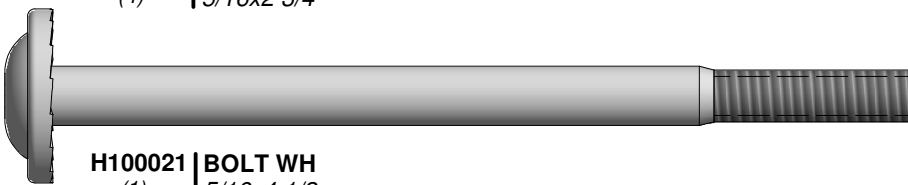
H100012 | BOLT WH
(28) | 5/16x2



H100013 | BOLT WH
(4) | 5/16x2 1/4



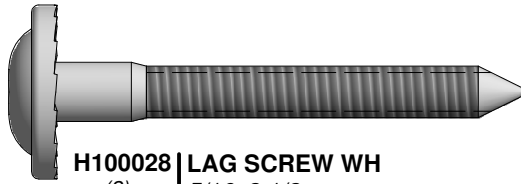
H100015 | BOLT WH
(4) | 5/16x2 3/4



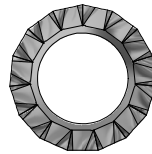
H100021 | BOLT WH
(1) | 5/16x4 1/2



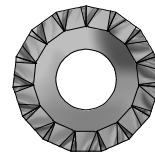
H100027 | LAG SCREW WH
(38) | 5/16x2



H100028 | LAG SCREW WH
(2) | 5/16x2 1/2



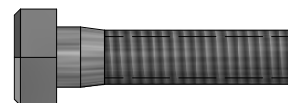
H100031 | WASHER LOCK EXT
(73) | 12x19



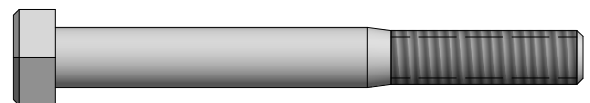
H100030 | WASHER LOCK EXT
(101) | 8x19



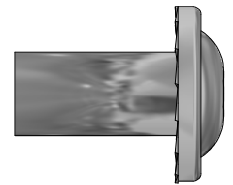
H100001 | BOLT FA
(7) | 3/8x1 1/2



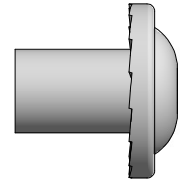
H100042 | BOLT HEX
(4) | 5/16x1 1/4



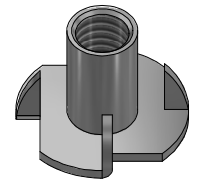
H100047 | BOLT HEX
(2) | 5/16x2 3/4



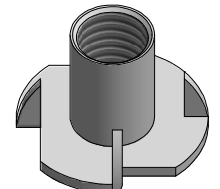
H100005 | NUT BARREL WH
(70) | 5/16x7/8



H100004 | NUT BARREL WH
(4) | 5/16 x 5/8



H100074 | T-NUT
(24) | 5/16



H100073 | T-NUT
(7) | 3/8



H100128 | SCREW PWH
(19) | 8x5/8



Hardware Components



H100088 | SCREW PFH
(48) | 8x1 1/8



H100087 | SCREW PFH
(9) | 8x1 1/4



H100086 | SCREW PFH
(136) | 8x1 1/2



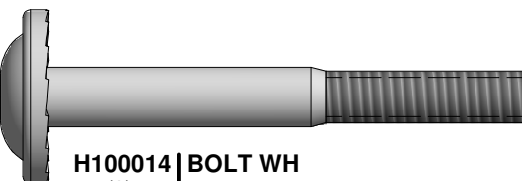
H100089 | SCREW PFH
(9) | 8x1 3/4



H100090 | SCREW PFH
(30) | 8x2 1/2"



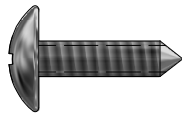
H100006 | NUT BARREL WH
(2) | 5/16x1 1/2



H100014 | BOLT WH
(2) | 5/16x2 1/2



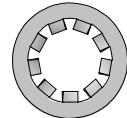
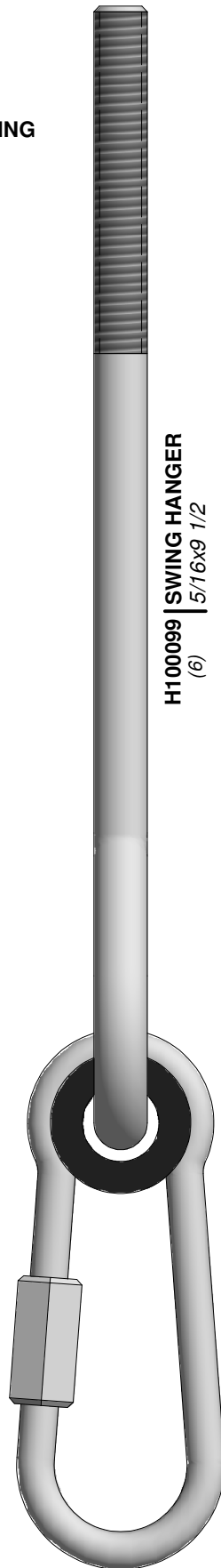
H100062 | BOLT PTH
(4) | 1/4x1 1/4



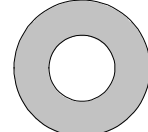
H100083 | SCREW TAPPING
(9) | 14x3/4



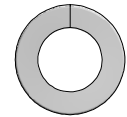
H100072 | T-NUT
(4) | 1/4



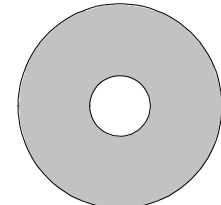
H100108 | WASHER LOCK INT
(4) | 8x15



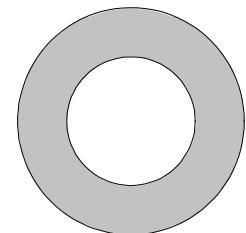
H100106 | WASHER FLAT
(4) | 9x18



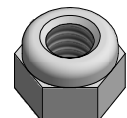
H100095 | WASHER SPLIT
(4) | 5/16



H100105 | WASHER FLAT
(15) | 8x27



H100103 | WASHER SAFETY
(7) | 17x30



H100110 | NUT LOCK
(9) | 5/16



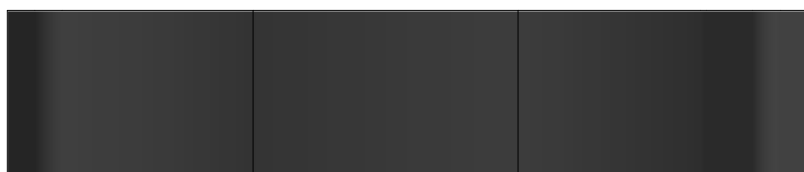
Accessory Components (Not to Scale)



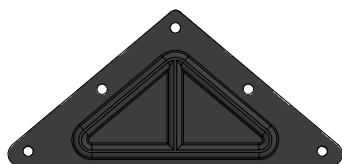
A100054 (1) | SLIDE RAIL 8' GREEN RIGHT



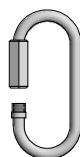
A100055 (1) | SLIDE RAIL 8' GREEN LEFT



A6P00386 (1) | SLIDE BED 8' DARK GREEN



A100294 (2) | TRIANGLE PLATE 100° 5 HOLE



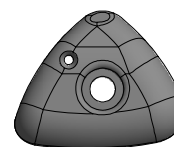
A100069 (6) | QUICK LINK



A100028 (2) | HAND GRIP GREEN PLASTIC



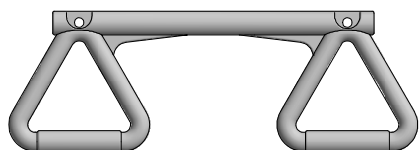
A100164 (1) | BYD ID TAG (LARGE) AGES 3-10



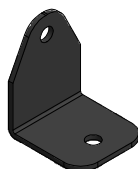
A100060 (6) | CLIMBING ROCK GREEN SMALL



A100314 (1) | "A" REVISION TAG



A6P00034 (1) | TRAPEZE YELLOW



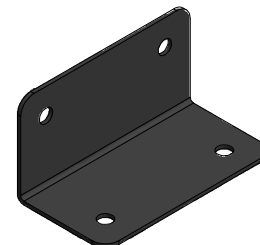
A100053 (4) | L BRACKET 54x67 - GRN



A4M01046 (8) | L BRACKET 2.5x38x55x55



A6P00054 (2) | SWING SEAT GREEN 22IN



A100140 (2) | L BRACKET 66x66x127



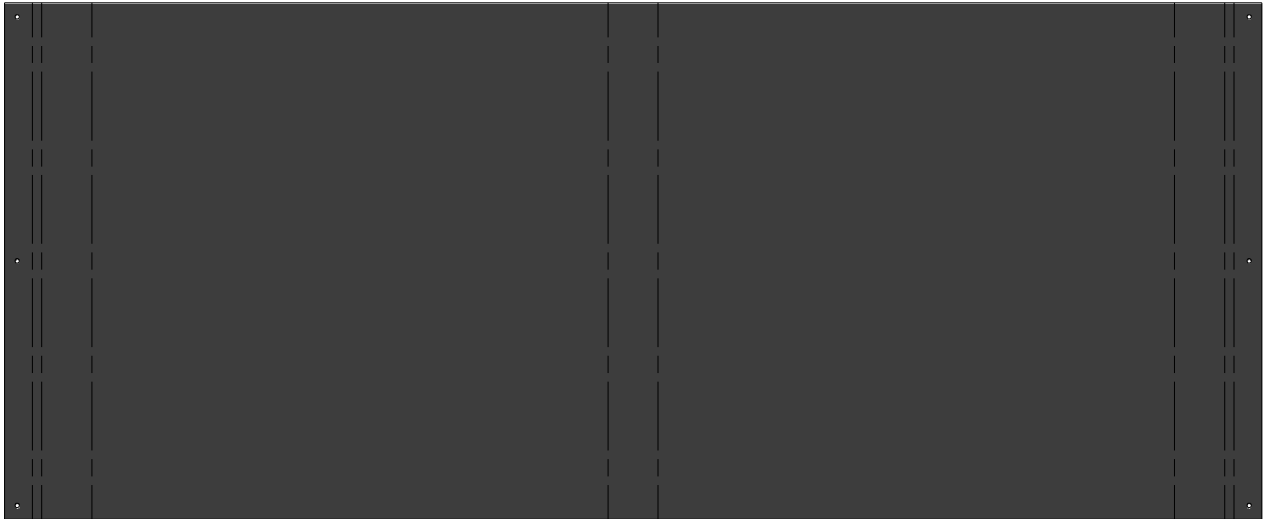
A100083 (2) | ROPE-CHAIN GREEN 33"



A100087 (4) | ROPE-CHAIN GREEN 51.25"



Accessory Components (Not to Scale)



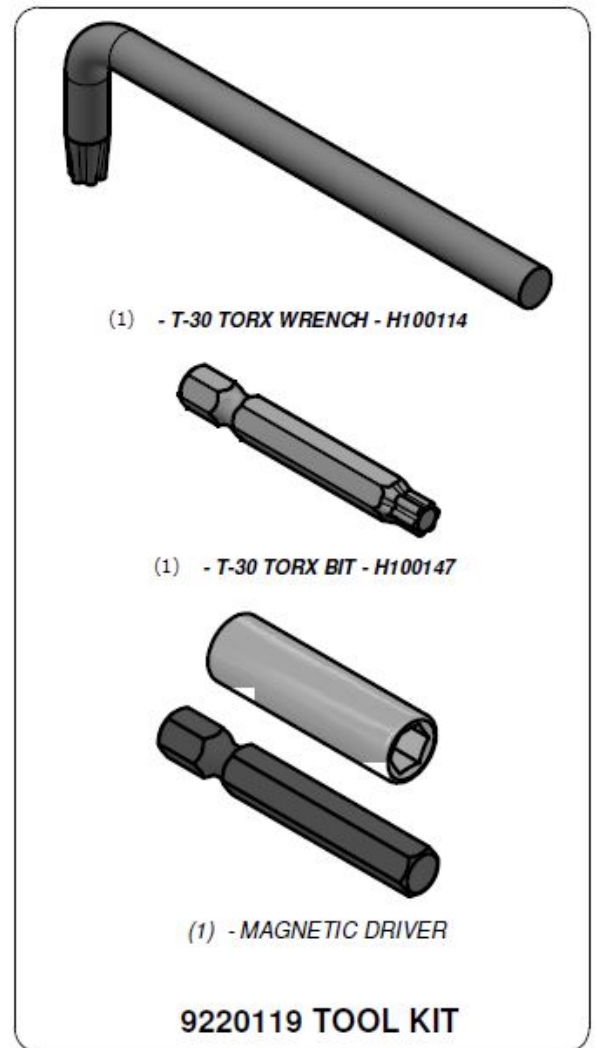
A6P00382 | ROOF TARP
(1)



A6P00383 | PICNIC TABLE TARP
(1)



A4M00527 | GROUND STAKE REBAR
(6)



(1) - T-30 TORX WRENCH - H100114

(1) - T-30 TORX BIT - H100147

(1) - MAGNETIC DRIVER

9220119 TOOL KIT

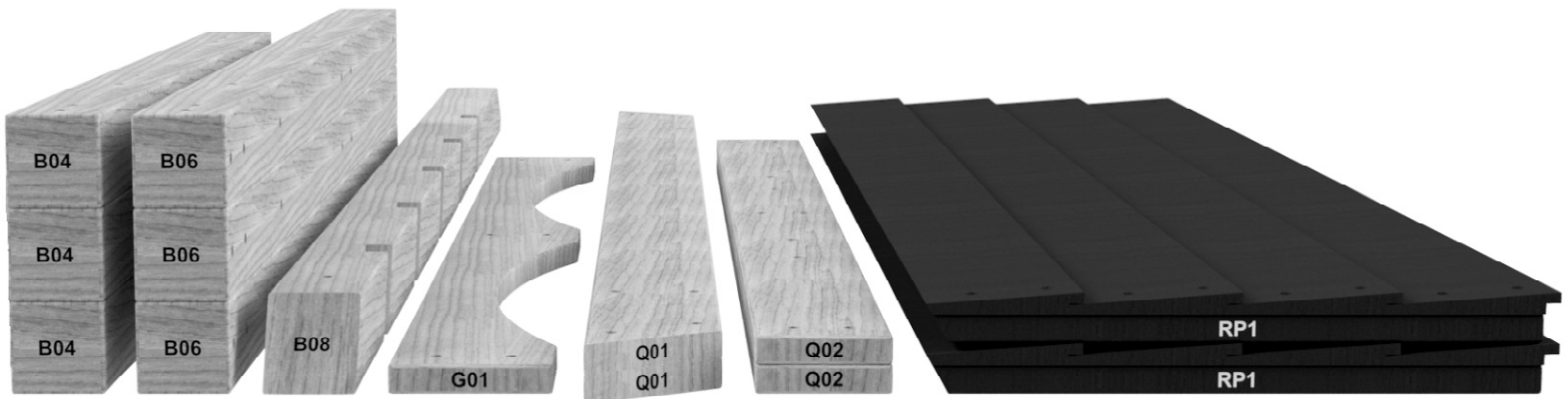
PRE-ASSEMBLY STEP 1 - SORTING PARTS

It is critical for ease of assembly that you take the time to sort and organize the wood and hardware.

WOOD PARTS:

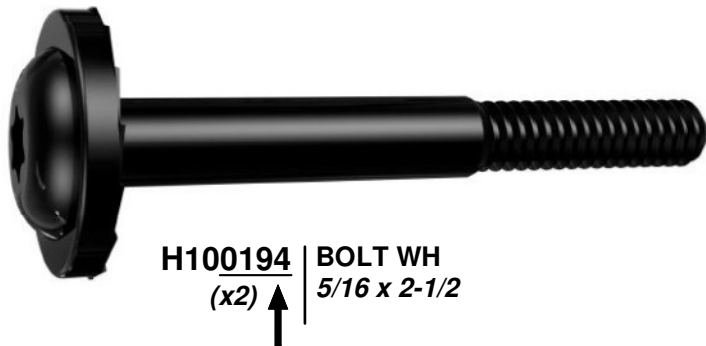
- Organize wood parts by the three-digit, alpha-numeric number stamped on each board (ex. P01).
- If there are multiple boards with the same stamped number, stack those pieces together.
- Stamps can be found on the flat surface of the boards or on the end of the boards.
- Allow yourself plenty of room - the wood pieces can take up a significant amount of space.

NOTE: CARTONS ARE NOT ORGANIZED BY BOARD NUMBER.



HARDWARE PARTS:

- We recommend that you have a separate table to organize the hardware.
- Hardware bags are printed with a seven-digit, alpha-numeric part number.
- You can organize your hardware by part number or group by hardware type (i.e. bolts, nuts, etc.).
- During assembly you only need to reference the last four digits of the number.



PRE-ASSEMBLY STEP 2 - TOOLS REQUIRED



**Cordless Drill or
Electric Drill**



**Drill Attachments:
Phillips Head**



**1/8", 3/16", 3/8" & 7/16"
Drill Bits**



Phillips Screw Driver



Open End Wrenches 1/2" & 9/16"



**3/8" Drive Ratchet, 1/2" &
9/16" STD Sockets 1/2" & 9/16" Deep
Sockets**



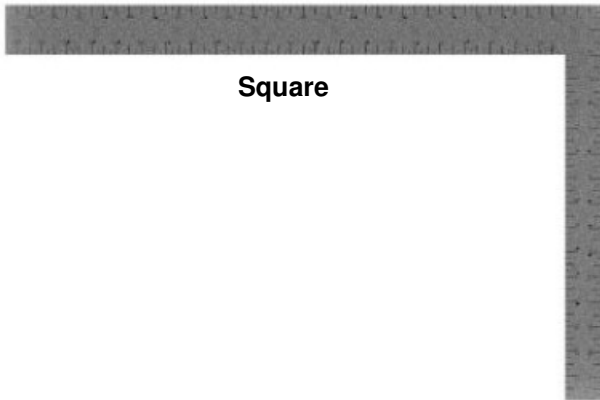
Claw Hammer



Rubber Mallet - Optional



Tape Measure



Square

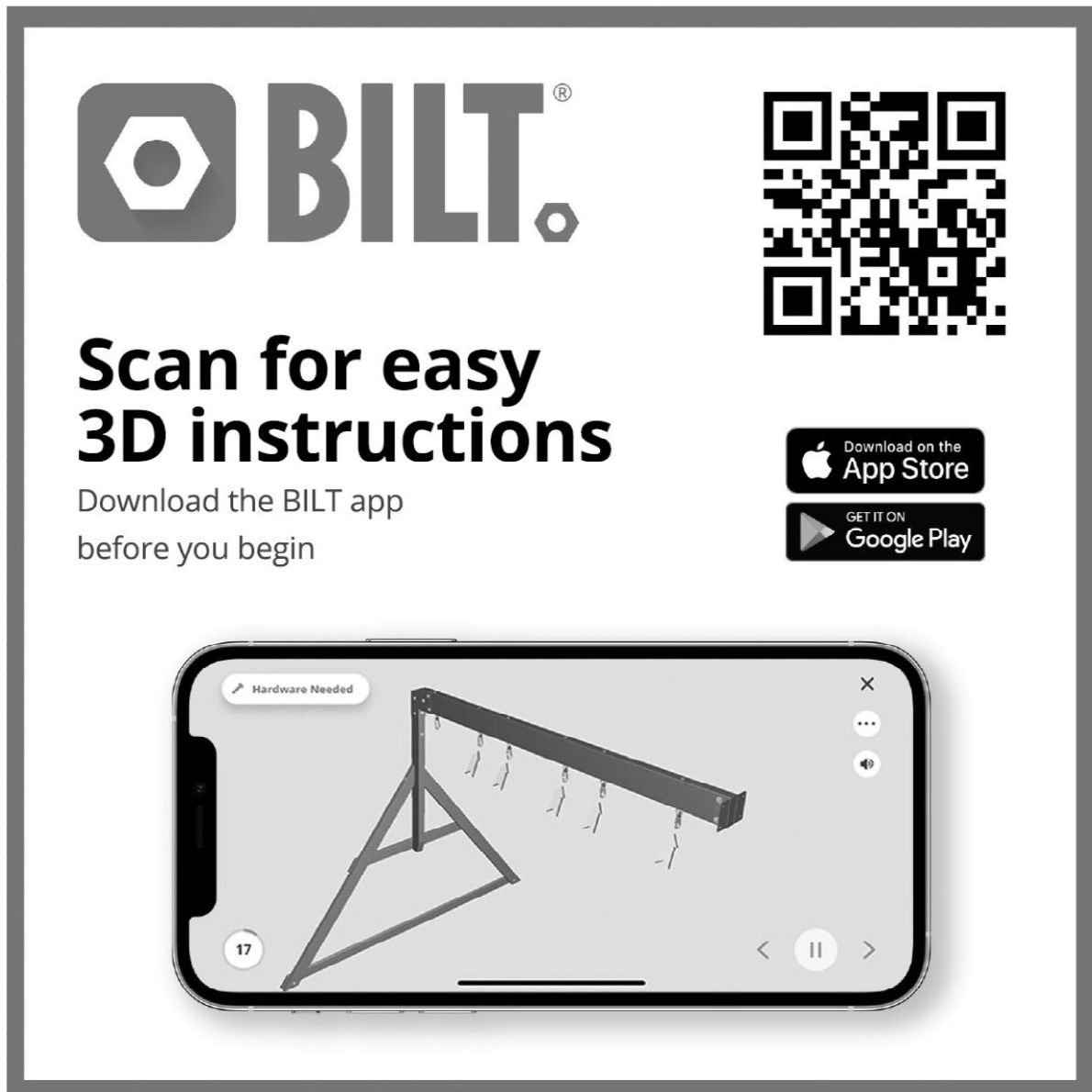


Level 24"

PRE-ASSEMBLY STEP 3 - CHOOSE YOUR ASSEMBLY METHOD

There are several types of assembly instructions available to you.

1. **Printed Assembly Manual** included with your set
2. **BILT APP** - 3D interactive instructions
3. **Combination of the Printed Manual and BILT APP** (Note: Step numbers can differ between the two methods)



The advertisement features the BILT logo (a hexagon with a dot) and the word "BILT." in a bold, sans-serif font. To the right is a large QR code. Below the logo, the text "Scan for easy 3D instructions" is written in a large, bold font, followed by "Download the BILT app before you begin" in a smaller font. To the right of this text are two buttons: "Download on the App Store" and "GET IT ON Google Play". At the bottom, a smartphone screen displays a 3D assembly instruction for step 17, showing a metal frame with a horizontal bar and several hanging components. The screen includes a "Hardware Needed" label, a close button (X), a menu button (three dots), a volume icon, and navigation arrows.

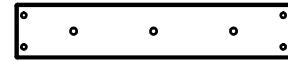


SLIDE ASSEMBLY

STEP 1



A6P00386 | SLIDE BED 8' DARK GREEN
(x1)



M77 | SLIDE BRACE - W4L08748
(x1) | 5/8"x3 3/8"x17 1/4" (16x86x438)



H100115 | BOLT WH
(x3) | 5/16x1/2



H100074 | T-NUT
(x3) | 5/16



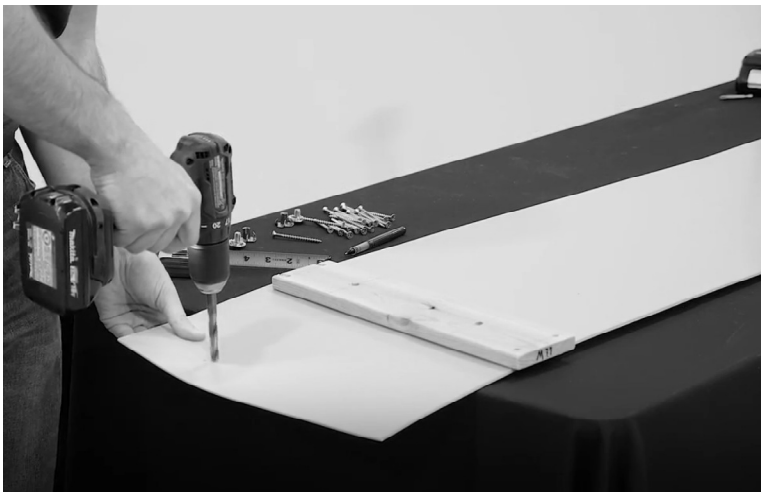
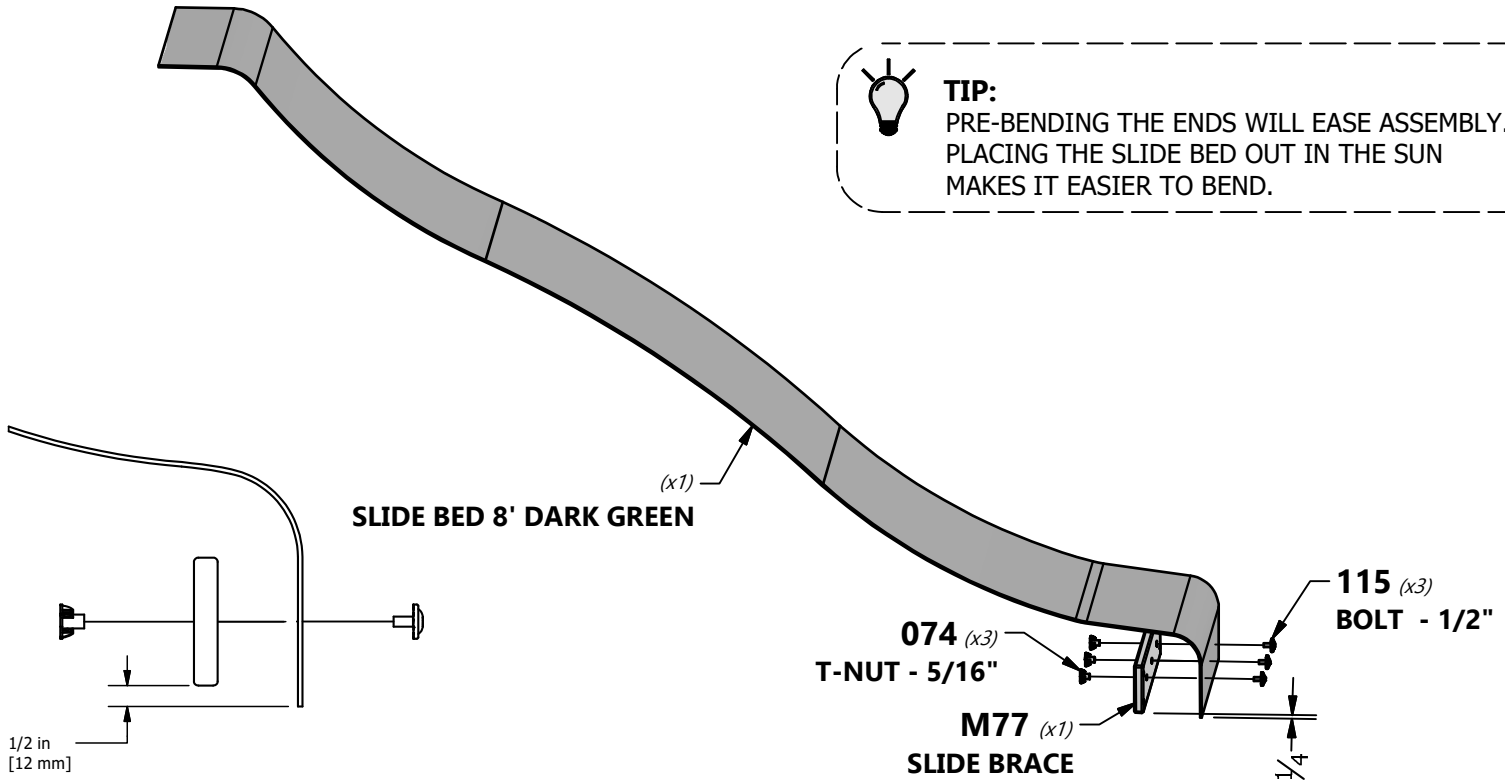
NOTE:

TAKE NOTE OF SLIDE BED SURFACE FINISH, THE DULL SIDE WILL BE TOWARDS THE GROUND. PLACE SLIDE BRACE CENTERED ON THE BOTTOM (DULL SIDE) AND 1/2" FROM THE EDGE. USE **M77** BOARD AS A TEMPLATE FOR DRILLING BOTTOM HOLE PATTERN IN SLIDE BED. USE A 5/16" DRILL BIT.



TIP:

PRE-BENDING THE ENDS WILL EASE ASSEMBLY. PLACING THE SLIDE BED OUT IN THE SUN MAKES IT EASIER TO BEND.





SLIDE ASSEMBLY

STEP 2



M78 | CENTER SLIDE BRACE - W4L08749
(x2) | 5/8"x3 3/8"x17 1/4" (16x86x438)



A100054 | SLIDE RAIL 8' GREEN RIGHT
(x1)



A100055 | SLIDE RAIL 8' GREEN LEFT
(x1)



H100090 | SCREW PFH
(x24) | 8x2 1/2"



NOTE:

USING A 1/8" DRILL BIT, DRILL PILOT HOLES IN EACH INDENTATION ALONG EACH SIDE RAIL. THERE SHOULD BE 12 INDENTIONS ON EACH RAIL.

PLACE THE SLIDE RAIL ON FLAT SURFACE. STARTING AT THE BOTTOM, INSERT THE SLIDE BED INTO THE CHANNEL ON THE INSIDE OF THE RAIL. HOLD THE SLIDE BED IN PLACE WHILE A HELPER BENDS THE SLIDE BED INTO THE CHANNEL. MAKE SURE THE SLIDE BED IS COMPLETELY INSERTED INTO THE CHANNEL.

INSERT THE TWO CENTER SLIDE BRACES INTO THEIR RESPECTIVE LOCATIONS. SECURE THE SLIDE BED AND CENTER USING THE PROVIDED HARDWARE.

PLACE SECOND SLIDE RAIL ASSEMBLY OVER THE TOP OF THE SLIDE BED AND M78 CENTER SLIDE BRACES. INSERT THE SLIDE BED AND CENTER SLIDE BRACES INTO THE SLIDE CAVITY. MAKE SURE SLIDE BED IS COMPLETELY IN THE SLIDE CAVITY.

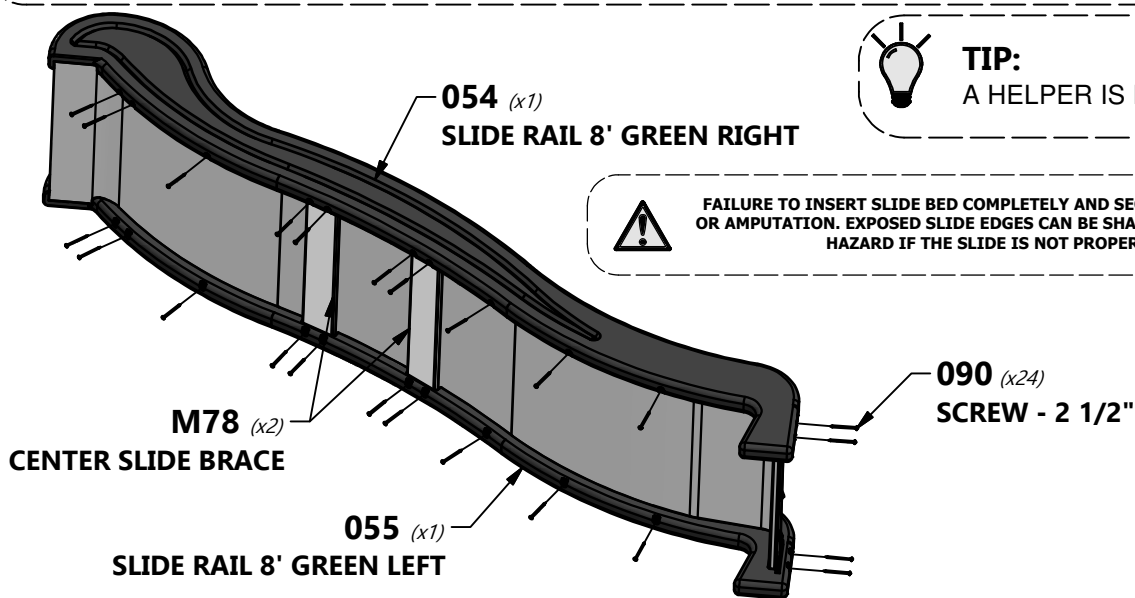


TIP:

A HELPER IS REQUIRED FOR THIS PHASE.



FAILURE TO INSERT SLIDE BED COMPLETELY AND SECURED MAY RESULT IN INJURY OR AMPUTATION. EXPOSED SLIDE EDGES CAN BE SHARP AND BECOME A LACERATION HAZARD IF THE SLIDE IS NOT PROPERLY ASSEMBLED.



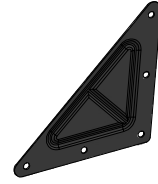


SWING BEAM ASSEMBLY

STEP 1



SB74 | SWING BEAM - W4L13423
(1) | 2"x5 1/4"x89 1/2" (50x134x2274)



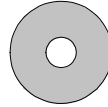
A100294 | TRIANGLE
(2) | PLATE 100° 5
HOLE



A100140 | L BRACKET
(2) | 66x66x127



H100047 | BOLT HEX
(2) | 5/16x2 3/4



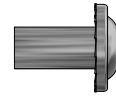
H100105 | WASHER FLAT
(4) | 8x27



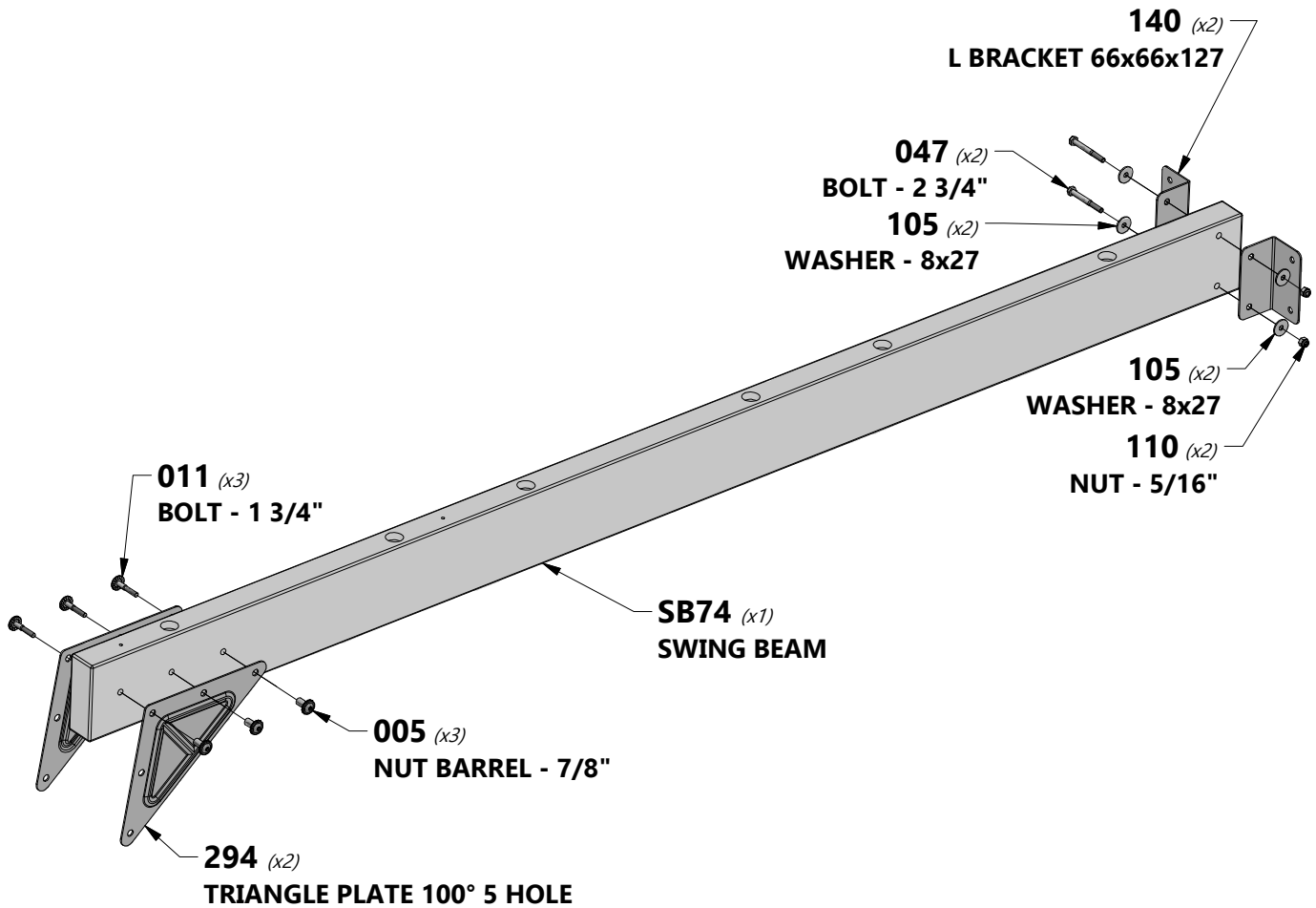
H100110 | NUT LOCK
(2) | 5/16



H100011 | BOLT WH
(3) | 5/16x1 3/4



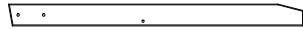
H100005 | NUT BARREL WH
(3) | 5/16x7/8



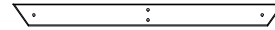


SWING BEAM ASSEMBLY

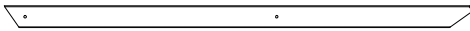
STEP 2



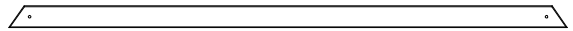
W71 | SWING BEAM SUPPORT - W4L13424
(1) | 2"x3 3/8"x46 1/8" (50x86x1170)



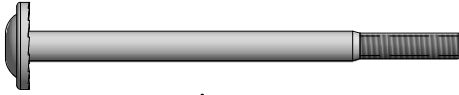
H79 | END SUPPORT - W4L13120
(1) | 1"x3 1/2"x42" (24x86x1072)



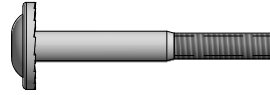
E77 | ANGLE BRACE - W4L13104
(2) | 1 3/8"x3 3/8"x73 1/4" (36x86x1862)



H80 | GROUND BOARD - W4L13121
(1) | 1"x3 3/8"x87 3/8" (24x86x2218)



H100021 | BOLT WH
(1) | 5/16x4 1/2



H100014 | BOLT WH
(2) | 5/16x2 1/2



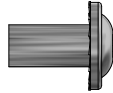
H100012 | BOLT WH
(4) | 5/16x2



H100031 | WASHER LOCK EXT
(7) | 12x19



H100027 | LAG SCREW WH
(2) | 5/16x2



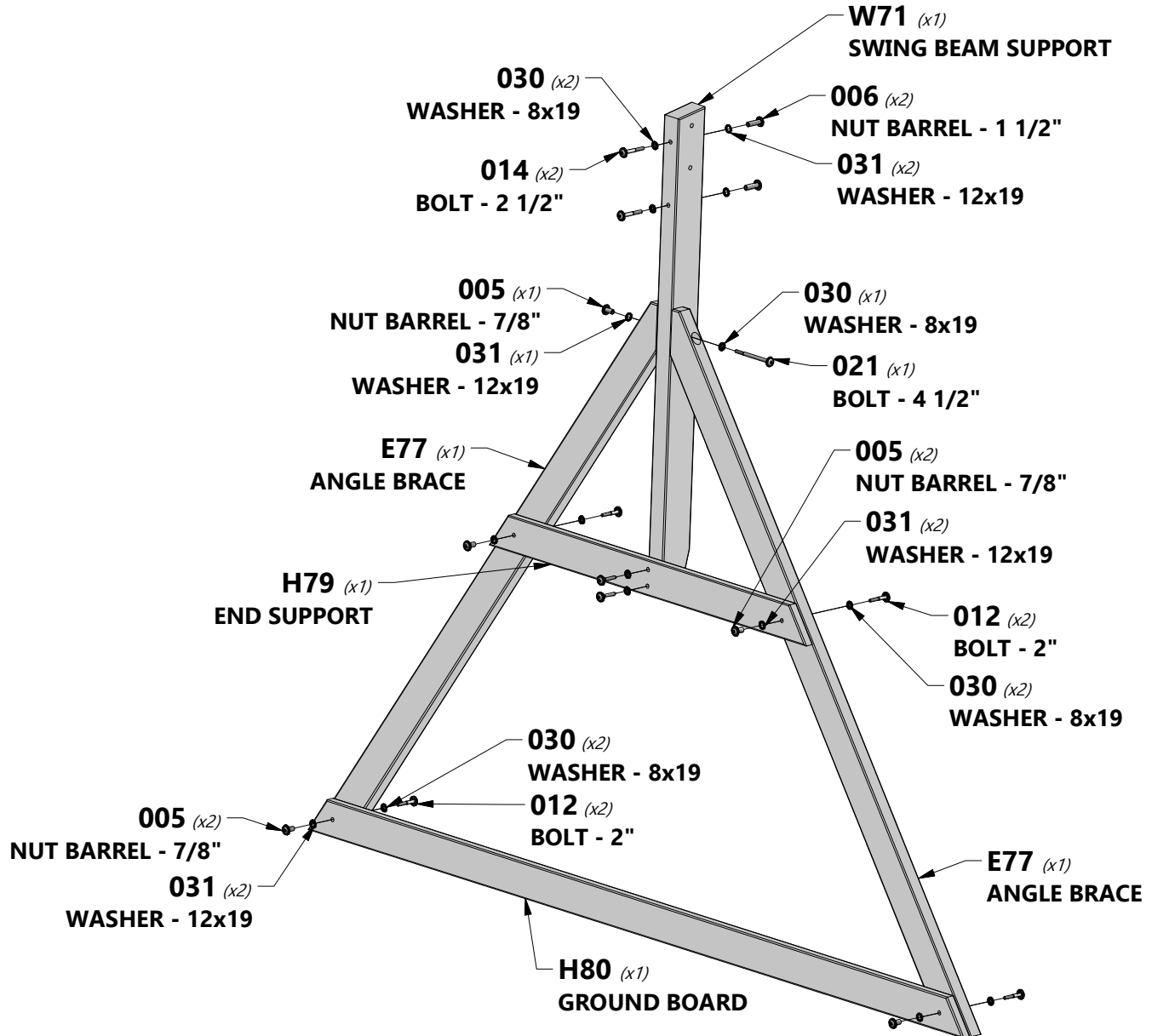
H100005 | NUT BARREL WH
(5) | 5/16x7/8



H100006 | NUT BARREL WH
(2) | 5/16x1 1/2



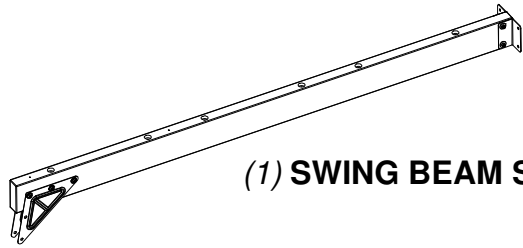
H100030 | WASHER LOCK EXT
(9) | 8x19



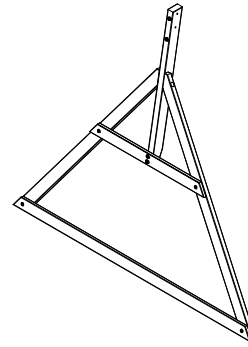


SWING BEAM ASSEMBLY

STEP 3



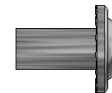
(1) SWING BEAM SUBASSEMBLY



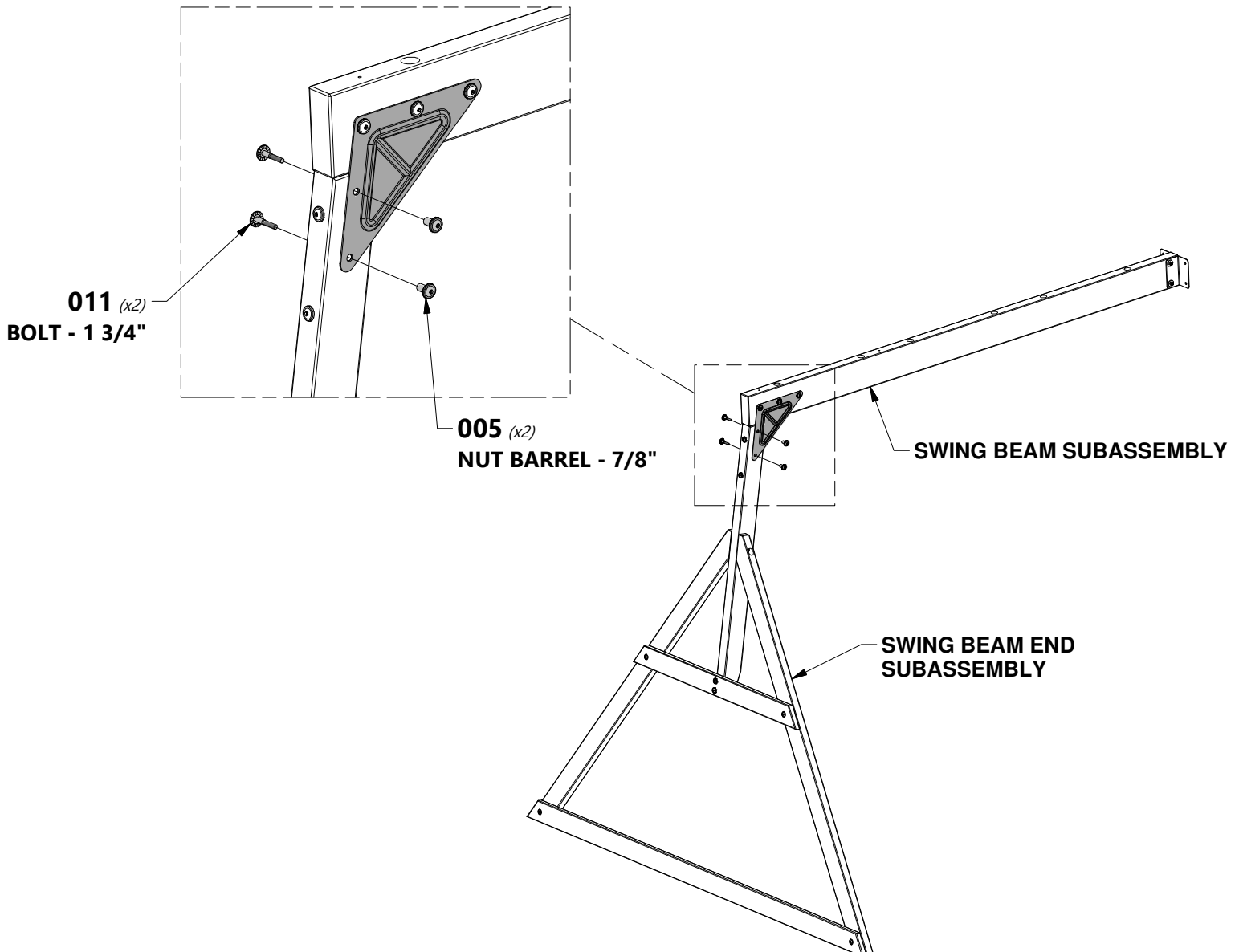
(1) SWING BEAM END SUBASSEMBLY



H100011 | BOLT WH
(2) | 5/16x1 3/4



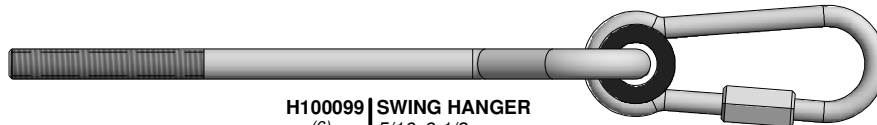
H100005 | NUT BARREL WH
(2) | 5/16x7/8



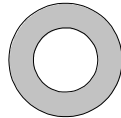


SWING BEAM ASSEMBLY

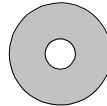
STEP 4



H100099 | SWING HANGER
(6) | 5/16x9 1/2



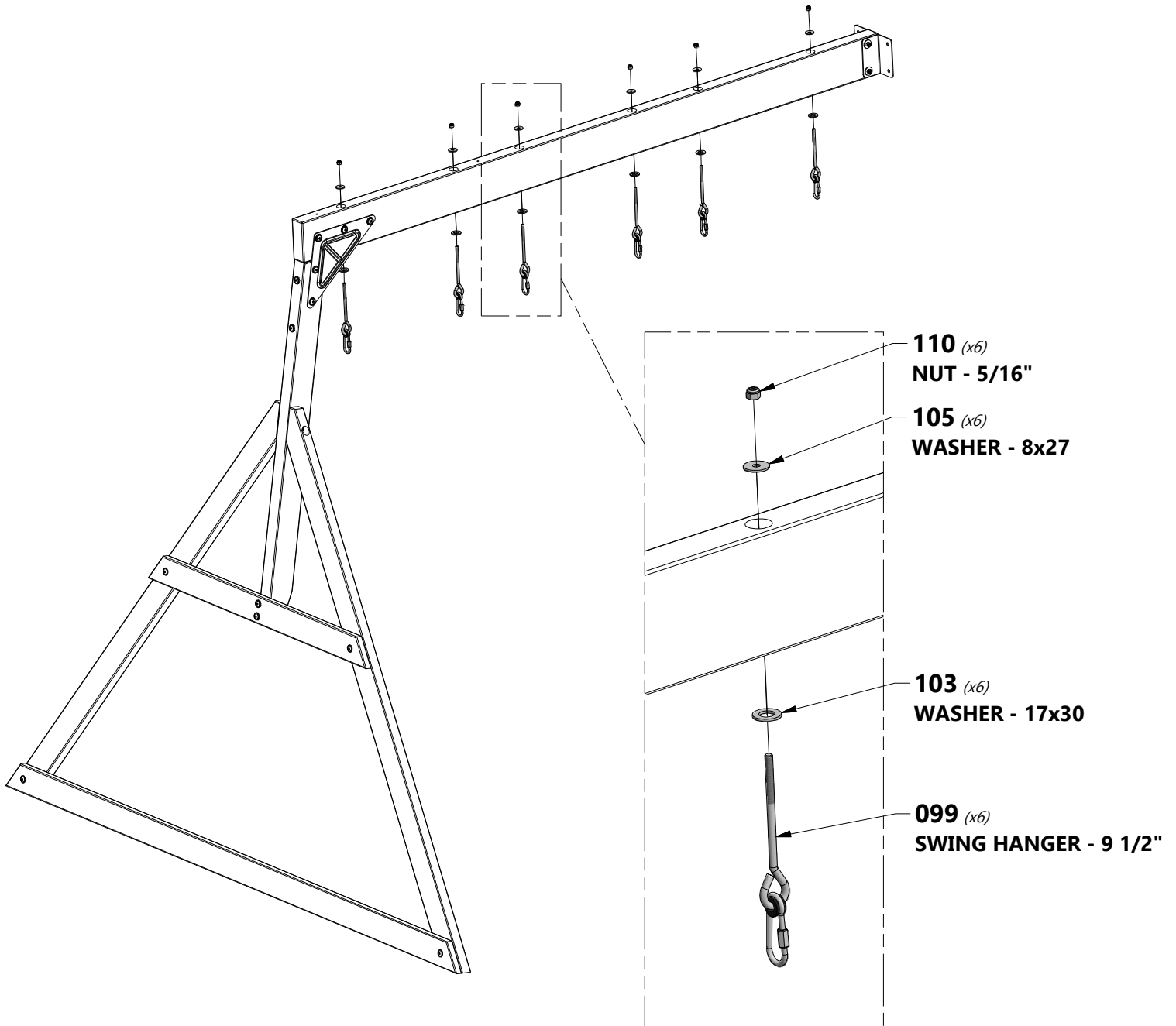
H100103 | WASHER SAFETY
(6) | 17x30



H100105 | WASHER FLAT
(6) | 8x27



H100110 | NUT LOCK
(6) | 5/16





ROCK LADDER ASSEMBLY

STEP 1

M71 | ROCK BOARD - W4L13140
(6) | 5/8"x3 3/8"x20 1/4" (16x86x514)

M72 | ROCK WALL SLAT - W4L13421
(2) | 5/8"x3 3/8"x20 1/4" (16x86x514)

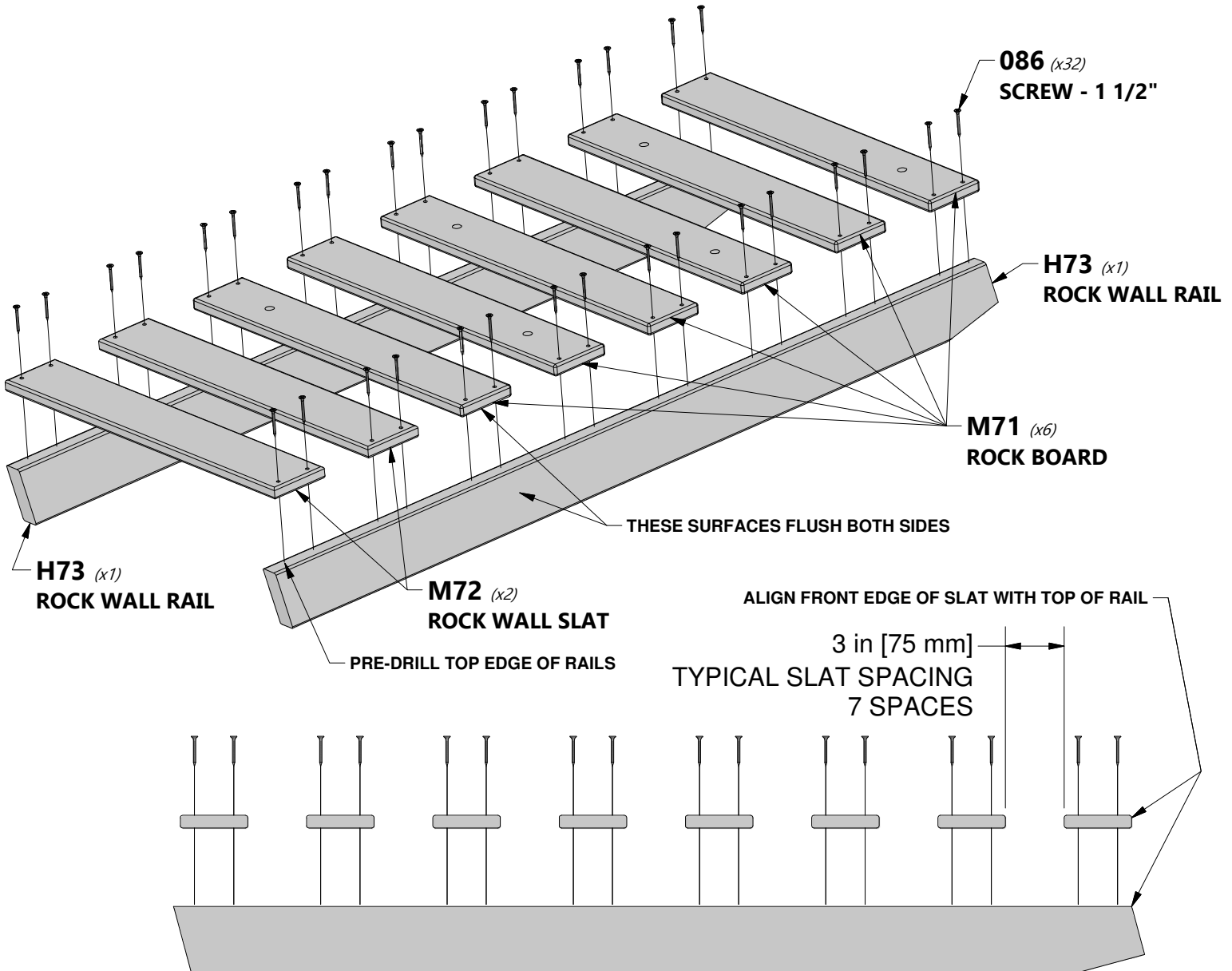
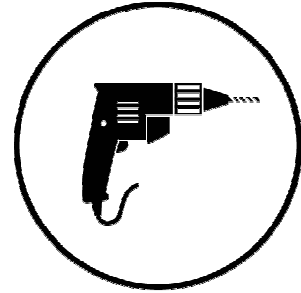
H73 | ROCK WALL RAIL - W4L13119
(2) | 1"x3 3/8"x48 3/4" (24x86x1238)

H100086 | SCREW PFH
(32) | 8x1 1/2



NOTE:

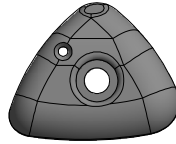
1. Assemble slats to rails as shown.
2. Note orientation of slats, be sure to arrange as shown.
3. See drawing below for slat spacing on rails.
4. Using slats as a guide, pre-drill top edges of rails with a 1/8" drill bit. Failure to pre-drill may result in board splitting.





ROCK LADDER ASSEMBLY

STEP 2



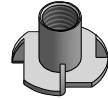
A100060 | CLIMBING ROCK GREEN SMALL
(6)



H100088 | SCREW PFH
(6) | 8x1 1/8



H100001 | BOLT FA
(6) | 3/8x1 1/2

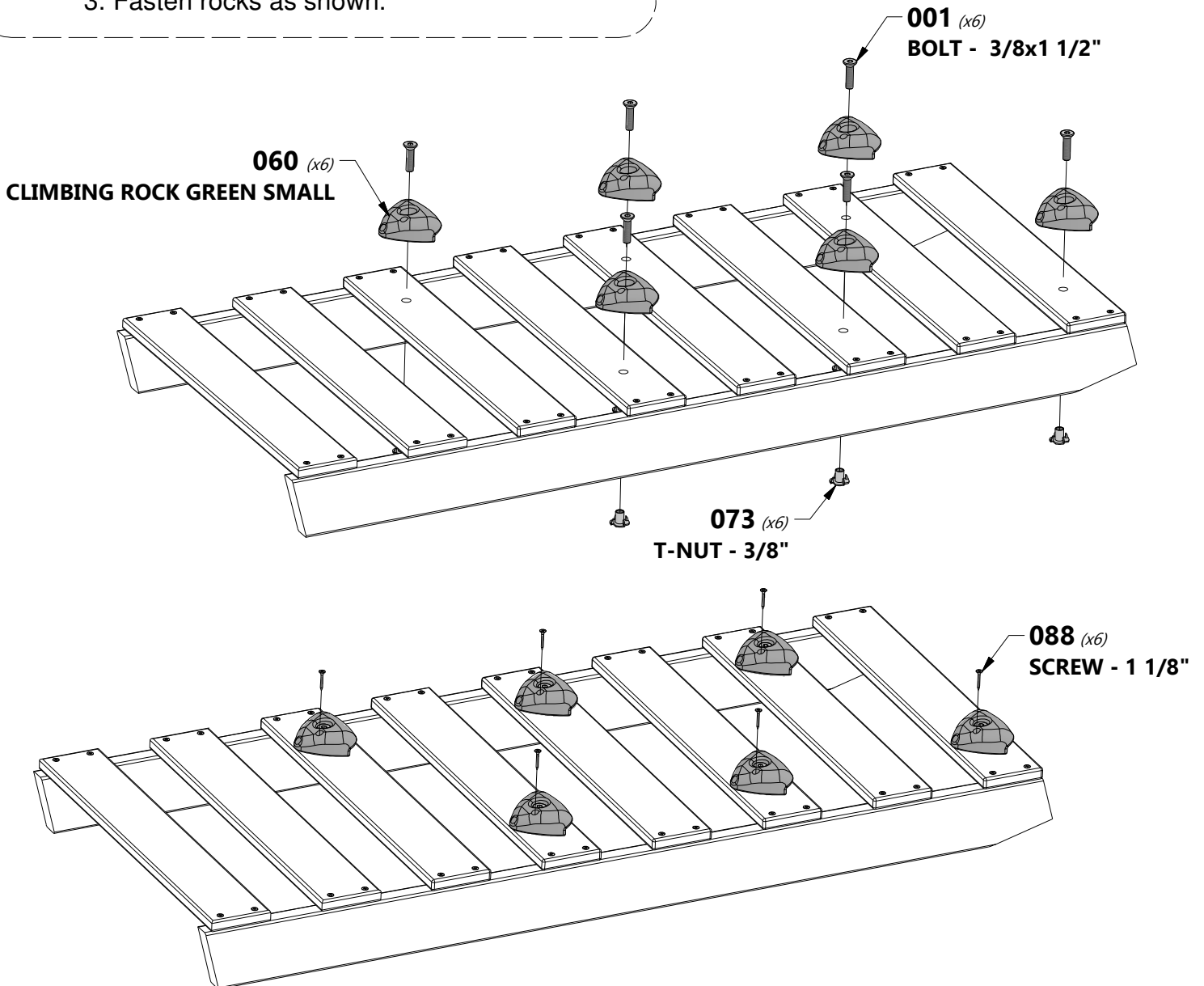


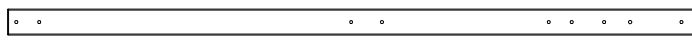
H100073 | T-NUT
(6) | 3/8



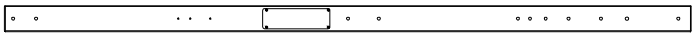
NOTE:

1. Install T-nuts before attaching rocks.
2. Orient top edge of rocks with top edge of slats.
3. Fasten rocks as shown.





E2 | FORT UPRIGHT - W4L13103
(1) | 1 3/8"x3 3/8"x89 1/2" (36x86x2273)



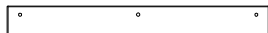
E3 | FORT UPRIGHT - W2A03069
(1) | 1 7/16"x3 3/8"x89 1/2" (36x86x2273)



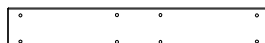
G1 | GROUND BOARD - W4L13107
(1) | 1"x5 1/4"x59 1/2" (24x134x1511)



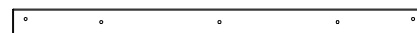
H2 | FLOOR JOIST - W4L13110
(1) | 1"x3 3/8"x34 1/8" (24x86x868)



K4 | WALL RAIL - W4L13126
(1) | 5/8"x5 1/4"x34 1/8" (16x134x868)



G2 | SWING BEAM SUPPORT - W4L13108
(1) | 1"x5 1/4"x34 1/8" (24x134x868)



H1 | ROOF CROSS BRACE - W4L13110
(1) | 1"x3 3/8"x53 7/8" (24x86x1368)



N1 | WALL RAIL - W4L13422
(1) | 5/8"x1 1/8"x34 1/8" (16x30x868)



H100012 | BOLT WH
(10) | 5/16x2



H100010 | BOLT WH
(4) | 5/16x1-1/2



H100027 | LAG SCREW WH
(2) | 5/16x2



H100089 | SCREW PFH
(2) | 8x1 3/4



H100030 | WASHER LOCK EXT
(16) | 8x19



H100031 | WASHER LOCK EXT
(14) | 12x19

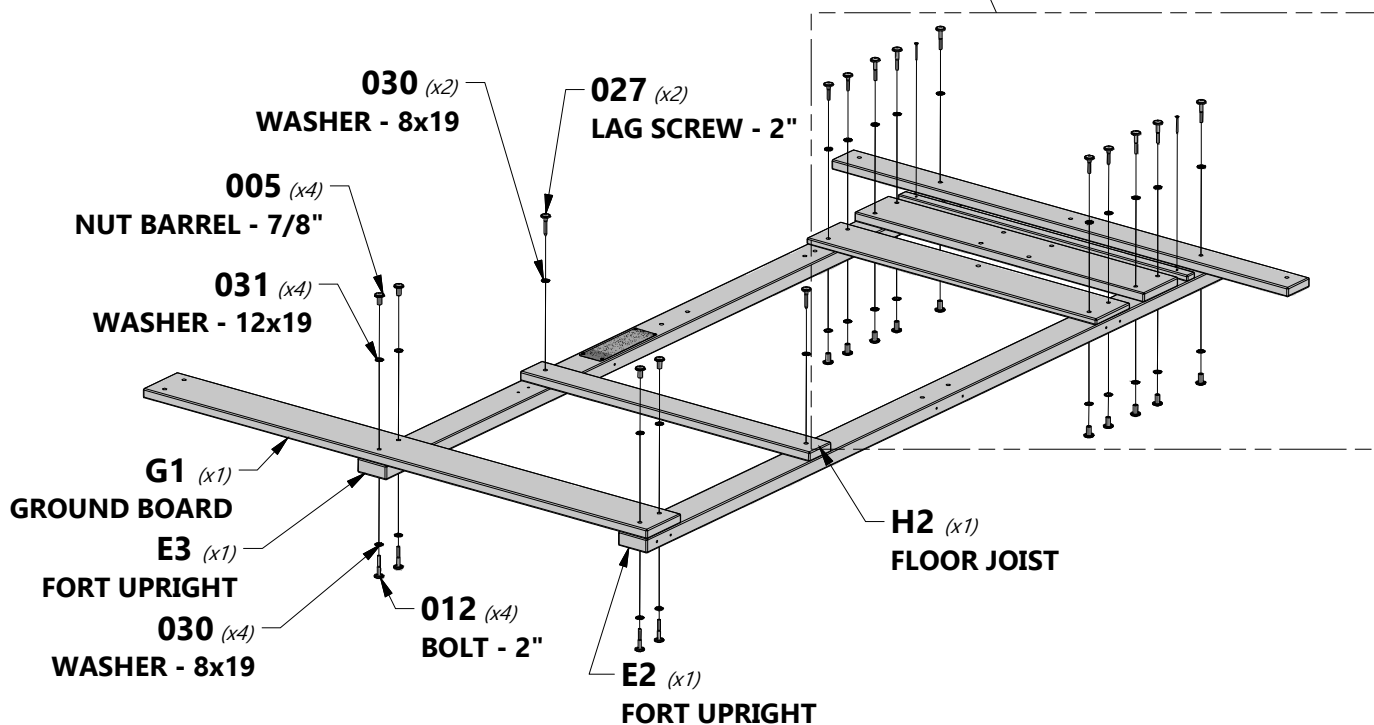
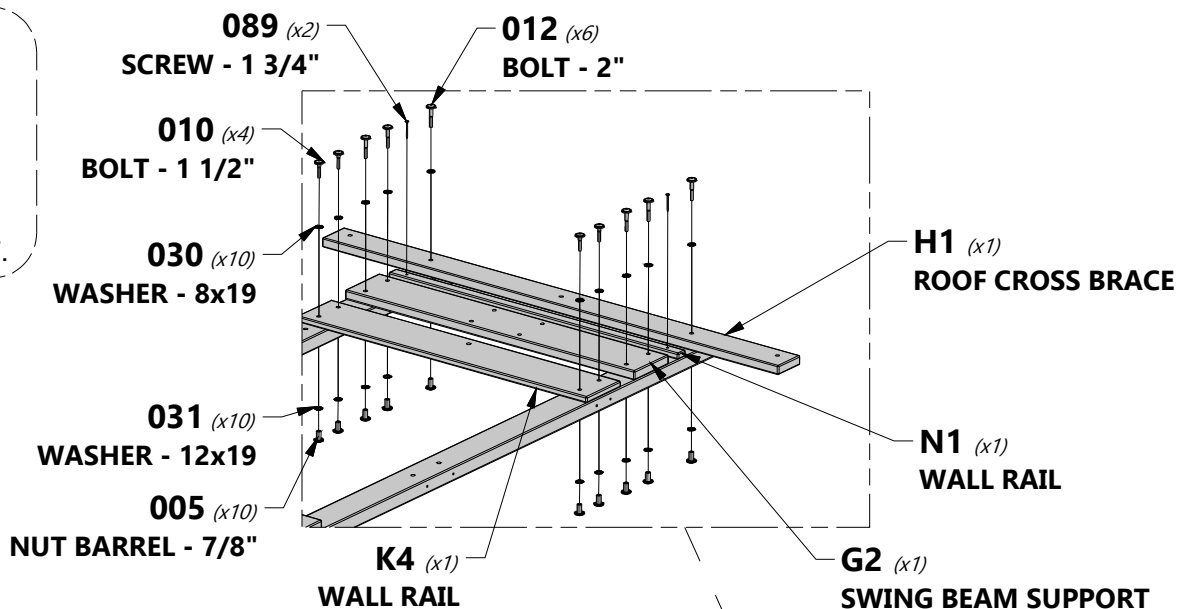


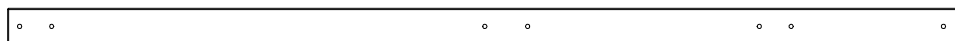
H100005 | NUT BARREL WH
(14) | 5/16x7/8



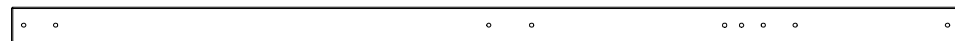
TIP:

FOR EASE OF ASSEMBLY WE RECOMMEND USING SAW HORSES TO ASSEMBLE FORT.





E1 | FORT UPRIGHT - W4L13102
(1) | 1 3/8"x3 3/8"x89 1/2" (36x86x2273)



E4 | FORT UPRIGHT - W4L13553
(1) | 1 3/8"x3 3/8"x89 1/2" (36x86x2273)



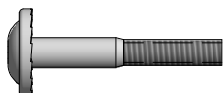
G1 | GROUND BOARD - W4L13107
(1) | 1"x5 1/4"x59 1/2" (24x134x1511)



K3 | ARCHED WALL RAIL - W4L13125
(1) | 5/8"x5 1/4"x34 1/8" (16x134x868)



H1 | ROOF CROSS BRACE - W4L13110
(1) | 1"x3 3/8"x53 7/8" (24x86x1368)



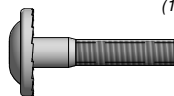
H100012 | BOLT WH
(6) | 5/16x2



H100030 | WASHER LOCK EXT
(10) | 8x19



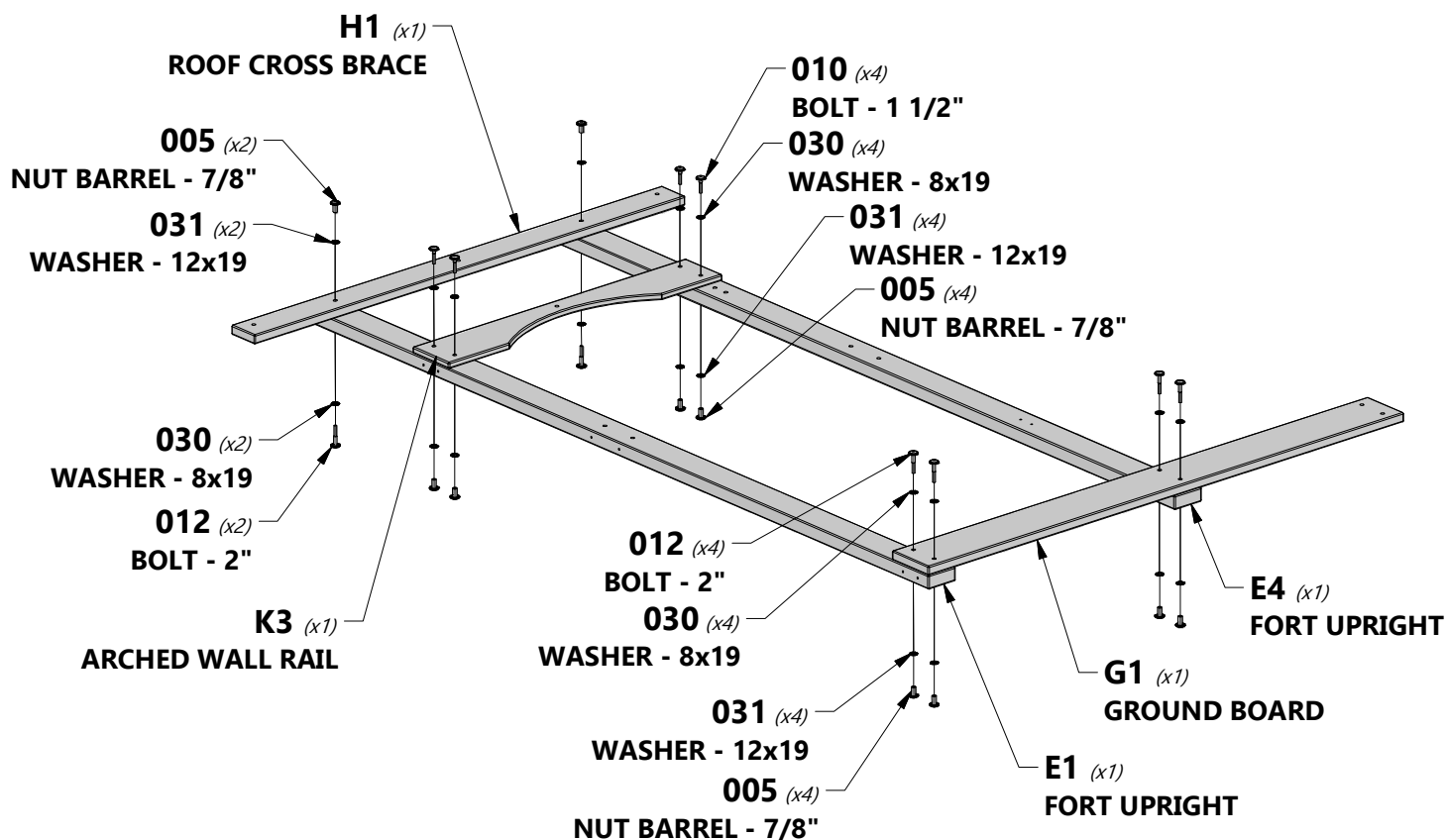
H100005 | NUT BARREL WH
(10) | 5/16x7/8



H100010 | BOLT WH
(4) | 5/16x1-1/2



H100031 | WASHER LOCK EXT
(10) | 12x19





H2 | FLOOR JOIST - W4L13111
(1) | 1"x3 3/8"x34 1/8" (24x86x868)



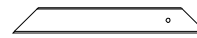
H4 | FLOOR BRACE - W4L13112
(1) | 1"x3 3/8"x34 1/8" (24x86x868)



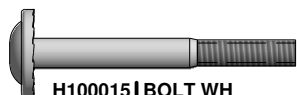
H10 | FLOOR BRACE - W4L13118
(4) | 1"x3 3/8"x3 3/8" (24x86x86)



H11 | FLOOR JOIST - W4L13527
(1) | 1"x3 3/8"x34 1/8" (24x86x868)



F1 | ANGLE BRACE - W4L13105
(2) | 1 3/8"x2 3/8"x18 1/8" (36x60x460)



H100015 | BOLT WH
(4) | 5/16x2 3/4



H100013 | BOLT WH
(2) | 5/16x2 1/4



H100031 | WASHER LOCK EXT
(4) | 12x19



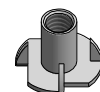
H100027 | LAG SCREW WH
(2) | 5/16x2



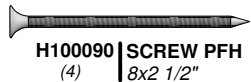
H100030 | WASHER LOCK EXT
(8) | 8x19



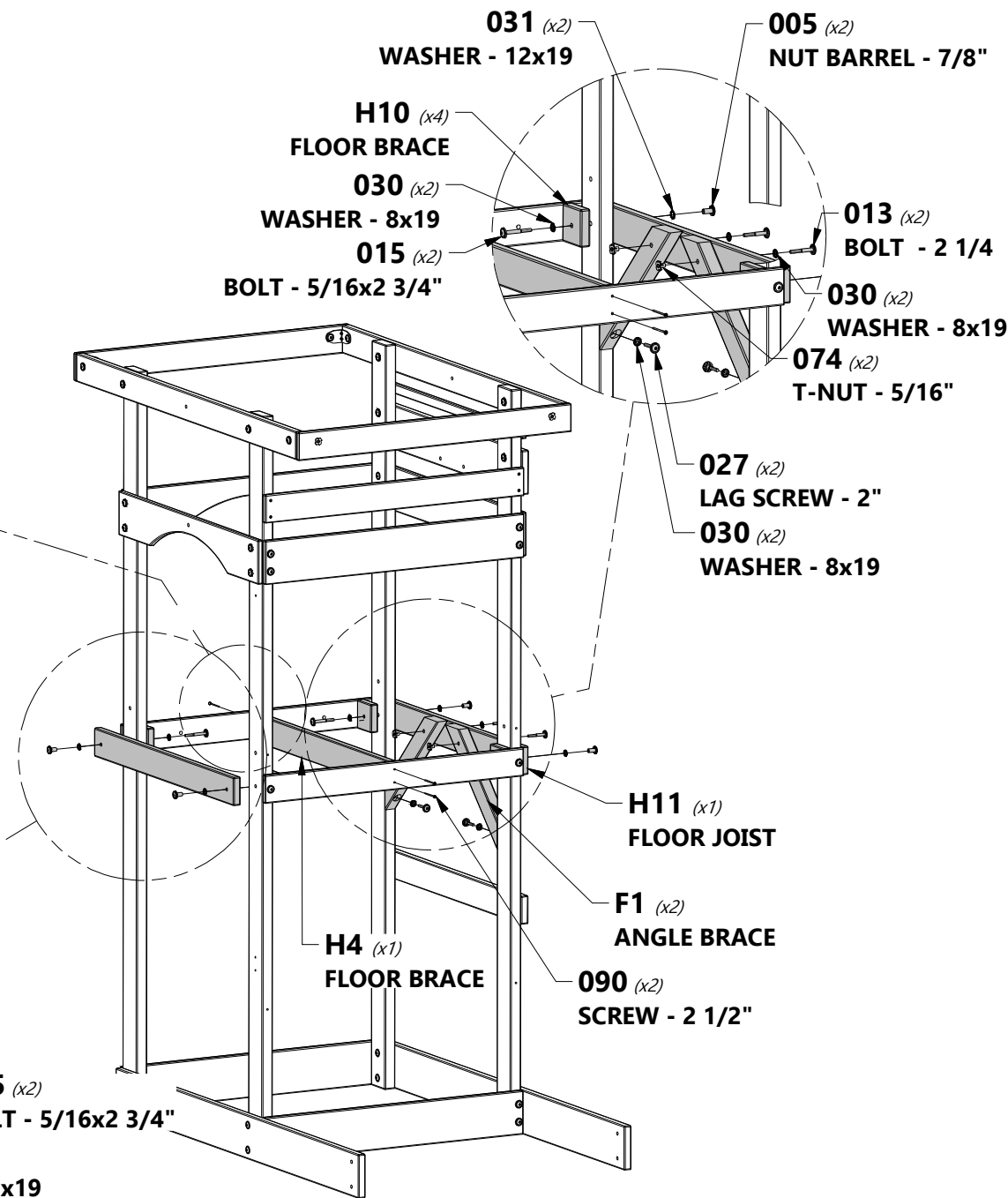
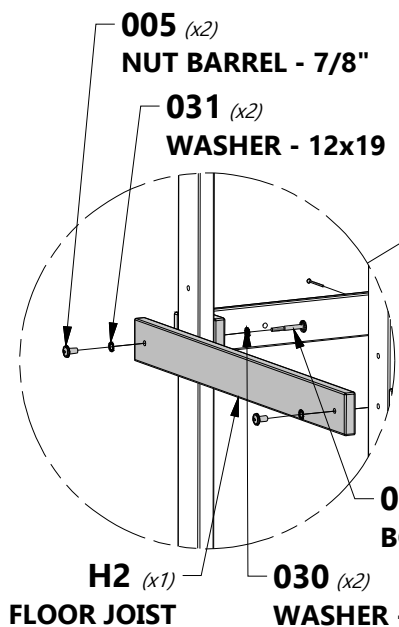
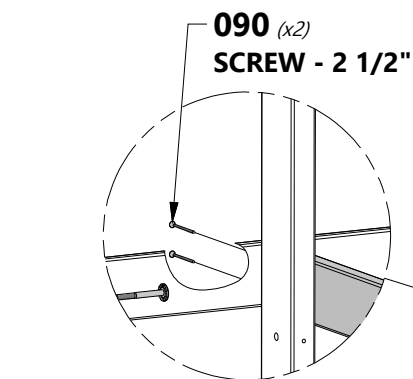
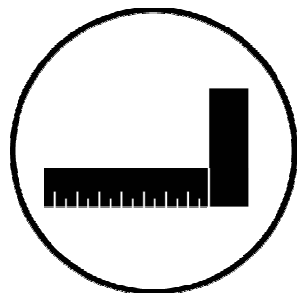
H100005 | NUT BARREL WH
(4) | 5/16x7/8



H100074 | T-NUT
(2) | 5/16

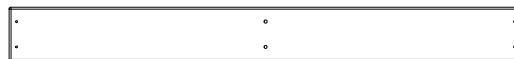


H100090 | SCREW PFH
(4) | 8x2 1/2"





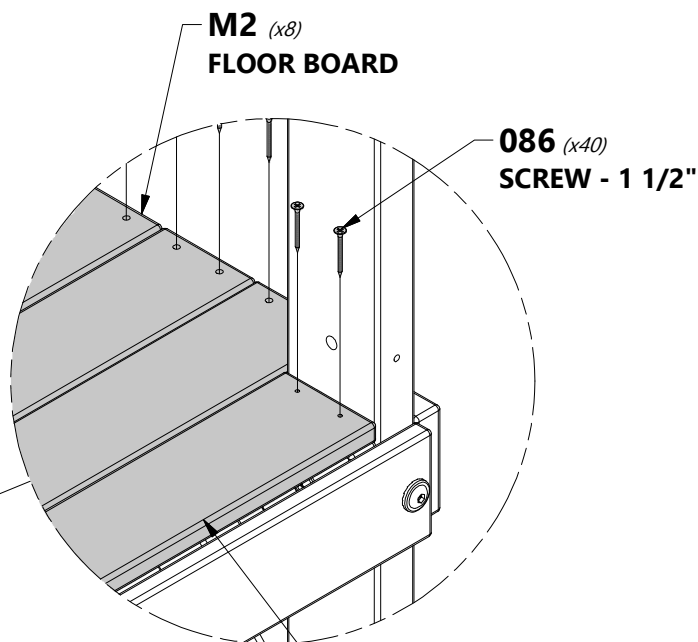
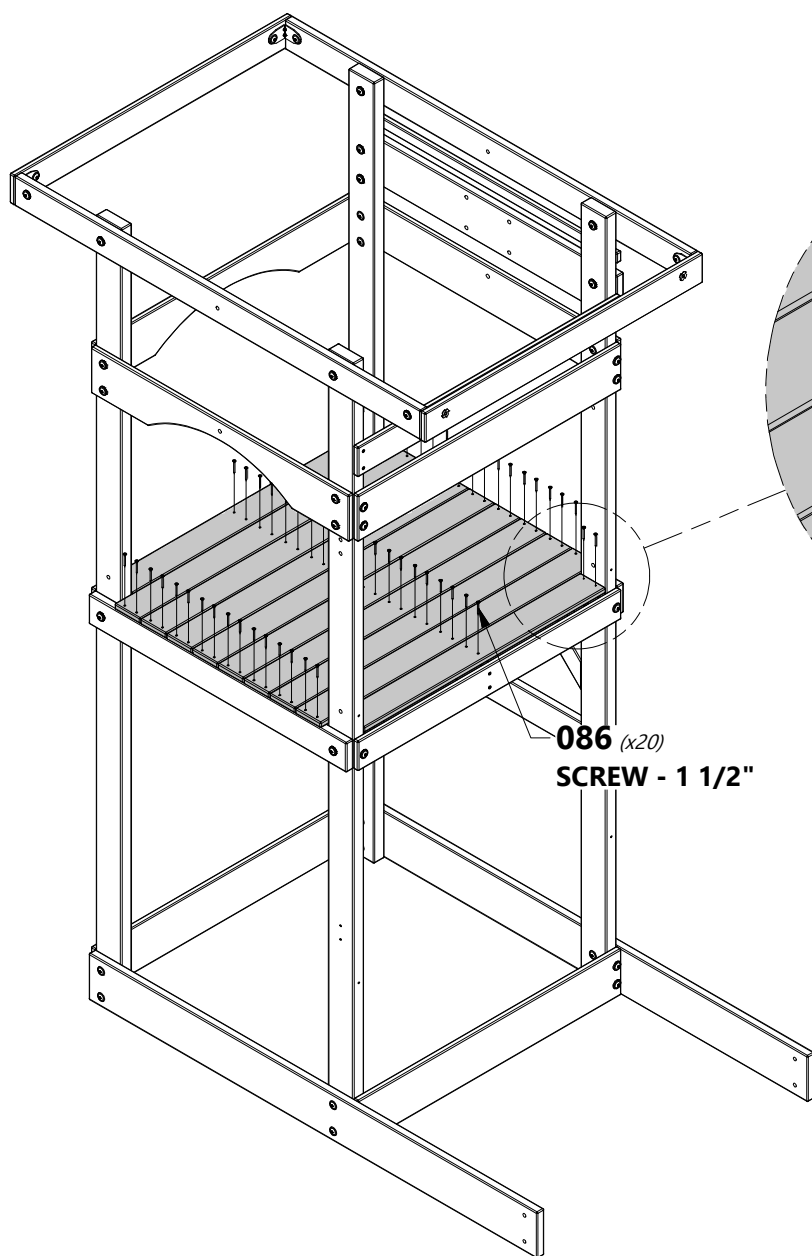
M2 | FLOOR BOARD - W4L13128
(8) | 5/8"x3 3/8"x36 3/4" (16x86x935)



M7 | FLOOR BOARD - W4L13133
(2) | 5/8"x3 3/8"x32 1/8" (16x86x815)



H100086 | SCREW PFH
(60) | 8x1 1/2

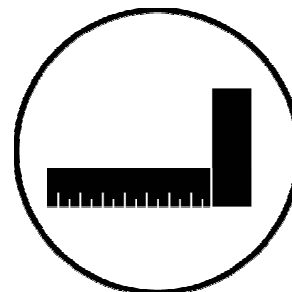


M2 (x8)
FLOOR BOARD

086 (x40)
SCREW - 1 1/2"

M7 (x2)
FLOOR BOARD

086 (x20)
SCREW - 1 1/2"

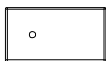




H2 | FLOOR JOIST - W4L13111
(1) | 1"x3 3/8"x34 1/8" (24x86x868)



M6 | WALL RAIL - W4L13132
(1) | 5/8"x3 3/8"x34 7/8" (16x86x887)



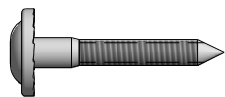
M10 | WALL RAIL - W4L13136
(2) | 5/8"x3 3/8"x6 1/4" (16x86x160)



M11 | WALL RAIL - W4L13137
(2) | 5/8"x3 3/8"x4 3/4" (16x86x122)



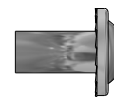
H100012 | BOLT WH
(2) | 5/16x2



H100027 | LAG SCREW WH
(4) | 5/16x2



H100030 | WASHER LOCK EXT
(8) | 8x19



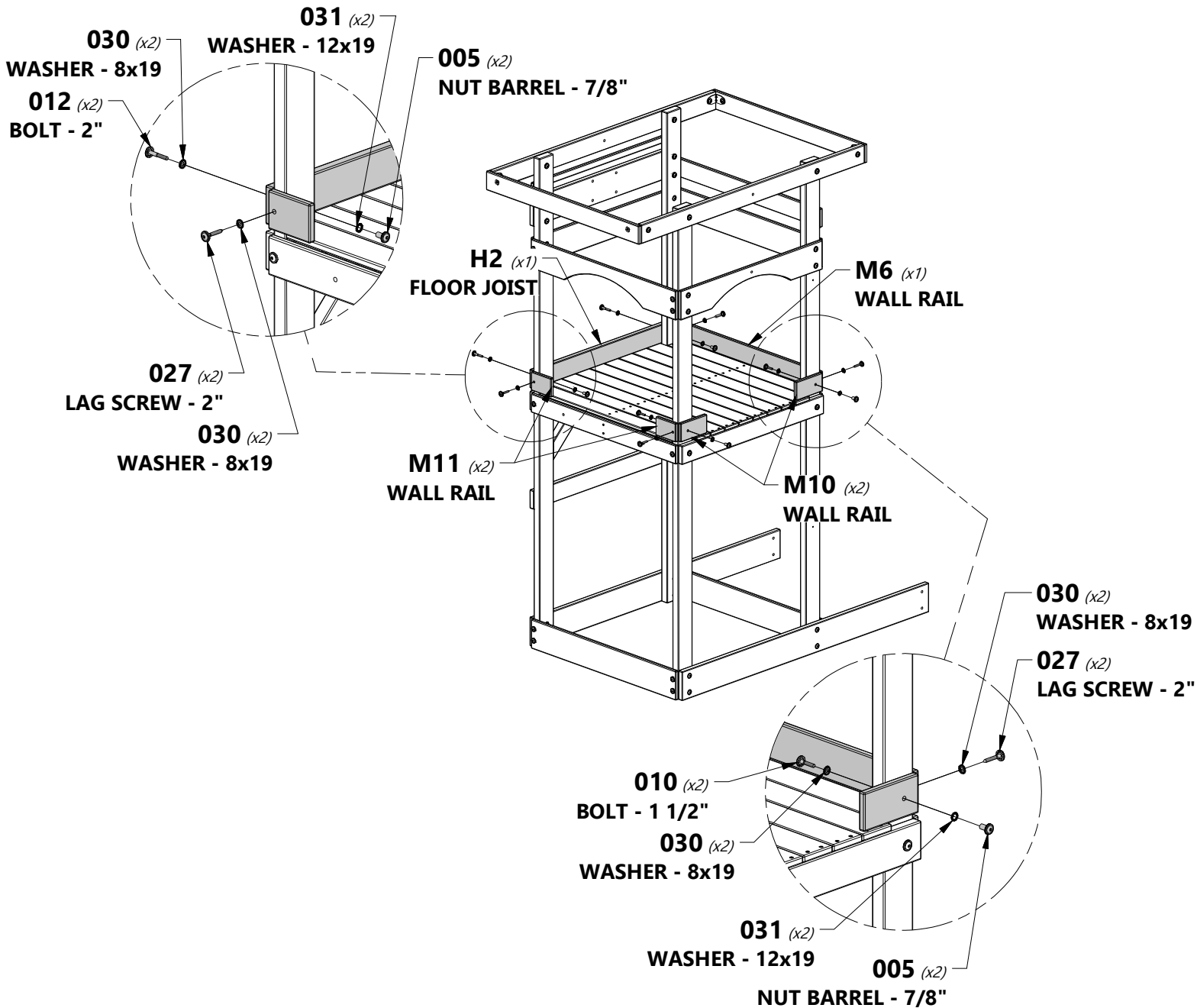
H100005 | NUT BARREL WH
(4) | 5/16x7/8



H100010 | BOLT WH
(2) | 5/16x1-1/2

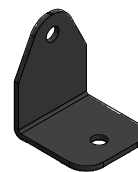


H100031 | WASHER LOCK EXT
(4) | 12x19





H6 | WALL SLAT - W4L13114
(2) | 1"x3 3/8"x25 1/2" (24x86x648)



A100053 | L BRACKET 54x67 - GRN
(2)



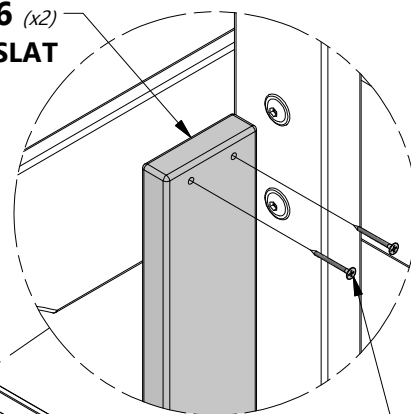
H100086 | SCREW PFH
(8) | 8x1 1/2



H100083 | SCREW TAPPING
(4) | 14x3/4

REPEAT FOR OTHER SIDE

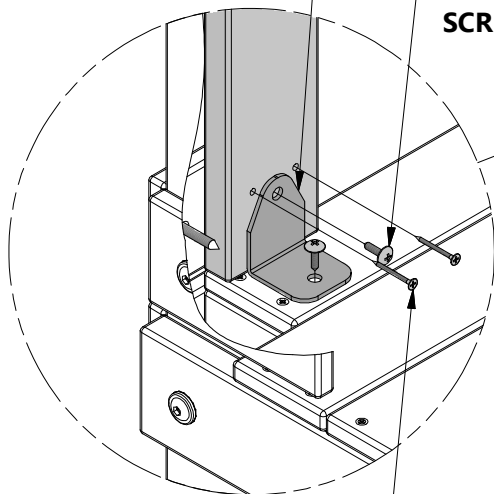
H6 (x2)
WALL SLAT



086 (x4)
SCREW - 1 1/2"

053 (x2)
L BRACKET 54x67 - GRN

083 (x4)
SCREW - 14x3/4"



086 (x4)
SCREW - 1 1/2"

REPEAT FOR OTHER SIDE



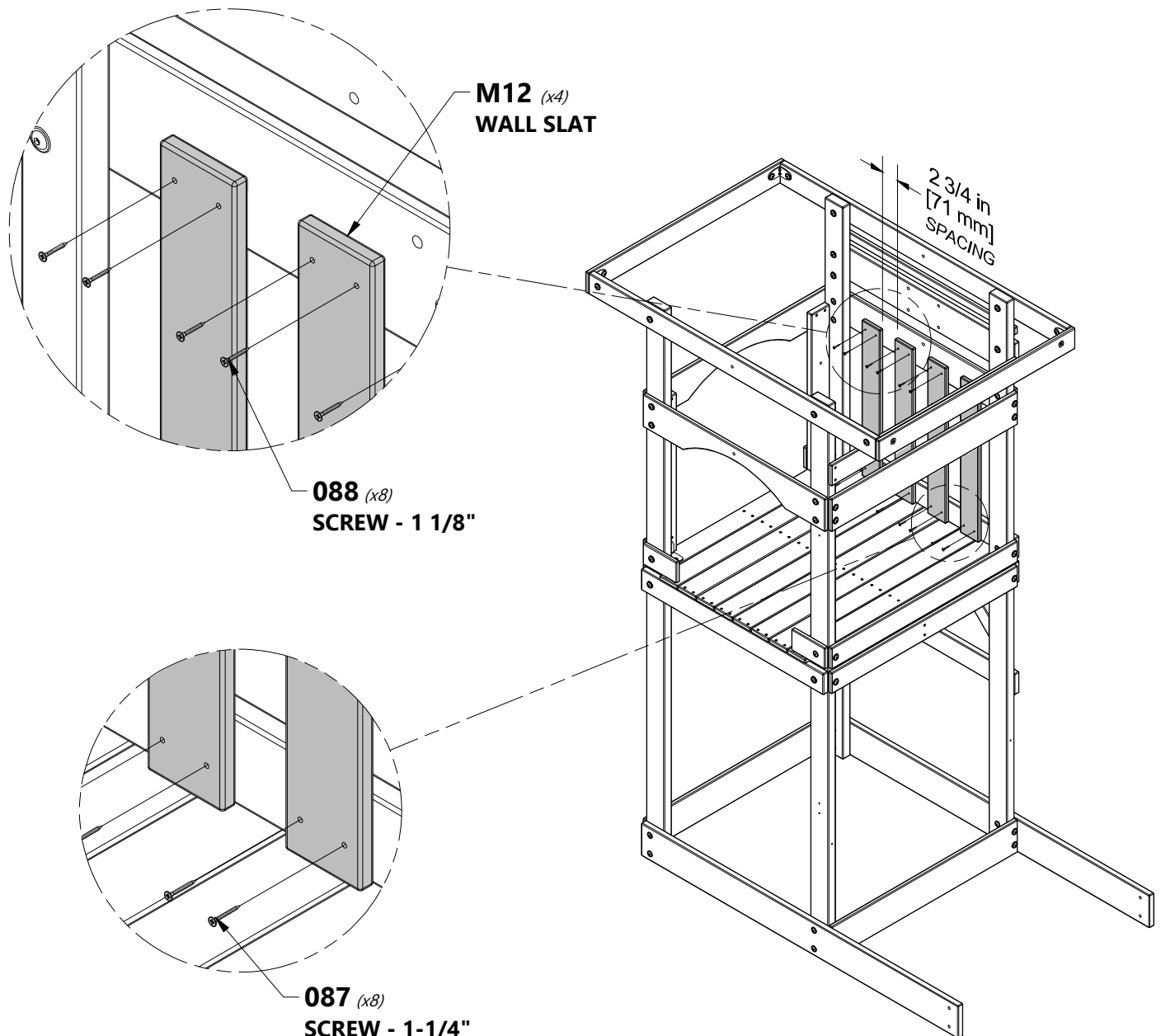
M12 | WALL SLAT - W4L13138
(4) | 5/8"x3 3/8"x25 1/4" (16x86x640)



H100088 | SCREW PFH
(8) | 8x1 1/8"



H100087 | SCREW PFH
(8) | 8x1 1/4"

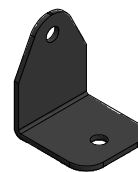




M12 | WALL SLAT - W4L13138
(5) | 5/8"x3 3/8"x25 1/4" (16x86x640)



J1 | WALL SLAT - W4L13122
(2) | 1"x2 3/8"x25 1/2" (24x60x648)



A100053 | L BRACKET 54x67 - GRN
(2)



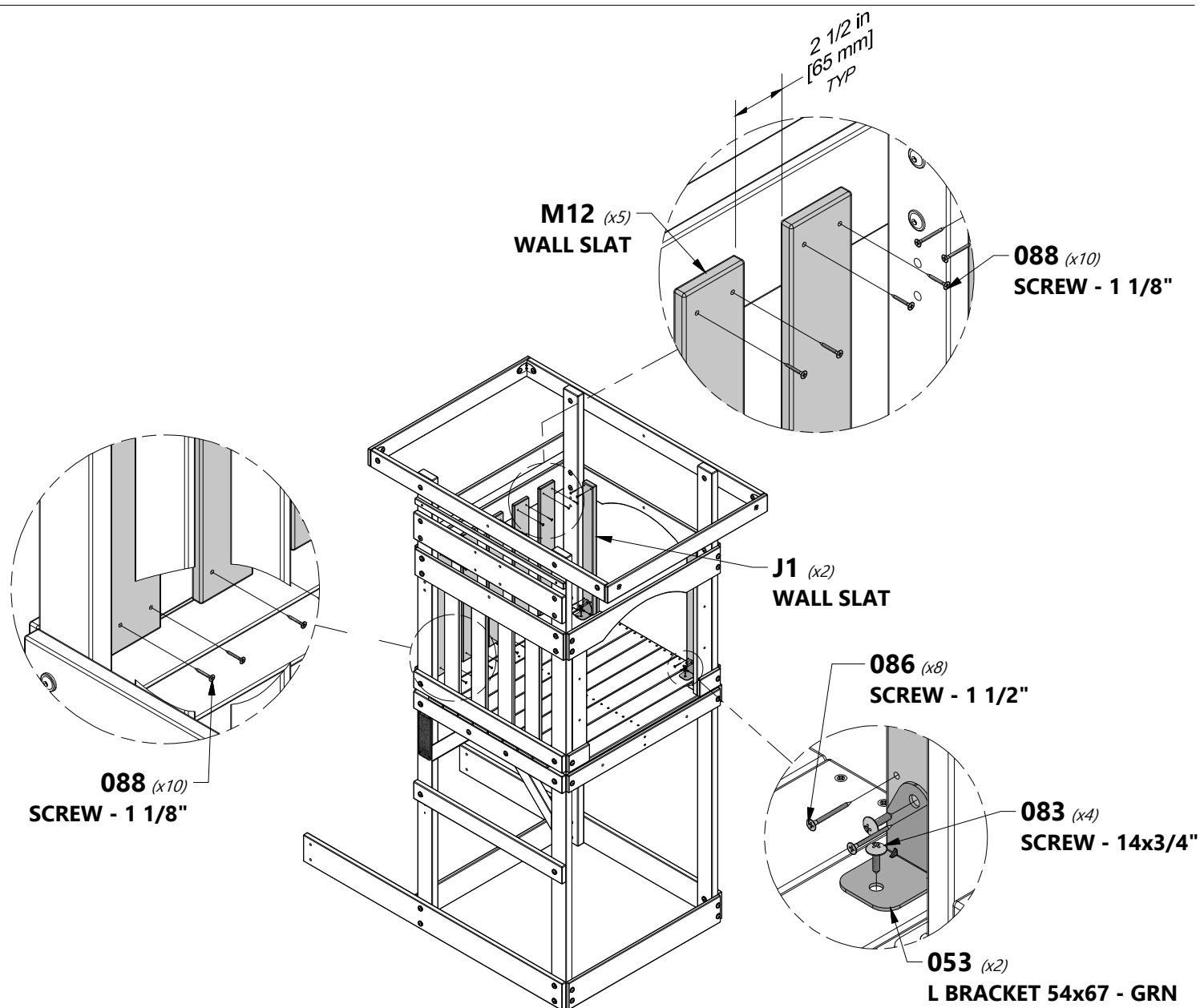
H100088 | SCREW PFH
(20) | 8x1 1/8"



H100086 | SCREW PFH
(8) | 8x1 1/2"

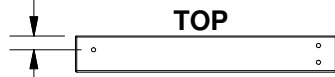


H100083 | SCREW TAPPING
(4) | 14x3/4"





1 1/4 in
[33 mm]



H5 | PICNIC TARP SUPPORT - W4L13554
(2) | 1"x3 3/8"x24 1/2" (24x86x622)



M3 | TARP SUPPORT - W4L13129
(1) | 5/8"x3 3/8"x36 3/4" (16x86x935)



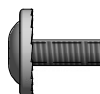
A4M01046 | L BRACKET 2.5x38x55x55
(2)



H100012 | BOLT WH
(4) | 5/16x2



H100031 | WASHER LOCK EXT
(6) | 12x19



H100222 | BOLT WH
(2) | 5/16x3/4



H100115 | BOLT WH
(2) | 5/16x1/2



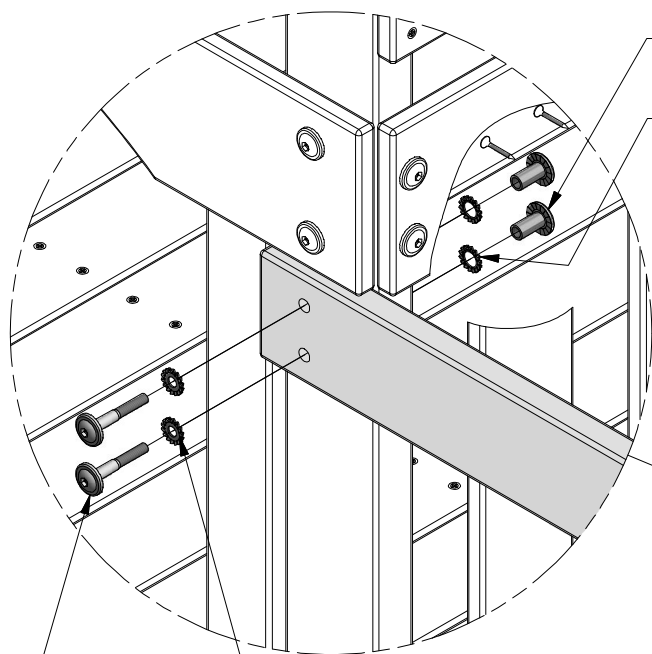
H100030 | WASHER LOCK EXT
(4) | 8x19



H100005 | NUT BARREL WH
(6) | 5/16x7/8



H100074 | T-NUT
(2) | 5/16



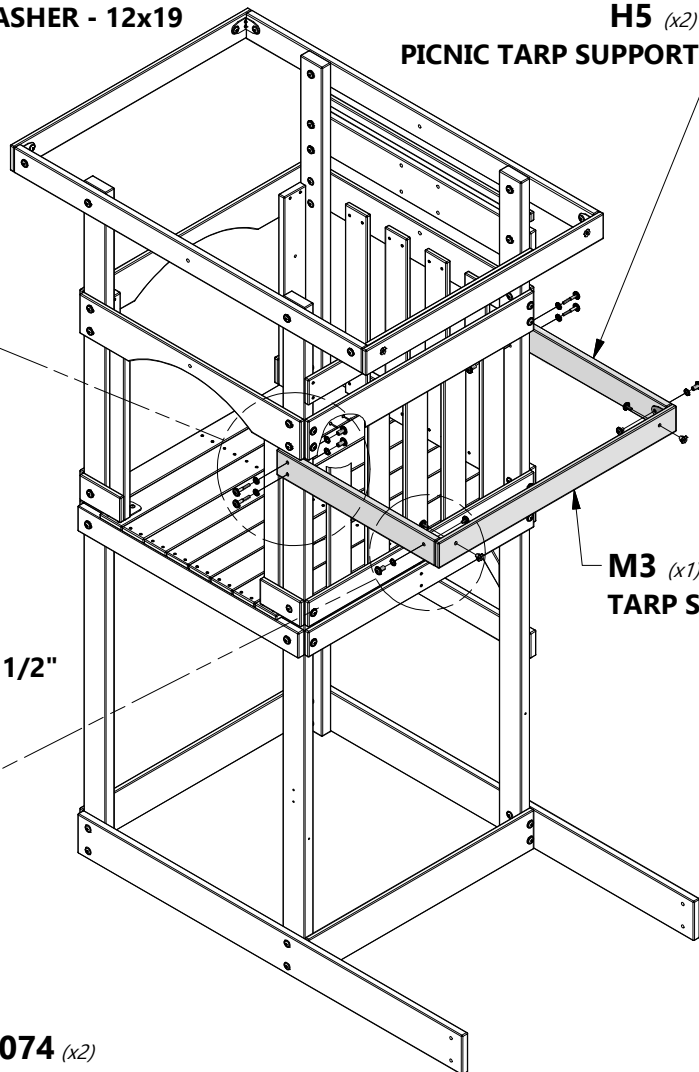
012 (x4)
BOLT - 2"

030 (x4)
WASHER - 8x19

005 (x4)
NUT BARREL - 7/8"

031 (x4)
WASHER - 12x19

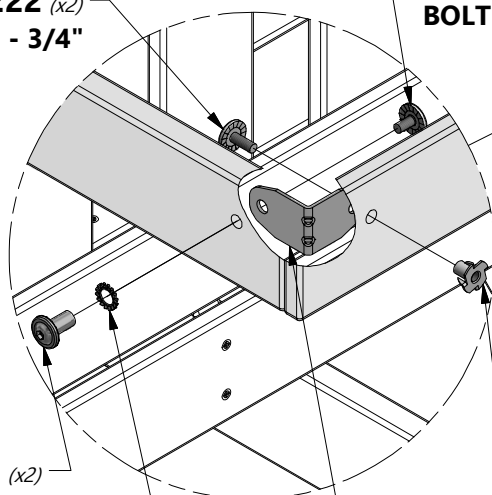
H5 (x2)
PICNIC TARP SUPPORT



M3 (x1)
TARP SUPPORT

222 (x2)
BOLT - 3/4"

115 (x2)
BOLT - 1/2"



074 (x2)
T-NUT - 5/16"

005 (x2)
NUT BARREL - 7/8"

046 (x2)
L BRACKET 2.5x38x55x55

031 (x2)
WASHER - 12x19



F2 | ANGLE BRACE - W4L13106
(2) | 1 3/8"x2 3/8"x12 1/4" (36x60x310)

H8 | PICNIC SUPPORT - W4L13116
(2) | 1"x3 3/8"x13 1/2" (24x86x344)

M8 | PICNIC CLEAT - W4L13134
(1) | 5/8"x3 3/8"x10 1/8" (16x86x258)



M2 | FLOOR BOARD - W4L13128
(3) | 5/8"x3 3/8"x36 3/4" (16x86x935)



H100013 | BOLT WH
(2) | 5/16x2 1/4



H100027 | LAG SCREW WH
(6) | 5/16x2



H100030 | WASHER LOCK EXT
(8) | 8x19



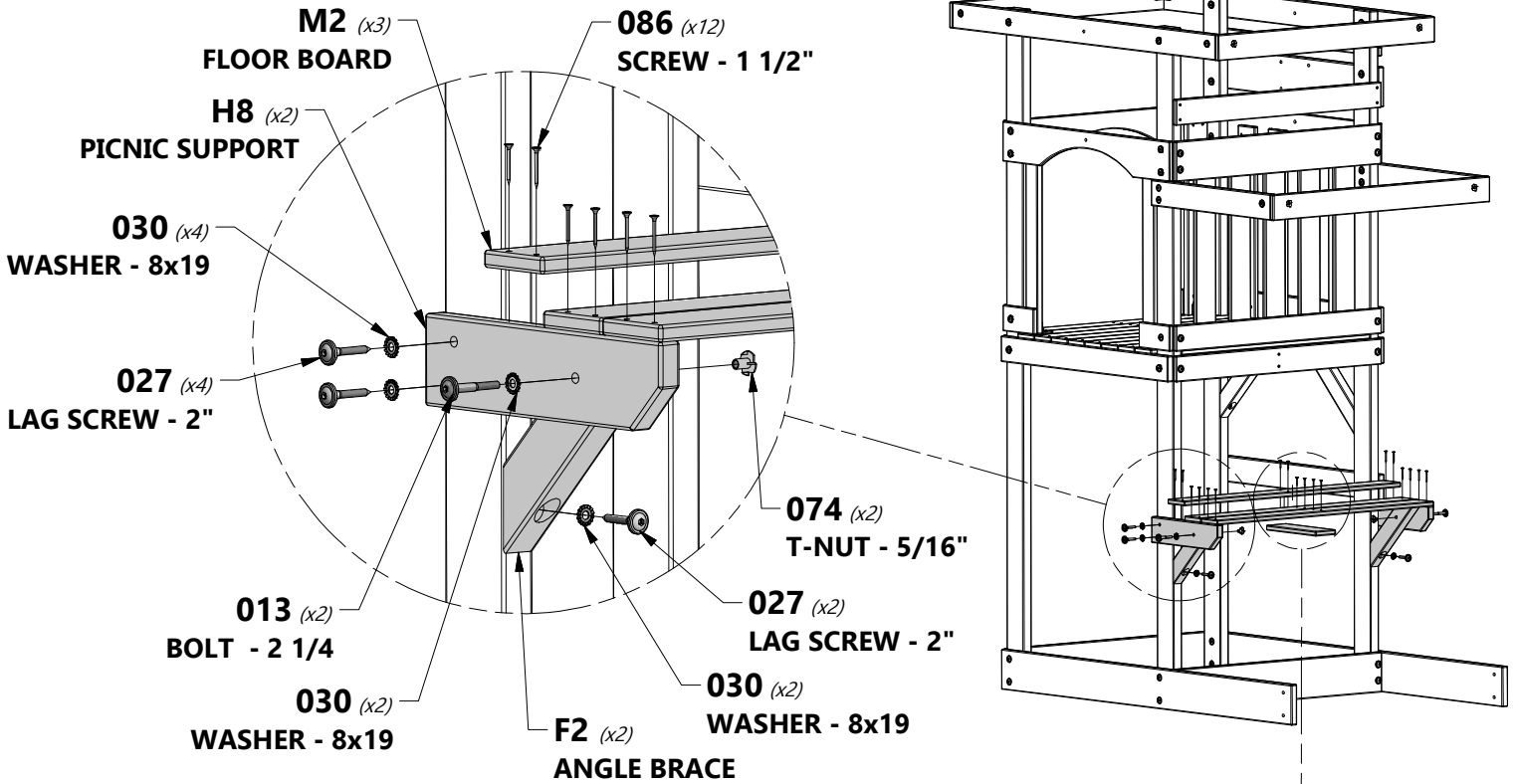
H100088 | SCREW PFH
(6) | 8x1 1/8



H100086 | SCREW PFH
(12) | 8x1 1/2



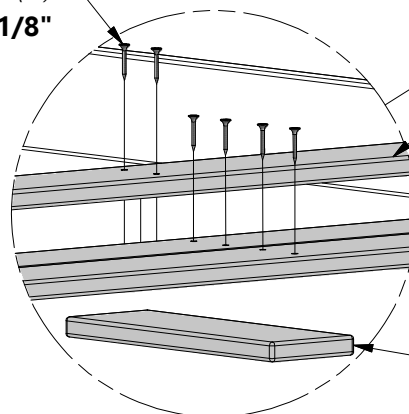
H100074 | T-NUT
(2) | 5/16



TIP:

WE RECOMMEND INSTALLING T-NUTS INTO BOARDS BEFORE ASSEMBLY.

088 (x6)
SCREW - 1 1/8"



M2
FLOOR BOARD

M8 (x1)
PICNIC CLEAT



G3 | PICNIC SUPPORT - W4L13109
 (2) | 1"x5 1/4"x5 1/4" (24x134x134)

H9 | PICNIC SUPPORT - W4L13117
 (2) | 1"x3 3/8"x6 3/4" (24x86x172)

H7 | PICNIC SUPPORT - W4L13115
 (2) | 1"x3 3/8"x15 1/4" (24x86x387)

M2 | FLOOR BOARD - W4L13128
 (2) | 5/8"x3 3/8"x36 3/4" (16x86x935)

M9 | PICNIC CLEAT - W4L13135
 (1) | 5/8"x3 3/8"x6 3/4" (16x86x172)

H100088 | SCREW PFH
 (4) | 8x1 1/8

H100086 | SCREW PFH
 (8) | 8x1 1/2

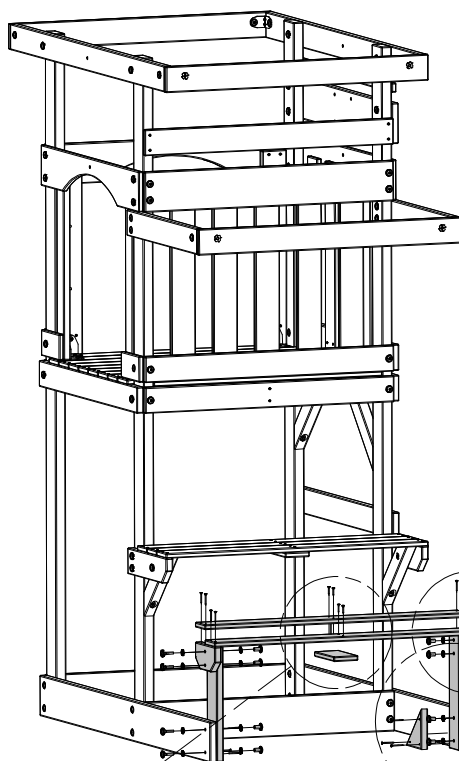
H100030 | WASHER LOCK EXT
 (8) | 8x19

H100005 | NUT BARREL WH
 (8) | 5/16x7/8

H100010 | BOLT WH
 (8) | 5/16x1-1/2

H100089 | SCREW PFH
 (6) | 8x1 3/4

H100031 | WASHER LOCK EXT
 (8) | 12x19



086 (x8)
 SCREW - 1 1/2"

M2 (x2)
 FLOOR BOARD

H9 (x2)
 PICNIC SUPPORT

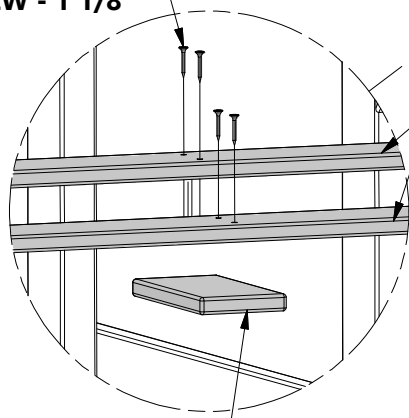
010 (x4)
 BOLT - 1 1/2"

030 (x4)
 WASHER - 8x19

031 (x4)
 WASHER - 12x19

005 (x4)
 NUT BARREL - 7/8"

088 (x4)
 SCREW - 1 1/8"



M9 (x1)
 PICNIC CLEAT

M2
 FLOOR BOARD

089 (x6)
 SCREW - 1 3/4"

G3 (x2)
 PICNIC SUPPORT

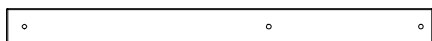
005 (x4)
 NUT BARREL - 7/8"

H7 (x2)
 PICNIC SUPPORT

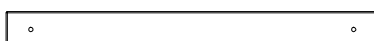
010 (x4)
 BOLT - 1 1/2"

030 (x4)
 WASHER - 8x19

031 (x4)
 WASHER - 12x19



M1 | TARP SUPPORT - W4L13127
(2) | 5/8"x3 3/8"x40" (16x86x1016)



M4 | FLOOR/TARP SUPPORT - W4L13130
(1) | 5/8"x3 3/8"x34 7/8" (16x86x887)



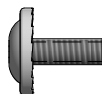
A4M01046 | L BRACKET 2.5x38x55x55
(2)



H100008 | BOLT WH
(4) | 5/16x1



H100030 | WASHER LOCK EXT
(4) | 8x19



H100222 | BOLT WH
(2) | 5/16x3/4



H100005 | NUT BARREL WH
(2) | 5/16x7/8



H100074 | T-NUT
(2) | 5/16



H100115 | BOLT WH
(2) | 5/16x1/2



H100031 | WASHER LOCK EXT
(6) | 12x19



H100004 | NUT BARREL WH
(4) | 5/16 x 5/8

030 (x2)
WASHER - 8x19

008 (x2)
BOLT - 5/16x1"

074 (x2)
T-NUT - 5/16"

M4 (x1)
FLOOR/TARP SUPPORT

M1 (x2)
TARP SUPPORT

004 (x2)
NUT BARREL - 5/8"

031 (x2)
005 (x2)
WASHER - 12x19
NUT BARREL - 7/8"

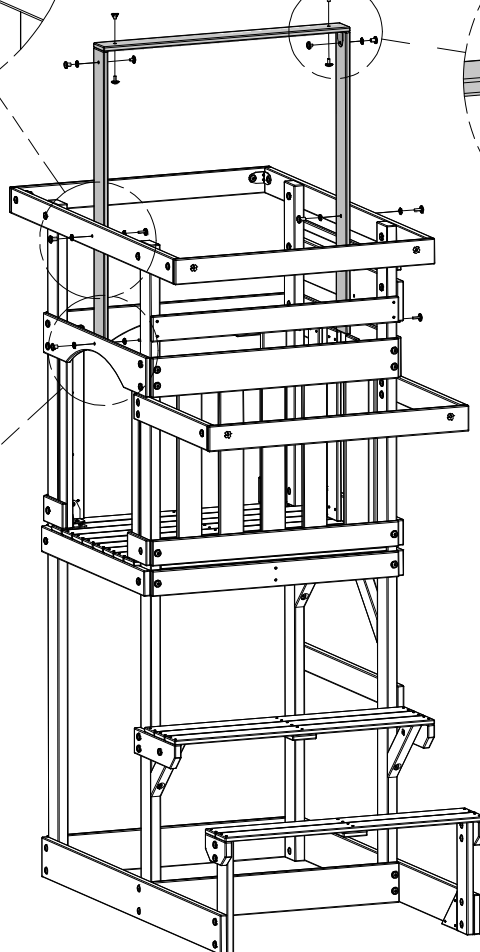
031 (x2)
WASHER - 12x19

222 (x2)
BOLT - 3/4"

115 (x2)
BOLT - 1/2"

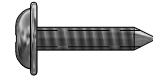
008 (x2)
BOLT - 5/16x1"
030 (x2)
WASHER - 8x19

031 (x2)
WASHER - 12x19
004 (x2)
NUT BARREL - 5/8"

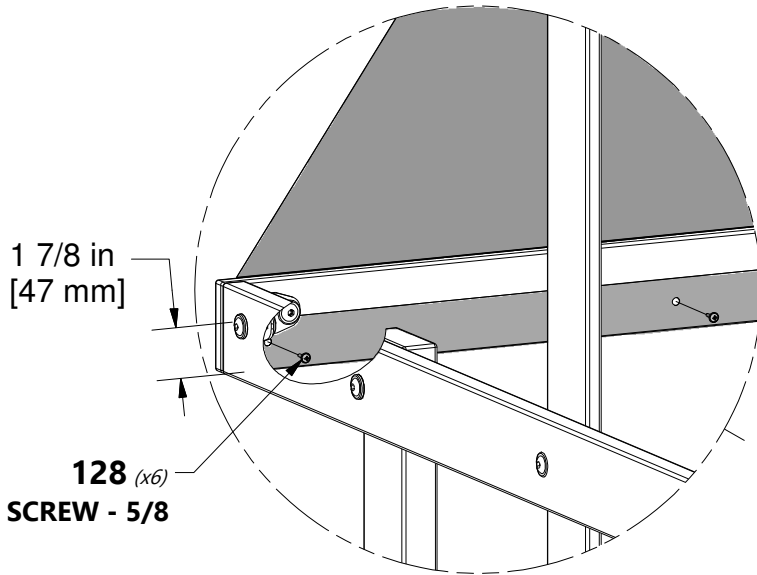




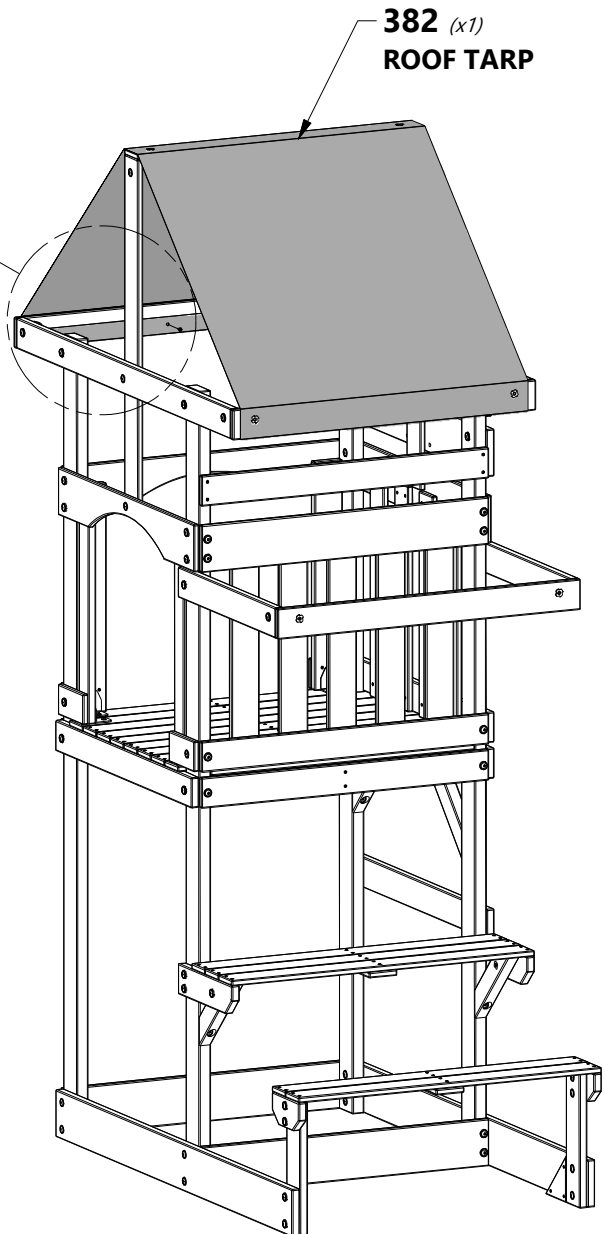
A6P00382 | ROOF TARP
(1)



H100128 | SCREW PWH
(6) | 8x5/8



REPEAT FOR OTHER SIDE

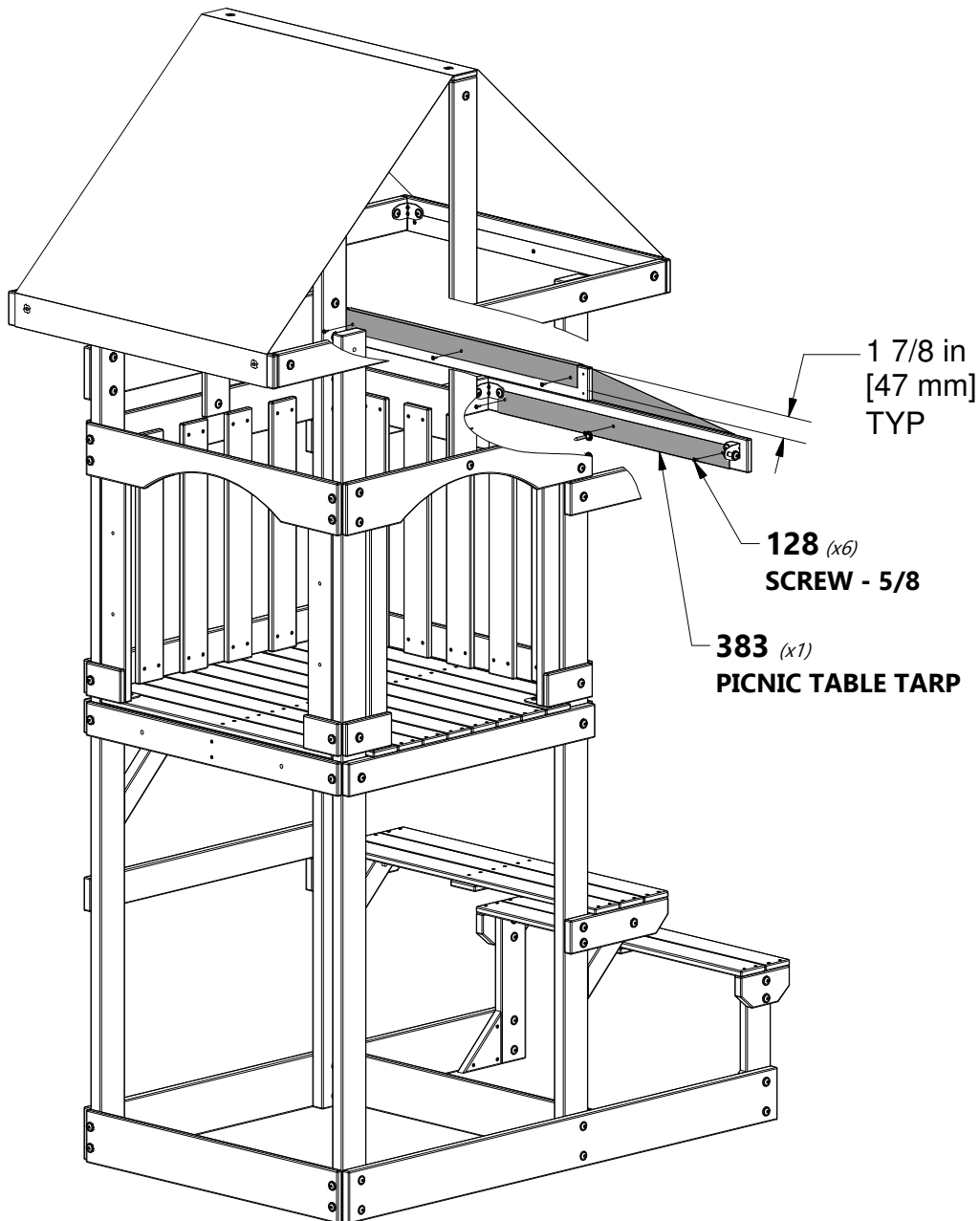




A6P00383 | PICNIC TABLE TARP
(1)



H100128 | SCREW PWH
(6) | 8x5/8





A100028 | **HAND GRIP GREEN PLASTIC**
(2)



H100062 | **BOLT PTH**
(4) | 1/4x1 1/4



H100108 | **WASHER LOCK INT**
(4) | 8x15

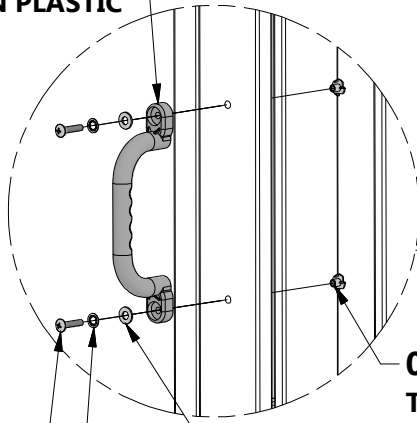


H100106 | **WASHER FLAT**
(4) | 9x18



H100072 | **T-NUT**
(4) | 1/4

028 (x2)
HAND GRIP GREEN PLASTIC

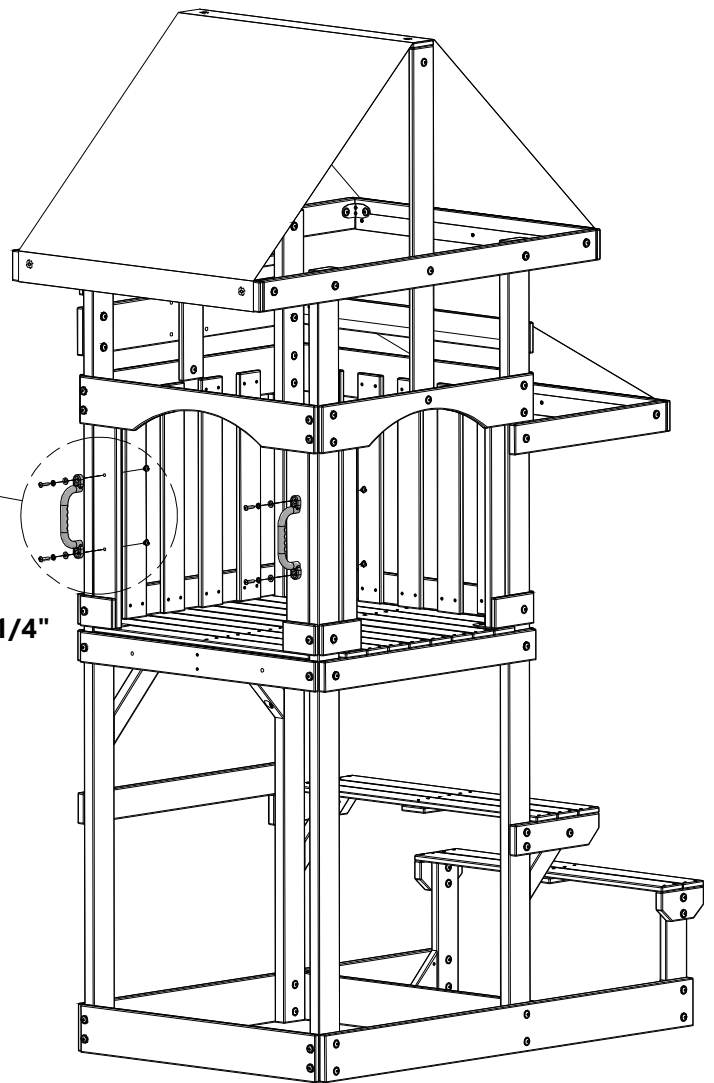


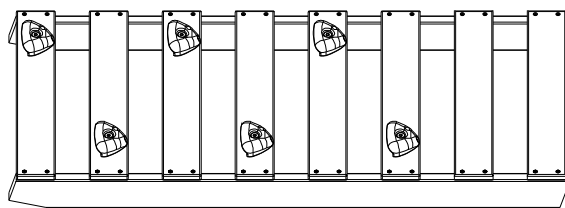
072 (x4)
T-NUT - 1/4"

062 (x4)
BOLT - 1/4x1 1/4"

106 (x4)
WASHER - 9x18

108 (x4)
WASHER - 8x15





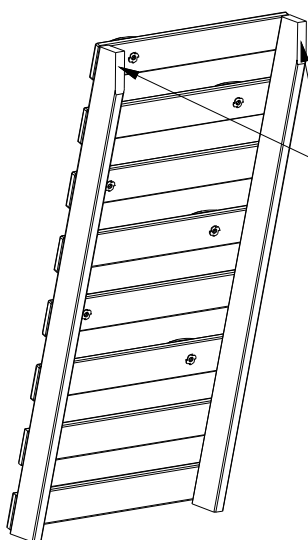
(1) 4 FT ROCK LADDER



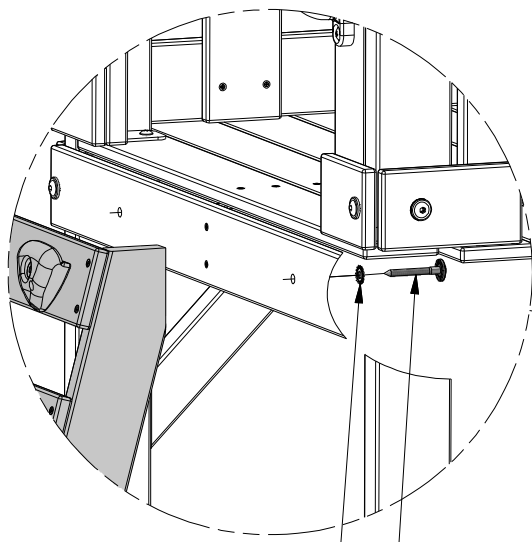
H100028 | LAG SCREW WH
(2) 5/16x2 1/2



H100030 | WASHER LOCK EXT
(2) 8x19



Using 'M13' ladder attachment holes as a guide, predrill these edges.

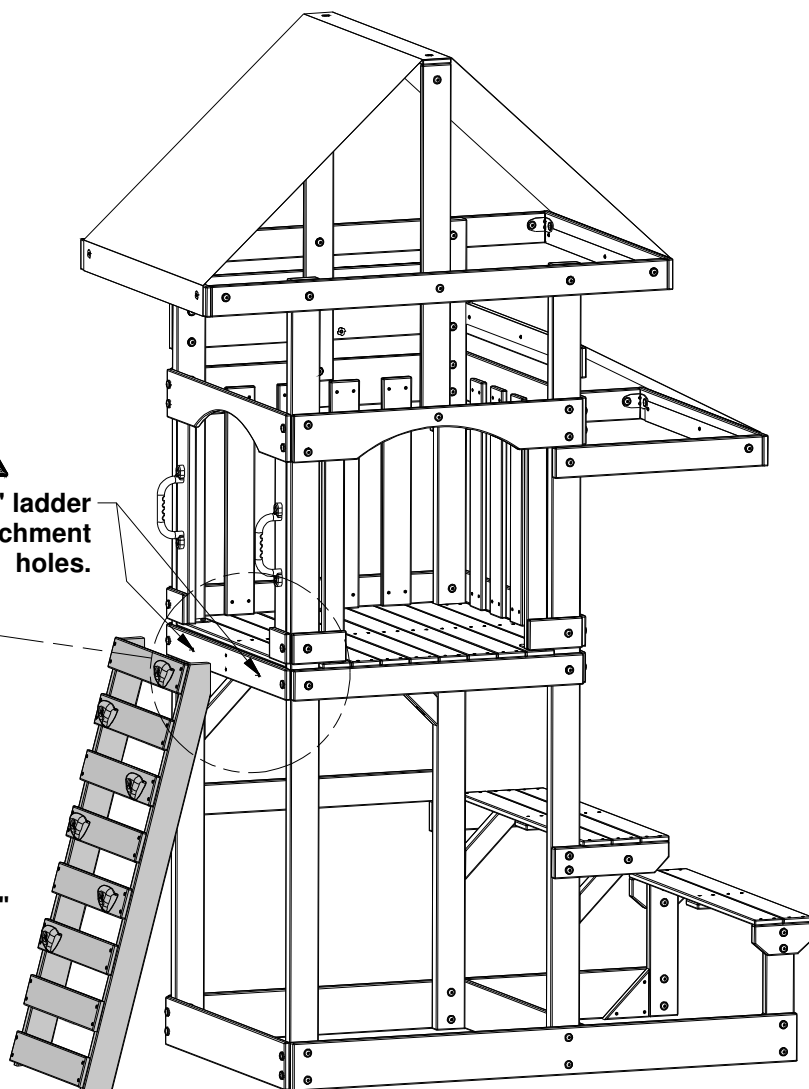


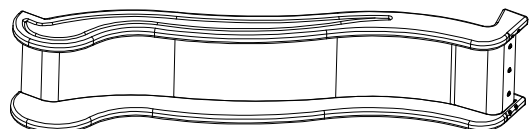
030 (x2)
WASHER - 8x19

028 (x2)
LAG SCREW - 2 1/2"



'M13' ladder attachment holes.





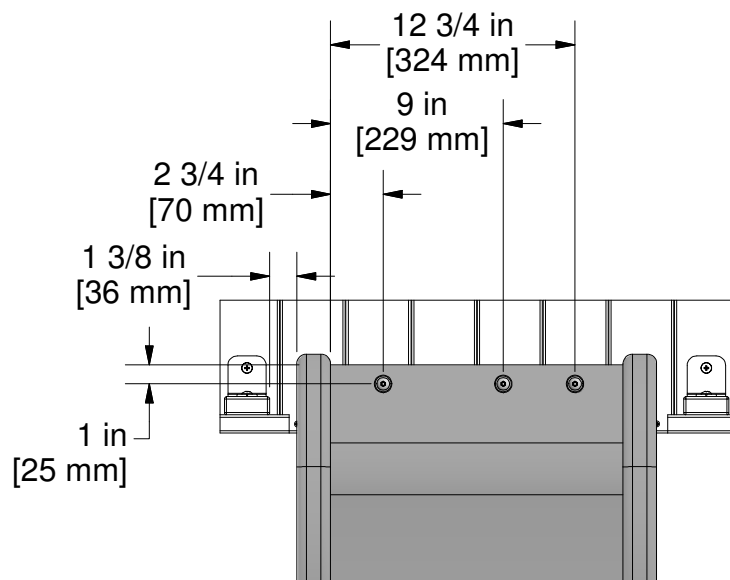
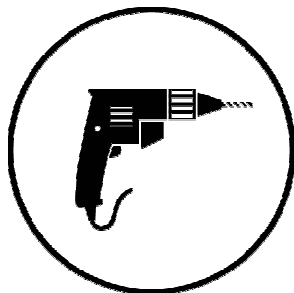
9208100 | 8 FT - FLAT PACK SLIDE
(1)



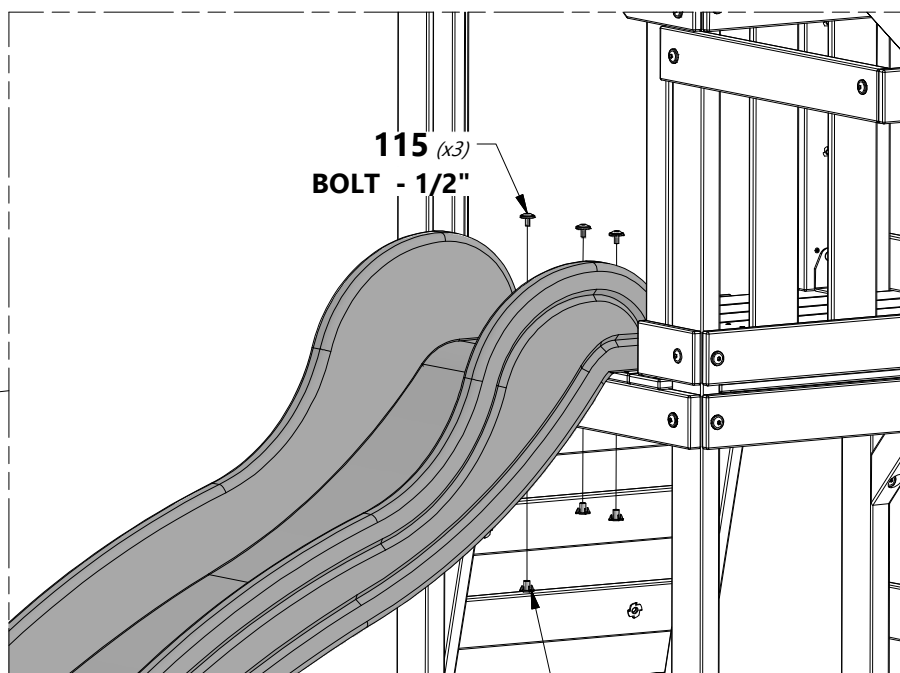
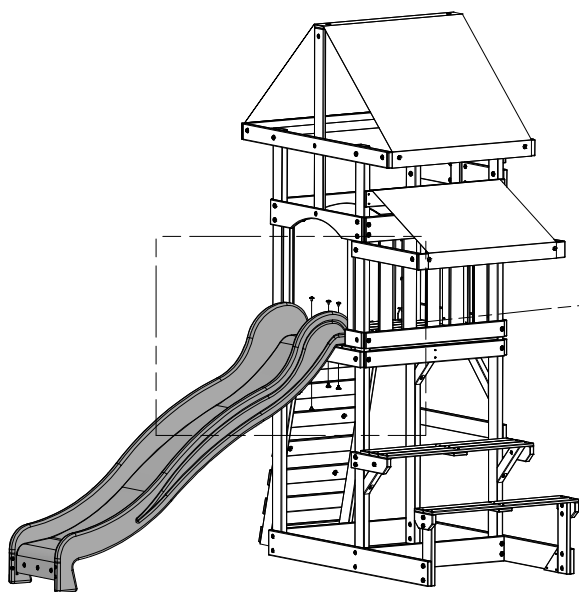
H100115 | BOLT WH
(3) | 5/16x1/2



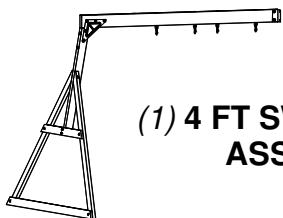
H100074 | T-NUT
(3) | 5/16



**SLIDE BED
DRILLING PATTERN**



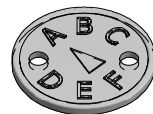
074 (x3)
T-NUT - 5/16"



(1) 4 FT SWING BEAM ASSEMBLY



A100164 (1) BYD ID TAG (LARGE) AGES 3-10



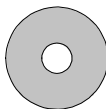
A100314 (1) "A" REVISION TAG



H100042 (4) BOLT HEX 5/16x1 1/4



H100095 (4) WASHER SPLIT 5/16



H100105 (4) WASHER FLAT 8x27



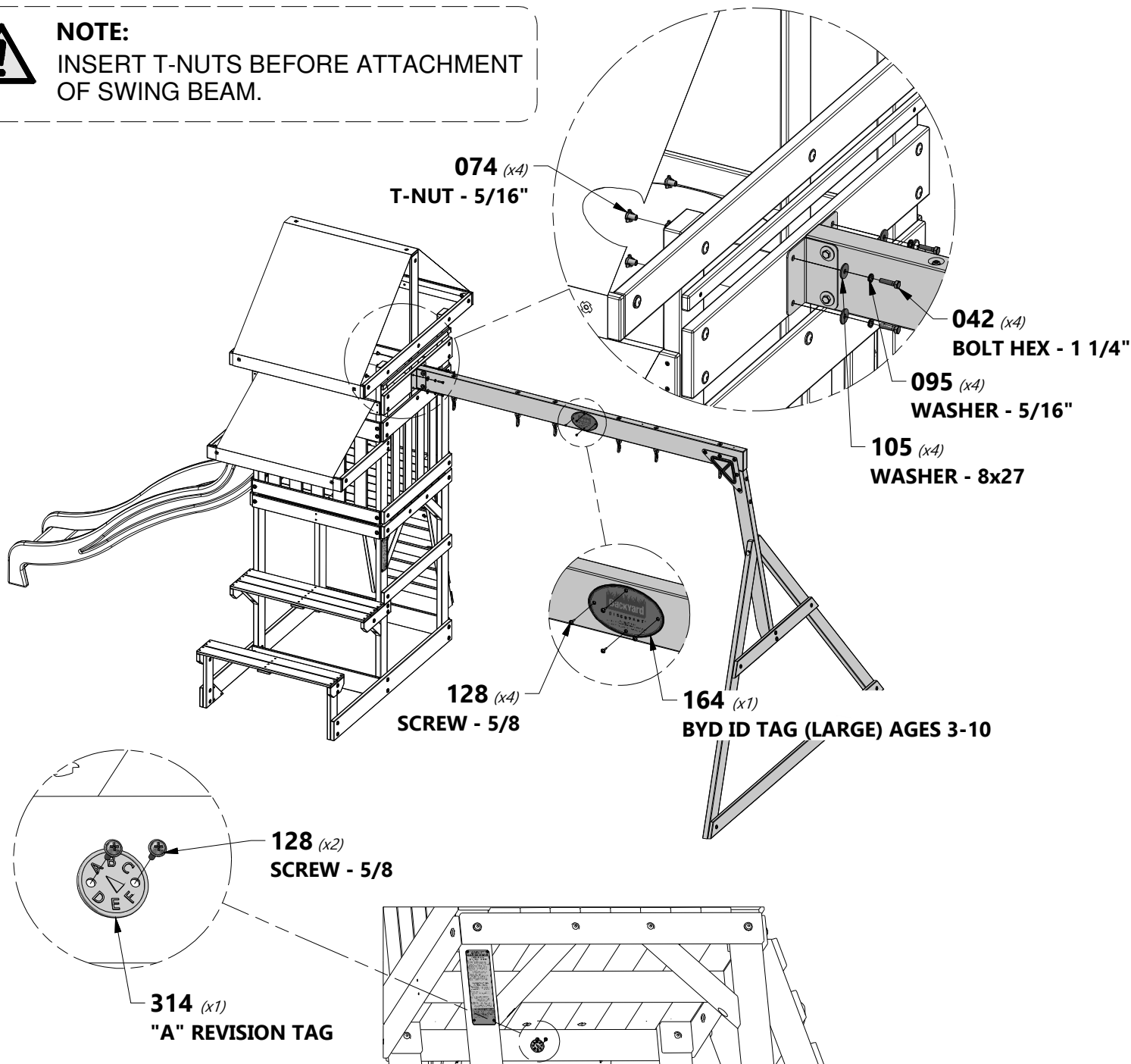
H100074 (4) T-NUT 5/16

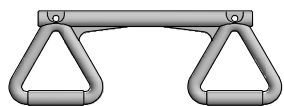


H100128 (6) SCREW PWH 8x5/8

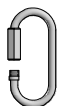


NOTE:
INSERT T-NUTS BEFORE ATTACHMENT OF SWING BEAM.





A6P00034
(1) | **TRAPEZE YELLOW**



A100069
(6) | **QUICK LINK**



A6P00054
(2) | **SWING SEAT GREEN 22IN**



A100083
(2) | **ROPE-CHAIN GREEN 33"**

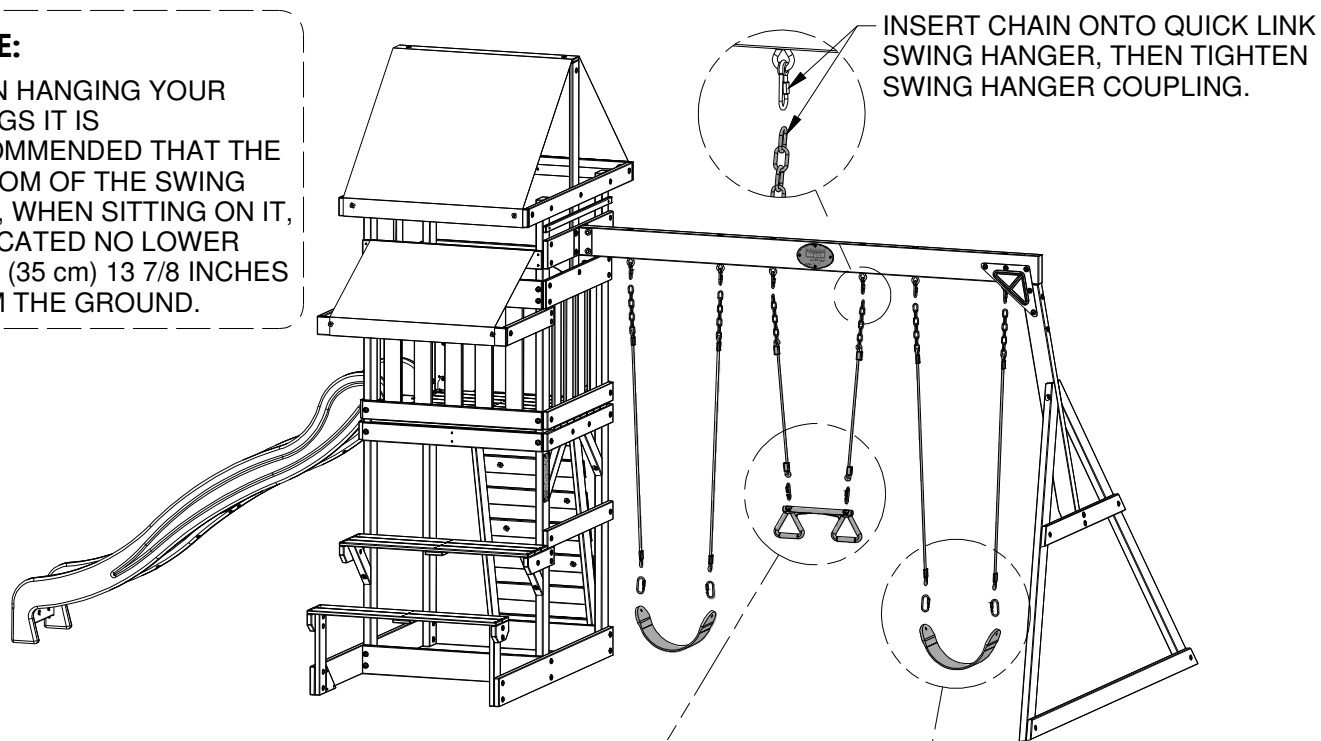


A100087
(4) | **ROPE-CHAIN GREEN 51.25"**



NOTE:

WHEN HANGING YOUR SWINGS IT IS RECOMMENDED THAT THE BOTTOM OF THE SWING SEAT, WHEN SITTING ON IT, IS LOCATED NO LOWER THAN (35 cm) 13 7/8 INCHES FROM THE GROUND.



INSERT CHAIN ONTO QUICK LINK SWING HANGER, THEN TIGHTEN SWING HANGER COUPLING.

083 *(x2)*
ROPE-CHAIN GREEN 33"

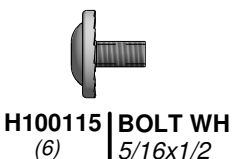
069 *(x2)*
QUICK LINK

034 *(x2)*
TRAPEZE YELLOW

087 *(x4)*
ROPE-CHAIN GREEN 51.25"

069 *(x4)*
QUICK LINK

397 *(x2)*
SWING SEAT GREEN 22"

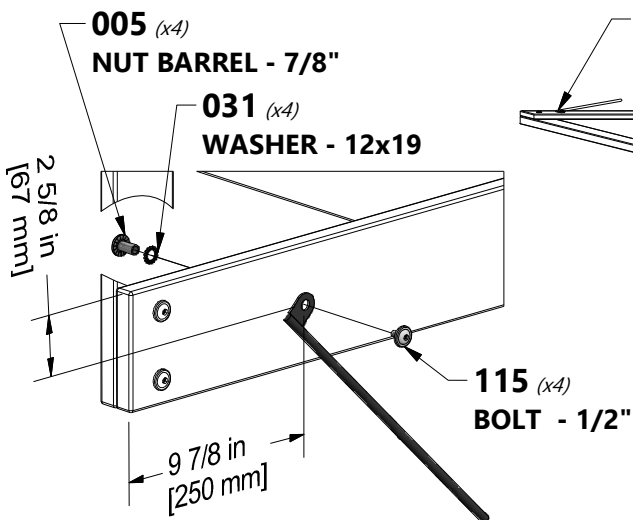


NOTE:
FAILURE TO USE GROUND STAKES CAN VOID WARRANTY AND CAUSE INJURY!

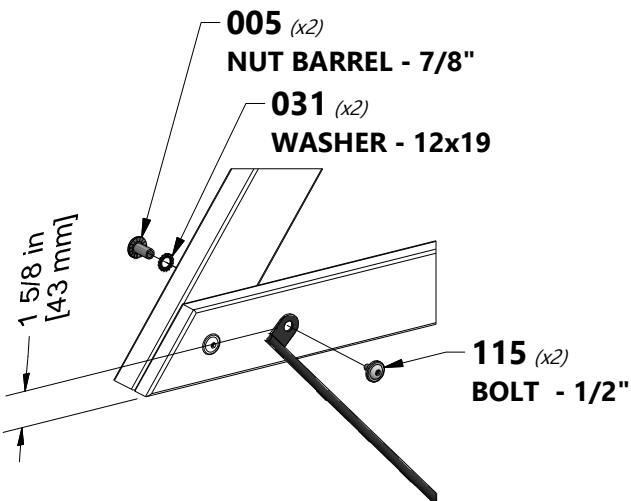
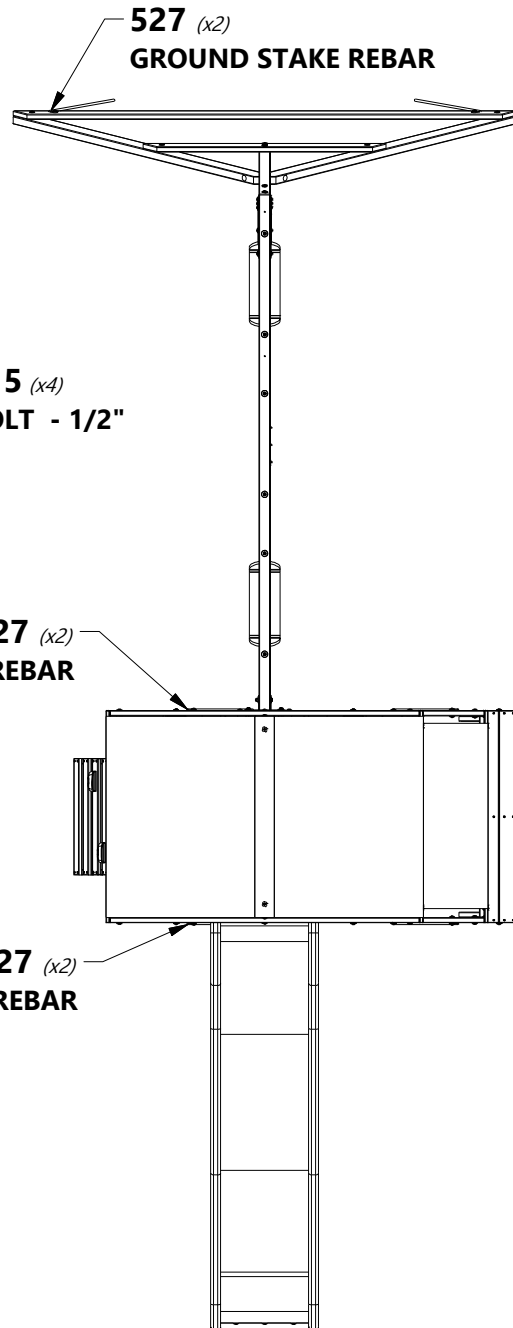
1. DRIVE REBAR GROUND STAKE INTO THE GROUND AT A 45 ° ANGLE NEXT TO THE GROUND BOARD, IN THE LOCATIONS SHOWN.

2. USE HARDWARE PROVIDED TO SECURE THE REBAR GROUND STAKE TO THE GROUND BOARD.

3. MAKE SURE ALL BOLTS, SCREWS, AND NUTS ARE TIGHTENED. MAKE SURE EVERY BOARD IS SECURED. MAKE SURE YOUR SWING SET IS LEVEL. ENJOY THE USE OF YOUR NEW SWING SET!



FORT STAKES



SWING BEAM STAKES