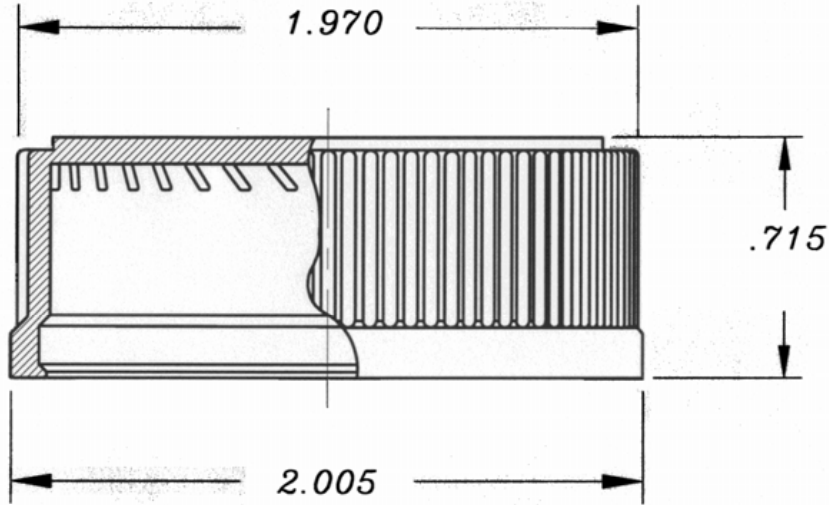
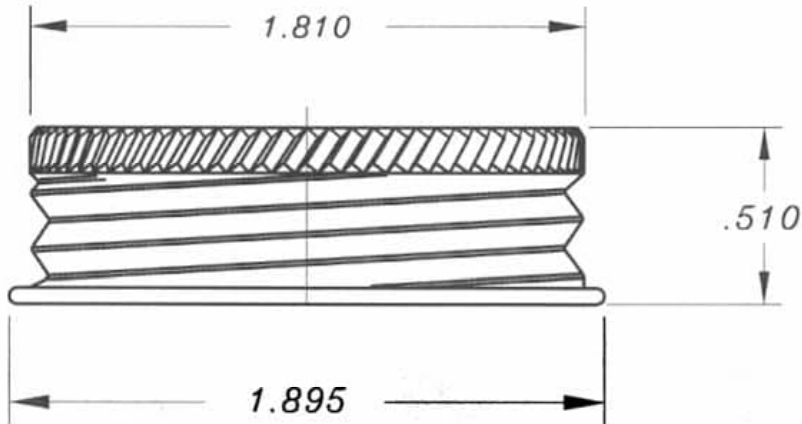
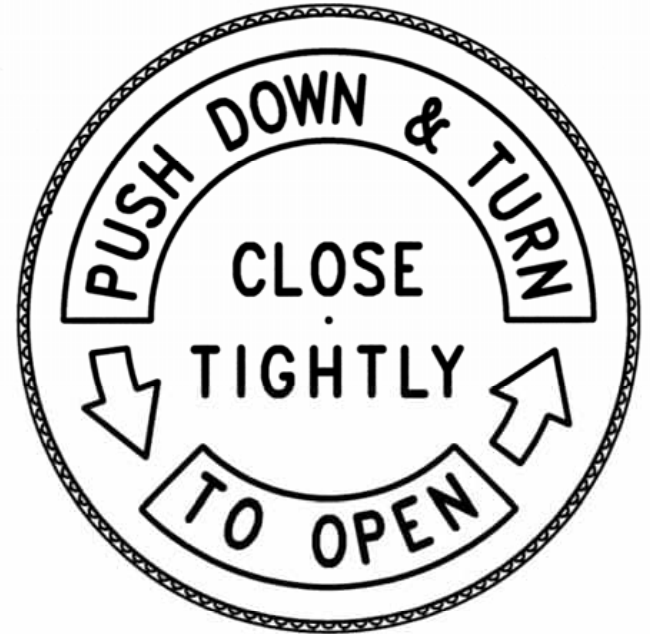


**TOLERANCE:**  $\pm .015''$   
(Unless Specified)



PLASTIC  
OVERCAP



METAL  
INNERCAP  
(6) Threads per Inch

Approved by: \_\_\_\_\_

Date: \_\_\_\_\_

**DISCLAIMER**

This specification does not relieve the customer of their ultimate responsibility for the determination of the appropriate container. It is the customer's responsibility to select the appropriate packaging based upon all information at their disposal including the specific application, regulatory compliance, product compatibility and shipping requirements. WE HEREBY DISCLAIM AND EXCLUDE ANY EXPRESS OR IMPLIED WARRANTIES, INCLUDING WITHOUT LIMITATION THE IMPLIED WARRANTIES OF MERCHANTABILITY AND FITNESS FOR A PARTICULAR PURPOSE.

DISTRIBUTED BY:



REF NO.:

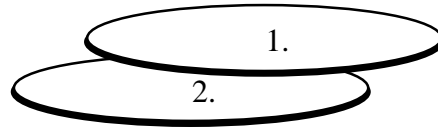
DWG-Q1663

DESCRIPTION:

1 3/4" DELTA PLASTIC/METAL CHILD RESISTANT  
CAP, .060" TRI-FOIL WP F217 LINER

## TECHNICAL DATA SHEET

**SOLVSEAL® 103**



**Description:** A super-calendered Kraft Paper is coated one side with two coats of clear thermosetting resinous coating. It has a smooth, glossy finish and yellow in color. Due to its cured and chemical resistant thermosetting resinous coating, this facing is suitable for heat resistant, chemical resistant and solvent resistant liners.

### SPECIFICATIONS

	Material	Thickness [in]	Thickness [mm]
1.	Kraft Paper	0.0040	0.1016
2.	Thermosetting Coating	0.0008	0.0203
	<b>Total Structure</b>	<b>0.0048 +/- 0.0005</b>	<b>0.1220 +/- 0.0122</b>

Property	Value
Odor	None Detected
Taste	None Detected

GTR	O <sub>2</sub> 16 cc./100 in <sup>2</sup> / 24 hrs. / atm. CO <sub>2</sub> 40 cc./100 in <sup>2</sup> / 24 hrs. / atm. N <sub>2</sub> 8 cc./100 in <sup>2</sup> / 24 hrs. / atm.
MVTR	0.3gms. /100 sq.in./24 hrs. at 100°F., 95 % R.H.

**Good Resistance to:** Vegetable and Mineral Oils, Weak Acids and Alkalis, Alcohols, Organic Solvents.

**Poor Resistance to:** Strong Acids and Alkalis, Chlorinated Hydrocarbons.

**Code of Federal Regulations Compliance:** Complies to the following CFR's

21CFR 175.300

#### DISCLAIMER

This specification does not relieve the customer of their ultimate responsibility for the determination of the appropriate container. It is the customer's responsibility to select the appropriate packaging based upon all information at their disposal including the specific application, regulatory compliance, product compatibility and shipping requirements. WE HEREBY DISCLAIM AND EXCLUDE ANY EXPRESS OR IMPLIED WARRANTIES, INCLUDING WITHOUT LIMITATION THE IMPLIED WARRANTIES OF MERCHANTABILITY AND FITNESS FOR A PARTICULAR PURPOSE.

DISTRIBUTED BY:



REF NO.:

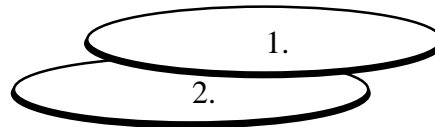
DWG-Q1663

DESCRIPTION:

1 3/4" DELTA PLASTIC/METAL CHILD RESISTANT CAP,  
.060" TRI-FOIL WP F217 LINER

# TECHNICAL DATA SHEET

**SOLVSEAL® 103**



**Description:** A super-calendered Kraft Paper is coated one side with two coats of clear thermosetting resinous coating. It has a smooth, glossy finish and yellow in color. Due to its cured and chemical resistant thermosetting resinous coating, this facing is suitable for heat resistant, chemical resistant and solvent resistant liners.

## SPECIFICATIONS

	Material	Thickness [in]	Thickness [mm]
1.	Kraft Paper	0.0040	0.1016
2.	Thermosetting Coating	0.0008	0.0203
	<b>Total Structure</b>	<b>0.0048 +/- 0.0005</b>	<b>0.1220 +/- 0.0122</b>

Property	Value
Odor	None Detected
Taste	None Detected

GTR	O <sub>2</sub> 16 cc./100 in <sup>2</sup> / 24 hrs. / atm. CO <sub>2</sub> 40 cc./100 in <sup>2</sup> / 24 hrs. / atm. N <sub>2</sub> 8 cc./100 in <sup>2</sup> / 24 hrs. / atm.
MVTR	0.3gms. /100 sq.in./24 hrs. at 100°F., 95 % R.H.

**Good Resistance to:** Vegetable and Mineral Oils, Weak Acids and Alkalis, Alcohols, Organic Solvents.

**Poor Resistance to:** Strong Acids and Alkalis, Chlorinated Hydrocarbons.

**Code of Federal Regulations Compliance:** Complies to the following CFR's

21CFR 175.300

### DISCLAIMER

This specification does not relieve the customer of their ultimate responsibility for the determination of the appropriate container. It is the customer's responsibility to select the appropriate packaging based upon all information at their disposal including the specific application, regulatory compliance, product compatibility and shipping requirements. WE HEREBY DISCLAIM AND EXCLUDE ANY EXPRESS OR IMPLIED WARRANTIES, INCLUDING WITHOUT LIMITATION THE IMPLIED WARRANTIES OF MERCHANTABILITY AND FITNESS FOR A PARTICULAR PURPOSE.

DISTRIBUTED BY:



REF NO.:

DWG-Q1663

DESCRIPTION:

1 3/4" DELTA PLASTIC/METAL CHILD RESISTANT CAP,  
.060" TRI-FOIL WP F217 LINER