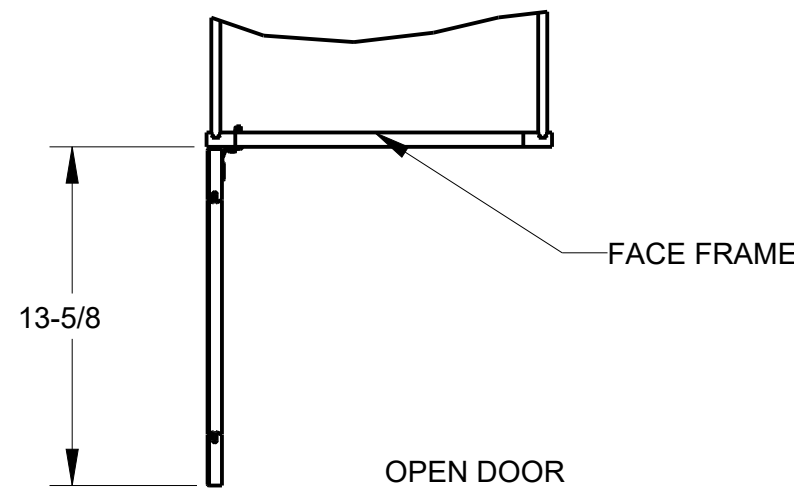
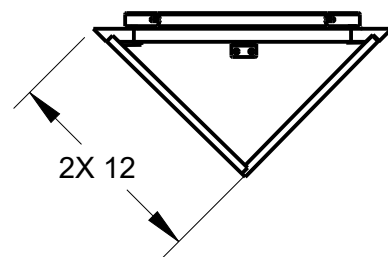
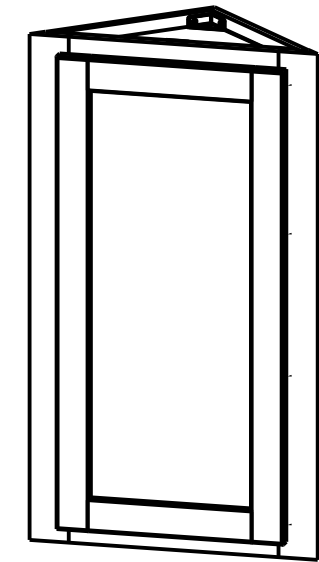
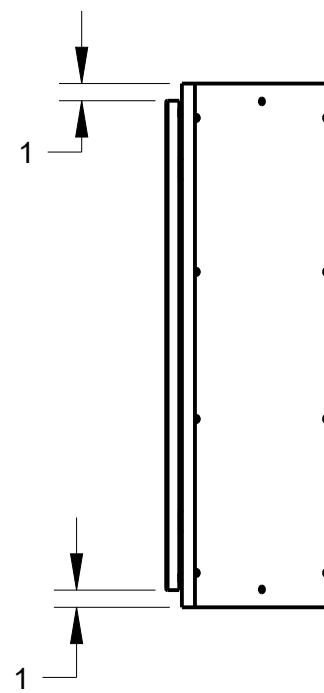
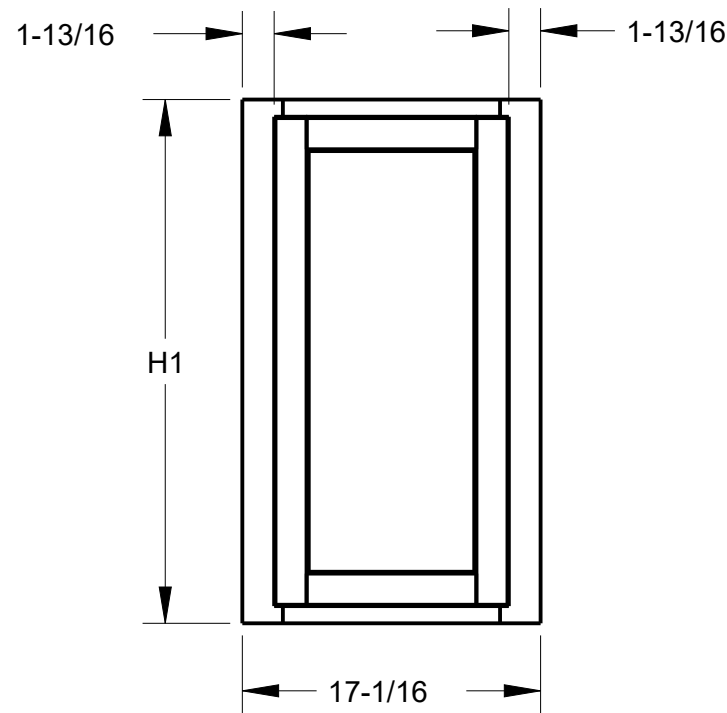


NOTE:

1 OPEN DOOR VIEW INCLUDES HINGE SPACE OFFSET.

PRODUCT	H1	DOOR SIZE
		ROUNDED TO THE NEAREST 1/32
WEC1230	30"	13 7/16" X 28 1/32"
WEC1236	36"	13 7/16" X 34 1/32"
WEC1242	42"	13 7/16" X 40 1/32"



THIRD ANGLE PROJECTION 		<b>hardware resources</b>		
MATERIAL N/A	FINISH N/A			
DRAWN BY EDVIN GOLESTANYAN		DATE 04MAR2021		DRAWING NUMBER WEC1230-WEC1236-WEC1242_HALF
DESIGNED BY NORTHPOINT		DATE 08MAR2021		
APPROVED BY ANDY BROWN		SIZE A3	SCALE 0.091	REV <b>A</b>
SHEET 1 / 1				

DOCUMENT STATUS Released

HARDWARE RESOURCES RESERVES THE RIGHT TO CHANGE SPECIFICATIONS WITHOUT NOTICE. IN CASE OF A DISCREPANCY, ACTUAL PART GEOMETRY SUPERSEDES THIS DOCUMENT.

THE INFORMATION CONTAINED WITHIN THIS DRAWING IS THE SOLE PROPERTY OF HARDWARE RESOURCES INC. ANY REPRODUCTION IN PART OR WHOLE WITHOUT WRITTEN PERMISSION OF HARDWARE RESOURCES INC. IS PROHIBITED.