

HEKMAN®

A HOWARD MILLER COMPANY
Grand Rapids, Michigan

INSTALLATION INSTRUCTIONS

Pattern Description #27591 Contract Game Table

DO NOT SCALE SKETCHES
COPYRIGHT 1997 HEKMAN FURNITURE COMPANY






Pattern Number(s)

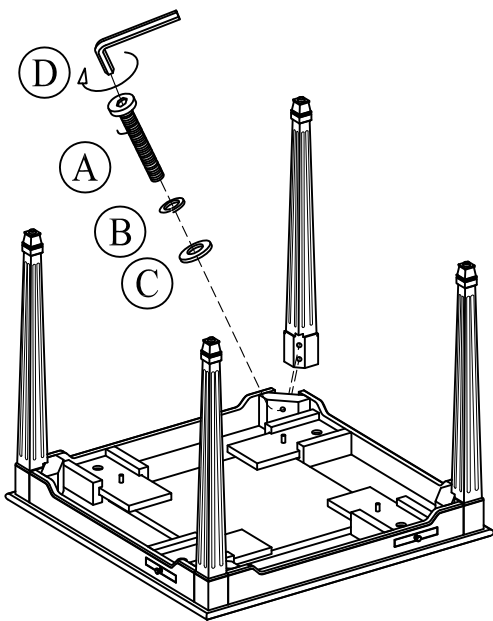
#27591

Drawn By ECN

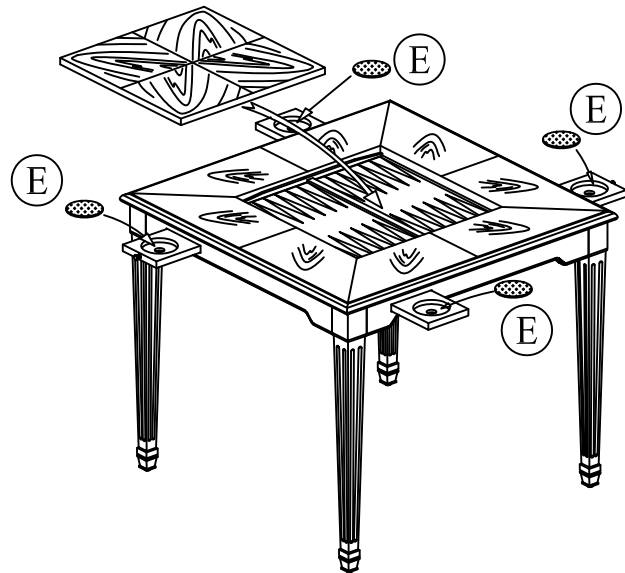
Date 12/02/15

Hardware List

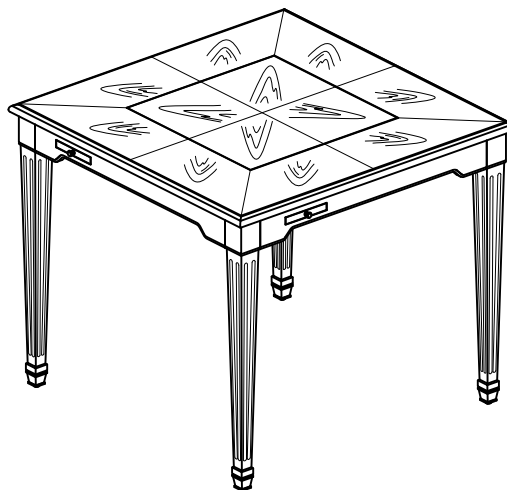
NO.	DRAWING	SIZE	QTY
A		5/16*3"	8
B		5/16"	8
C		5/16"	8
D		5MM	1
E		95MM DIA	4



STEP 1



STEP 2



FINISHED