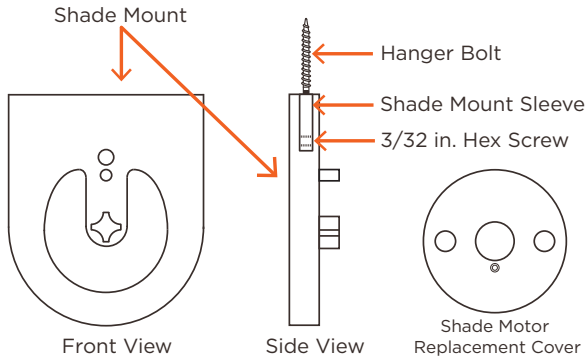


# SAVANT

## Savant® Shades Floating Outside Mount: Motorized Drive Side (SHA-B4xx-00) Quick Reference Guide

The SHA-B4xx shade mount kit is designed for windows that are flush with the wall and not inset within a window jamb. The mount in the SHA-B4xx kit is installed using a shade mount sleeve and 2-inch hanger bolt that is screwed directly to the wall (if sub wall allows). If required, drywall anchors can be used. The SHA-B4xx motor side shade mount should be the first mount installed when installing a shade using the floating type mounts. Once the mount in the SHA-B4xx kit is installed, it can then be used as a reference point for mounting the remaining similar type shade mounts such as the SHA-B3xx-00.

### Box Contents



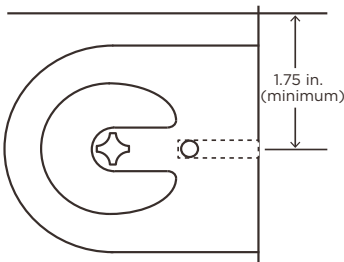
- (1) Shade Mount - Floating Outside Mount Drive Side
- (1) 2-inch Hanger Bolt
- (1) 1 inch Shade Mount Sleeve
- (1) #6 x 1 1/2 in. Flat Head Screw
- (2) Silver Aluminum Shade Motor Replacement Covers (B4SA versions only)
- (1) Quick Reference Guide (this document)

**Note:** Additional documentation on installing this shade mount as well as information on all phases of shade installation, is available on the **Savant Customer Community**.

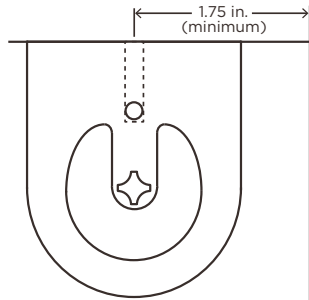
- Shade Installation and Wiring Guide (009-1532-xx)

**HELPFUL!** Before starting the mounting process, review the Horizontal and Vertical mount diagrams below to ensure a trouble free install.

#### Horizontal Mount



#### Vertical Mount



- Install the shade mount so the center point of the coupler is installed at least 1 3/4 inch (minimum) from any obstructions.
- To aid in the installation of the shade mounts, a template (SHA-INSTEMP-xx) is available. This template contains all the holes and spacing required to mount any of the shade mounts.
- To reduce marking up the walls, it is recommended that painters tape be used whenever drilling is involved.

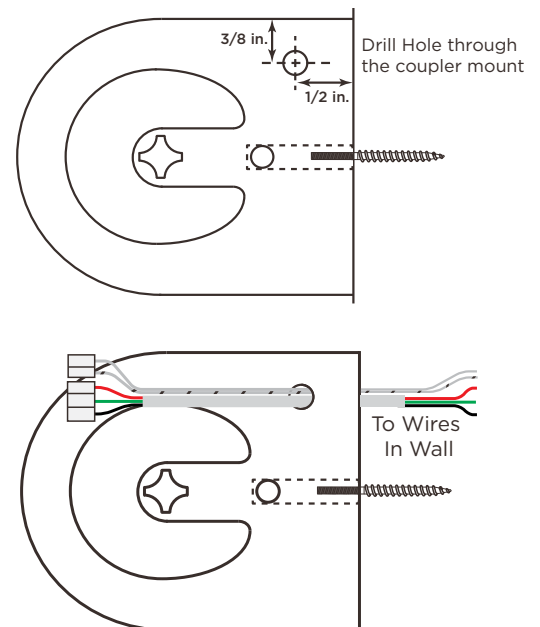
**TIP!** The distance the shade is mounted from the wall or ceiling can be adjusted from the 1 3/4 inches shown in diagram above. The 1 3/4 inches shown is the minimum distance needed for the shades to operate properly.

### Mounting Instructions

1. Mark the wall or ceiling where the hanger bolt will be mounted. Ensure the following:
  - The center point of the mount must be at least 1 3/4 inches from any obstructions. Refer to **Horizontal** and **Vertical Mount** diagrams above.
  - When installing, the mount should be positioned so the control and power wires for each motor exiting the wall/ceiling will exit near the hole that will be drilled in step 3 below.
2. Place the mount on the wall where it will be installed. With a pencil, scribe a mark on the mount in the general location where the hole for the control and power wires in step 3 below will be drilled.

**HELPFUL!** For reference of where the wires should exit the wall, see the diagrams to the right.

3. Using the general area selected in step 2 above, measure down from the top edge of the mount 3/8 inch and measure over 1/2 inch from rear edge of mount and scribe a mark. On the mark made, drill an 11/32 inch hole so it goes through just the inside wall of the mount.
4. Feed the control and power wires for each shade motor through the hole just drilled, and out the rear of the mount. Refer to diagram to the right.



Power Wire		SHA-W1000-00
White	→	Black
White/Black	→	Red

Control Wire		SHA-W1000-00
Red	→	Orange/White
Green	→	Brown
Black	→	Orange

- Connect the control and power wires exiting the rear of the mount to the wires exiting the wall/ceiling. Savant recommends using Dolphin type crimp connectors or similar when splicing the wires.

**Note:** The wire colors shown in tables are the colors used in the Savant SHA-W1000-00 cable.

- Prepare the wall and install the hanger bolt. Leave  $1/2$  inch of the machine thread exposed.



**HELPFUL!** Savant recommends using a hanger bolt installation tool (8-32 thread) when screwing the hanger bolt into the wall. **DO NOT** use the provided sleeve to drive the hanger bolts into wall as damage to the sleeve will occur.

- Install the supplied #6 flat head screw  $9/16$  inch directly above or below the hanger bolt (measurements are made from the center point of the hanger bolt). With the shade mount installed, this screw sits inside the opening in the rear of the mount and keeps the mount from twisting.
- With a  $3/32$  inch hex key, turn the hex head set screw installed in the 1 inch mounting sleeve, so it doesn't protrude from either side of the sleeve. When complete, the shade mount sleeve should be able to slide in and out of the hole in the rear of the shade mount. See **Horizontal** and **Vertical** Mount diagrams above for position of the hole.
- Screw the mounting sleeve onto the hanger bolt until the hex head set screw in the sleeve is positioned slightly offset from the hole in the shade mount (see diagram). Leaving the set screw offset will allow the shade mount to be pulled tight to the wall in the next step.
- Slide the shade mount over the sleeve until the set screw is visible through hole on side of mount (Insert wires from step 5 above into wall as required). With a  $3/32$  inch hex key, turn the set screw counterclockwise to back off the set screw a bit until it rests within the hole on the side of the mount. This pulls the mount tight against the wall or ceiling.
- Verify the shade mount is tight to the wall or ceiling. If not, turn in the set screw, remove the shade mount, and adjust the mounting sleeve to ensure the mount is pulled tight against the wall or ceiling.

