


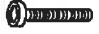
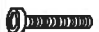


# HEKMAN

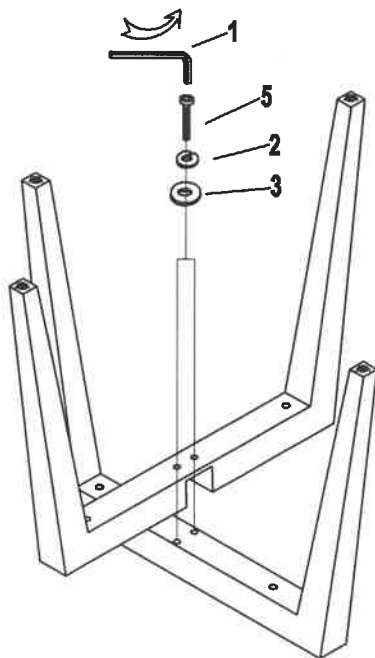
## ASSEMBLY INSTRUCTIONS

24319-Round Dining Table metal leg

A HOWARD MILLER COMPANY

HARDWARE LIST				
NO.	DESCRIPTION	SKETCH	DIMENSION	QTY
1		ALLEN WRENCH	5MMxL75mm	1pc
2		SPRING WASHER	Ø5/16"	6pcs
3		FLAT WASHER	Ø5/16"(19mm)	6pcs
4		BOLT	Ø5/16"x 88mm	4pcs
5		BOLT	Ø5/16"x 19mm	2pcs

**STEP 1** On a clean surface assemble the metal Legs together with Bolt #5 and Lock washer #2, Flat Washer #3 and tighten by Allen wrench #1



MADE IN VIETNAM

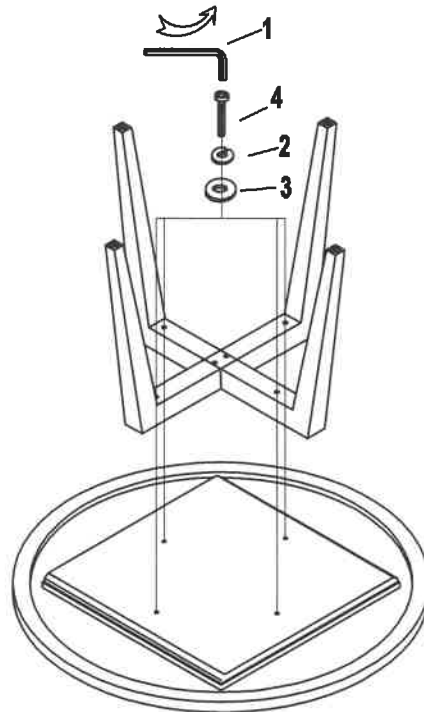
# HEKMAN

## ASSEMBLY INSTRUCTIONS

24319-Round Dining Table metal leg

**STEP 2** Lay Top Panel Face Down on a soft clean surface.

**STEP 3** Attach metal Legs to the top panel with Bolt #4, Lock washer #2, and Flat washer #3



**STEP 4** Turn table Upright,



MADE IN VIETNAM