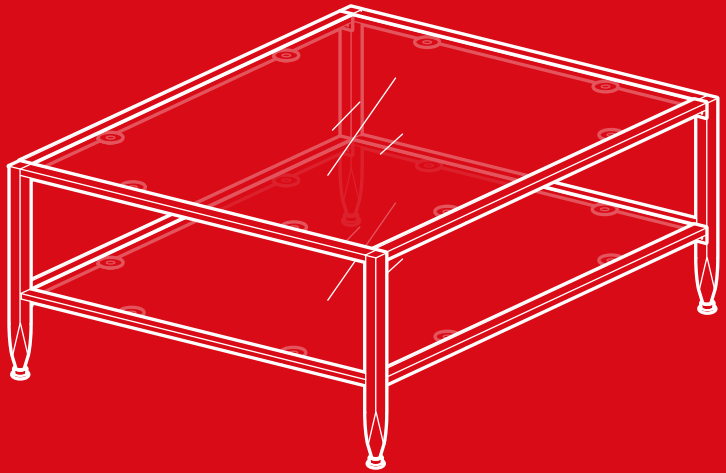




BEST CHOICE
PRODUCTS



INSTRUCTION MANUAL

2-Tier Square Coffee Table



**BEST CHOICE
PRODUCTS**

As shoppers, we're always trying to find the perfect balance between quality & value. At BCP, we believe we've achieved that. Our diverse catalog of everyday essentials is tailored especially to our customers & guaranteed to hit that sweet spot of high quality & low price.

— Always. —



Fasten screws loosely during assembly. Do not firmly tighten screws until item is fully assembled.

bestchoiceproducts.com

! NOTICE

Please retain these instructions for future reference.

- Do not stand on or use any part of this item as a step ladder.
- Firmly secure all bolts, screws, or knobs before use.
- Reconfirm that all bolts, screws, or knobs are secure every 90 days.
- Be aware that some parts are heavy and have sharp edges.
- If any parts are missing, broken, damaged, or worn, stop using this product until repairs are made and/or factory replacement parts are installed.
- Do not use this item in a way inconsistent with the manufacturer's instructions as this could void the product warranty.

TOOLS REQUIRED



ALLEN WRENCH
(PROVIDED)



65 LBS
SHELF
CAPACITY



85 LBS
TABLE TOP
CAPACITY



2 PERSON
ASSEMBLY



UP TO 30 MIN.
ASSEMBLY

HARDWARE

1

M6 x 12mm
SCREW



8 PCS

2

SUCTION CUPS



16 PCS

3

FOOT CAP



4 PCS

PARTS

A

7mm GLASS
TABLE TOP



1 PC

B

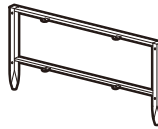
5mm GLASS
SHELF



1 PC

C

LEG SET



2 PCS

D

SIDE FRAME

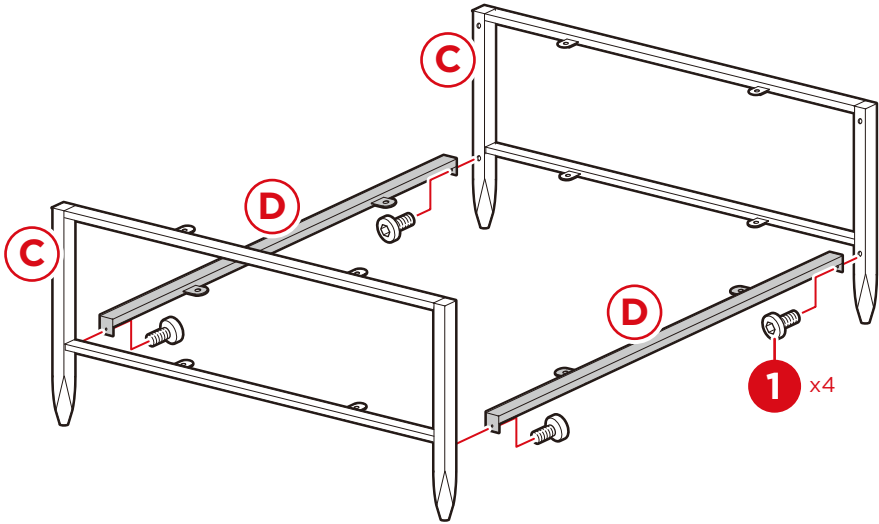


4 PCS

PRODUCT ASSEMBLY

1

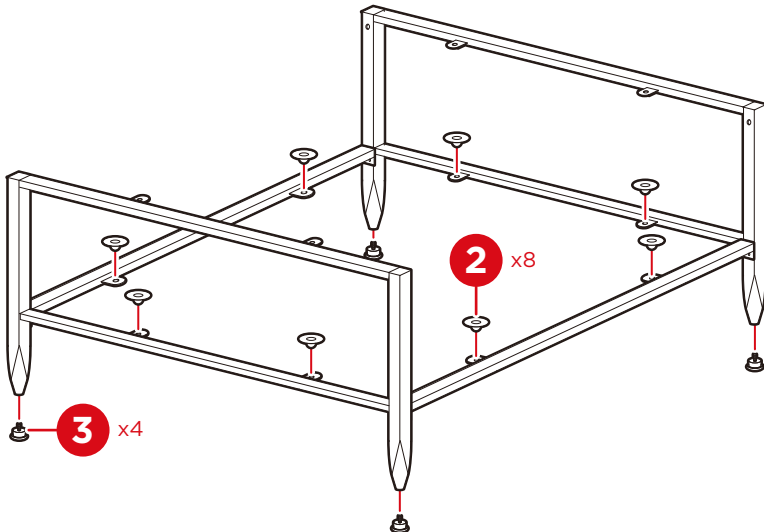
Attach the two **part C** leg sets to two **part D** side frames with four **part 1** screws.



2

Screw four **part 3** foot caps into the **part C** leg sets, one cap per leg.

Insert eight **part 2** suction cups into the flanges on the bottom tier of the leg sets and side frames.

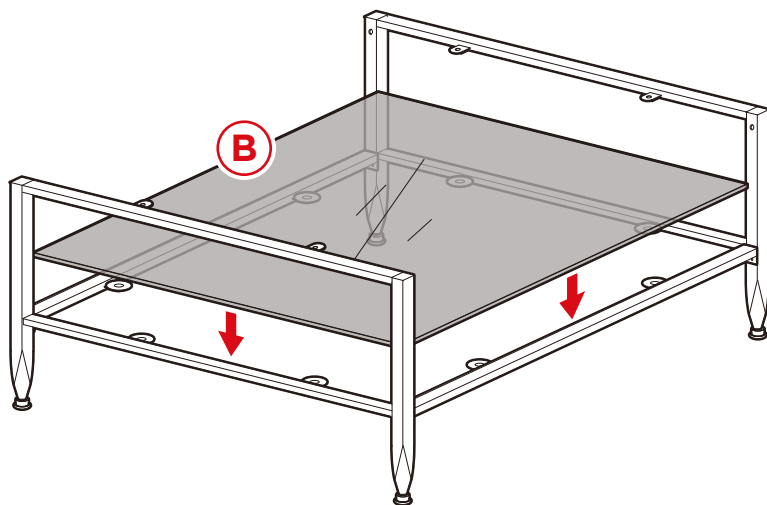


PRODUCT ASSEMBLY

3

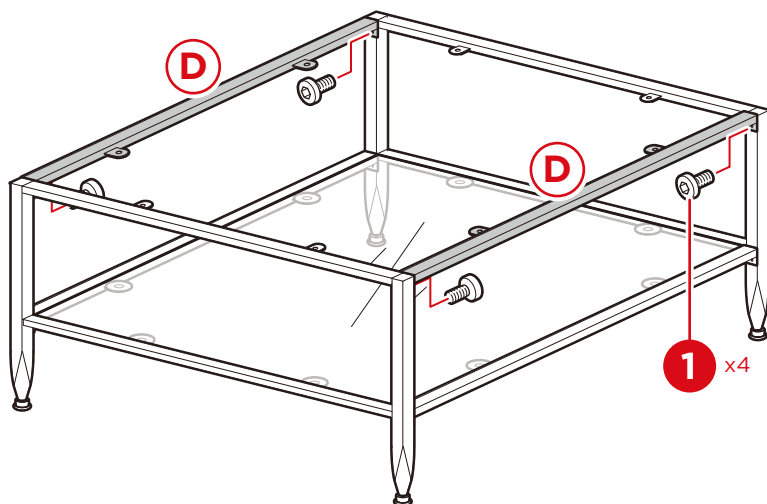
Lower the **part B** glass shelf onto the suction cups to secure.

NOTE: It is recommended that two people lower the glass to prevent potential injury or damage.



4

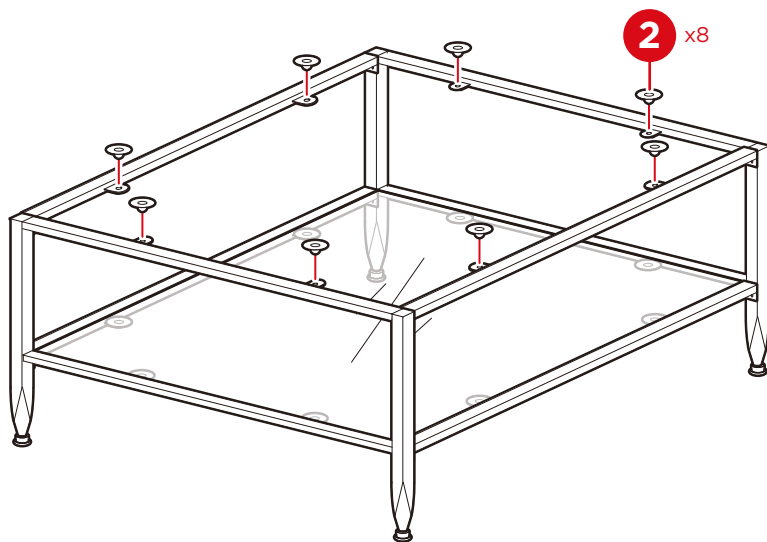
Attach two **part D** side frames with four **part 1** screws.



PRODUCT ASSEMBLY

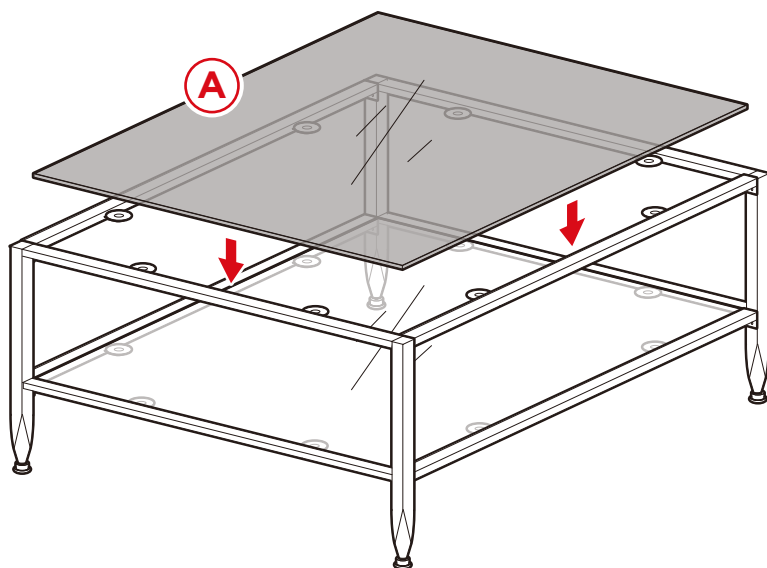
5

Insert eight **part 2** suction cups into the flanges on the upper tier of the leg sets and side frames.



6

Lower the **part A** glass shelf onto the suction cups to secure.





HELP CENTER



Question about your product? We're here to help. Visit us at:

help.bestchoiceproducts.com



Chat Support



Product Inquiry



Orders FAQ



Product Assembly



Returns & Refunds

PRODUCT WARRANTY INFORMATION

All items can be returned for any reason within 60 days of the receipt and will receive a full refund as long as the item is returned in its original product packaging and all accessories from its original shipment are included. All returned items will receive a full refund back to the original payment method. All returned items will not be charged a re-stocking fee.

All returned items require an RA (Return Authorization) number, which can only be provided by a Best Choice Products Customer Service Representative when the return request is submitted. Items received without an RA may not be accepted or may increase your return processing time. Once an item has been received by Best Choice Products, refunds or replacements will be processed within 5 business days.

All returns must be shipped back to the Best Choice Products Return Center at the customer's expense. If the reason for return is a result of an error by Best Choice Products then Best Choice Products will provide a pre-paid shipping label via email. Boxes for return shipping will not be provided by Best Choice Products, and is the customer's responsibility to either use the original shipping boxes or purchase new boxes.

Pictures may be required for some returns to ensure an item is not damaged prior to its return. Items returned are not considered undamaged until they are received by Best Choice Products and verified as such. All damages to items are the customer's responsibility until the item has been received by and acknowledge by Best Choice Products as undamaged.

WARNING

Manufacturer and seller expressly disclaim any and all liability for personal injury, property damage or loss, whether direct, indirect, or incidental, resulting from the incorrect attachment, improper use, inadequate maintenance, unapproved modification, or neglect of this product.