



Artus™

Narrow Profile Smart Multipoint Lock

The Schlage Artus smart multipoint lock is designed with versatility to suit various door profiles, with 40mm and 60mm backset options.

The Schlage Artus provides a simple keyless solution with access via keypad, Bluetooth, or key tags. It seamlessly integrates with the Schlage Breeze app, to easily manage and monitor the lock via a mobile phone.

Pairing the Schlage Artus with a mechanical lock and rod kit provides four point locking for an enhanced weather seal, and increased security.



Allegion warranties	
Mechanical	2 years
Finish	allegion.co.nz/finisheswarranty
Electronic	2 years



Features

- Simple access including keypad, Schlage Breeze app, key tags or back-up key
- Easy to set up and program using the Schlage Breeze app, program access codes for temporary or recurring visitors
- Send virtual keys to guests, via text message from the Schlage Breeze app
- Control the lock hands free via Amazon Alexa or Google Assistant
- Firmware updates through the app ensure future compatibility
- Convenience of passage or auto locking modes for easy access
- Built-in alarm technology senses potential security breaches at the lock
- Audit trail allows you to see who has used the lock and when
- With remote access via the Schlage Wi-Fi Bridge (BZ100), monitor lock activity, send access codes, and be alerted when the lock is tampered with
- Closing the door activates the deadlatch automatically
- Lifting the lever extends the shoot bolts for a tighter weather seal and enhanced security
- Downward lever action retracts all locking points for free egress

Technical Specifications

Schlage Artus Specification

Materials	304SS body and lever
Finishes	Satin Nickel Plate or Matte Black
Keypad	12 keys with individual LED illumination
Feedback	Voice guidance, audible tones and LED indicators
Lock type	Mortice lock included
Temperature range	-30°C to 55°C
Humidity	0 to 95%, non condensing
Suitable environment	Recommended for aluminium
Batteries	4x 1.5V AA alkaline batteries
Battery life	Approximately 1 year (10 uses per day with regular firmware updates)
Door thickness	35mm-60mm (recommended door thickness range). Range can be extended using appropriate mounting screws and spindle (not included in the box)
External body dimensions	314mm x 43mm x 54mm (L x W x D)
Internal body dimensions	314mm x 43mm x 54mm (L x W x D)
Maximum door height with standard rod kit	2.6m
Maximum door height with extension rod	3.6m

Schlage Artus Functions

Low battery alarm	Yes
Built-in alarm technology	Yes
Incorrect PIN code lockout alarm	Yes
Passage mode	Yes (via app)
One-time password	Yes
Remote unlocking	Yes (via Schlage Wi-Fi Bridge BZ100)
Generate random PIN codes remotely	Yes
Create custom PIN codes remotely	Yes (via Schlage Wi-Fi Bridge BZ100)
Bluetooth app	Yes (required for setup)

Schlage Artus Credentials Specification

Access methods	Keypad, key tag, Bluetooth app, or Wi-Fi via bridge
Bluetooth app	Schlage Breeze
Key override	Override cylinder with 2 keys
Number of users	500
Key tags	Up to 200 (3x tags included)
PIN code	Up to 150
PIN code length	4-9 digits
Verification time	<1s

App Specification (Schlage Breeze)

Platform	iPhone (iOS 9.0 and above) Android (4.4 and above)
Languages	English, Japanese, Korean, French, Dutch, Italian, Spanish, German, Portuguese, Polish, Russian, Vietnamese, Arabic, Slovak, Serbian, Malay, Hungarian, Czech, Hebrew, Simplified Chinese, Traditional Chinese (Hong Kong), Traditional Chinese (Taiwan)
Device management	Add, modify, remove, check status
Functions	Lock/unlock, send mobile credentials, add users, and check audit trail

Schlage Virtus-E Multipoint Lock Specification

Door type	Aluminium
Door thickness	Minimum 35mm (max dependent upon electronic lock furniture fixings and spindle length)
Door height	2.6m with standard rod kit, 3.6m with extension kit
Backset	40mm or 60mm
Spindle size	8mm
Throw length	Latch: 13mm Auxiliary latch: 8.6mm Deadbolt: 13mm Top/bottom bolts: 21mm
Lock case material	Zinc die-cast
Forend	Stainless steel, square edged
Lever furniture	Can be used with Schlage Artus and Schlage Resolute smart locks
Strike	For aluminium frame strikes, refer to frame manufacturer
Product codes	40mm backset: 4PTE-40S 60mm backset: 4PTE-60S Four point lock rod kit: 4PT-RK25 1m extension kit for 4PT-RK25: 4PT-RKEX

Finishes



Black/MB
Black/Matte
Black



SNP
Satin Nickel
Plate

Testing and Compliance

Lock Rating:
Tested to AS4145.2:2008 standard



Durability:
Rated D8, tested for 500,000 cycles of latch operation

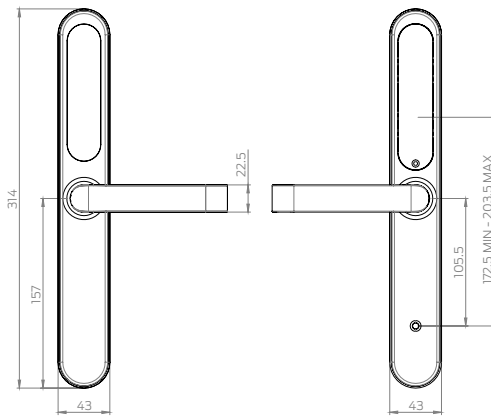
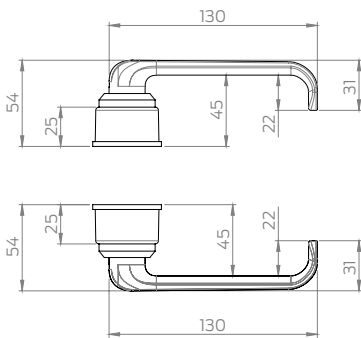


Security:
Rated S8 (key components manufactured using high strength steel); stays secured under abusive loads



Accessibility:
Compliant to the AS 1428:1-2009 Design for Access and Mobility

Schlage Artus



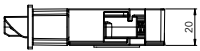
External lock body



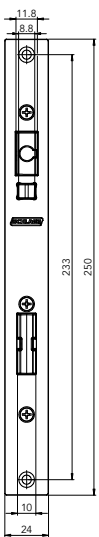
Internal lock body

Schlage Virtus-E Multipoint Lock

Top View

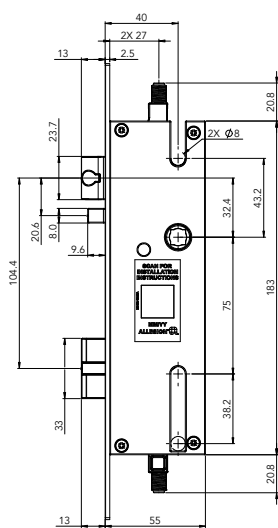


End View



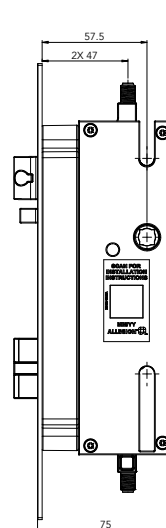
Side View

40mm backset

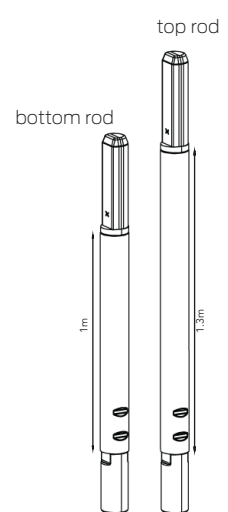


Side View

60mm backset



Rod Kit



top rod

bottom rod

1.3m

1m

Schlage Artus Accessories

Schlage Wi-Fi Bridge BZ100

Compatible with	Schlage Ascent, Schlage Artus, Schlage Resolute, Schlage Omnia, and Schlage eGO Smart Locks
Model	Schlage Wi-Fi Bridge (BZ100)
Dimensions	70mm x 70mm x 26mm
Network	Wi-Fi 2.4GHz
IEEE standard	802.11 b/g/n
Power interface	Type-C USB
Power input	5V/500mA
Warranty	1 year

