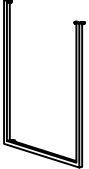
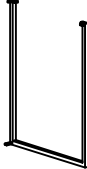



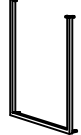




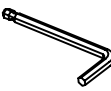
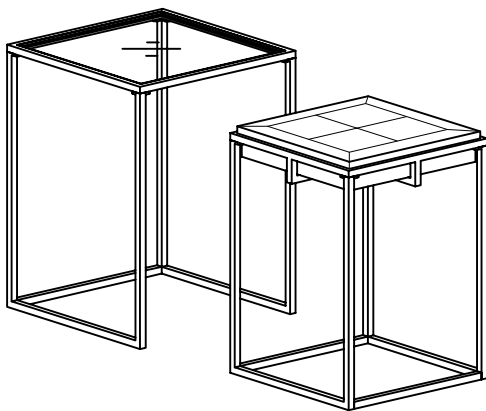


# ASSEMBLY INSTRUCTION

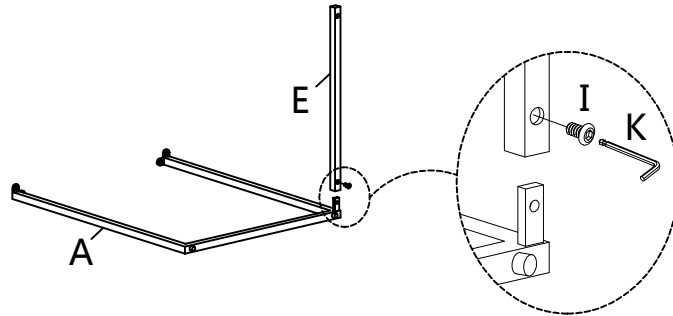
## SQUARE NESTING ACCENT TABLE

<b>A</b> Top Frame Leg - Left  1 PC	<b>B</b> Top Frame Leg - Right  1 PC	<b>C</b> Top Frame  1 PC
<b>D</b> Glass Top  1 PC	<b>E</b> Top Frame Rail  1 PC	<b>F</b> Table Leg  2 PCS
<b>G</b> Table Top  1 PC	<b>H</b> Table Rail  2 PCS	<b>I</b> Bolt 1/4" x 1/2"  22 PCS
<b>J</b> Pad ø8 x 3  4 PCS	<b>K</b> Allen Key M4  1 PC	

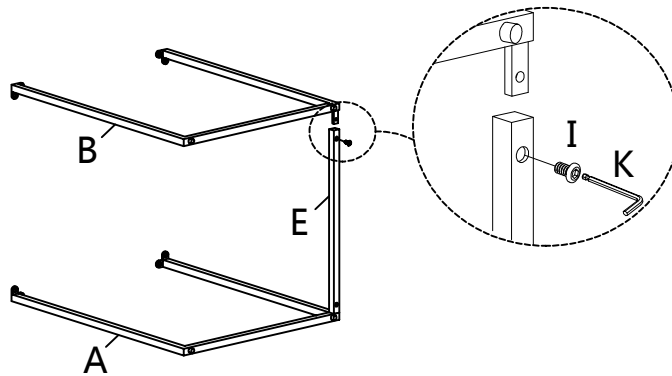


This page lists all the contents included in the box. Please take the time to identify the hardware as well as the individual components to this product. As you unpack and prepare for assembly, place the contents on a carpeted or padded area to protect them from damage.

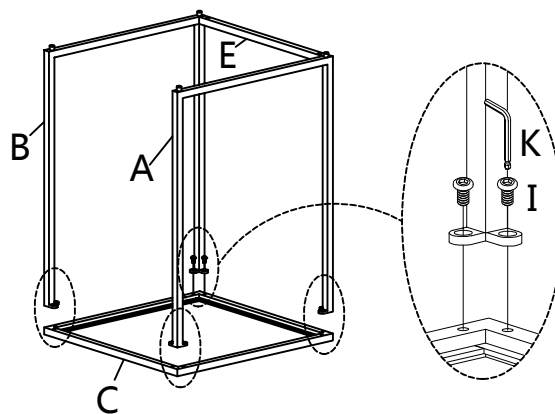
- 1** Insert Top Frame Rail (E) to Top Frame Leg - Left (A) using Bolt (I) with Allen Key (K).  
**Note: Do not fully tighten the bolts at this step.**



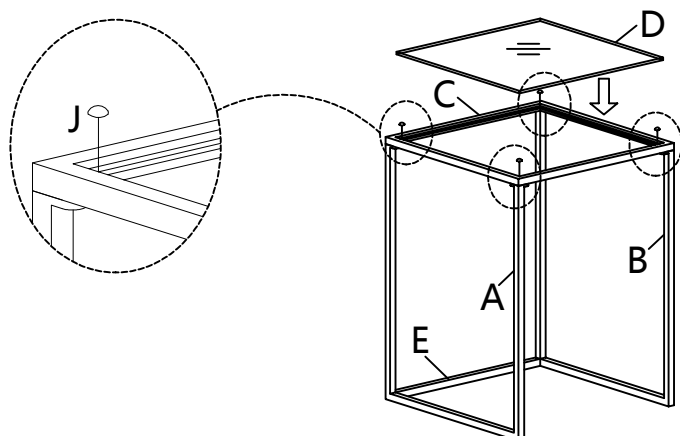
- 2** Insert Top Frame Leg - Right (B) to Top Frame Rail (E) using Bolt (I) with Allen Key (K).  
**Note: Do not fully tighten the bolts at this step.**



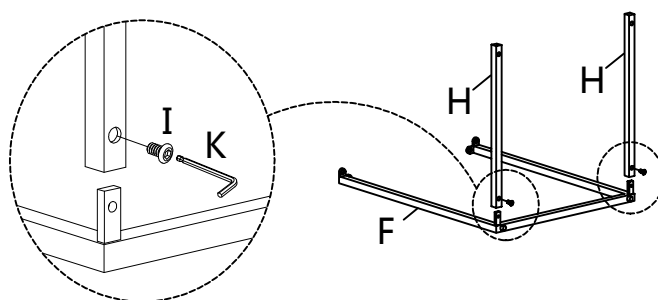
- 3** Attach assembled metal base (C) to bottom of Top Frame (A, B, E) using Bolt (I) with Allen Key (K).  
**NOTE: Fully tighten all bolts at this step.**



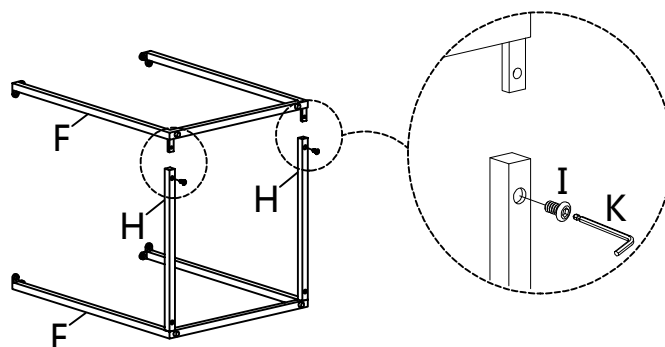
**4** Stand the assembled unit up. Put Pad (J) and Glass Top (D) on Top Frame (C).



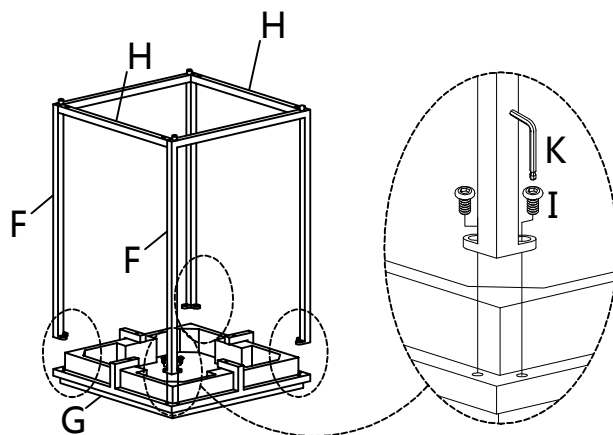
**5** Insert Table Rail (H) to Table Leg (F) using Bolt (I) with Allen Key (K).  
**Note: Do not fully tighten the bolts at this step.**



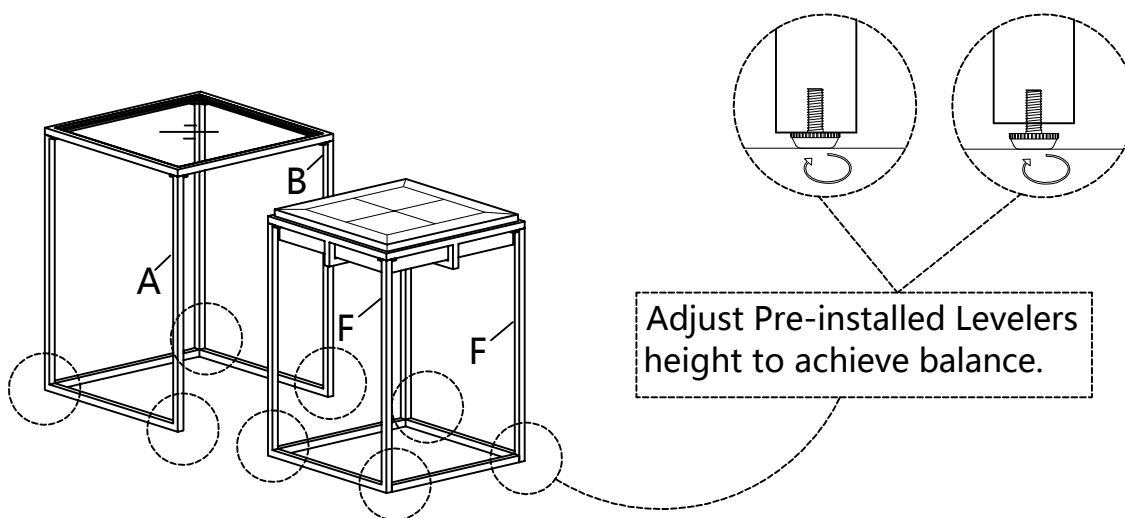
**6** Insert Table Leg (F) to Table Rail (H) using Bolt (I) with Allen Key (K).  
**Note: Do not fully tighten the bolts at this step.**



- 7** Attach assembled metal base to bottom of Table Top (G) using Bolt (I) with Allen Key (K).  
**Note: Fully tighten all bolts at this step.**



- 8** With assistance from your adult partners, turn the Table right way up. Adjust the Pre-installed Levelers on the bottom of Leg (A, B, F) until the Table is level with the ground.



### Cleaning & Care

Treat surfaces with care. Surfaces are resistant to scratches but are not scratch resistant. Clean surfaces with a dry or damp soft cloth. Do not use abrasive cleaners. Hardware may loosen over time. Periodically check that all connections are tight.