

# KOHLER® Faucets MasterShower® temperature and volume control valve trim

## Purist®

### K-T14489-4

#### Features

- Includes faceplate with handles
- Top handle controls volume
- Bottom handle controls temperature setting
- Supplied with ADA-compliant metal lever handles
- Complements Purist faucets and accessories

#### Material

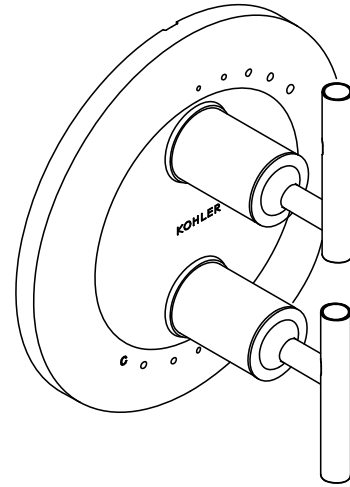
- Premium material construction with metal handle ensures reliability and durability
- KOHLER finishes resist corrosion and tarnishing

#### Installation

- Trim only; requires valve to complete installation (sold separately)

#### Required Products/Accessories

K-2973-KS 1/2" Thermostatic Mixing Valve



ADA CSA B651 OBC

#### Codes/Standards






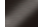
ASME A112.18.1/CSA B125.1  
 ADA  
 ICC/ANSI A117.1  
 CSA B651  
 OBC

#### KOHLER® Faucet Lifetime Limited Warranty

See website for detailed warranty information.

#### Available Colors/Finishes

*Color tiles intended for reference only.*

Color	Code	Description
	CP	Polished Chrome
	SN	Vibrant® Polished Nickel
	BN	Vibrant® Brushed Nickel
	BV	Vibrant® Brushed Bronze
	BL	Matte Black
	BGP	Vibrant Brushed Graphite

1-800-4KOHLER (1-800-456-4537)

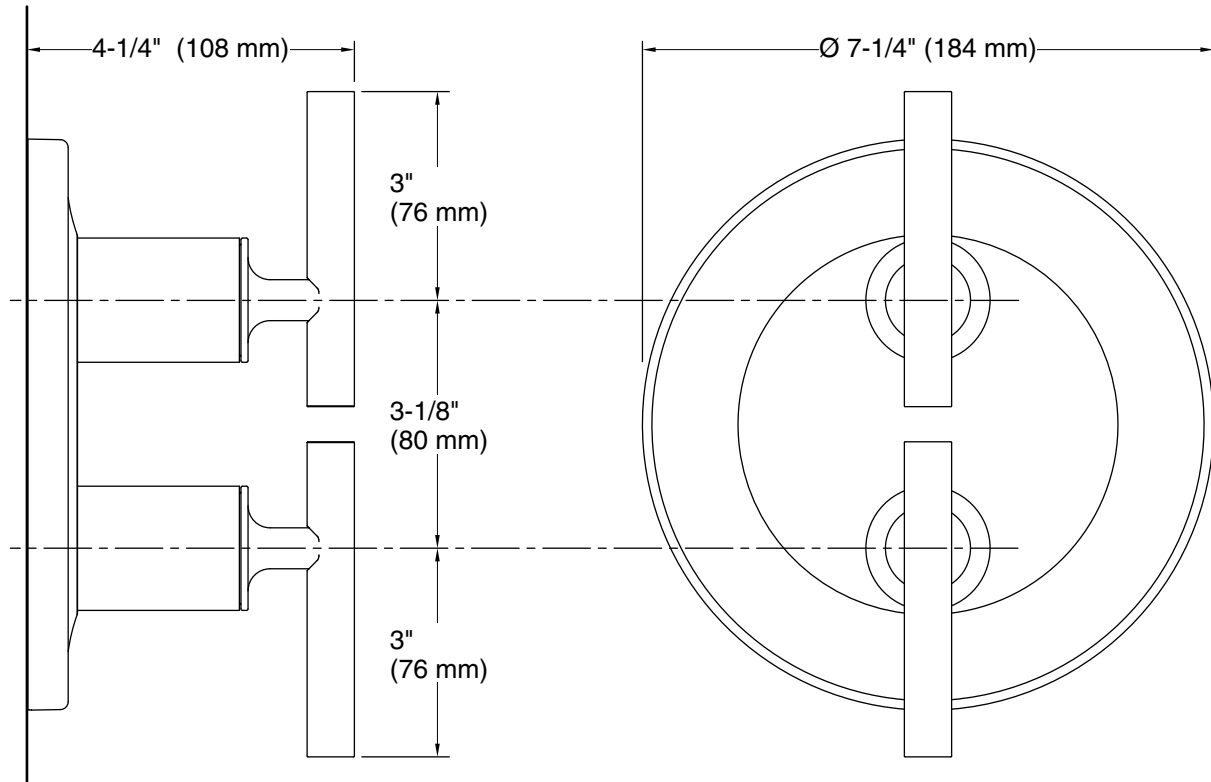
Kohler Co. reserves the right to make revisions without notice to product specifications.

For the most current Specification Sheet, go to [www.kohler.com](http://www.kohler.com) USA or [www.kohler.ca](http://www.kohler.ca) Canada

8-27-2025 21:43 - US/CA

THE BOLD LOOK  
 OF **KOHLER**®

**KOHLER** Faucets MasterShower® temperature and volume control valve trim  
**Purist®**  
trim  
**K-T14489-4**



**Technical Information**

All product dimensions are nominal.

**Spout:**

**Notes**

Install this product according to the installation instructions.

ADA, OBC, CSA B651 compliant when installed to the specific requirements of these regulations.