

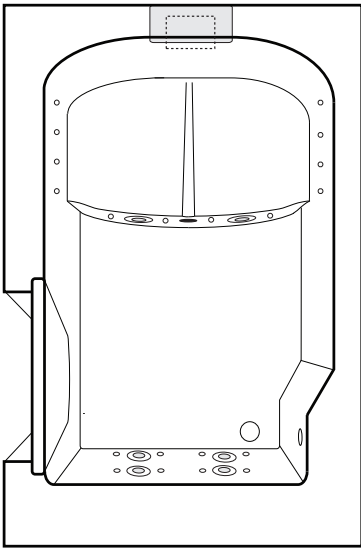
Walk-In Tub



Shown above as Soaker without valve package (MBSWI5030NV).  
See next page for all packages and options.

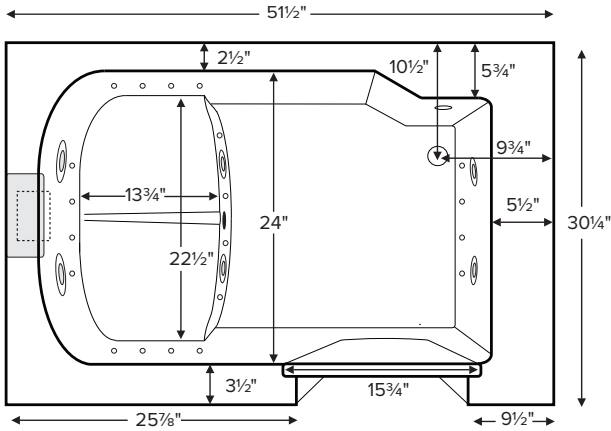
<b>MODEL MBWI5030</b>
<b>51.5" x 30.25" x 37.5"</b>
<b>ALCOVE</b> Fits larger opening with purchase of optional matching extension panels. End panels for alternate installation type are available and <b>MUST</b> be ordered with the tub.
<i>Not recommended as a tub/shower combination</i>
165 lbs / 75 kg soaker 190 lbs / 86 kg plumbed 90 gal to overflow
Filling this tub to the maximum may require an above average size or dedicated water heater.

With Radiance®

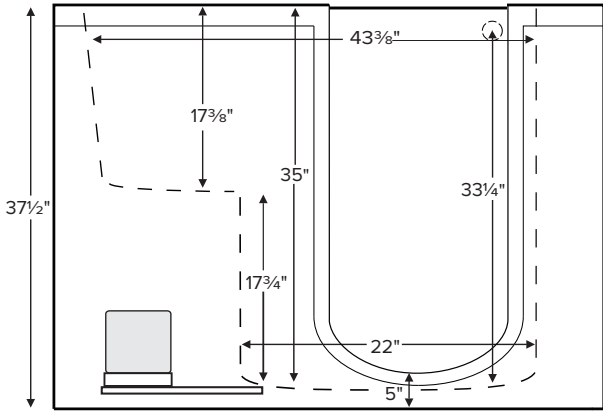


Jets cannot be installed on the backrest of the tub when ordered with Radiance.

Without Radiance®



Shown above as right-hand drain with air and whirlpool package.  
Jet locations change when ordered with Radiance. See left.



**IMPORTANT ORDERING & INSTALLATION INFORMATION:**

- Before ordering or installing, please consider future access to all equipment.
- Removable panels on front skirt
- Quick-release drain kit in chrome finish included
- Comes without valve set. Valve set available. See next page for options.
- Grab bars come installed on tub
- Door gasket protected by limited lifetime warranty
- Suction and control locations may vary.
- Options listed cannot be combined with Designer Collection options.

• Options and accessories may be packaged inside the tub crate. Always check packaging before discarding.  
• All product measurements are +1/2".  
• Specifications and configurations are subject to change without notice.  
• Measurements herein supersede all others published prior to publication date below.

CSA # MTIS- W15030



**MBWI5030**  
Walk-In Tub

Hydrotherapy Package	Package Contents	Part #
Soaker Packages	soaking bath - no jets	MBSWI5030NV
	soaking bath - no jets, Radiance® bath surface heating system	MBSWIR5030NV
Air Bath Packages	20 air jets, heated air blower	MBAWI5030NV
	20 air jets, heated air blower, Radiance® bath surface heating system	MBAWIR5030NV
Whirlpool Packages	6 whirlpool jets, 1-bhp pump	MBWWI5030NV
	6 whirlpool jets, 1-bhp pump, Radiance® bath surface heating system	MBWWIR5030NV

Options <i>Must be ordered at time of purchase</i>
<b>Microbubbles for Walk-in Tub (MBWM)</b> <ul style="list-style-type: none"> <li>Color-matched infusion port</li> <li>Whisper-quiet microbubbles pump</li> </ul>
<b>Whirlpool for Walk-in Tubs with Airbath (MBWP)</b> <ul style="list-style-type: none"> <li>Six whirlpool jets</li> <li>1-bhp whisper-quiet pump with silent air volume control</li> </ul>
<b>Valve Set for Walk-in Tub (MBWV)</b> Includes factory-installed gooseneck spout in chrome with matching Roman tub levers and deck-mounted hand-held shower
<b>Inline Heater</b> maintains water temperature for whirlpool or combo (HTRMTIS) for soaker or airbaths (MBHTISOAK) Includes a recirculating pump <i>Cannot be combined with microbubbles.</i>
<b>End Panel (SKAW25) not sold separately</b>
<b>10" Tub Extension Panel (SKGIW)</b>
<b>Tile Flange</b> factory installed <i>Must specify tile flange location on order</i> 1 side (MBTFK) 2 sides (MBTFK2) 3 sides (MBTFK3)

Required Electrical Service 110 Volt	
Soaker / Inline heater	1-15 amp
Airbath or Whirlpool	
Microbubbles	
Microbubbles / Radiance	1-20 amp
Whirlpool / Inline Heater	
Airbath or Whirlpool / Radiance	
Airbath / Inline Heater	2-15 amp
Soaker / Inline Heater / Radiance	
Airbath / Inline Heater / Radiance	
Whirlpool / Inline Heater / Radiance	
Airbath / Microbubbles Combo	2-20 amp
Airbath / Whirlpool Combo	
Airbath / Whirlpool Combo / Inline Heater	
Airbath / Whirlpool Combo / Radiance	
Airbath / Whirlpool Combo / Inline Heater / Radiance	

**ALL WALK-IN TUB STANDARD FEATURES**

- Constructed of fiberglass / titanium / resin with a marine-grade high-gloss gelcoat finish
- Steel structural frame with 6 leveling legs
- Front removable panels for equipment and valve plumbing access
- Left- or right-hand drain location (must specify when ordering)
- Light-weight marine grade door with easy-to-latch stainless steel hardware
- 2 acrylic grab bars for security
- Quick-release cable drain in chrome finish
- Textured bottom compliant with ASTM C 1028-07 coefficient of friction test
- 2 year residential warranty

**WALK-IN TUB WITH RADIANCE®**

Radiance® is a low voltage surface heating system designed to warm the interior surface of the tub. Radiance® on a unit with whirlpool jets requires relocation of the jets from the backrest to the drain side. See illustration on the previous page.

- Integrated heating grids for backrest area and seat of tub
- Simple push-button on/off switch

**WALK-IN TUB AIR BATH FEATURES**

- Twenty low-profile air jet distribution ports with independent check valves for enhanced sanitation
- Color-matched unobtrusive air jet caps for optimal comfort
- 3/4 bhp heated blower with automatic drying cycle

