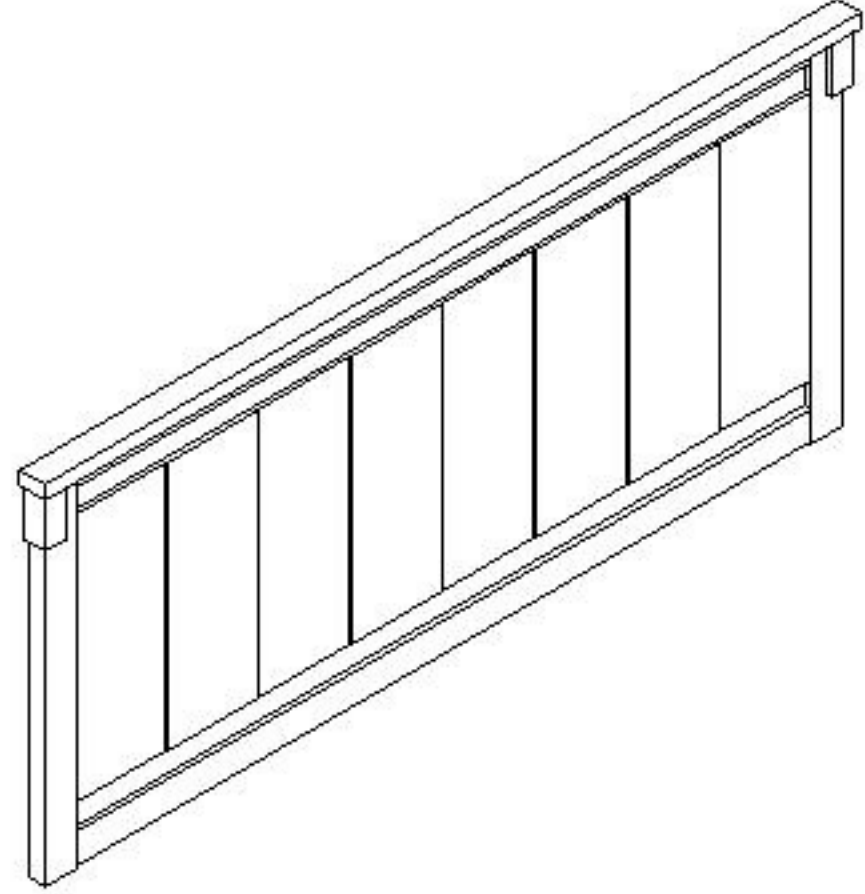


ASSEMBLY INSTRUCTION

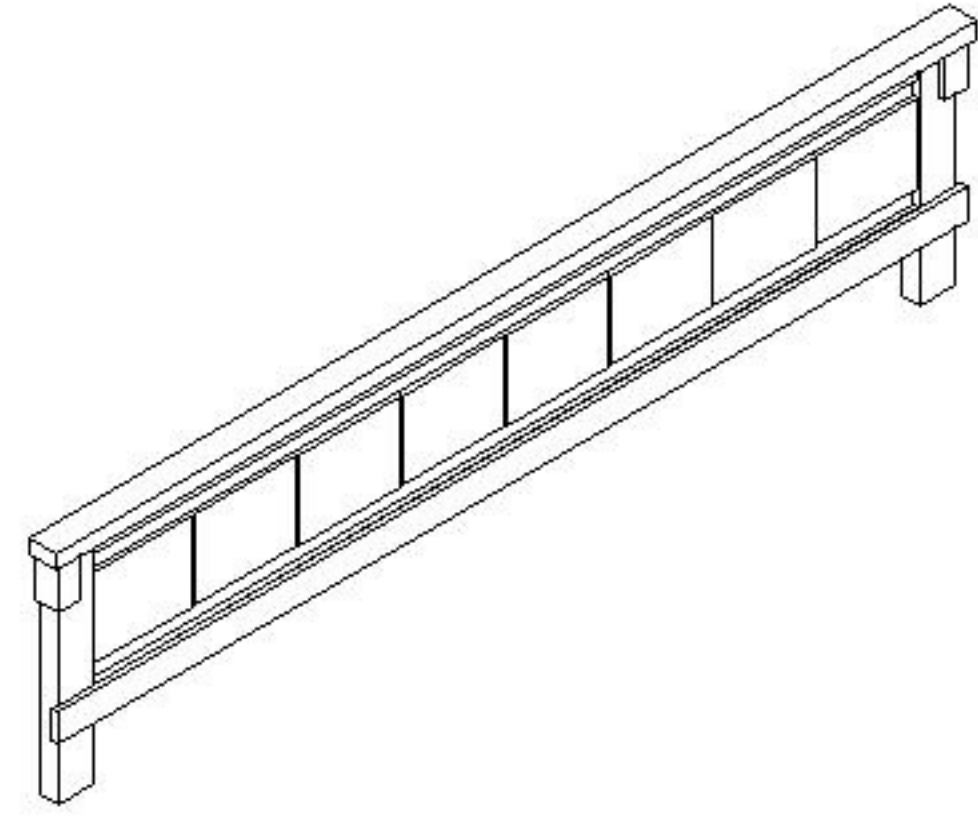
QUEEN BED

A Headboard



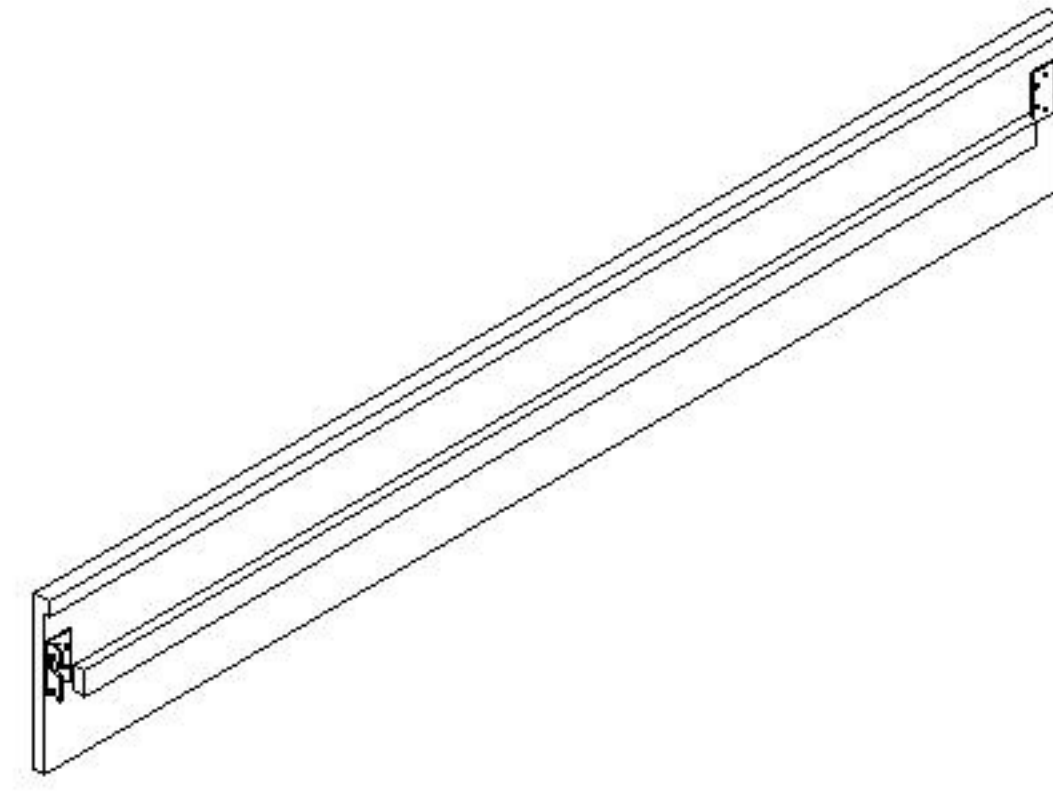
1pc

B Footboard



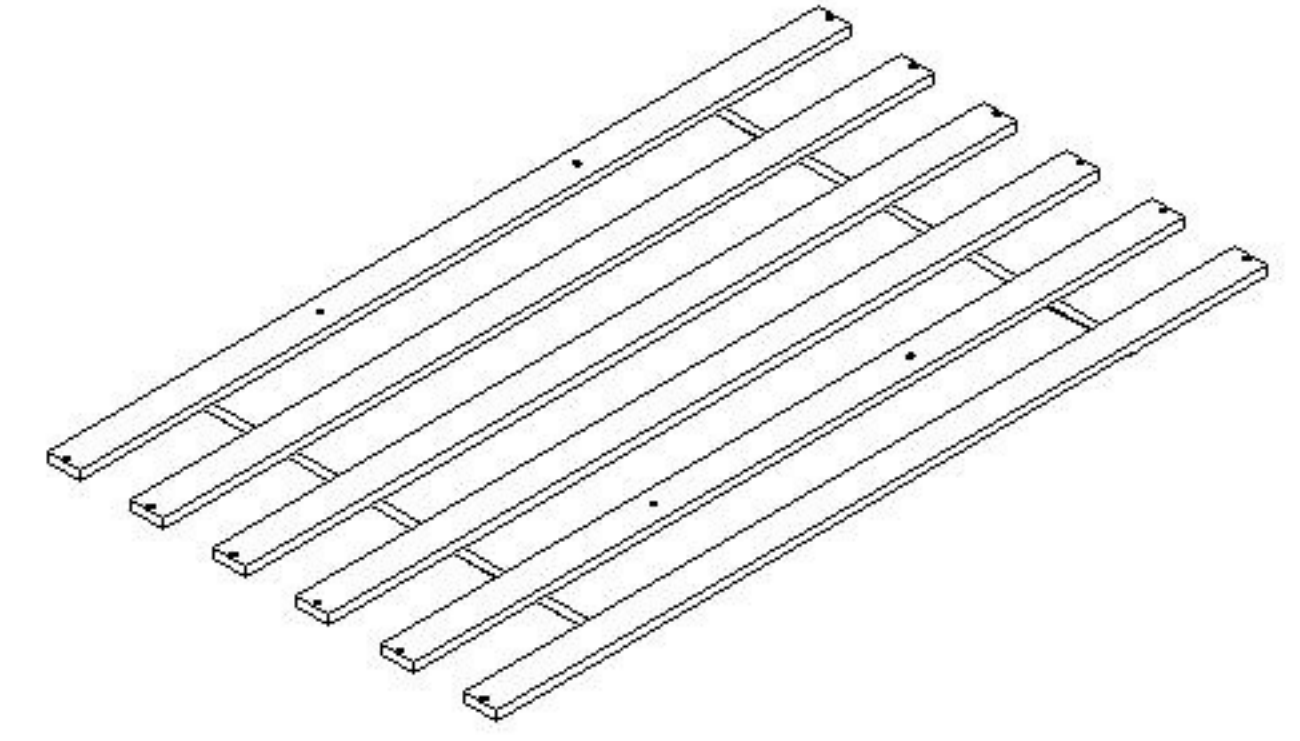
1pc

C Side Rail



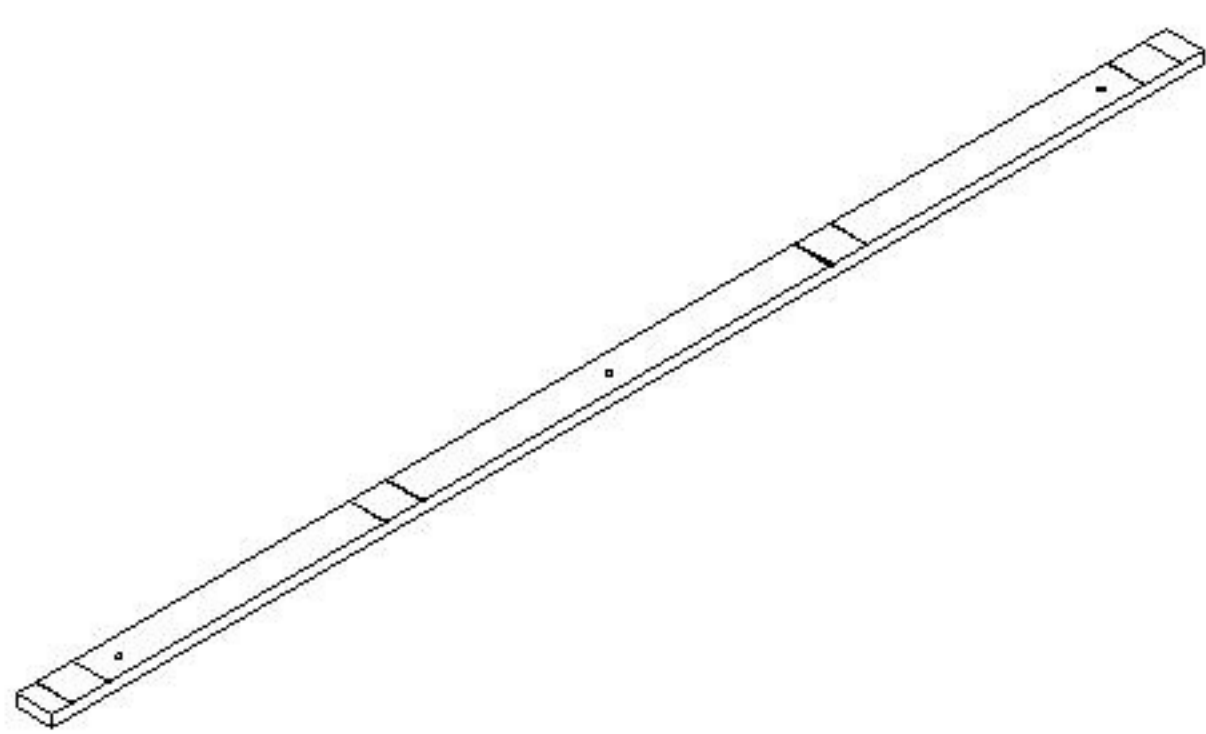
2pcs

D Bed Slat



2sets

E Center Bar



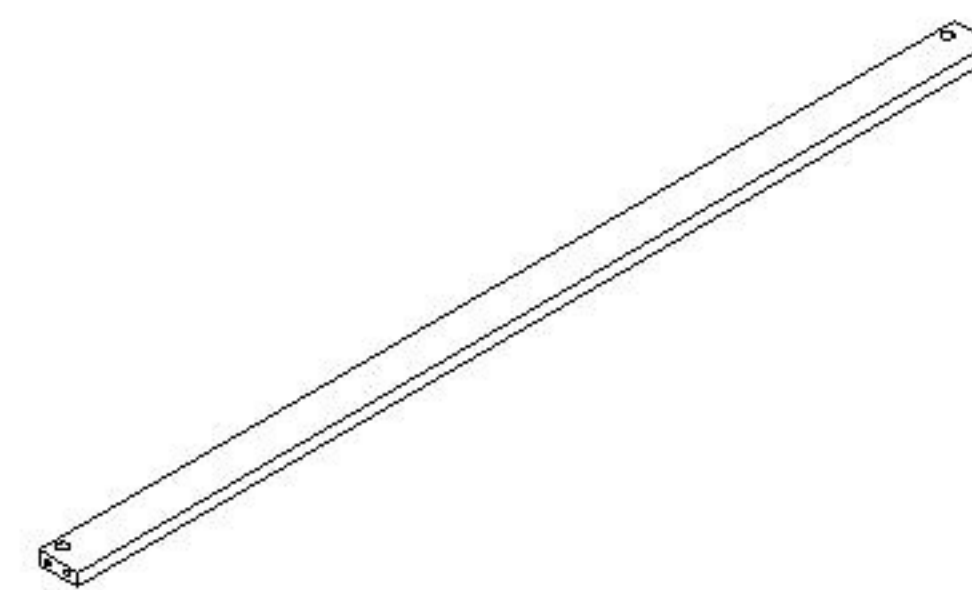
2pcs

F Support Stand



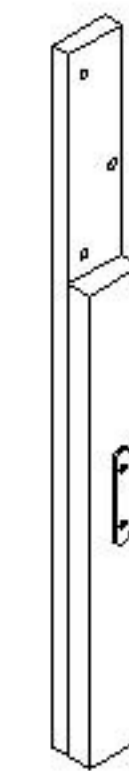
6pcs

G Support Bar



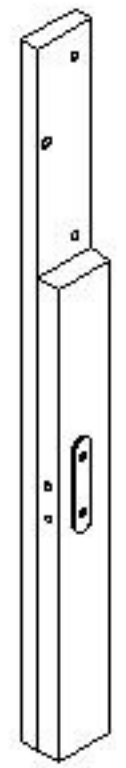
1pc

H Left Headboard Post



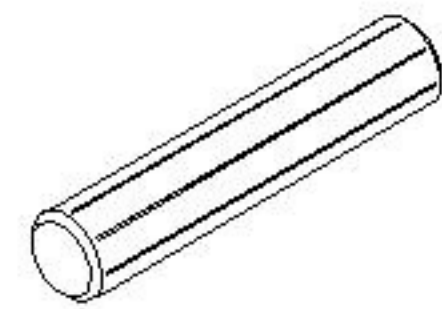
1pc

I Right Headboard Post



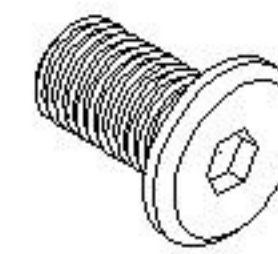
1pc

J Dowel
M8 x 35mm



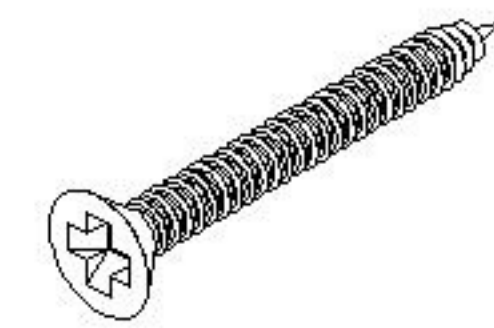
2pcs

K JCBB Screw
M8 x 20mm



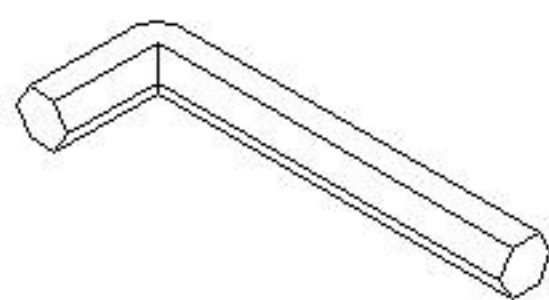
8pcs

L Screw
M4 x 32mm



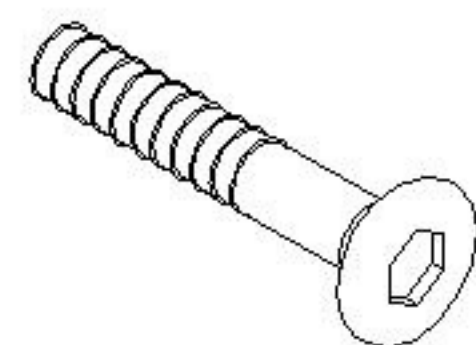
32pcs

M Allen Key
M5



1pc

N JCBC Screw
M8 x 30mm



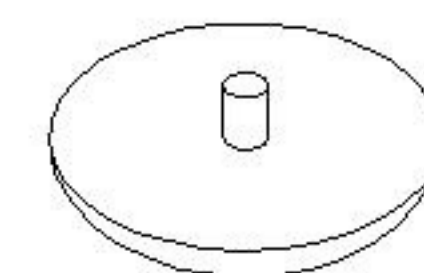
6pcs

O Spring Washer
M8



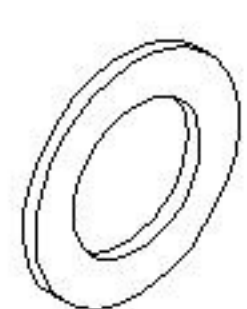
6pcs

P Cam Lock Cover
17 x 5mm



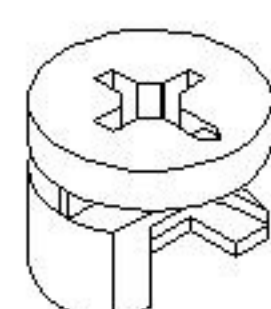
2pcs

Q Flat Washer
M8



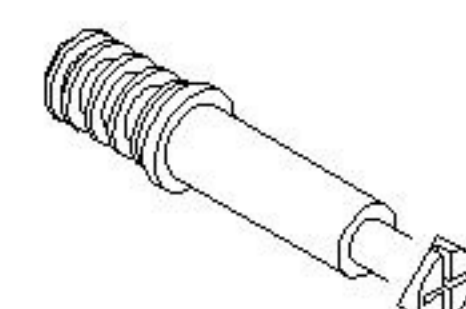
8pcs

R Cam Lock
15 x 12mm

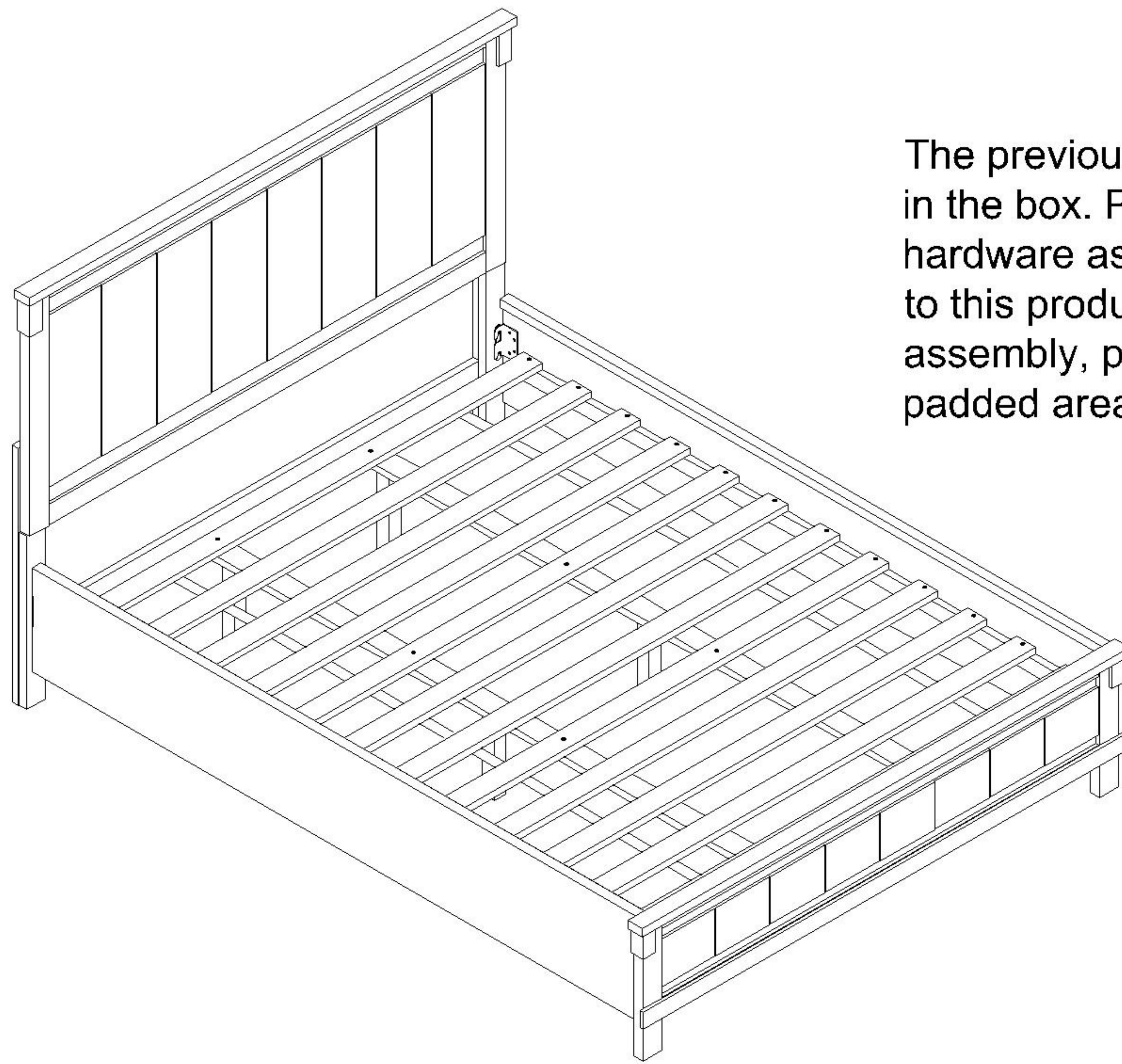


2pcs

S Cam Bolt
5 x 25mm



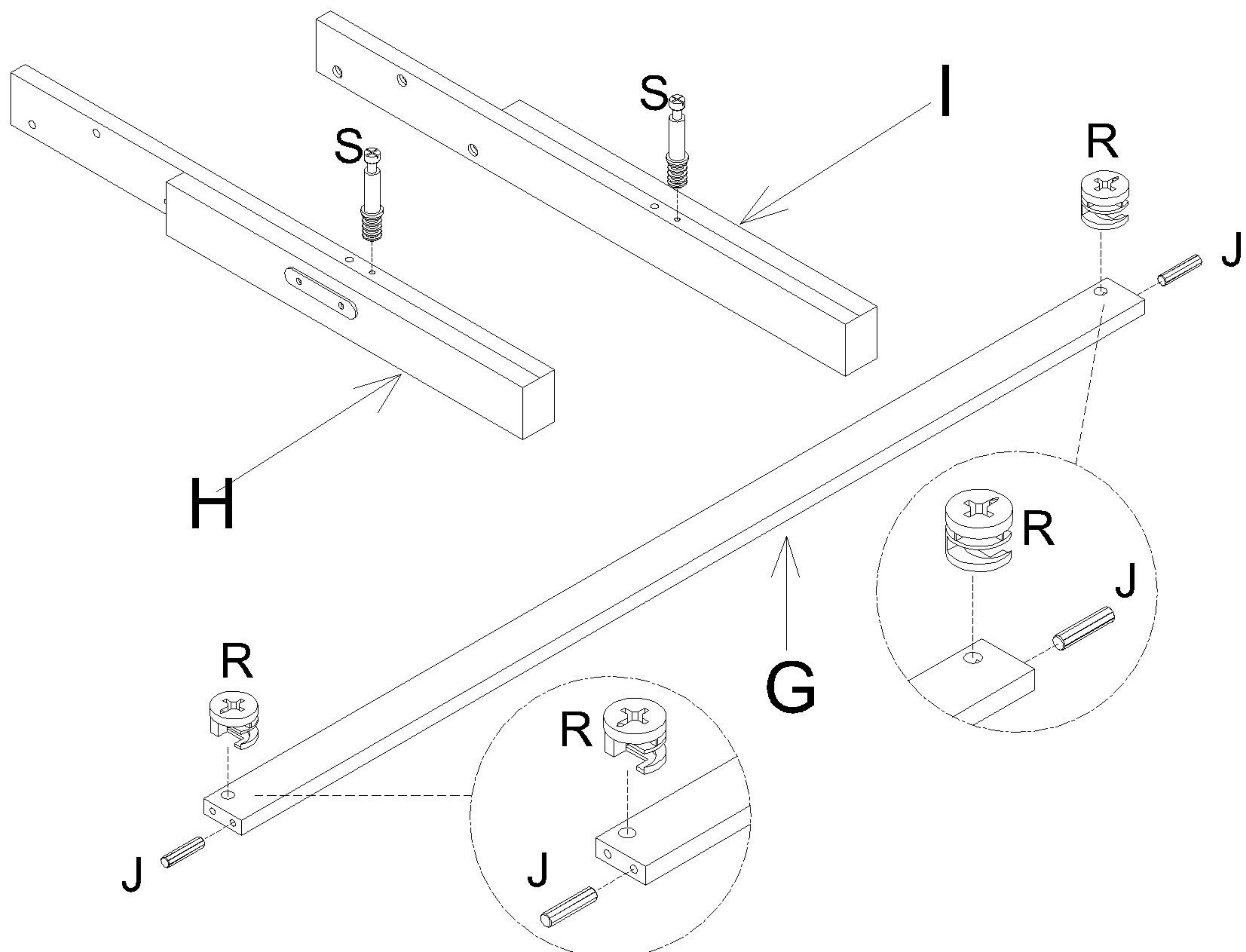
2pcs



The previous page lists all the contents included in the box. Please take the time to identify the hardware as well as the individual components to this product. As you unpack and prepare for assembly, place the contents on a carpeted or padded area to protect them from damage.

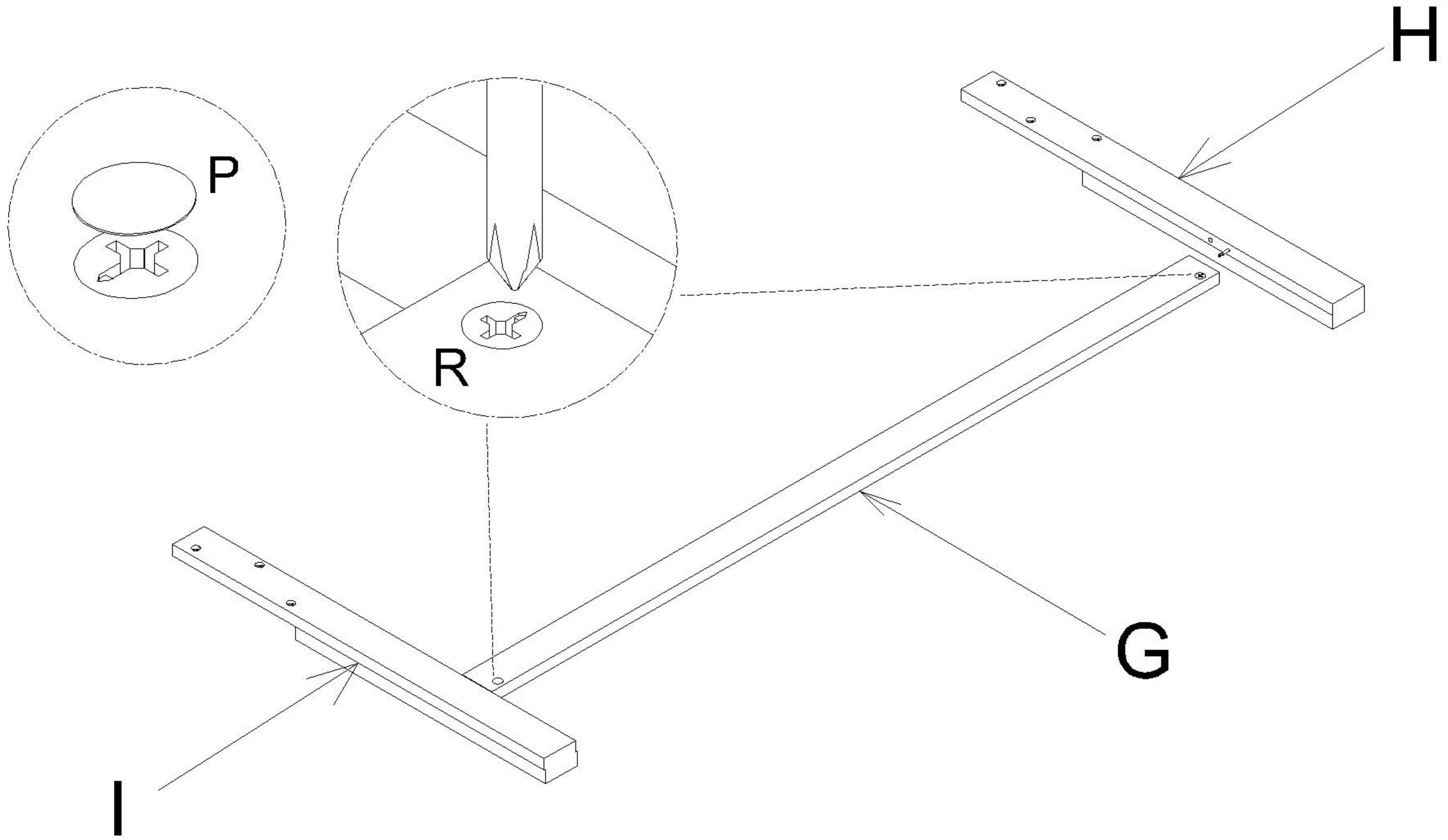
1 Attach Cam Bolt (S) to Left & Right Headboard Post (H & I). Attach Cam Lock (R) and Dowel (J) to Support Bar (G).

NOTE : - Make sure arrows on each Cam Lock (R) points towards nearest edge with holes.

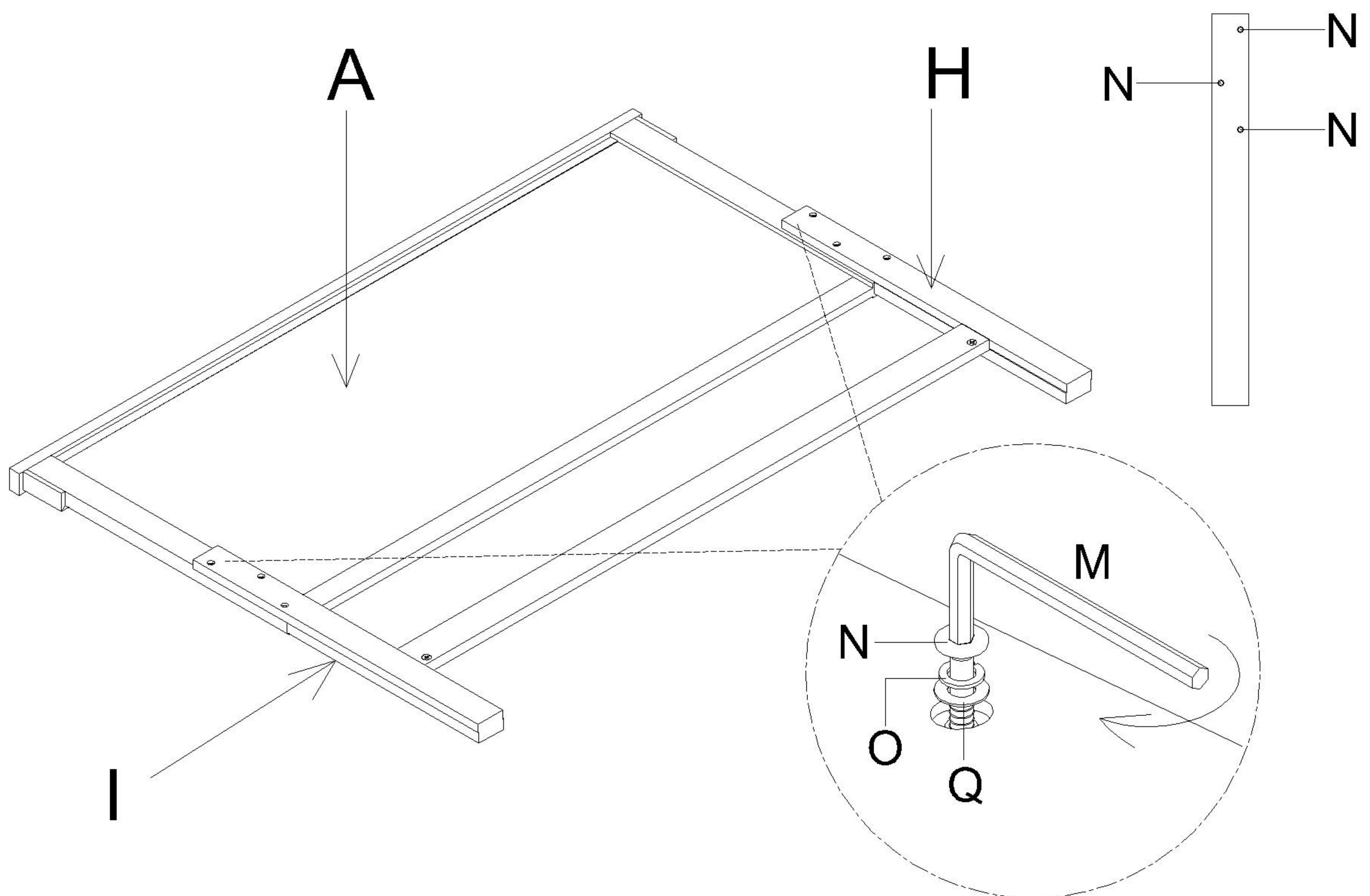


2 Attach Support Bar (G) to Left & Right Headboard Post (H & I) and secure with Cam Lock (R). Cover Cam Lock (R) with Cam Lock Cover (P).

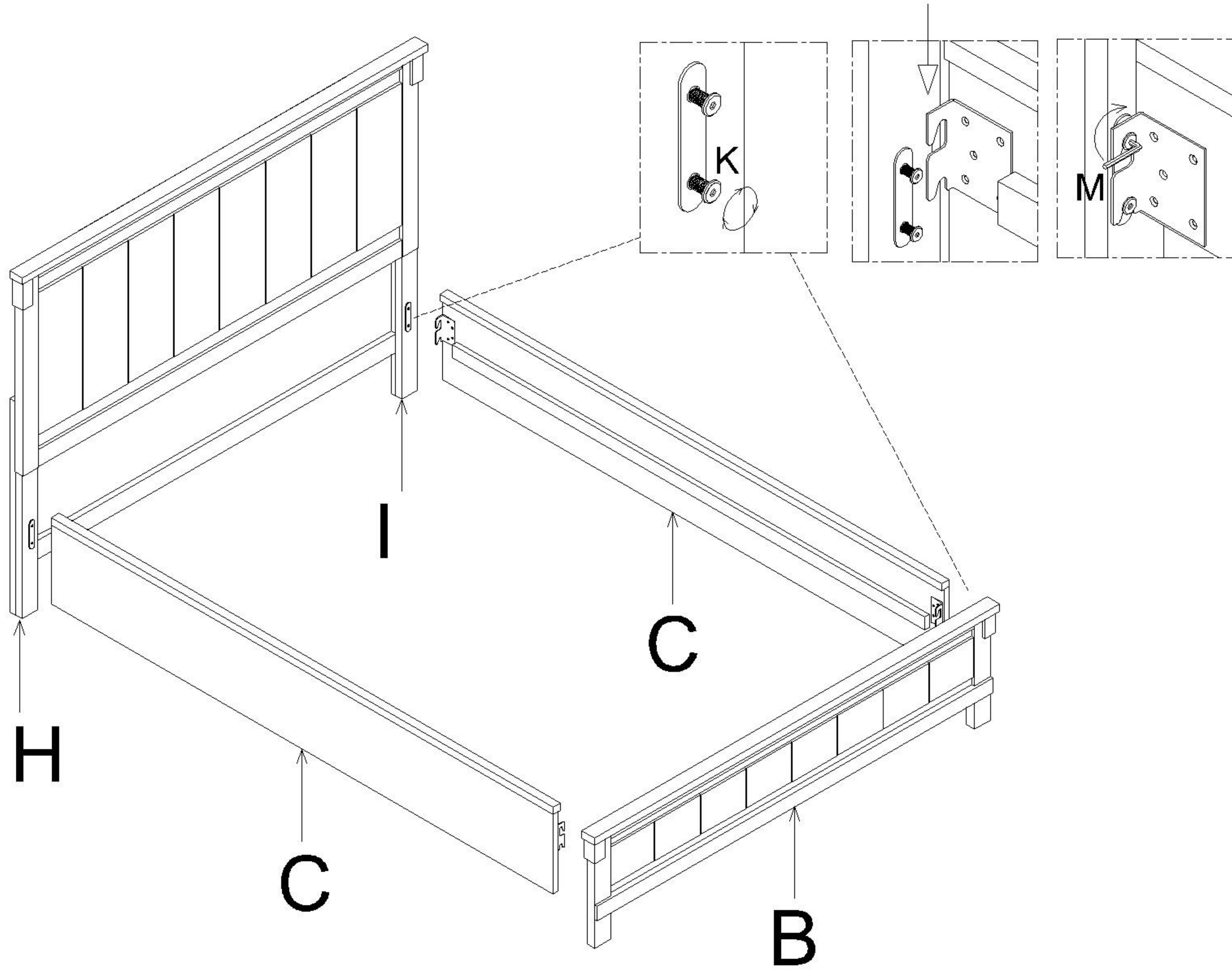
NOTE : - Do not over tighten the Cam Lock (S).



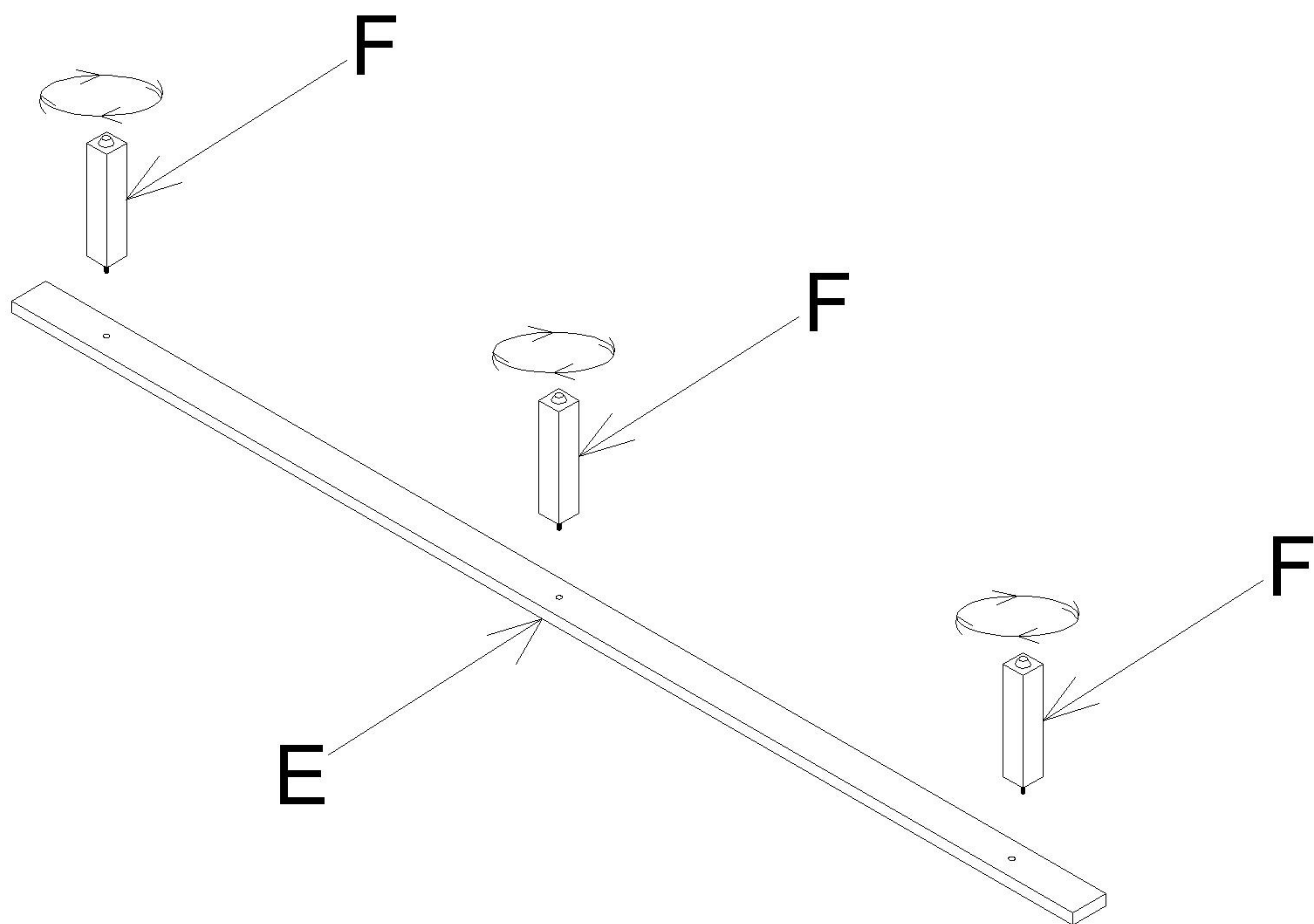
3 Attach Left & Right Headboard Post (H & I) to Headboard (A) and secure with JCBC Screw (N), Spring Washer (O) and Flat Washer (Q) using Allen Key (M).



- 4** Attach JCBB Screw (K) loosely to the bracket at Left & Right Headboard Post (H & I) and Footboard (B). Attach Side Rail (C) to Left & Right Headboard Post (H & I) and Footboard (B) and fully tighten JCBB Screw (K) using Allen Key (M).

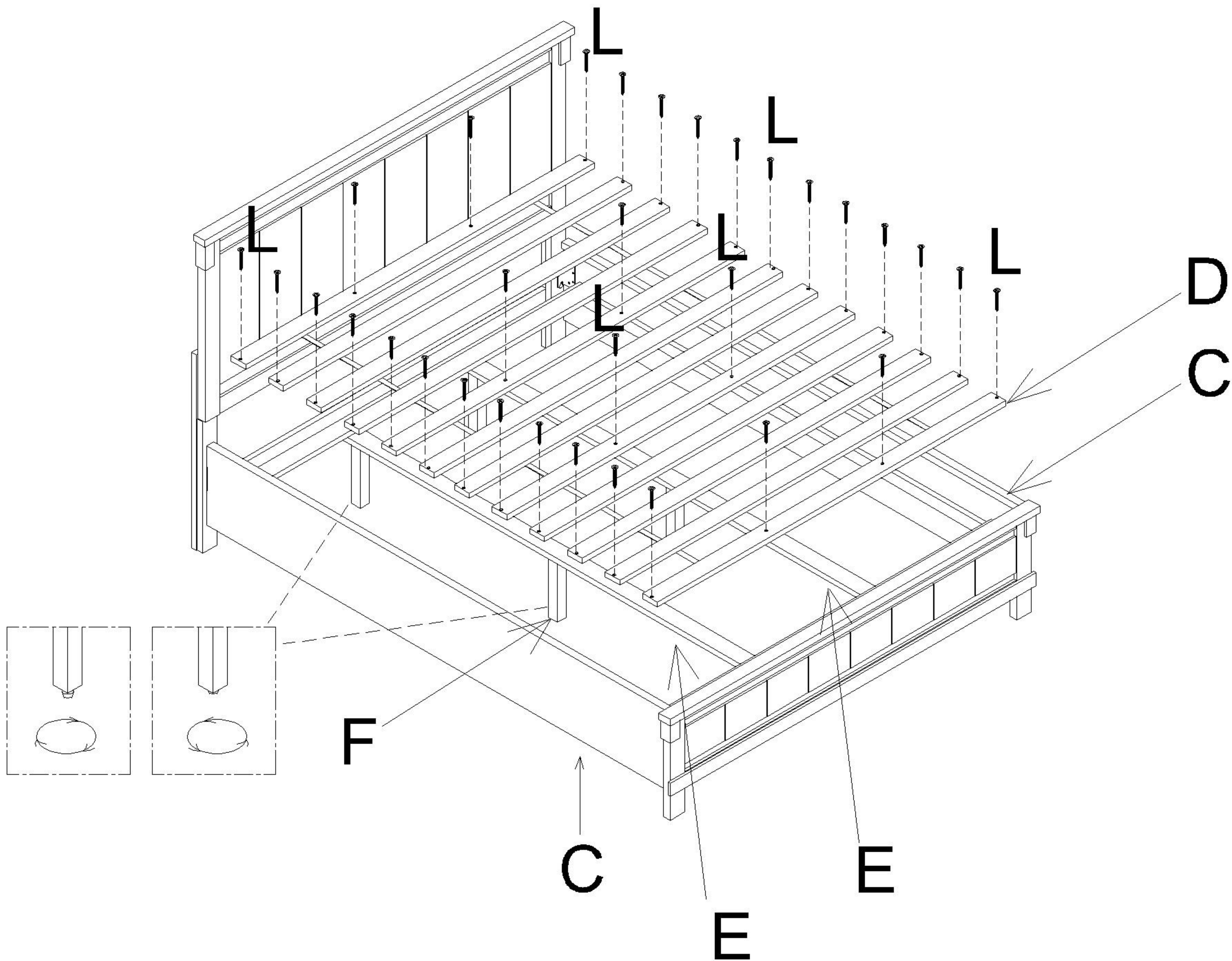


- 5** Attach Support Stand (F) to Center Bar (E) and turn clockwise.



- 6** Place the assembled Center Bar (E) and Support Stand (F) between Headboard and Footboard. Attach Bed Slat (D) to Side Rail (C) and secure with Screw (L). Adjust the levelers on Support Stand (F) as needed.

NOTE : - Do not over tighten the Screw (L).



Cleaning & Care

Treat surface with care. Surface is resistant to scratches but is not scratch resistant. Clean surfaces with a dry or damp soft cloth. Do not use abrasive cleaners. Hardware may loosen over time. Periodically check that all connections are tight.