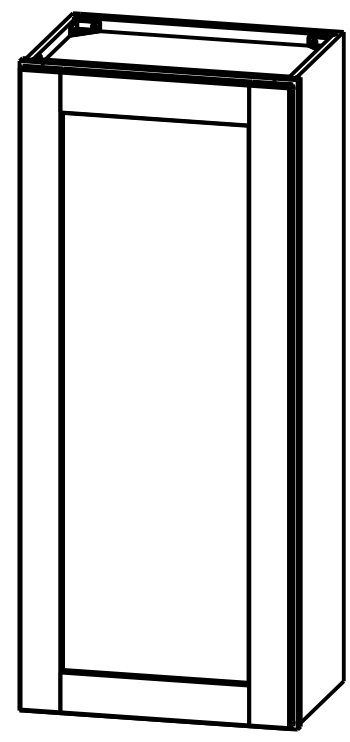
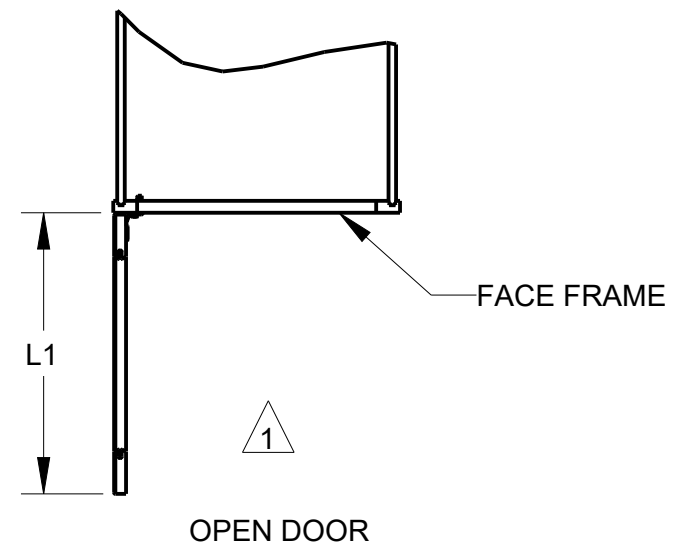
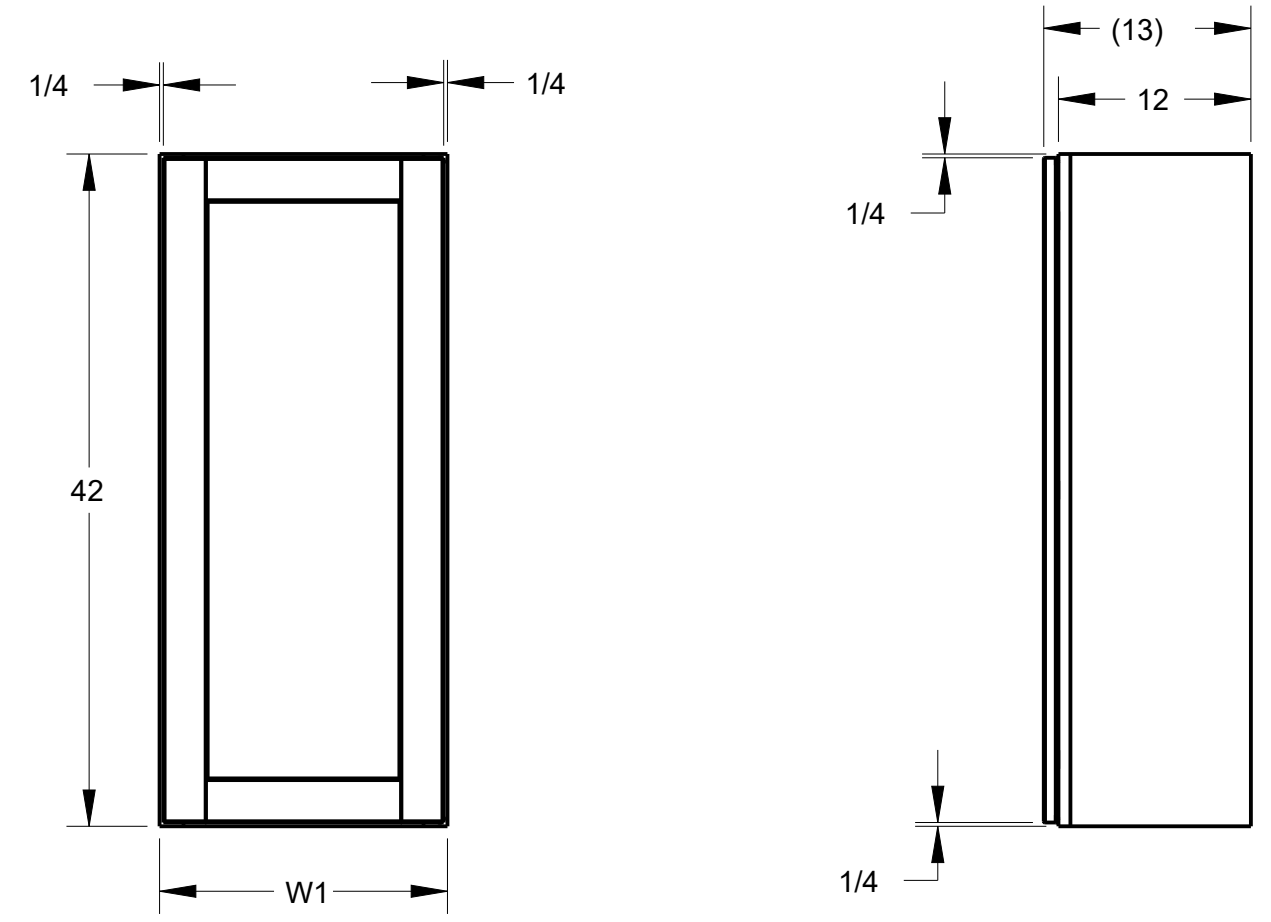


NOTES:

1 OPEN DOOR VIEW INCLUDES HINGE SPACE OFFSET.



PRODUCT	W1	L1	DOOR SIZE
			ROUNDED TO THE NEAREST 1/32
W0942	9"	8 11/16"	8 17/32" X 41 17/32"
W1242	12"	11 11/16"	11 17/32" X 41 17/32"
W1542	15"	14 11/16"	14 17/32" X 41 17/32"
W1842	18"	17 11/16"	17 17/32" X 41 17/32"
W2142	20"	20 11/16"	20 17/32" X 41 17/32"

THIRD ANGLE PROJECTION	
MATERIAL	FINISH
N/A	N/A
DRAWN BY	DATE
E.GOLESTANYAN	18MAR2020
DESIGNED BY	DATE
NORTHPOINT	
APPROVED BY	DATE
GREG DAVIS	27MAR2020

hardware resources

DESCRIPTION

W0942, W1242, W1542, W1842, W2142
FULL OVERLAY

DRAWING NUMBER		REV
W0942-W1242W1542W1842W2142_FULL		B
SIZE	SCALE	SHEET
A3	0.100	1 / 1

PRODUCT SHOWN W1842

DOCUMENT STATUS	Released
-----------------	----------

HARDWARE RESOURCES RESERVES THE RIGHT TO CHANGE SPECIFICATIONS WITHOUT NOTICE. IN CASE OF A DISCREPANCY, ACTUAL PART GEOMETRY SUPERSEDES THIS DOCUMENT.

THE INFORMATION CONTAINED WITHIN THIS DRAWING IS THE SOLE PROPERTY OF HARDWARE RESOURCES INC. ANY REPRODUCTION IN PART OR WHOLE WITHOUT WRITTEN PERMISSION OF HARDWARE RESOURCES INC. IS PROHIBITED.