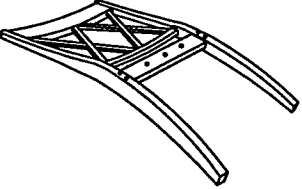
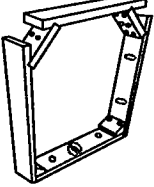


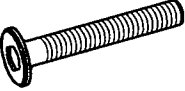
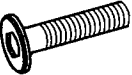


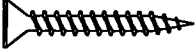

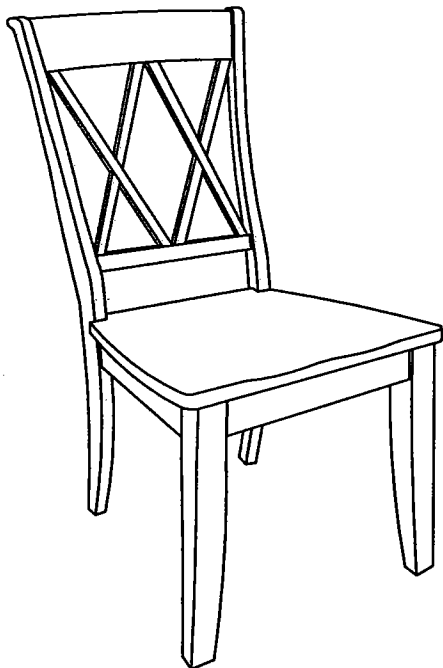


ASSEMBLY INSTRUCTION

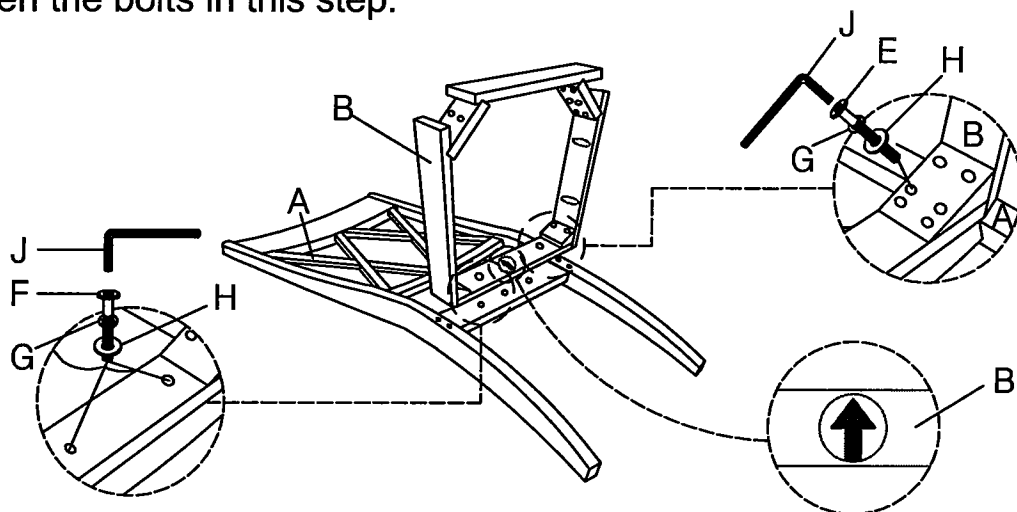
DOUBLE X BACK SIDE CHAIR

A CHAIR BACK 	B BOX FRAME 	C WOODEN SEAT 	D FRONT LEG (LEFT-RIGHT) 
1 PC E JCBC BOLT M6 x 70MM 	1 PC F JCBC BOLT M6 x 40MM 	1 PC G LOCK WASHER M6 	2 PCS H FLAT WASHER M6 x 16MM x 2.0MM 
8 PCS I CSK-CB SCREW #8 x 1" 	2 PCS J ALLEN WRENCH M4 x 60MM 	10 PCS	10 PCS
6 PCS	1 PC		



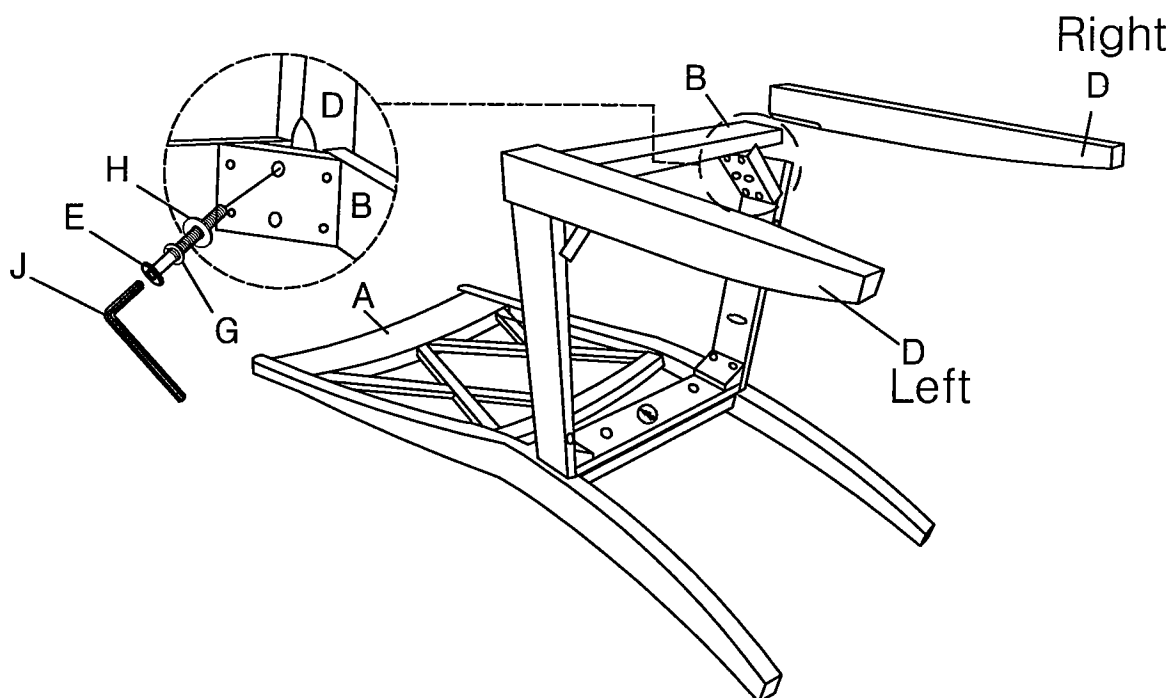
This page lists all the contents included in the box. Please take the time to identify the hardware as well as the individual components to this product. As you unpack and prepare for assembly, place the contents on a carpet or padded area to protect them from damage.

-
- 1** Put the Chair Back (A) and Box Frame (B) upside down on the soft and smooth surface. With assistance attach Box Frame (B) (make sure Arrow sticker is facing upward) onto Chair Back (A). Then insert Jcbc Bolt (E), Lock Washer (G) and Flat Washer (H) into predrilled holes of each corner by using Allen Wrench (J). Insert Jcbc Bolt (F), Lock Washer (G) and Flat Washer (H) into the predrilled holes of the middle of Chair Back (A), by using Allen Wrench (J). Do not fully tighten the bolts in this step.

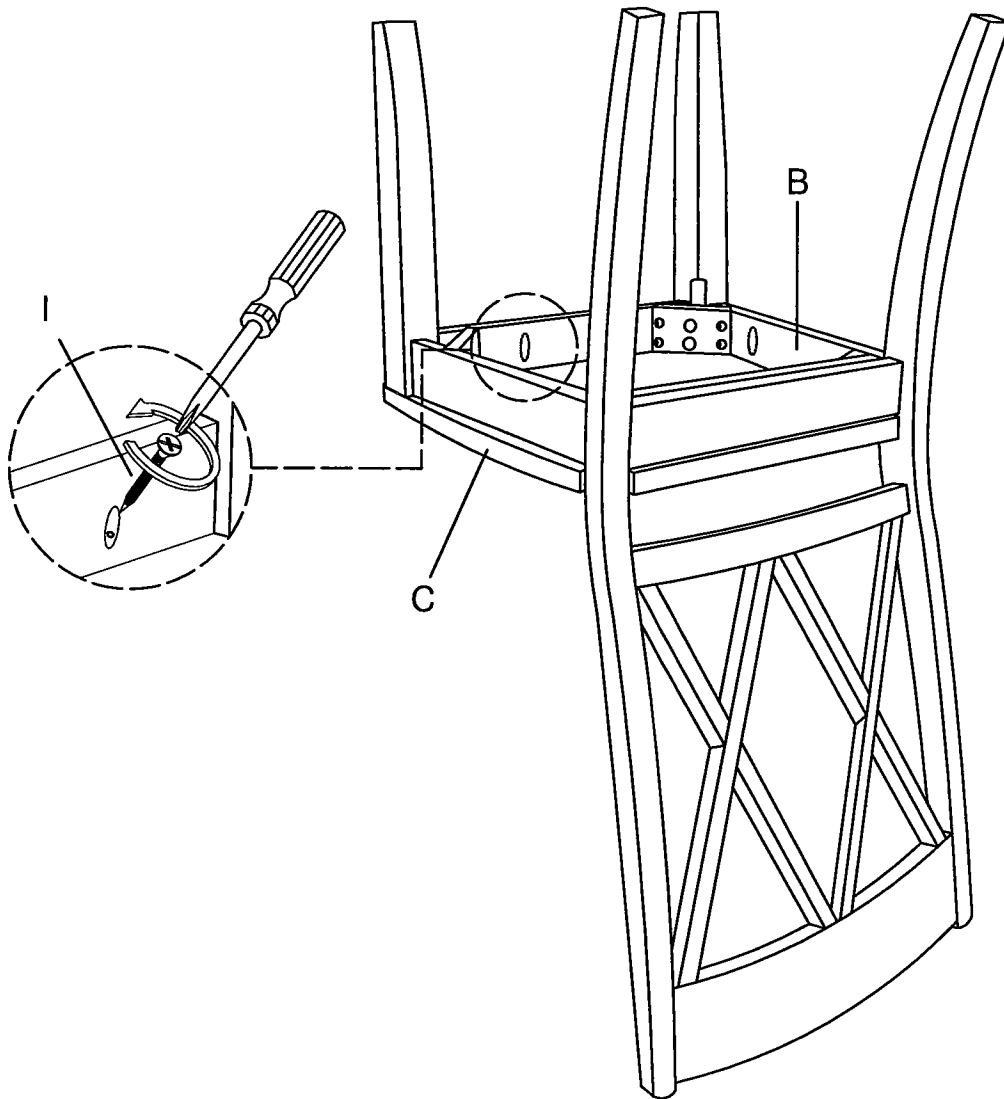


Take the Allen Wrench, and turn the bolts until the legs are secured.
DO NOT TIGHTEN COMPLETELY.
Stop when you feel you are adding force to tighten the bolt.

-
- 2** Attach Front Leg (D) (Left-Right) to corner of Box Frame (B) by inserting Flat Washer (H), Lock Washer (G) and Jcbc Bolt (E) with Allen Wrench (J).



3 Attach Wooden Seat (C) and Box Frame (B) with Csk-Cb Screw (I) by using Screwdriver (not included). Tighten all the screws in this step.



Stand chair up on an even surface and check that it is balanced. If there is a slight wobble, apply downward pressure in the corner where a leg is uneven. Keeping pressure in that corner, tighten all bolts. If balanced, apply downward pressure evenly in the center and tighten all bolts. Do not over-tighten beyond hole depth.

Helpful Tip: - Instead of applying downward pressure while reaching under to tighten bolts, have someone sit in the chair while you tighten the bolts.

Cleaning & Care

Treat Surface with care. Surface is resistant to scratches but is not scratch resistant. Clean surface with a dry or damp soft cloth. Do not use abrasive cleaners. Hardware may loosen over time. Periodically check that all connections are tight.