

NEW VISIONMOUNT® LT25 TILTING MOUNT

**Introducing a new tilting mount so innovative,
you won't want to hide it under a TV**

The new LT25 tilting mount is the perfect addition to any home theater. Its extruded aluminum construction is strong and lightweight, making installation a breeze. Our exclusive ProSet™ post-installation height and leveling adjustments ensure TVs are always perfectly positioned after mounting. The innovative ClickStand™ feature holds the TV away from the wall for easy cable installation and maintenance, then easily snaps shut to secure the TV to the wall plate. ClickFit™ technology allows a surge protector and other accessories to attach easily to the center of the mount, so they stay hidden yet easily accessible. And the open wall plate design provides generous space for cable management and easy wall access.



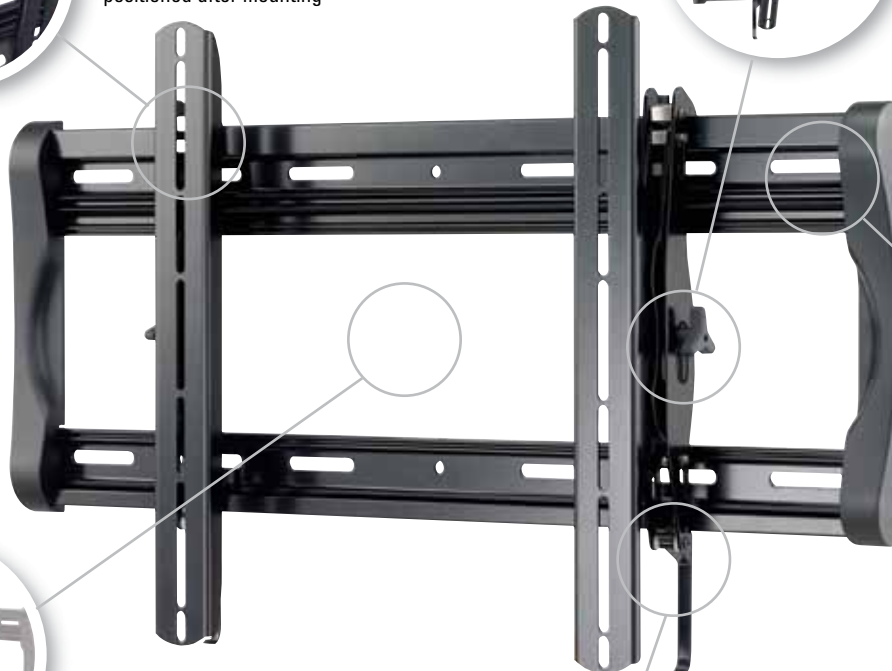
model LT25 shown



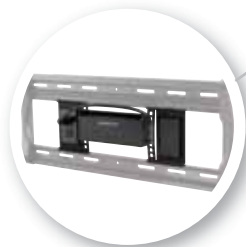
ProSet™ post-installation height and leveling adjustments ensure TVs are always perfectly positioned after mounting



Virtual Axis™ tilting technology allows effortless viewing angle adjustment without the use of tools



Extruded aluminum is strong and lightweight, making installation a breeze



ClickFit™ system allows power conditioners and other small devices to be positioned behind TV for easy access



ClickStand™ feature holds TV an additional 3.75 inches away from wall for easy cable installation and maintenance, then clicks securely back onto wall plate



NEW VISIONMOUNT® LT25 TILTING MOUNT

MODEL: LT25

DESCRIPTION

Large Tilting mount for 37"–84" TVs

PRODUCT DIMENSIONS (w x d x h)

30" x 3" x 18.25"

76.2 x 7.6 x 46.4 cm

PACKAGE DIMENSIONS (w x d x h)

31.25" x 13.5" x 3.75"

79.4 x 34.3 x 9.5 cm

MASTER PACK QUANTITY

3

TV SIZE RANGE/WEIGHT

37"–84" / 175 lbs.

94 - 213 cm / 79.4 kg

TILT RANGE

+8° / -10°

ROLL

+2° / -2°

LIST PRICE

\$219.99



LT25-B1

- Sturdy, ultra-light mount is constructed of extruded aluminum
- ProSet™ post-installation height and leveling adjustments ensure TVs are always perfectly positioned after mounting
- ClickStand™ feature holds TV an additional 3.75 inches away from wall for easy cable installation and maintenance, then clicks securely back onto wall plate
- ClickFit™ system allows power conditioners and other small devices to be positioned behind TV for easy access
- Virtual Axis™ technology offers effortless tilt motion without the use of tools
- Lateral shift allows TV to slide left and right for perfect TV placement, even with off-center studs

Problem:

TV does not appear level with its surroundings.



Solution:

Exclusive ProSet™ technology allows height and leveling adjustments after the TV is mounted.

