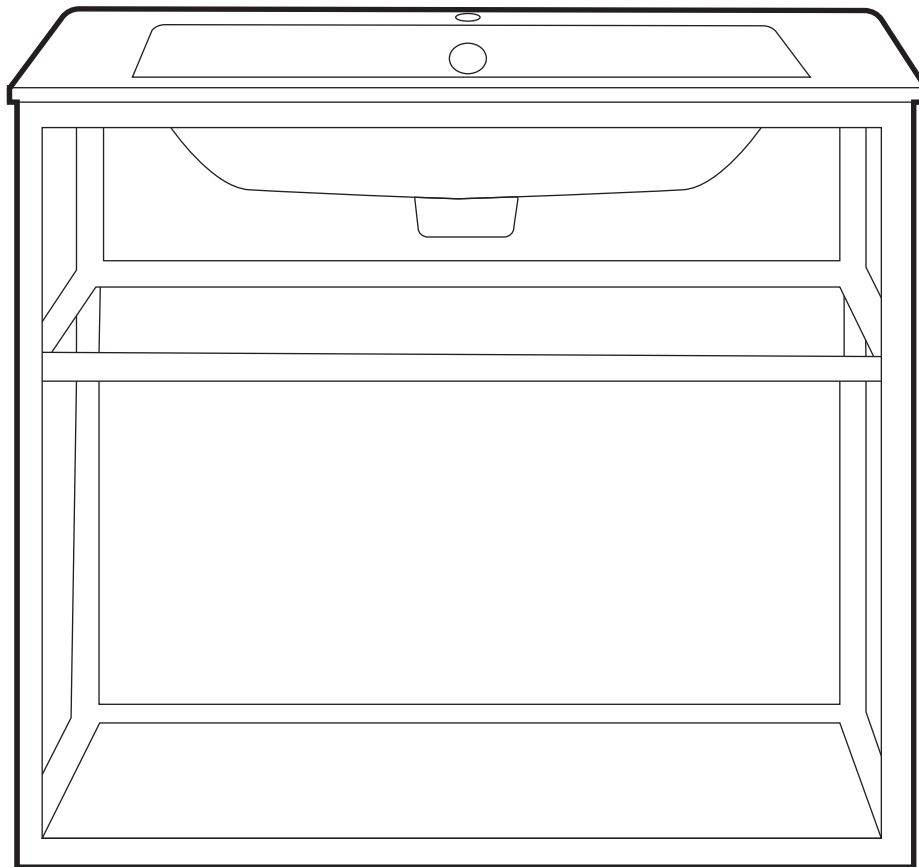


Wall-Mount Vanity

INSTALLATION INSTRUCTIONS





PRIOR TO INSTALLATION:

- Inspect product to ensure no damages have occurred while in shipping.
- Observe all plumbing and building codes in accordance with your state and local requirements.
- Floor must be level prior to installation.
- Console height is not adjustable.
- All dimensions are nominal! Be sure to measure your vanity prior to installation.
- The step-by-step guidelines in the installation instructions are a general reference. Should there be any discrepancies, Swiss Madison cannot be held liable. It is recommended to install all Swiss Madison products by hiring a licensed professional.
- Read installation and maintenance instructions thoroughly before installing. Be sure to use proper tools and always wear proper personal safety accessories for your protection.
- Two people are recommended to install and move this product.

QUESTIONS OR CONCERNS?

Please contact us:

1-434-623-4766

info@swissmadison.com

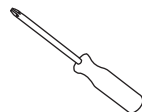
SUGGESTED TOOLS & MATERIALS:



Safety Glasses



Allen Wrench



Screwdrivers



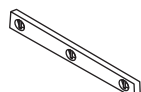
Anchors



Silicone



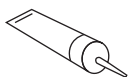
Drop Cloth



Level

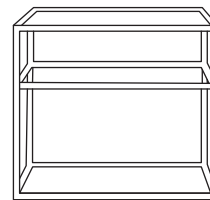


Gloves

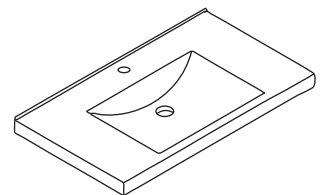


Adhesive

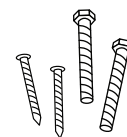
INCLUDED PARTS:



Vanity Base



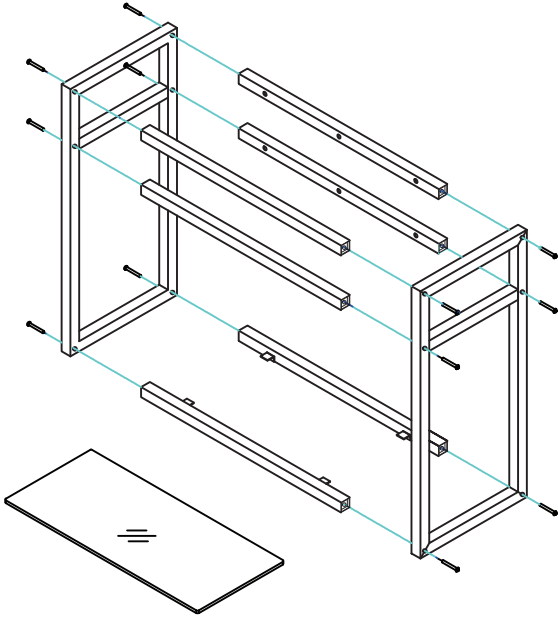
Vanity Sink



Hardware

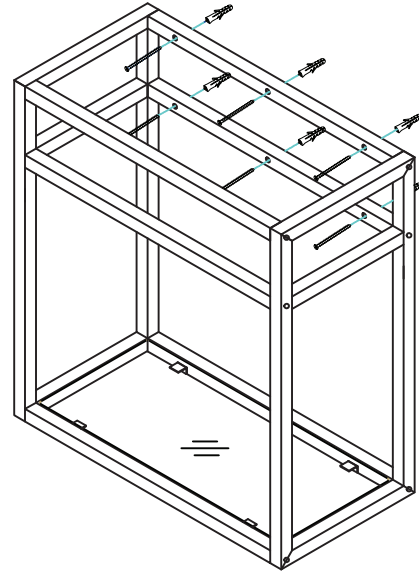
1. Assemble Vanity Base

- Using the provided hardware, assemble the vanity base as illustrated below.



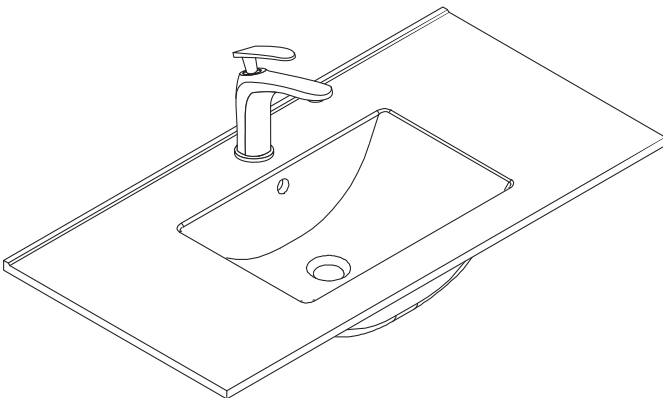
2. Install Vanity Base

- Secure vanity base to the wall in your desired location.
- NOTE:** Use wall anchors along with included hardware.



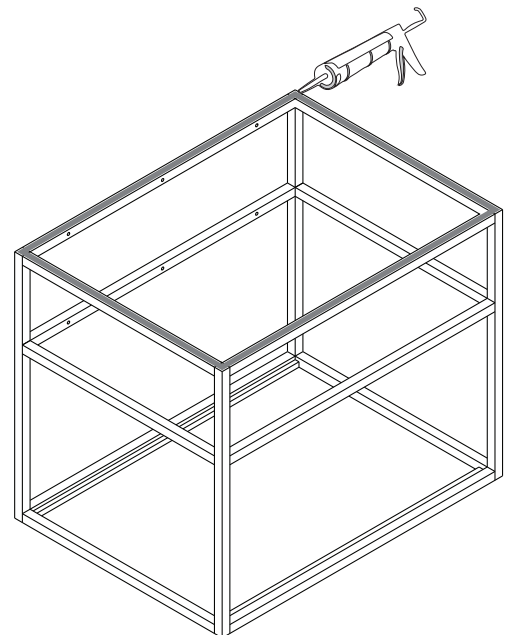
3. Install Faucet and Drain

- Following manufacturer's instructions, install drain and faucet onto vanity top.



4. Apply Adhesive

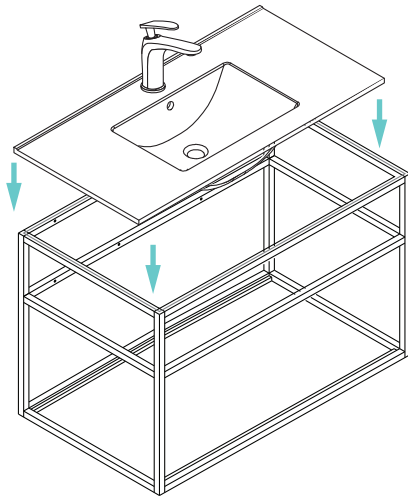
- Using your chosen adhesive, apply a bead of silicone around the rim of the console base.



5. Secure Sink

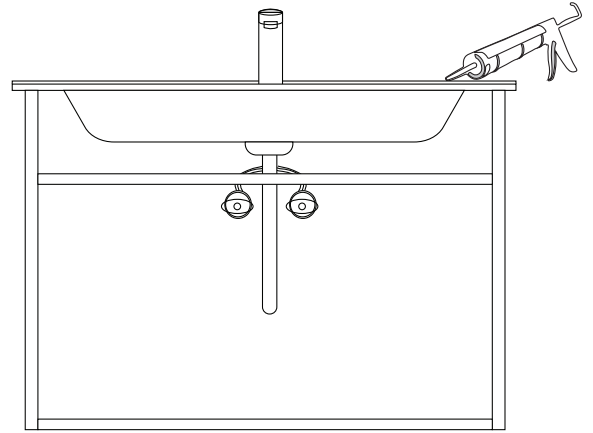
- Carefully lower sink into place so that it is resting on the vanity base.
- Press sink firmly into place and wipe away excess sealant with a damp cloth.
- Allow for adhesive to cure for 24 hours.

NOTE: Curing time may differ depending on which adhesive you use. Be sure to check the instructions on your adhesive prior to use.



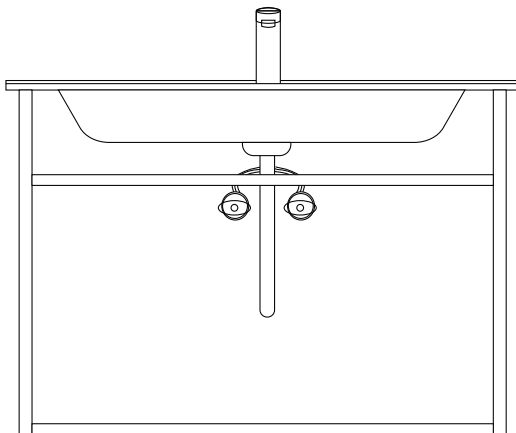
6. Seal Sink

- Apply a bead of caulk along the back edge of the sink against the wall.
- Wipe away any excess.



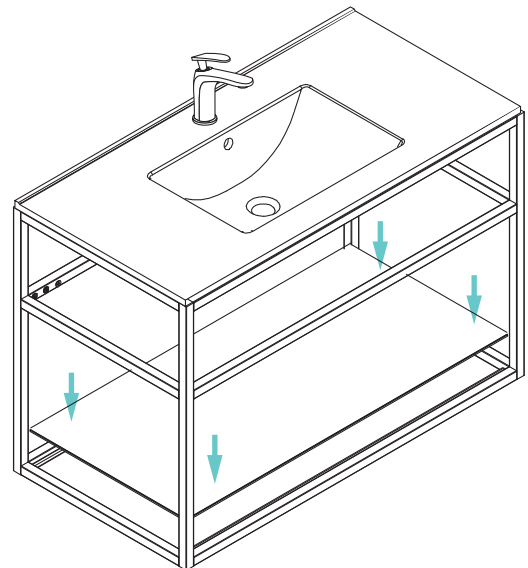
7. Install Plumbing Fixtures

- Connect drain trap to drain & water supply connections to the faucet according to manufacturer's instruction.
- Run water and check for leaks.



8. Install Glass

- Place glass inside of console so it rests on the bottom of the base.
- OPTIONAL:** Use your desired adhesive to permanently set glass into place.



ONE-YEAR LIMITED WARRANTY

Swiss Madison® products are made with quality materials and excellent craftsmanship to provide our customers with beautiful, durable, long-lasting products. Should there be any defects in materials or craftsmanship under regular use that are discovered within the first year after delivery, Swiss Madison® will provide replacement parts at no charge, or at its discretion, replace any product or part of the product that is deemed defective, under normal installation, use, service or maintenance. This warranty applies only to the original purchaser. Proof of purchase must be submitted with any warranty claim.

Swiss Madison® recommends that all installations of Swiss Madison® products to be conducted by a licensed plumber or contractor. Swiss Madison® will not be held responsible for any damage or product failure due to improper installation, misuse, or failure to utilize a licensed plumber or contractor for installation. Swiss Madison® is not responsible for any installation or removal costs.

THIS ONE-YEAR LIMITED WARRANTY WILL BE VOIDED IF:

- The installation instructions were not followed by the installer
- The product has been moved from its initial place of installation
- The product has in any way been modified from its original condition
- The product has been subjected to improper maintenance, abuse, misuse, excessive use of chemicals, accidents, or other damages

Swiss Madison® makes no warranty that its products comply with any local building or plumbing codes. It is the consumer's responsibility and obligation to determine local code compliance prior to and during installation.

Swiss Madison® is not responsible for any special, incidental or consequential damages associated with the installation, replacement, return or use of the original purchaser's product. This includes, but is not limited to: freight costs, labor, travel time, lost profit, home damages and other contingent liabilities and costs (including, without limitation, costs associated with 'professionals' or 'experts', investigations, audits, analyses, attorneys and any other professional/hired services). Some states do not allow the exclusion or limitation of incidental or consequential damages, so the above limitation or exclusion may not apply to you.

The Swiss Madison® warranty is a comprehensive and explicit limit of liability. All other warranties are hereby disclaimed and waived.

QUESTIONS OR CONCERNS? Please contact us directly at: 1-434-MADISON (623-4766)



WARNING:

Contents of your order may contain sharp and possibly other harmful pieces and may cause hazard to children and adults. Swiss Madison® is not responsible in any way for personal injuries or damages.