

G5510 Bed Articulating Head Rails

en Model G32
User Manual

General

Symbols

Signal words are used in this manual and apply to hazards or unsafe practices which could result in personal injury or property damage. See the information below for definitions of the signal words.



DANGER!

– Danger indicates an imminently hazardous situation which, if not avoided, will result in death or serious injury.



WARNING!

– Warning indicates a potentially hazardous situation which, if not avoided, could result in death or serious injury.



CAUTION!

– Caution indicates a potentially hazardous situation which, if not avoided, may result in property damage or minor injury or both.



Gives useful tips, recommendations and information for efficient, trouble-free use.

Safety

General Guidelines



Not intended for users who are able to sit on the side of the bed.



DANGER!

Risk of Death, Injury or Damage

Improper use of this product may cause death, injury or damage.

- If you are unable to understand the warnings, cautions or instructions, contact a healthcare professional, dealer or technical personnel before attempting to use this equipment.
- Do not use this product or any available optional equipment without first completely reading and understanding these instructions and any additional instructional material such as user manuals, service manuals or instruction sheets supplied with this product or optional equipment.

Continued use of the product with damaged parts could lead to the product malfunctioning, causing injury to the user and/or caregiver.

- Check ALL product components and carton for damage, and test components before use. DO NOT use product if components are damaged or if product is not working properly. Contact a qualified technician or Invacare for repair.



**WARNING!****Risk of Injury or Damage**

Set-up by unqualified technicians may result in injury or damage

- Set-up instructions **MUST** be performed by a qualified technician only.

**DANGER!****Risk of Injury or Death**

Bed accessories designed by other manufacturers have **NOT** been tested by Invacare. Use of **NON-Invacare** bed accessories may result in injury or death.

- Use **ONLY** Invacare rails, mattresses, bed extenders and other accessories with Invacare bed products.
- Incompatible side rails can create hazards. Read instructions for use.



THE INFORMATION CONTAINED IN THIS DOCUMENT IS SUBJECT TO CHANGE WITHOUT NOTICE.

**DANGER!****Risk of Death, Injury or Damage**

Variations in bed rail dimensions, and mattress thickness, size or density could increase the risk of entrapment.

- Proper patient assessment and monitoring, and proper maintenance and use of equipment is required to reduce the risk of entrapment.
- Visit the FDA website at <http://www.fda.gov> to learn about the risks of entrapment. Review “A Guide to Bed Safety”, published by the Hospital Bed Safety Workgroup. Use the link located under each bed rail product entry to access this bed’s safety guide.
- Refer to the user manuals for beds and rails for additional product and safety information.

**DANGER!****Risk of Death, Injury or Adverse Health Consequences**

Fall hazard exists due to incorrect installation of bed rails

- To avoid injury, ensure that the Invacare bed rails are installed correctly and securely attached to the bed while entering or exiting.

Fall hazard exists due to use of **NON-Invacare** bed rails. **NON-Invacare** bed rails are potentially incompatible with Invacare beds.

- To avoid injury, ensure that only Invacare bed rails are used with Invacare beds at all times.

**DANGER!****Risk of Death, Injury or Damage**

Patient entrapment from the use of bed side rails may cause injury or death. To avoid patient entrapment:

- The Invacare mattress **MUST** fit firmly against the bed frame **AND** bed side rails to prevent patient entrapment. Follow the manufacturer’s instructions. Monitor patient frequently. Read and understand the User Manual prior to using the Invacare bed and bed rails. User manuals are available at www.invacare.com or your dealer.
- After any adjustments, repair or service and before use, make sure all attaching hardware is tightened securely.

**DANGER!****Risk of Death, Injury or Damage**

To avoid entrapment, product damage, and/or personal injury:

- When used with a manual/electric bed, the bed rails **DO NOT** fall under any weight limitations. Bed rails can be deformed or broken if excessive side pressure is exerted on the bed rails. These bed rails are used for the purpose of preventing an individual from inadvertently rolling out of bed. The bed rails are not intended nor may be used for restraint purposes. If an individual is capable of injuring himself/herself, a physician or a healthcare professional should be consulted for alternative means of safe restraint.
- After raising/lowering the head/foot end of the electric bed, check the distance between the bottom of the bed rail and the mattress. If there is excessive distance between the bottom of the bed rail and the mattress in which individuals may become entangled, adjust the height of the bed rail (if applicable), or provide alternative means of patient protection.
- **DO NOT** use the side rails as push handles for moving the electric bed.
- Replacement mattresses and bed side rails with dimensions different from the original equipment supplied or specified by the bed frame manufacturer are not interchangeable. Variations in bed side rail design, width and thickness or firmness of the mattress could cause/contribute to entrapment.

**DANGER!****Risk of Death, Injury or Damage**

Conditions such as restlessness, mental deterioration and dementia or seizure disorders (uncontrolled body movement), sleeping problems, and incontinence can significantly impact a patient’s risk of entrapment. Pediatric patients or patients with small body size may also have an increased risk of entrapment.

- Monitor patients with these conditions frequently.
- Place mattress deck in the flat position when left unattended.

**DANGER!****Risk of Death, Injury or Damage**

To avoid death, injury or damage due to improper maintenance or inspection. Always maintain and inspect equipment per the instructions in this manual. Contact a qualified technician or Invacare if any of the following issues are present:

- Loose or missing parts such as end caps, knobs, bolts, screws etc., should be secured or replaced.
- Sharp edges or surfaces should be corrected or replaced.
- Parts showing excessive wear should be replaced.
- Warped or otherwise damaged parts should be replaced immediately.

**DANGER!****Risk of Death, Injury or Damage**

To avoid pinching, crush and collapse hazards from bed deck contact with objects under the bed:

- DO NOT place any objects or let any individual underneath the bed or in between the raised bed frame components at any time.

To avoid choking from small detachable parts contained underneath the bed:

- Closely supervise children, pets or people with physical/mental disabilities.

**DANGER!****Risk of Death**

To avoid entrapment or personal injury:

- G32 rails are to be used on Head section only.
- DO NOT use these rails on foot section.
- DO NOT use these rails in combination with any other rails.

**WARNING!****Risk of Minor to Serious Injury**

Pinch points can cause minor to serious injury.

- Be mindful of potential pinch points and use caution when using this product.

Setup

Qualified Technicians Only

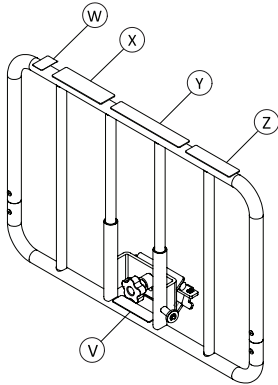


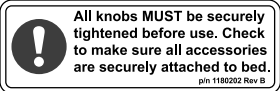

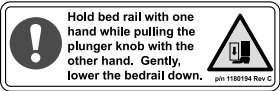
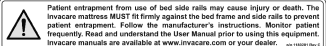

WARNING!

Risk of Injury or Damage

Set-up by unqualified technicians may result in injury or damage
 – The procedures in this Set Up section **MUST** be performed by a qualified technician.

Label Locations



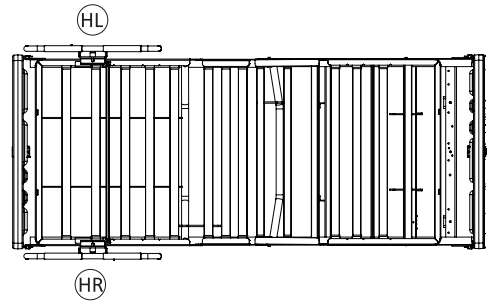
ITEM	PART NUMBER	DESCRIPTION
V	1180202	Accessories Secured Label 
W	1079203	Pinch Point Warning Label 
X	1180194	Foot Crush Warning Label 
Y	1180201	Patient Entrapment Warning Label 
Z	60101880	Bed Rail Entrapment Danger Label 



Labels may change without notice. Contact Invacare if labels are missing or unreadable.

Component Identification

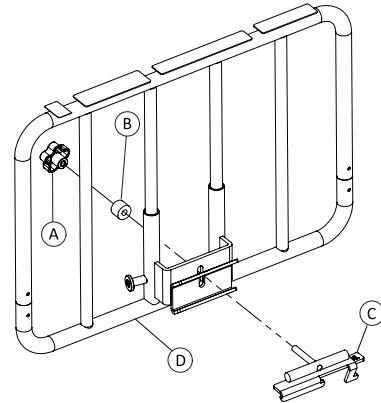
Right Side and Left Side Identification



Right Side and Left Side of the bed are determined by sitting/lying in the bed.

There are two bed rails: Head Rail Right Side and Head Rail Left Side. Each rail is unique and built to mount only in its designated location (Example: The Head Rail Right Side will only mount on the right side of the head section. It will not mount on the left side of the head section. The head rail right side is identified by "HR" embossed on attaching bracket.

Bed Rail and Attaching Hardware



- For ease of installation, separate the individual components:

Knob A	Attaching Bracket C
Spacer B	Bed Rail D



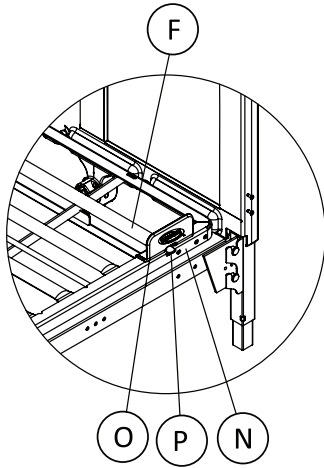
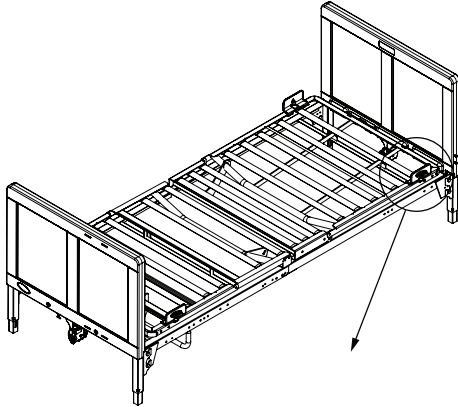
Ensure to use correct attaching bracket C with rail D.

Attaching Bracket	Bed Rail
HR	Head Section Right
HL	Head Section Left

Moving the Mattress Keepers

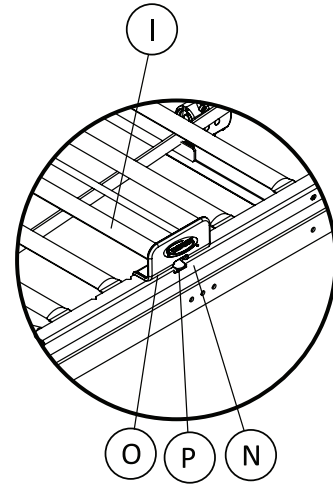
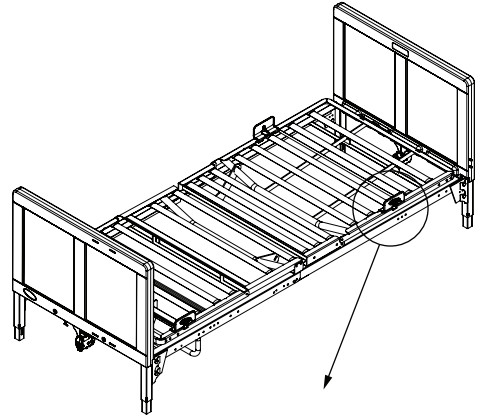
i Mattress keepers are positioned on the first crossmember from the end of the head section and the foot section. When using the G32 bed rails, the mattress keepers located on the head section must be re-positioned to the fourth crossmember to accommodate the mounting bracket of the bed rails.

Removing



1. Grasp mattress keeper **Ⓞ** and lift tab **Ⓟ** up to release from outer edge **Ⓝ** of the bed frame.
2. Slide mattress keeper off of first crossmember **ⓕ** from foot end.

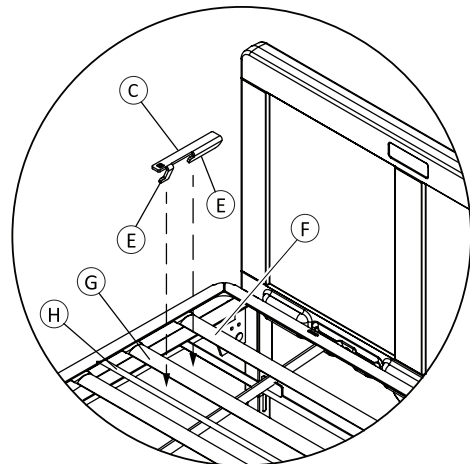
Installing



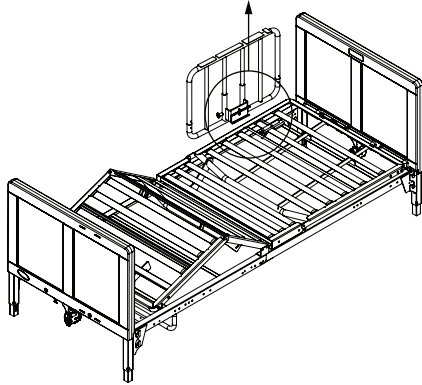
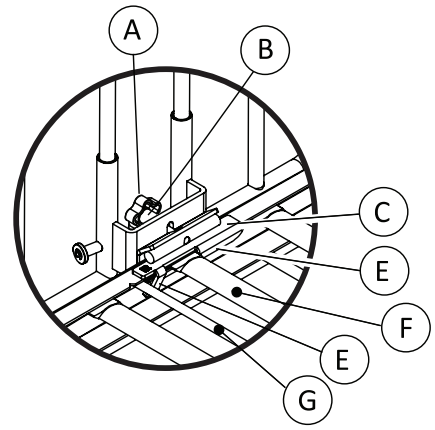
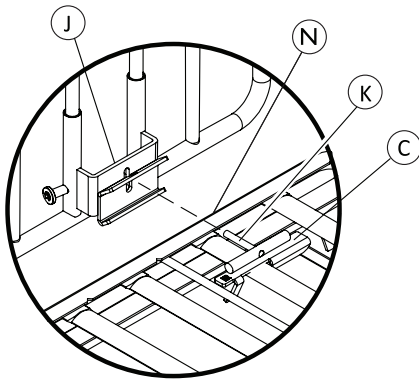
1. Position mattress keeper **Ⓞ** over fourth crossmember **Ⓡ** from the foot end.
2. Slide mattress keeper back until tab **Ⓟ** locks onto outer edge **Ⓝ** of the bed frame.

Installing/Removing the VA Bed Rails

Installing the Head End Right Side Bed Rail



1. Position the two "L" brackets **ⓔ** on the attaching bracket **Ⓢ** between crossmembers one **ⓕ** and two **Ⓢ**, two **Ⓢ** and three **ⓗ**.

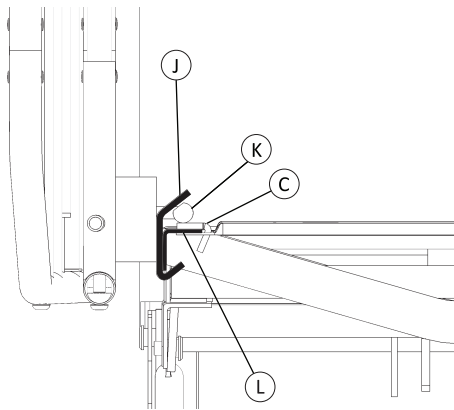


3. Slide the bed rail assembly (bed rail and attaching bracket) toward the footboard engaging the two “L” brackets (E) of the attaching bracket (C) underneath the second (G) and third (H) crossmembers.
4. Install spacer (B) and knob (A) onto the attaching bracket.
5. Securely tighten the knob.
6. Repeat steps 1–5 to install Head End Left Side Rail onto the left side of the head section.

Bed Rail Installed

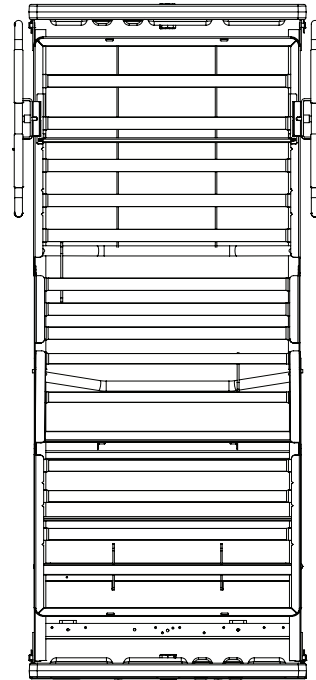
i For easier installation, the end of the threaded rod on the “T” bracket (K) should be inside the outer edge (N) of the bed frame.

SIDE VIEW OF BED RAIL INSTALLED ON BED FRAME



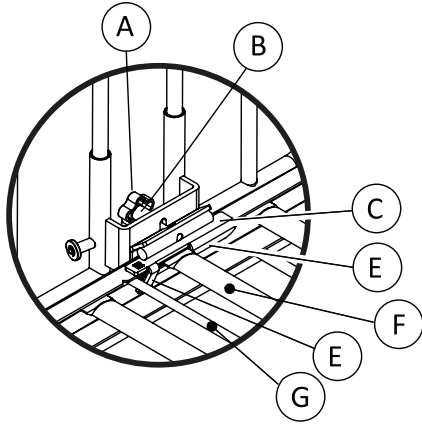
2. While hooking the bed rail clamp (J) onto the bed frame (L), slide the attaching bracket toward the bed rail and slide the “T” bracket (K) of the attaching bracket (C) through the bed rail clamp (J).

HEAD END

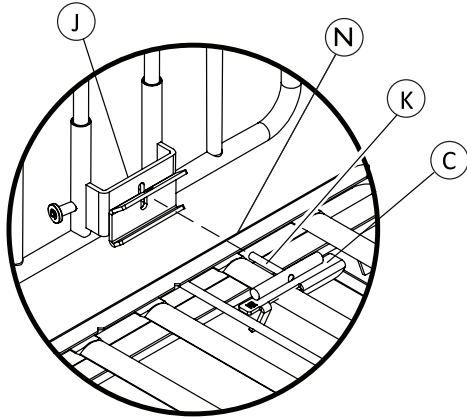


FOOT END

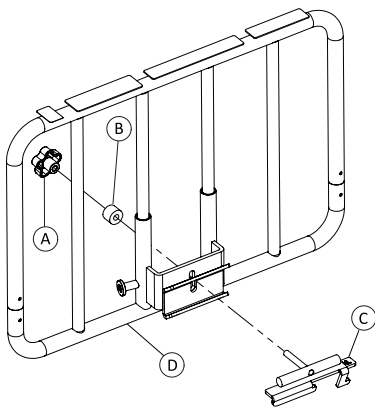
Removing the Bed Rails



1. Remove the spacer **B** and knob **A** from the attaching bracket **C** and set aside.
2. Slide the bed rail assembly (bed rail and attaching bracket) toward the headboard to disengage the two “L” brackets **E** of the attaching bracket **C** underneath the second **G** and third **H** crossmembers.



3. While holding the bed rail, slide the attaching bracket **C** toward the center of the bed disengaging the “T” bracket **K** from the bed rail clamp **J**.
4. Remove the bed rail and attaching bracket from the bed frame and set aside.



5. After removing the bed rails, re-assemble the individual components to the bed rail for safe keeping.

- Knob **A**
- Spacer **B**
- Attaching Bracket **C**
- Bed Rail **D**

Operation

Usage

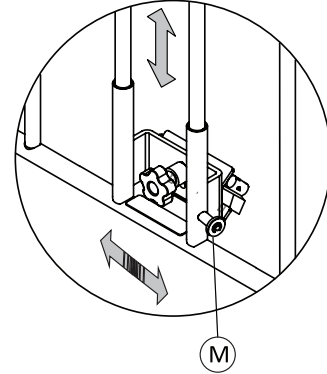


DANGER!

Risk of Death, Injury or Damage

To avoid entrapment, damage, and/or personal injury:

- These bed rails are intended to prevent an individual from inadvertently rolling out of bed. DO NOT use for restraint purposes.
- DO NOT use the bed rails as push handles when moving the bed.



1. To change the position of the rail, hold and raise/lower the rail with one hand while pulling the adjustment knob **M** outward with the other hand.



Ensure the adjustment knob is positioned properly in the rail before releasing the rail.

Maintenance

Cleaning and Care

Invacare recommends maintenance and cleaning procedures be conducted initially, between users, on a regular schedule and as needed.

Sanitizing Method

All surfaces may be cleaned with:

- Soapy water
- Any common consumer disinfecting product
- Most non-abrasive commercially available disinfecting products

Maintenance Check

- Verify the function of the adjustment knob assembly. Ensure the knob is free of dirt and/or foreign material that could impair its function.
- Ensure that the rails engage and lock as specified.
- Tighten, adjust or replace any parts such as end caps, knobs, bolts, screws, etc. that are loose, show signs of wear or are missing.

Environmental Conditions for Storage

Store the rail in a clean and dry environment with an ambient temperature range between 15° and 30° Celsius (59° to 86° F).

Environmental Conditions for Transport

Transport the rail in a clean and dry environment.

Disposal

Disposal

When the product can no longer be used, the product, accessories and the packaging materials should be sorted correctly. Please be environmentally responsible and recycle this product through your recycling facility at its end of life.

The disposal and recycling of used devices and packaging must comply with the applicable legal regulations.

Warranty

Limited Warranty



PLEASE NOTE: THE WARRANTY BELOW HAS BEEN DRAFTED TO COMPLY WITH FEDERAL LAW APPLICABLE TO PRODUCTS MANUFACTURED AFTER JULY 4, 1975.

This warranty is extended only to the original purchaser/user of our products.

This warranty gives you specific legal rights and you may also have other legal rights which vary from state to state.

Invacare warrants its product to be free from defects in materials and workmanship for one year for the original purchaser. If within such warranty period any such product shall be proven to be defective, such product shall be repaired or replaced, at Invacare's option. This warranty does not include any labor or shipping charges incurred in replacement part installation or repair of any such product. Invacare's sole obligation and your exclusive remedy under this warranty shall be limited to such repair and/or replacement.

For warranty service, please contact the dealer from whom you purchased your Invacare product. In the event you do not receive satisfactory warranty service, please write directly to Invacare at the address on the back page. Provide dealer's name, address, model number, and the date of purchase, indicate nature of the defect and, if the product is serialized, indicate the serial number.

Invacare Corporation will issue a return authorization. The defective unit or parts must be returned for warranty inspection using the serial number, when applicable, as identification within thirty (30) days of return authorization date. DO NOT return products to our factory without our prior consent. C.O.D. shipments will be refused; please prepay shipping charges.

LIMITATIONS AND EXCLUSIONS: THE WARRANTY SHALL NOT APPLY TO PROBLEMS ARISING FROM NORMAL WEAR OR FAILURE TO ADHERE TO THE ENCLOSED INSTRUCTIONS. IN ADDITION, THE FOREGOING WARRANTY SHALL NOT APPLY TO SERIAL NUMBERED PRODUCTS IF THE SERIAL NUMBER HAS BEEN REMOVED OR DEFACED; PRODUCTS SUBJECTED TO NEGLIGENCE, ACCIDENT, IMPROPER OPERATION, MAINTENANCE OR STORAGE; OR PRODUCTS MODIFIED WITHOUT INVACARE'S EXPRESS WRITTEN CONSENT INCLUDING, BUT NOT LIMITED TO: MODIFICATION THROUGH THE USE OF UNAUTHORIZED PARTS OR ATTACHMENTS; PRODUCTS DAMAGED BY REASON OF REPAIRS MADE TO ANY COMPONENT WITHOUT THE SPECIFIC CONSENT OF INVACARE; PRODUCTS DAMAGED BY CIRCUMSTANCES BEYOND INVACARE'S CONTROL; PRODUCTS REPAIRED BY ANYONE OTHER THAN AN INVACARE DEALER, SUCH EVALUATION SHALL BE SOLELY DETERMINED BY INVACARE.

THE FOREGOING EXPRESS WARRANTY IS EXCLUSIVE AND IN LIEU OF ALL OTHER EXPRESS WARRANTIES WHATSOEVER, WHETHER EXPRESS OR IMPLIED, INCLUDING THE IMPLIED WARRANTIES OF MERCHANTABILITY AND FITNESS FOR A PARTICULAR PURPOSE AND THE SOLE REMEDY FOR VIOLATIONS OF ANY WARRANTY WHATSOEVER, SHALL BE LIMITED TO REPAIR OR REPLACEMENT OF THE DEFECTIVE PRODUCT PURSUANT TO THE TERMS CONTAINED HEREIN. THE APPLICATION OF ANY IMPLIED WARRANTY WHATSOEVER SHALL NOT EXTEND BEYOND THE DURATION OF THE EXPRESS WARRANTY PROVIDED HEREIN. INVACARE SHALL NOT BE LIABLE FOR ANY CONSEQUENTIAL OR INCIDENTAL DAMAGES WHATSOEVER.

THIS WARRANTY SHALL BE EXTENDED TO COMPLY WITH STATE/PROVINCIAL LAWS AND REQUIREMENTS.

Invacare Corporation

USA

One Invacare Way
Elyria, Ohio USA
44035
800-333-6900

www.invacare.com

Canada

570 Matheson Blvd E. Unit 8
Mississauga Ontario
L4Z 4G4 Canada
800-668-5324

©2018 Invacare Corporation

All rights reserved. Republication, duplication or modification in whole or in part is prohibited without prior written permission from Invacare. Trademarks are identified by ™ and ®. All trademarks are owned by or licensed to Invacare Corporation or its subsidiaries unless otherwise noted.

Making Life's Experiences Possible is a registered trademark in the U.S.A.



60105588-A 2018-10-23



Making Life's Experiences Possible®



Yes, you can.®